



US00D684210S

(12) **United States Design Patent**  
**Boyle et al.**

(10) **Patent No.:** **US D684,210 S**  
(45) **Date of Patent:** **\*\* Jun. 11, 2013**

(54) **CAMERA MOUNTING AND POSITIONING  
DEVICE**

(75) Inventors: **Christopher T. Boyle**, San Antonio, TX  
(US); **Scott Taylor**, San Antonio, TX  
(US); **Alexander G. Sammons**, San  
Antonio, TX (US); **John T.**  
**O’Callaghan**, San Antonio, TX (US);  
**Christian Elder**, Baltimore, MD (US)

(73) Assignee: **H4 Engineering, Inc.**, San Antonio, TX  
(US)

(\*\*) Term: **14 Years**

(21) Appl. No.: **29/414,908**

(22) Filed: **Mar. 5, 2012**

(51) **LOC (9) Cl.** ..... **16-05**

(52) **U.S. Cl.**  
USPC ..... **D16/242**

(58) **Field of Classification Search**  
USPC ..... D16/219, 235, 237, 242–245, 250,  
D16/200–204, 208; D14/217, 240, 511;  
248/176.1, 177.1, 178.1, 179.1, 180.1, 183.1,  
248/187.1, 683; 348/373, 375; 396/419–420,  
396/535; D8/394, 395; D13/156

See application file for complete search history.

(56) **References Cited**

U.S. PATENT DOCUMENTS

D412,338	S	*	7/1999	Goto et al.	.....	D16/239
D478,608	S	*	8/2003	Briks et al.	.....	D16/237
D492,295	S	*	6/2004	Glatt	.....	D14/240
D529,447	S	*	10/2006	Greenfield	.....	D13/156
D606,492	S	*	12/2009	Steinfels	.....	D13/119
D653,693	S	*	2/2012	Jannard et al.	.....	D16/243
D658,700	S	*	5/2012	Jannard et al.	.....	D16/237

\* cited by examiner

*Primary Examiner* — Susan Bennett Hattan

*Assistant Examiner* — Vy Koenig

(74) *Attorney, Agent, or Firm* — Michael D. Volk, Jr.

(57) **CLAIM**

The ornamental design for a camera mounting and position-  
ing device, as shown and described.

**DESCRIPTION**

FIG. 1 is an isometric perspective view from the right and  
front of our new design;

FIG. 2 is a back elevation view thereof;

FIG. 3 is a front elevation view thereof;

FIG. 4 is a right side elevation view thereof;

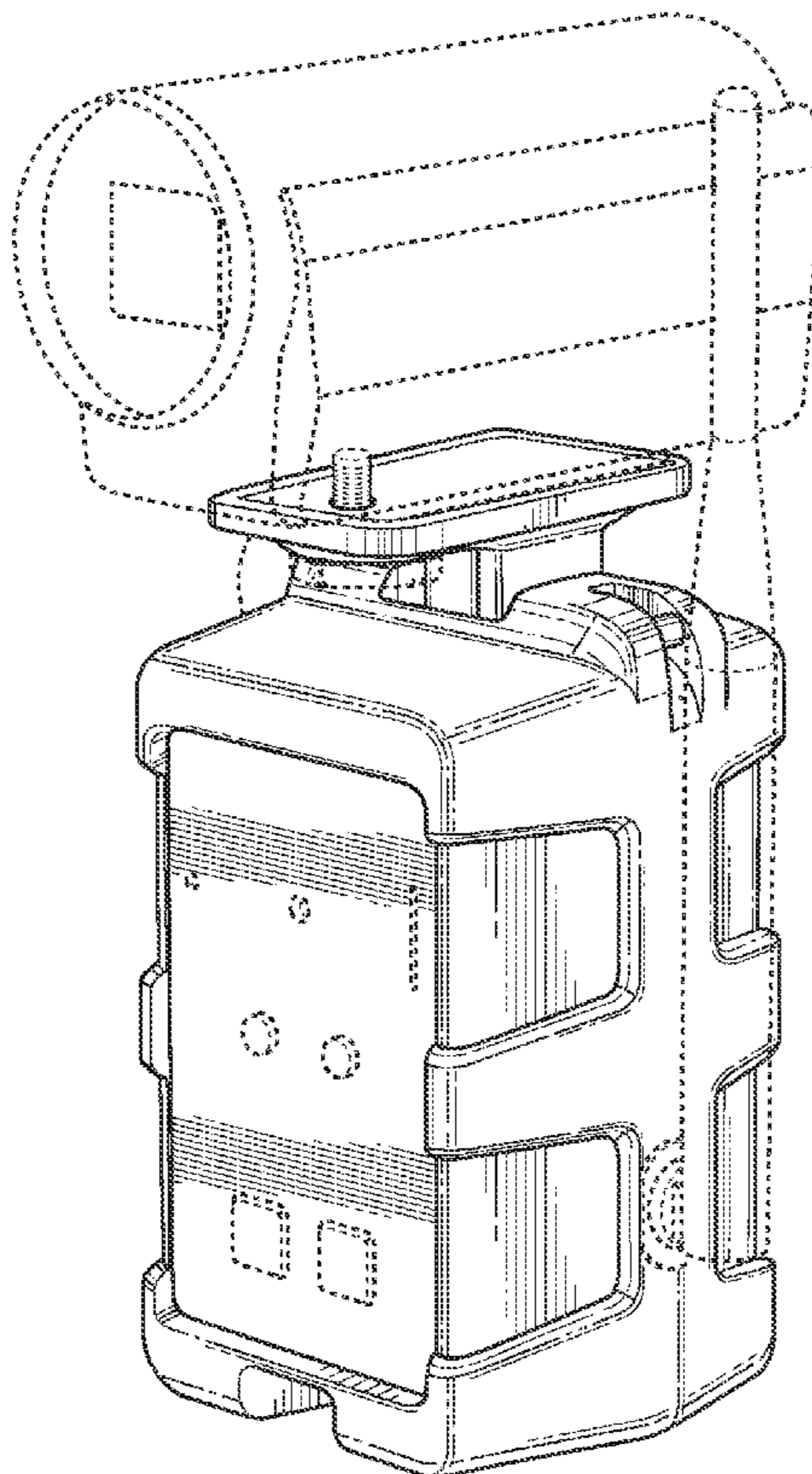
FIG. 5 is a left side elevation view thereof;

FIG. 6 is a top plan view thereof; and,

FIG. 7 is a bottom plan view thereof.

The broken lines in the drawings depict features that form no  
part of the claimed design.

**1 Claim, 4 Drawing Sheets**



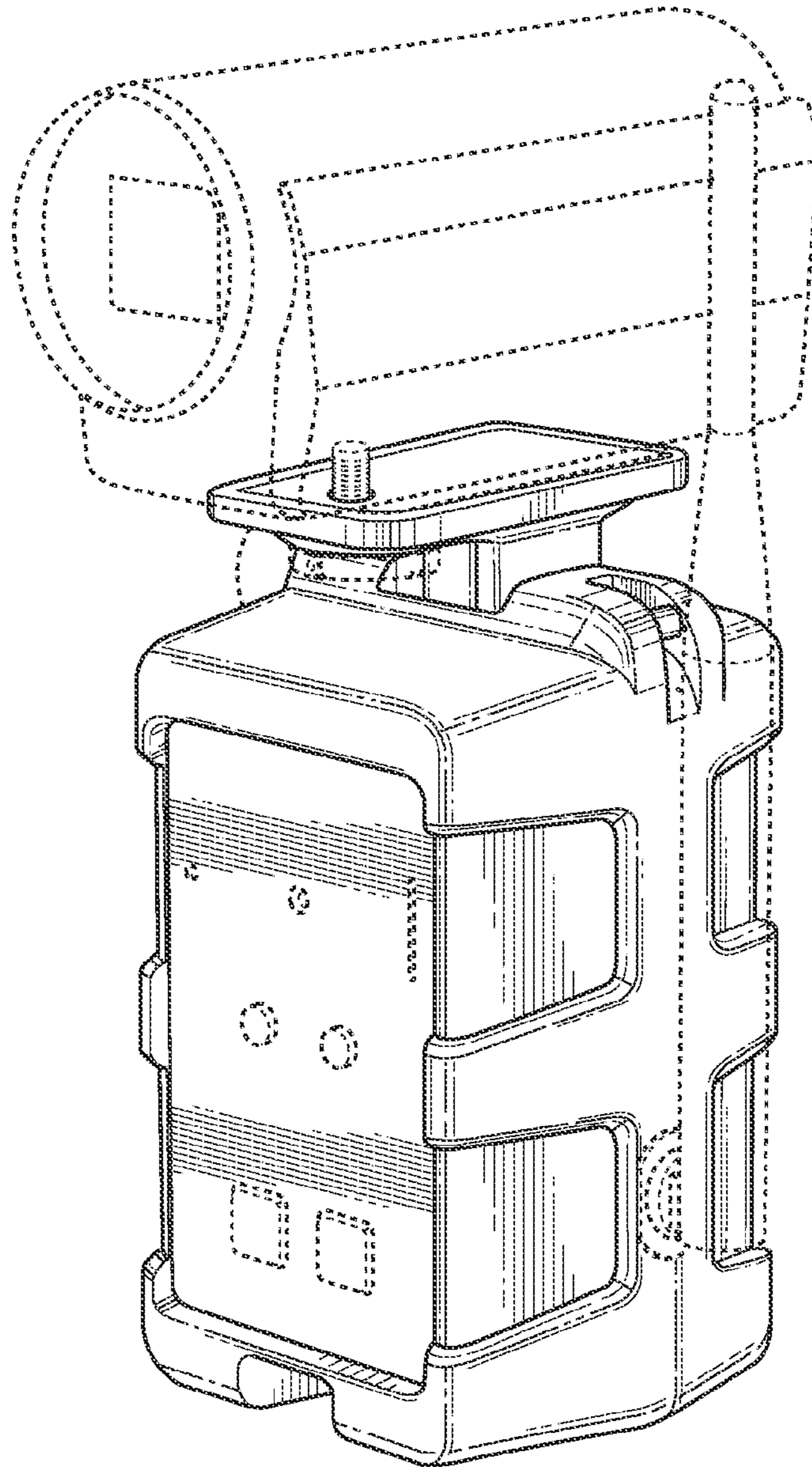


FIG. 1

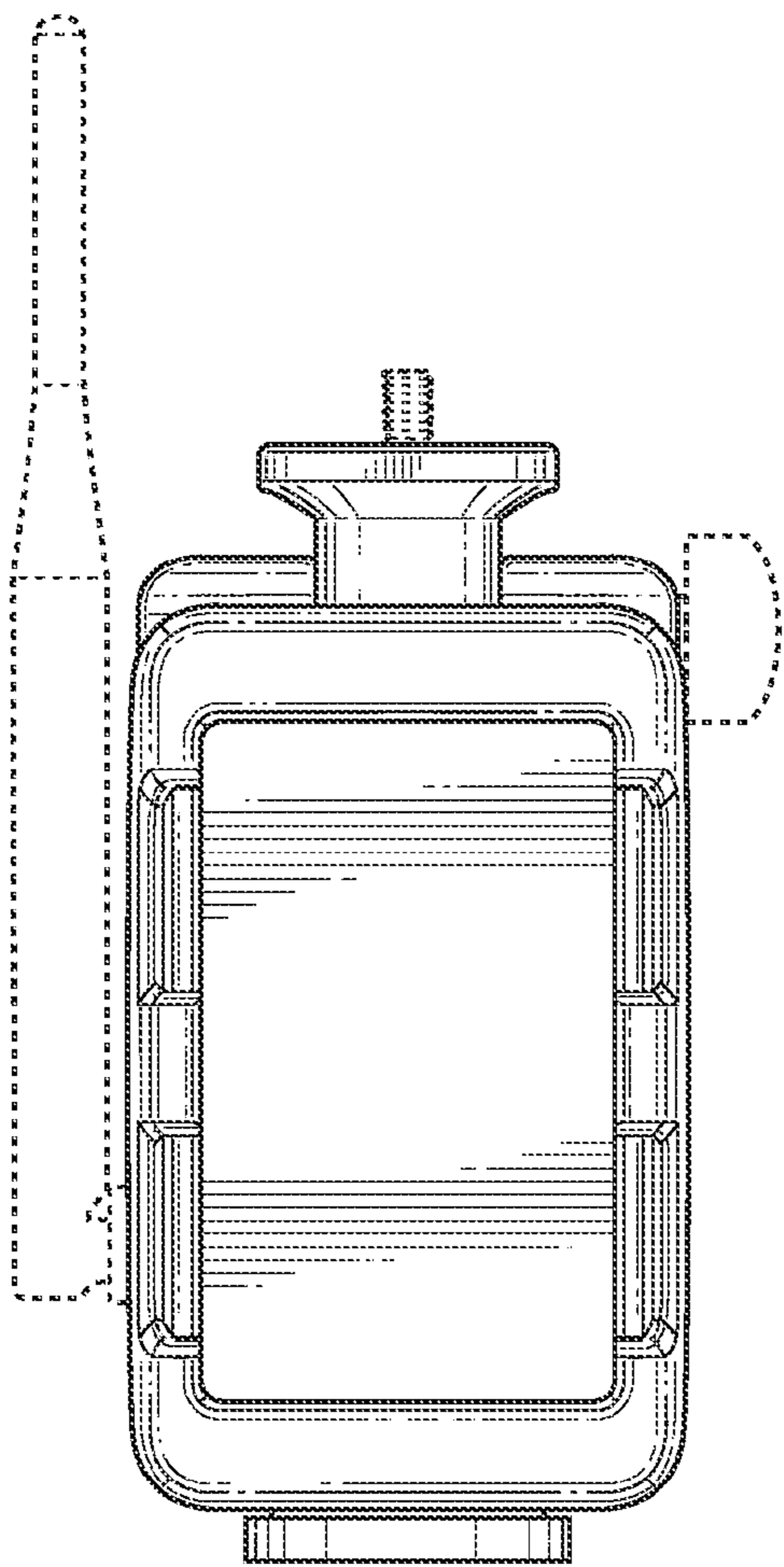


FIG. 2

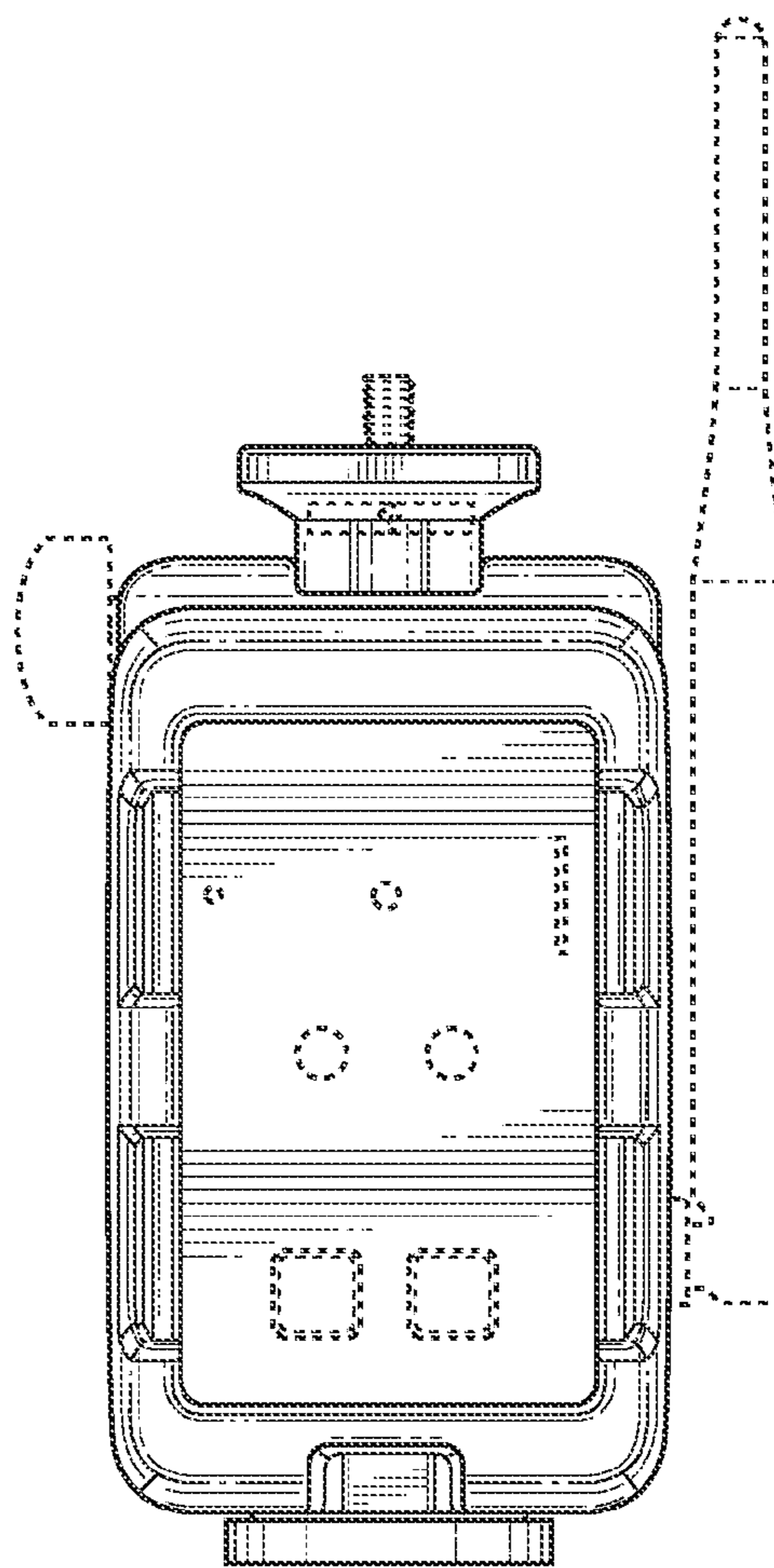


FIG. 3

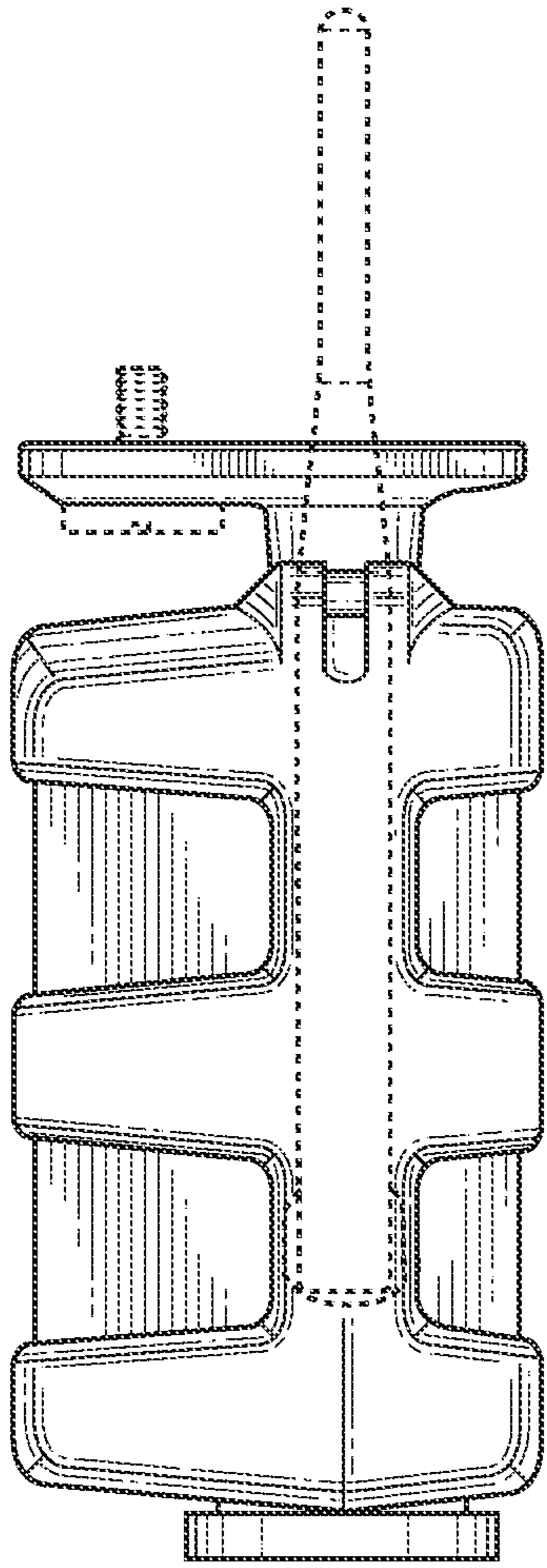


FIG. 4

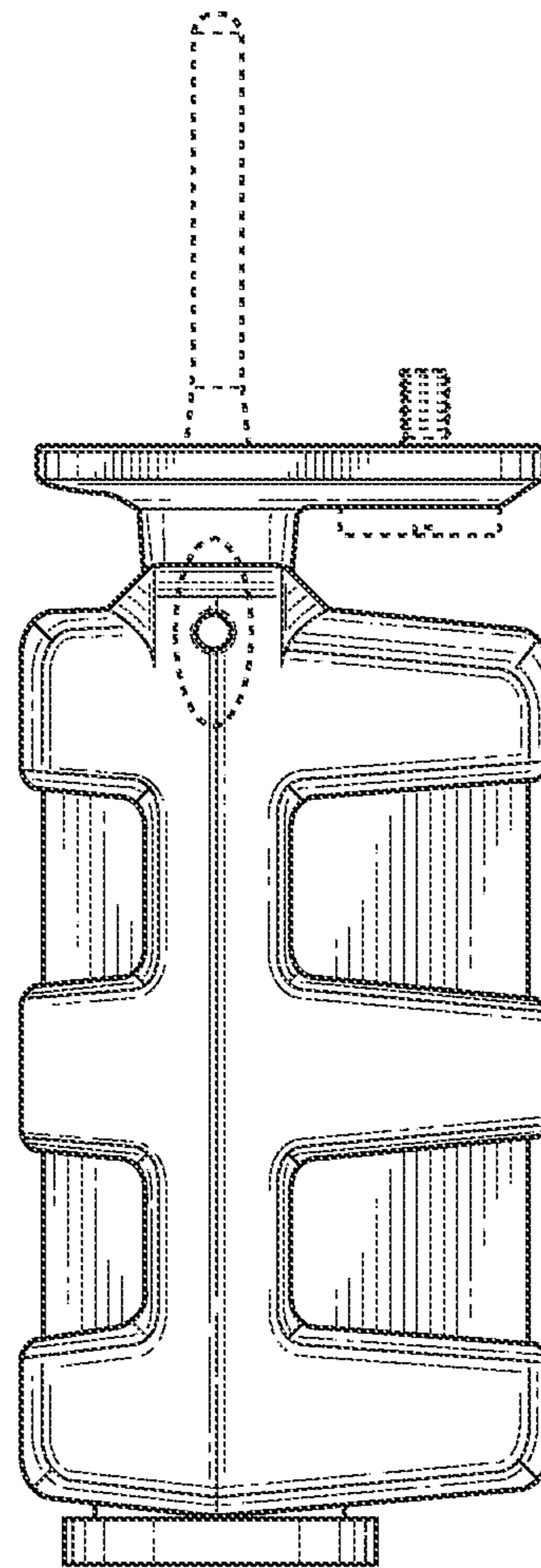


FIG. 5

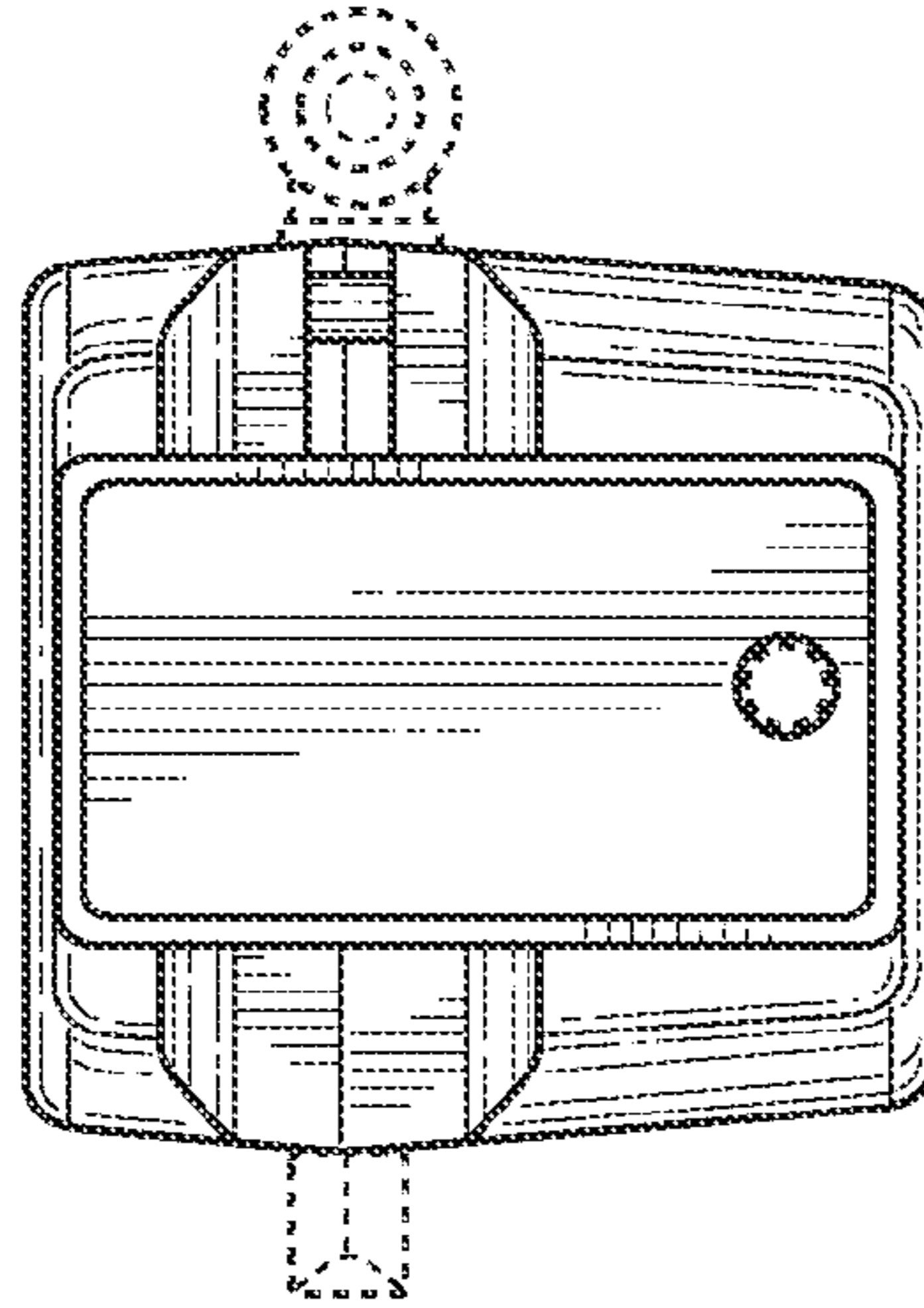


FIG. 6

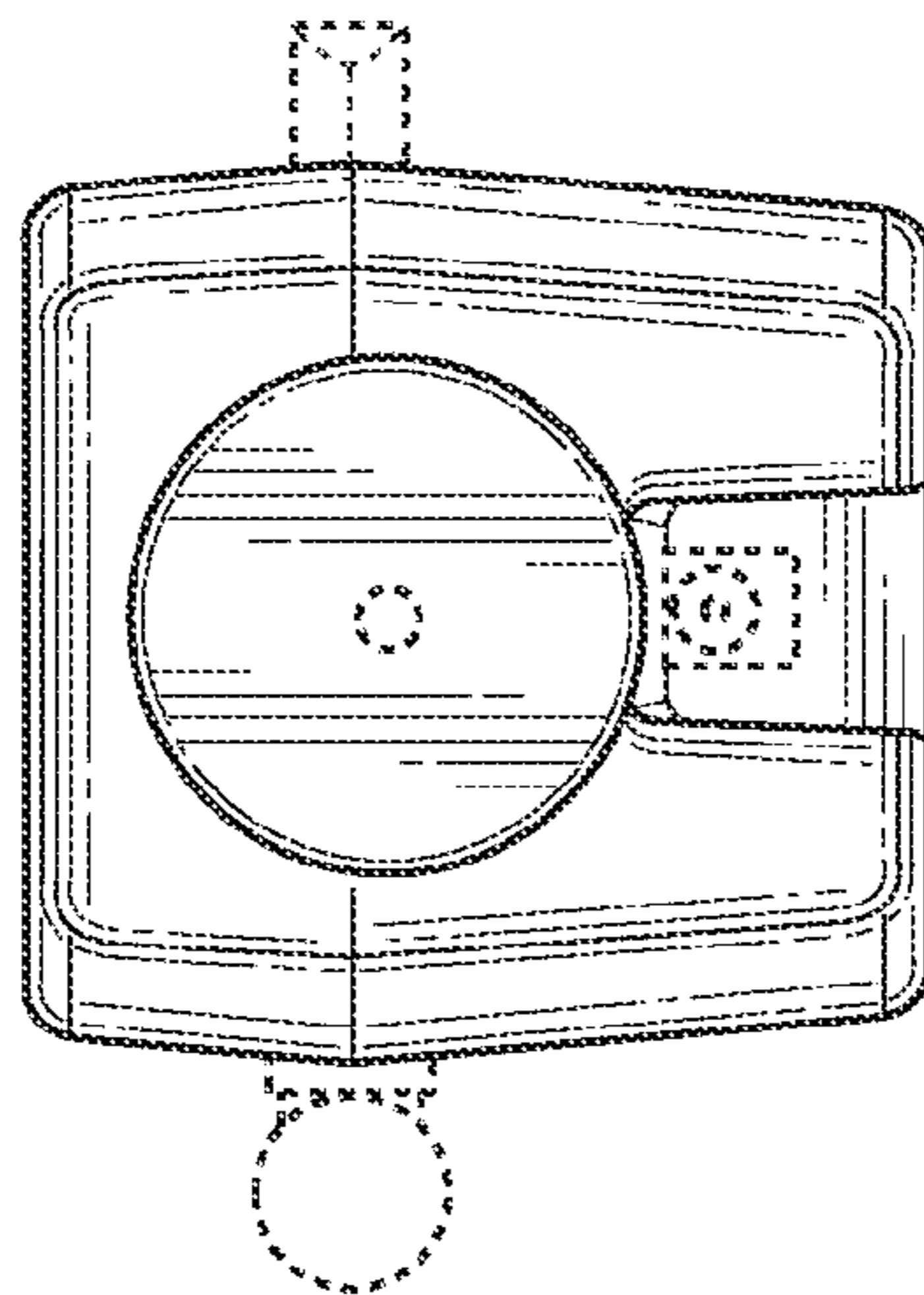


FIG. 7