



US00D684209S

(12) **United States Design Patent**  
**Measom et al.**

(10) **Patent No.:** **US D684,209 S**  
(45) **Date of Patent:** **\*\* Jun. 11, 2013**

(54) **PORTABLE SCREEN**

(75) Inventors: **Ty Measom**, Logan, UT (US); **Brett Bennett**, Mantua, UT (US)

(73) Assignee: **Peak Trades, L.L.C.**, Hyde Park, UT (US)

(\*\*) Term: **14 Years**

(21) Appl. No.: **29/422,012**

(22) Filed: **May 15, 2012**

(51) **LOC (9) Cl.** ..... **16-05**

(52) **U.S. Cl.**  
USPC ..... **D16/241**

(58) **Field of Classification Search**  
USPC ..... D16/241; D20/10, 34, 40, 41, 43,  
D20/99; D6/300; D8/363, 367, 380, 394;  
160/24, 240; 223/85, 87, 91; 248/170, 171;  
359/443, 461; 350/117  
See application file for complete search history.

(56) **References Cited**

**U.S. PATENT DOCUMENTS**

1,902,373	A *	3/1933	Pineo	.....	160/24
1,917,369	A *	7/1933	Heck	.....	160/24
2,272,269	A *	2/1942	Heck	.....	160/24
2,611,427	A *	9/1952	Du Mais et al.	.....	160/329
3,324,928	A *	6/1967	Muller	.....	160/24
4,017,152	A *	4/1977	Allen	.....	359/443
D323,338	S *	1/1992	Court	.....	D16/241
D552,181	S *	10/2007	Spennare	.....	D20/41
D558,814	S *	1/2008	Wiener	.....	D16/241

D607,916	S *	1/2010	Orion	.....	D16/241
7,773,298	B2 *	8/2010	Miyagawa et al.	.....	359/443
8,024,881	B2 *	9/2011	Redmon	.....	40/610

\* cited by examiner

*Primary Examiner* — Philip S Hyder

*Assistant Examiner* — Darlington Ly

(74) *Attorney, Agent, or Firm* — Peck Hadfield Baxter & Moore, LLC; Preston P. Frischknecht

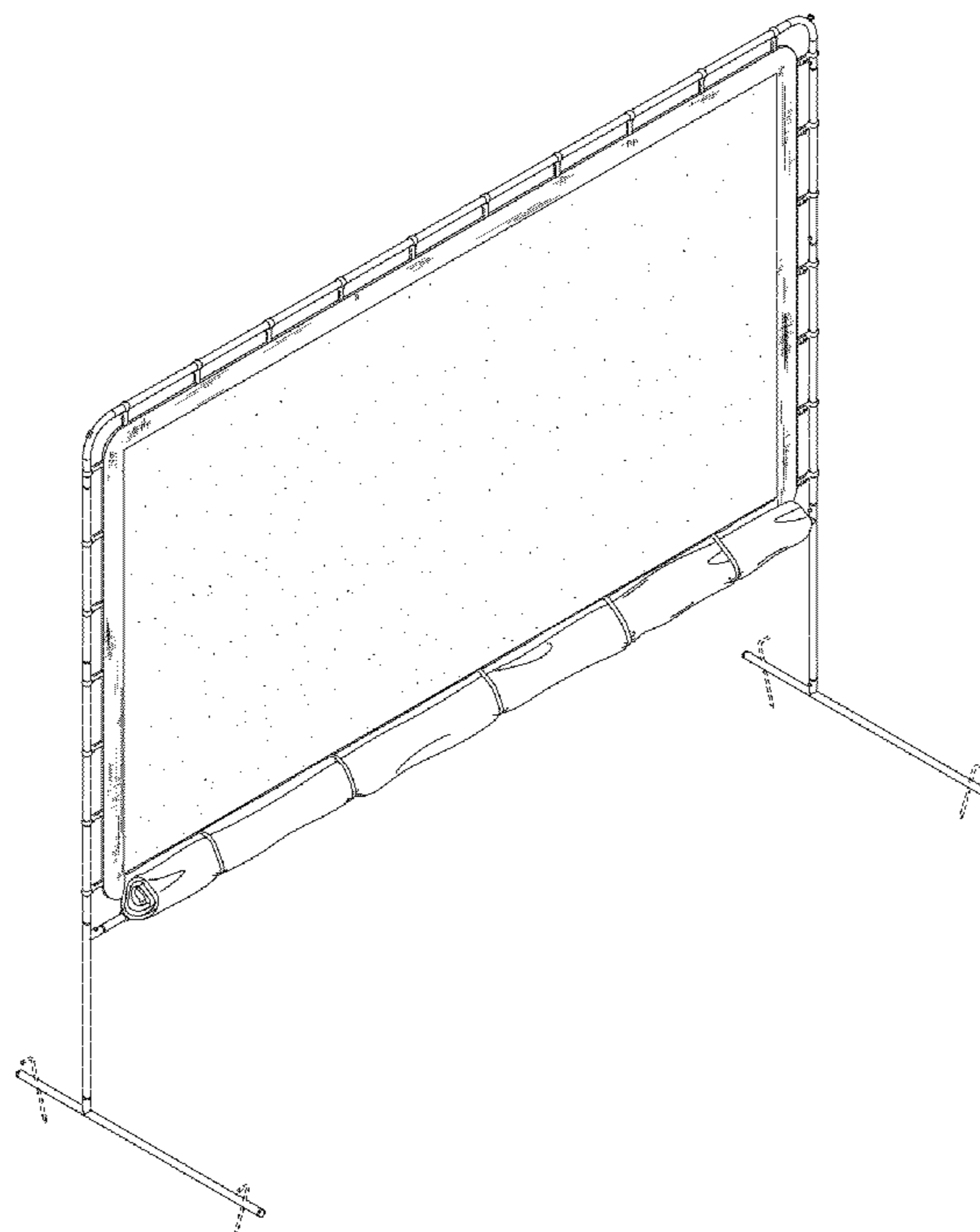
(57) **CLAIM**

The ornamental design for a portable screen, as shown and described.

**DESCRIPTION**

FIG. 1 is a fully assembled front view showing the design; FIG. 2 is a fully assembled back view showing the design with a cover up and over the screen; FIG. 3 is a fully assembled side right view showing the design; FIG. 4 is a fully assembled side left view showing the design; FIG. 5 is a fully assembled top view showing the design; FIG. 6 is a fully assembled bottom view showing the design; FIG. 7 is a fully assembled isometric view showing the design, in an alternate view showing the cover stowed; and, FIG. 8 is a fully assembled isometric view showing the design with the cover up and over the screen. The broken lines illustrate environmental structure that forms no part of the claimed design for a portable screen.

**1 Claim, 6 Drawing Sheets**



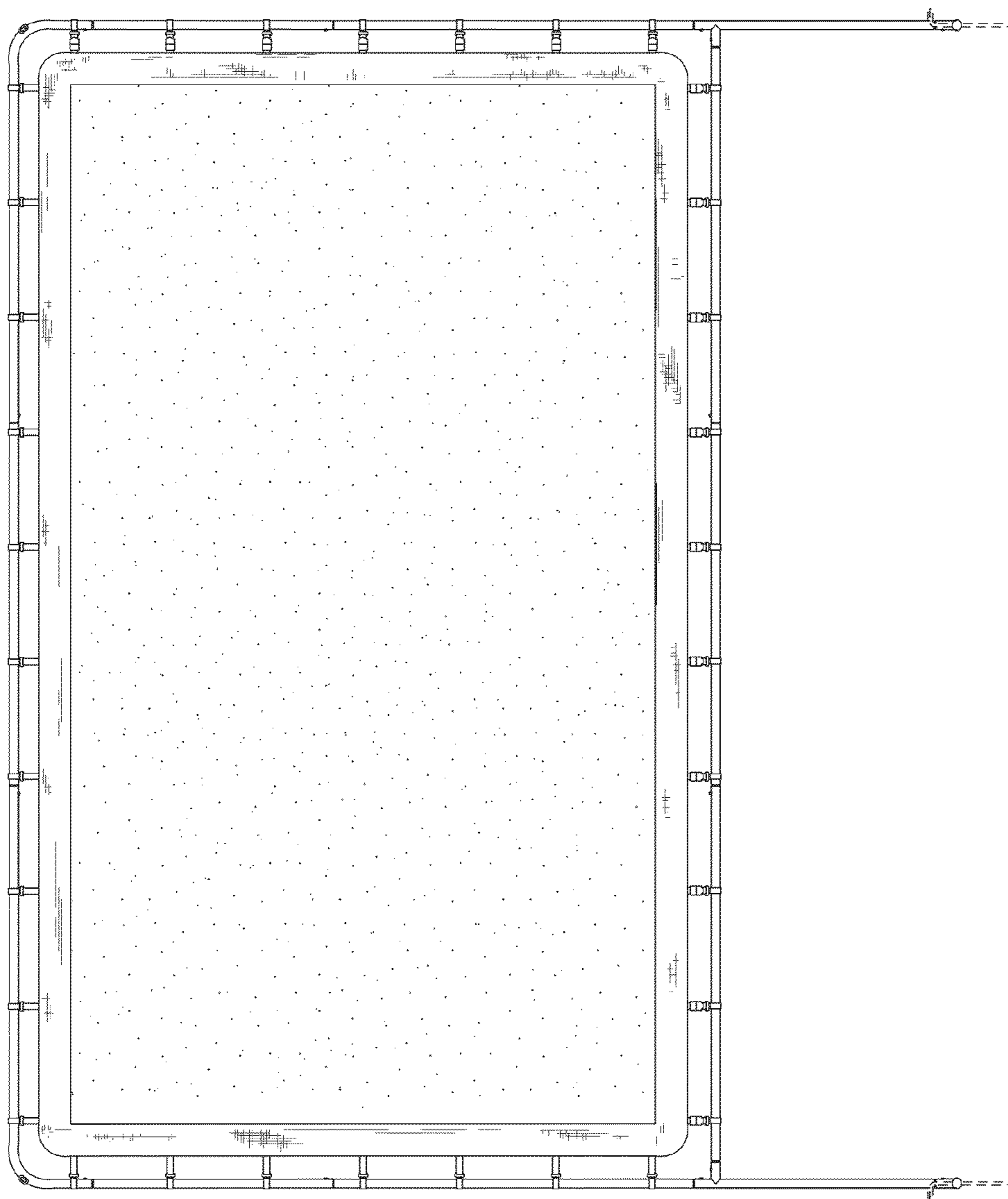


Fig. 1

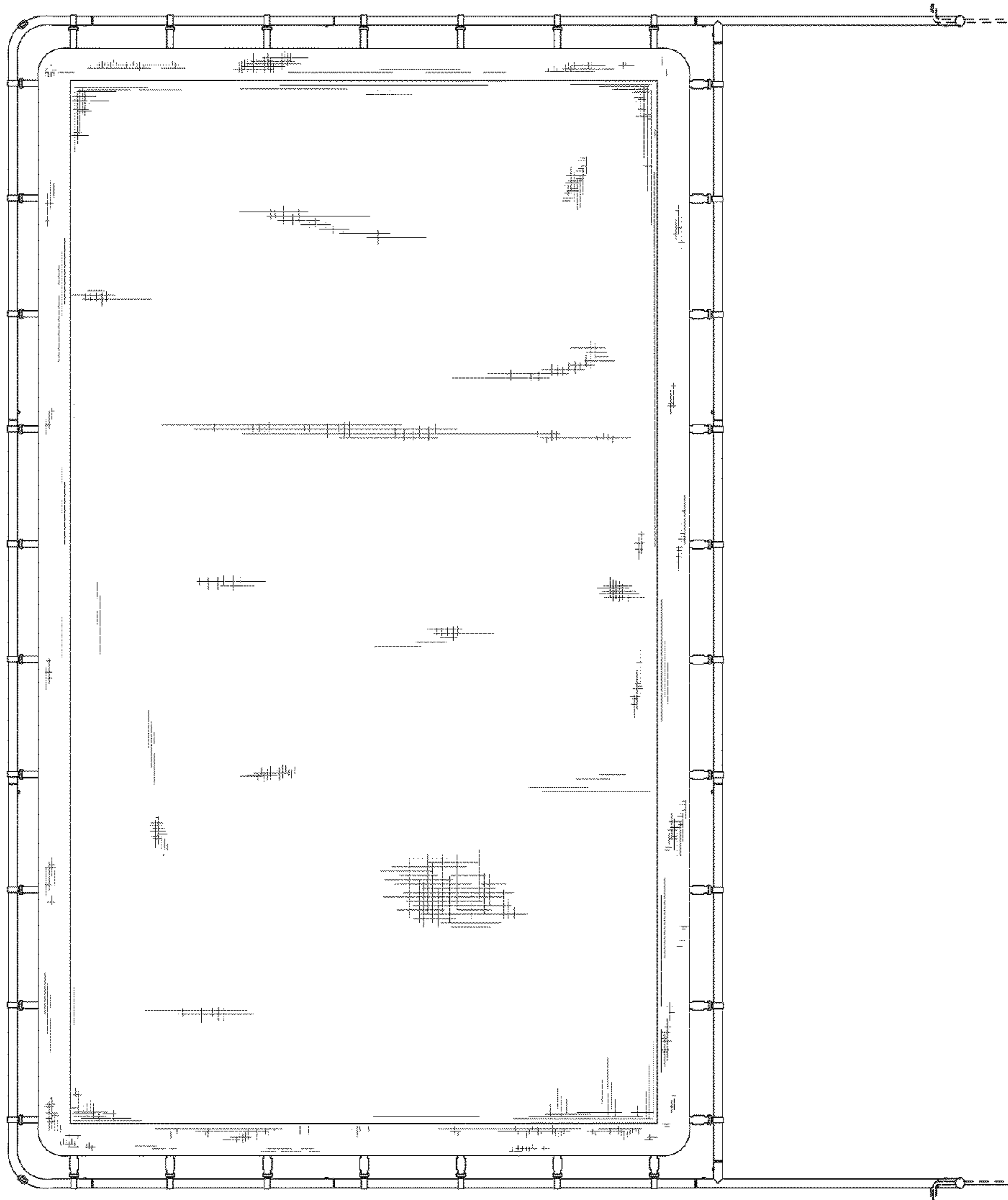


Fig. 2

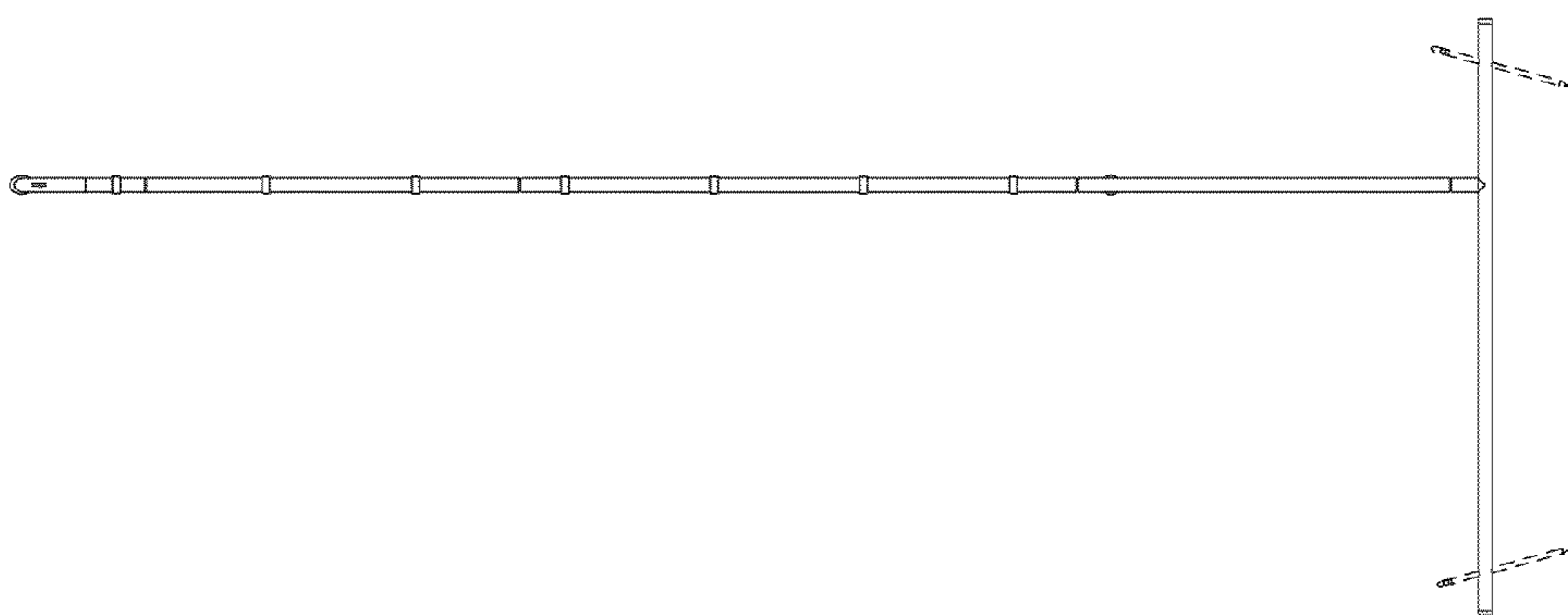


Fig. 4

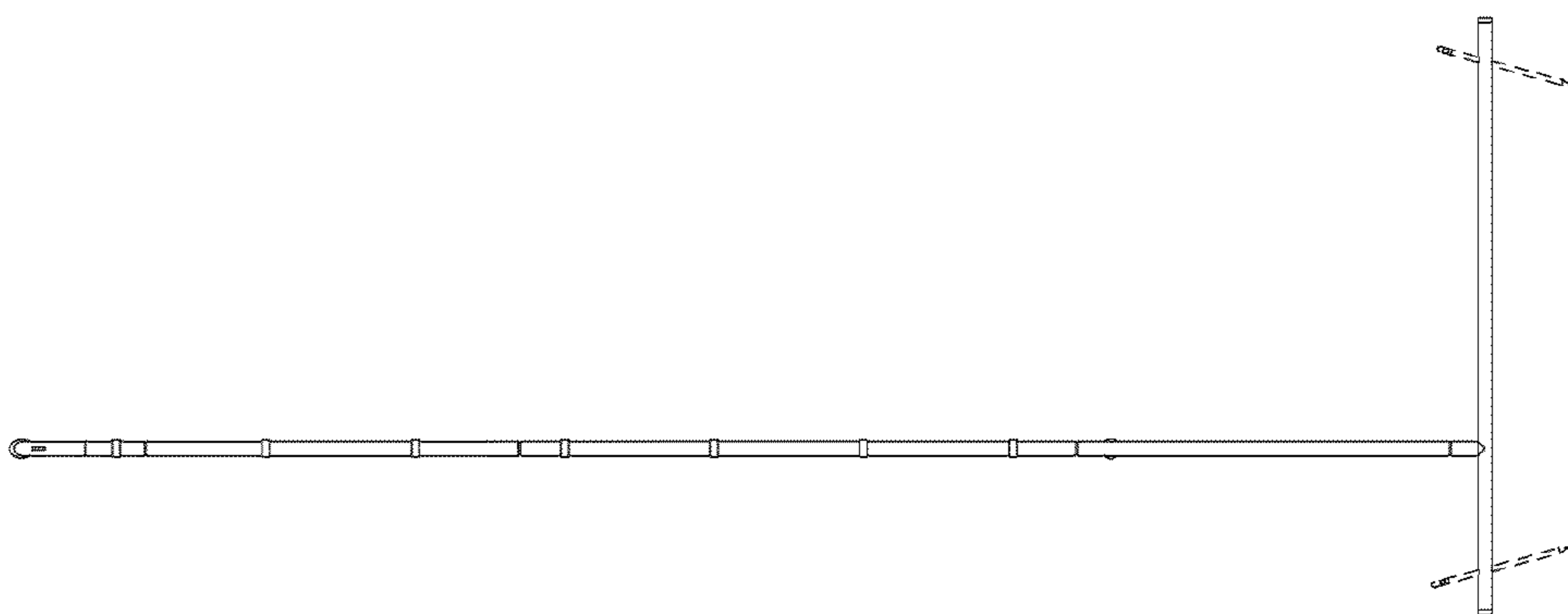


Fig. 3

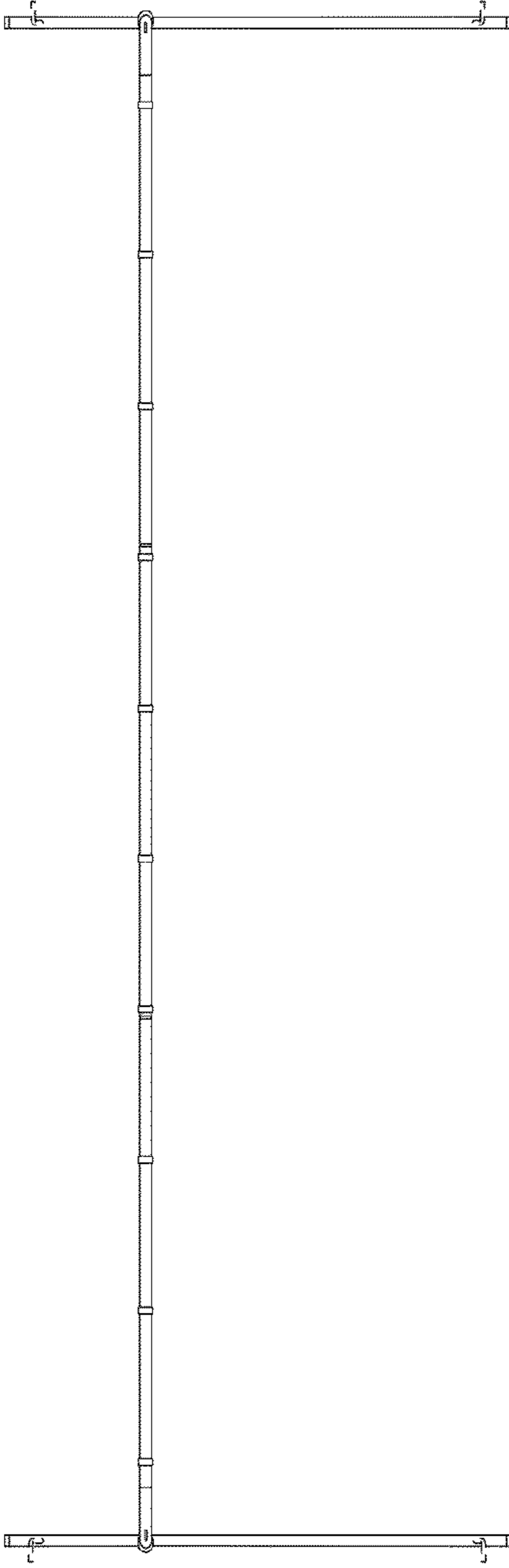


Fig. 5

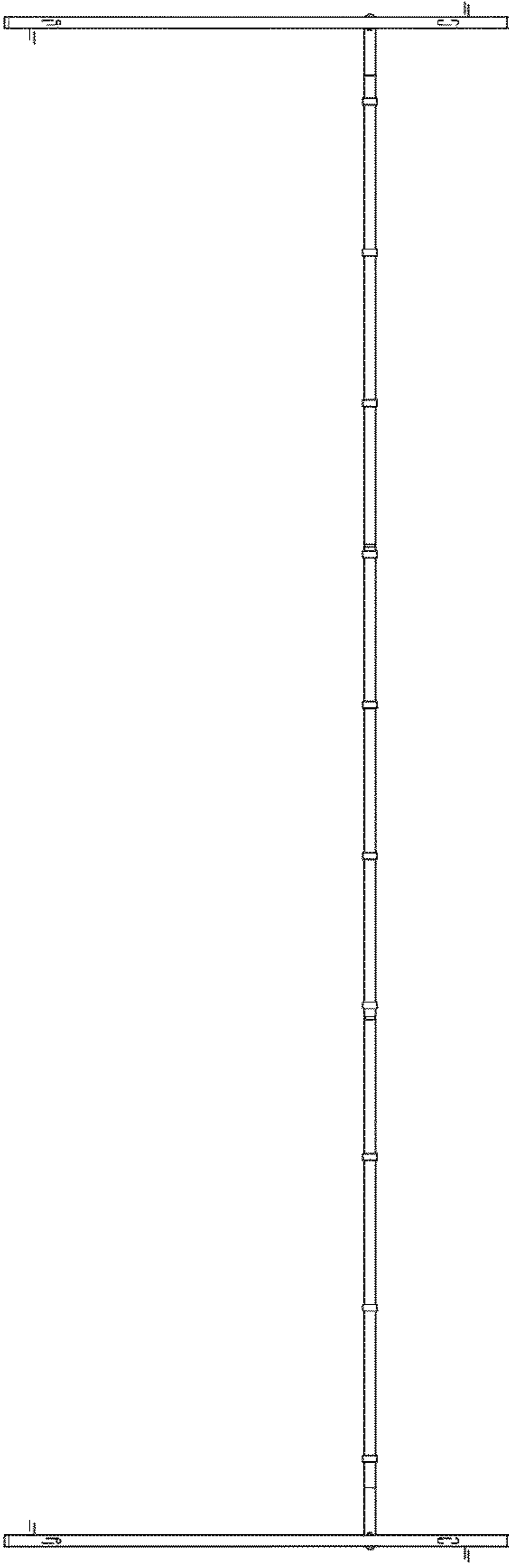


Fig. 6

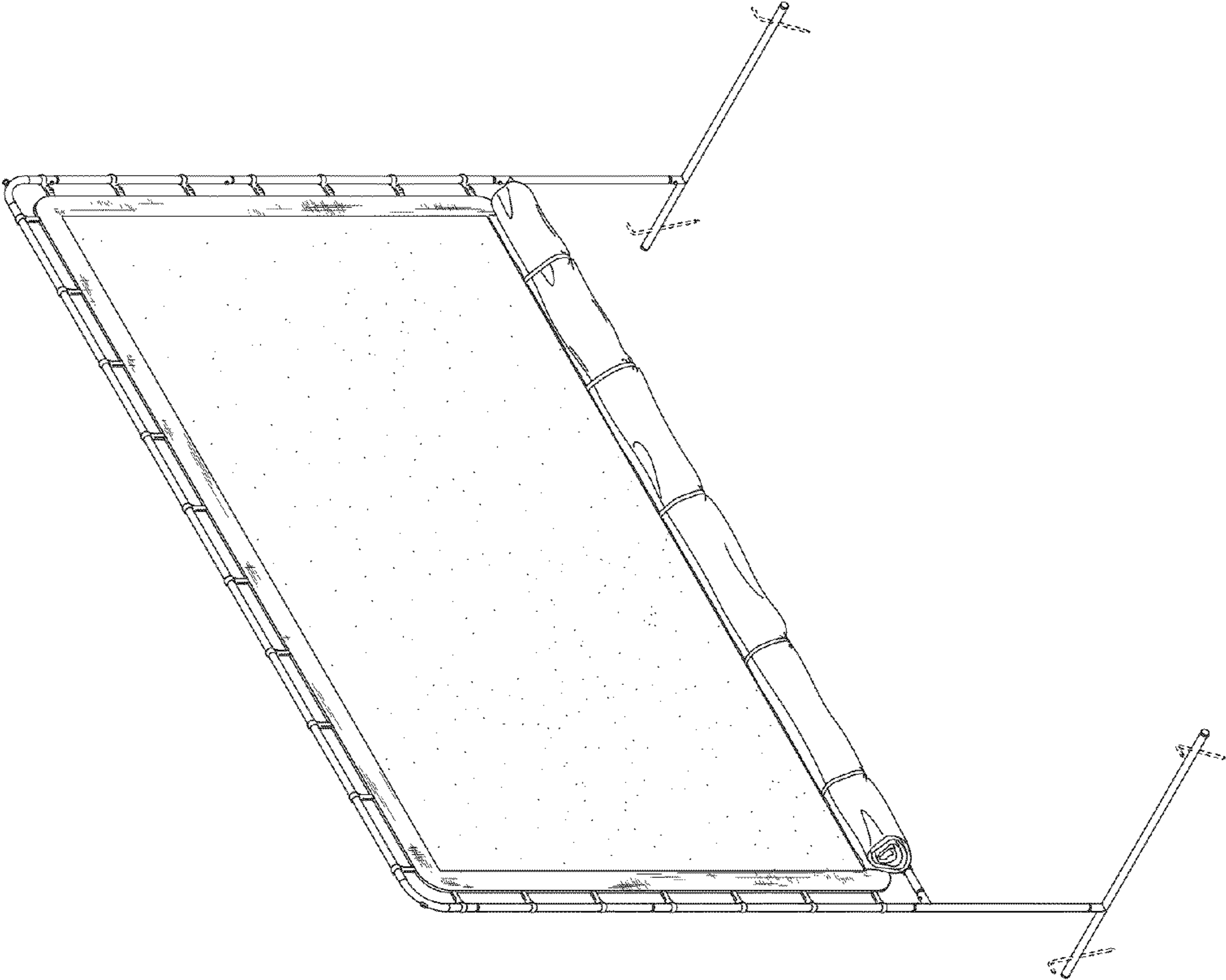


Fig. 7

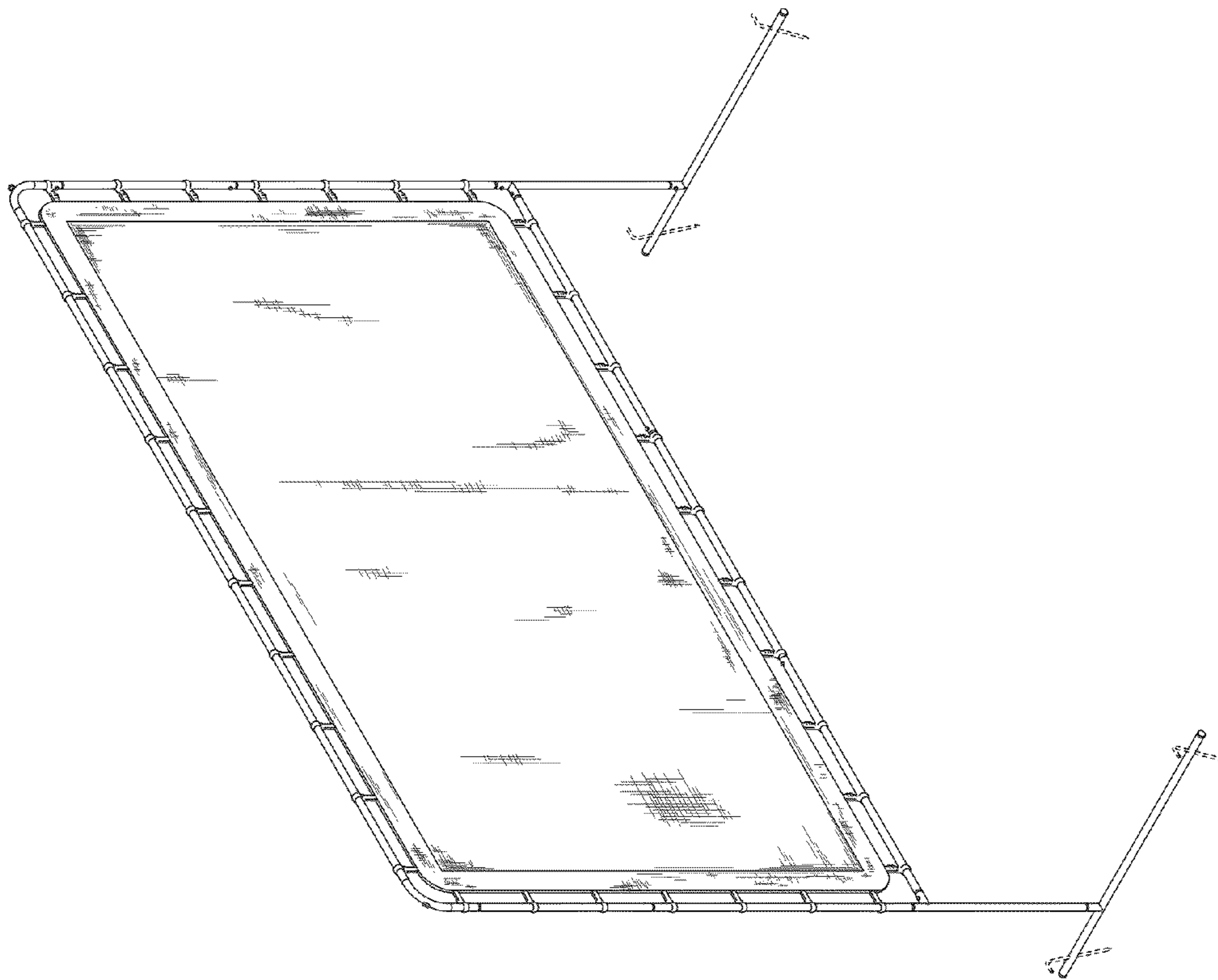


Fig. 8