



US00D684208S

(12) **United States Design Patent**
Lee

(10) **Patent No.:** **US D684,208 S**
(45) **Date of Patent:** **** Jun. 11, 2013**

(54) **INTERCHANGEABLE LENS FOR CAMERA**

(75) Inventor: **Han-Jea Lee**, Changwon-si (KR)
(73) Assignee: **Samyang Optics Co., Ltd.**, Masan,
Gyeongsangnam-do (KR)

(**) Term: **14 Years**
(21) Appl. No.: **29/419,264**
(22) Filed: **Apr. 26, 2012**

(30) **Foreign Application Priority Data**
Jan. 27, 2012 (KR) 30-2012-0003821

(51) **LOC (9) Cl.** **16-05**
(52) **U.S. Cl.**
USPC **D16/219**
(58) **Field of Classification Search**
USPC D16/134, 136, 200, 202, 209, 218,
D16/219; 348/373, 374; 359/600, 826-828;
396/529-535, 540, 541
See application file for complete search history.

(56) **References Cited**

U.S. PATENT DOCUMENTS			
4,118,713	A *	10/1978	Murakami 396/529
4,357,090	A *	11/1982	Araki 396/529
D412,922	S *	8/1999	Sekine D16/134
D425,088	S *	5/2000	Watanabe D16/134
D552,147	S *	10/2007	Tajima D16/219
D562,863	S *	2/2008	Yasutomi D16/219

OTHER PUBLICATIONS

“Samyang announces 24MM f/1.4 ED AS UMC lens” Digital Photography Review, <http://www.dpreview.com/news/2011/8/12/samyang24mm>, Aug. 12, 2011, 7 pages.

* cited by examiner

Primary Examiner — Adir Aronovich
(74) *Attorney, Agent, or Firm* — Nath Goldberg & Meyer;
Jerald L. Meyer; Joshua B. Goldberg

(57) **CLAIM**
The ornamental design for an interchangeable lens for camera, as shown and described.

DESCRIPTION

FIG. 1 is a perspective view of an interchangeable lens for camera showing my new design;
FIG. 2 is a front elevational view thereof;
FIG. 3 is a rear elevational view thereof;
FIG. 4 is a left side elevational view thereof;
FIG. 5 is a right side elevational view thereof;
FIG. 6 is a top plan view thereof; and,
FIG. 7 is a bottom plan view thereof.

Each figure shows a portion indicated by solid lines, which constitutes a partial design of the camera lens, and the claimed design seeks protection for the partial design. The claimed design is directed to a 24 mm lens. The portions of the interchangeable lens in broken lines are shown for illustrative purposes only and form no part of the claimed design.

1 Claim, 4 Drawing Sheets

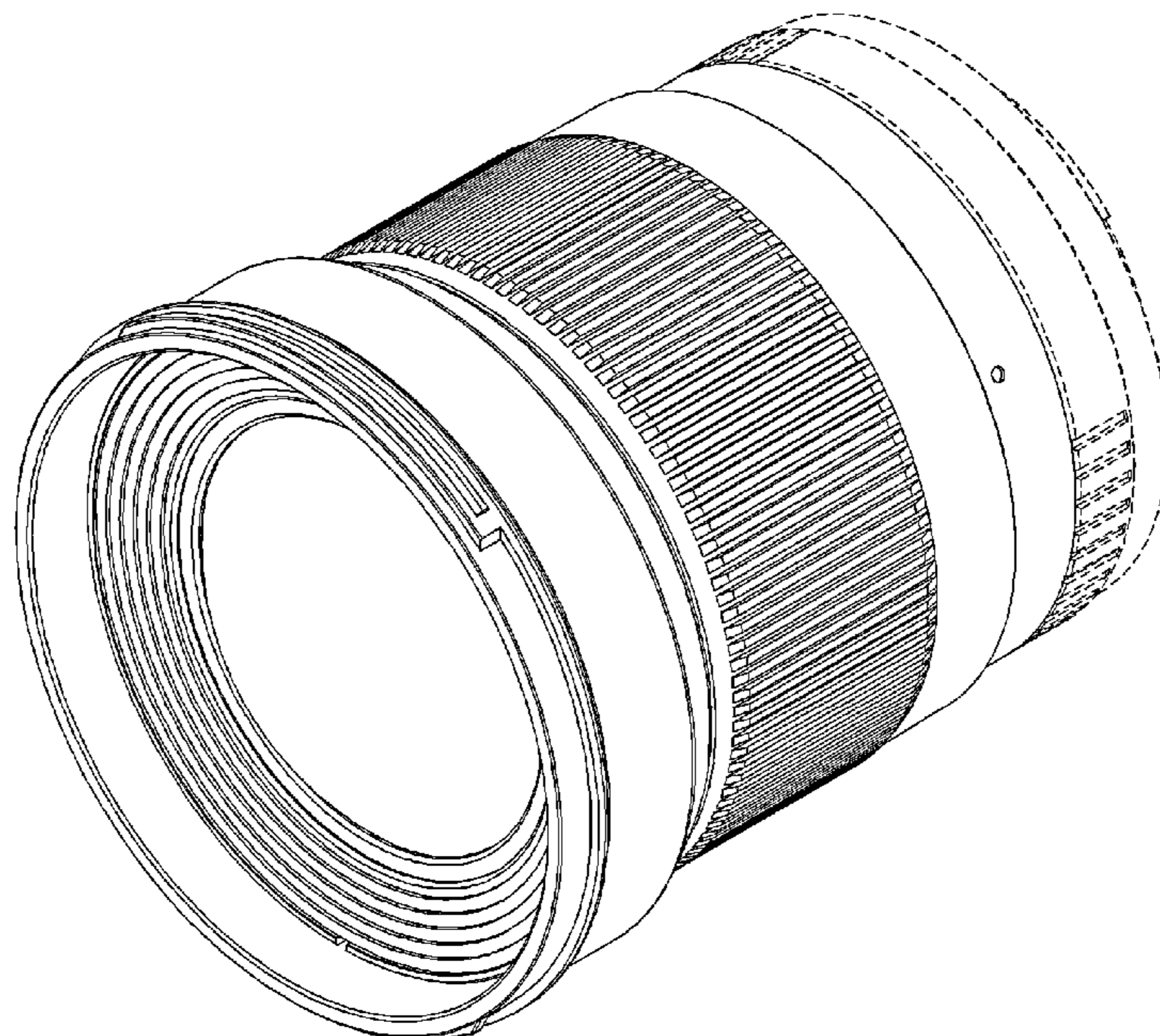


FIG. 1

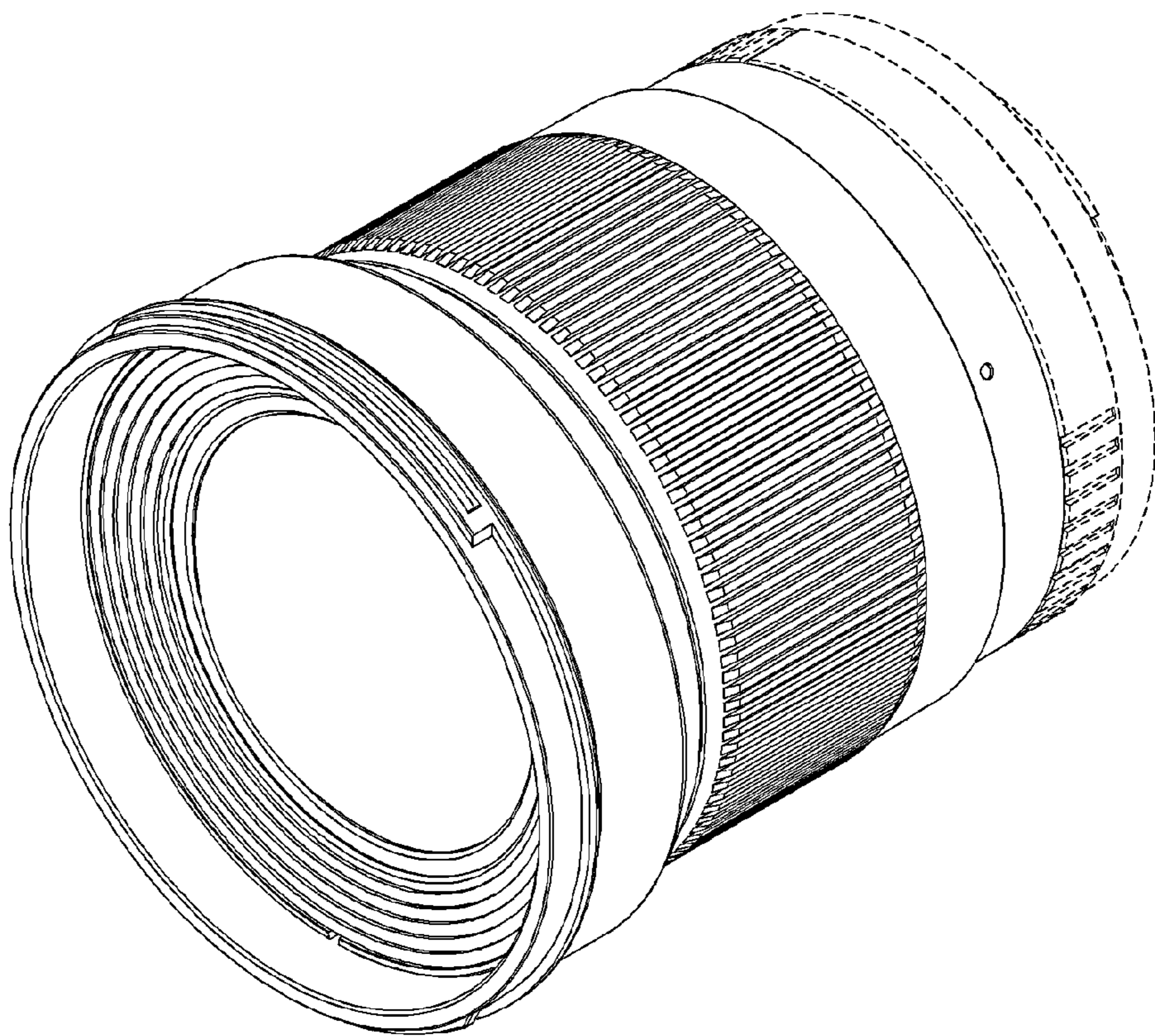


FIG. 2

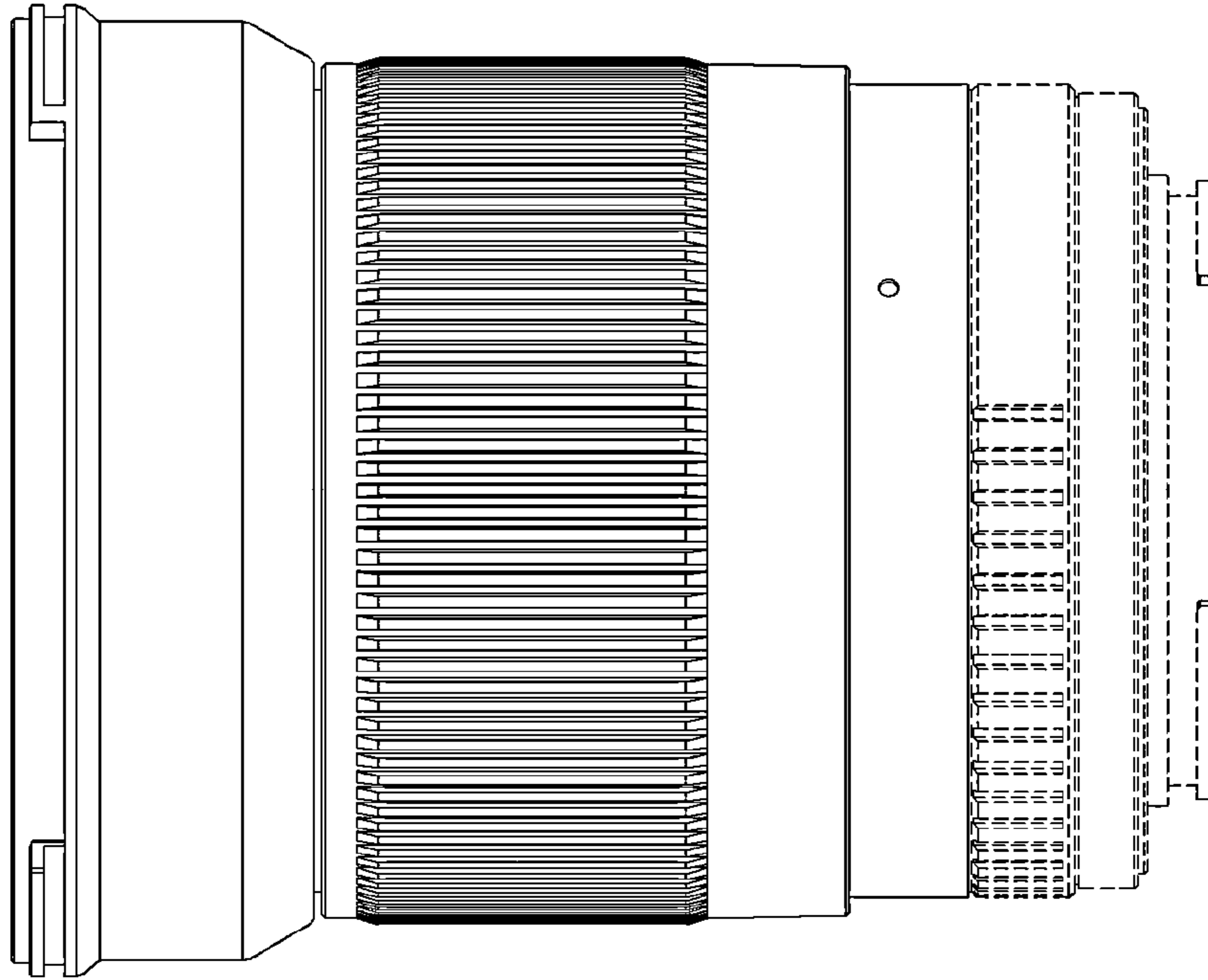


FIG. 3

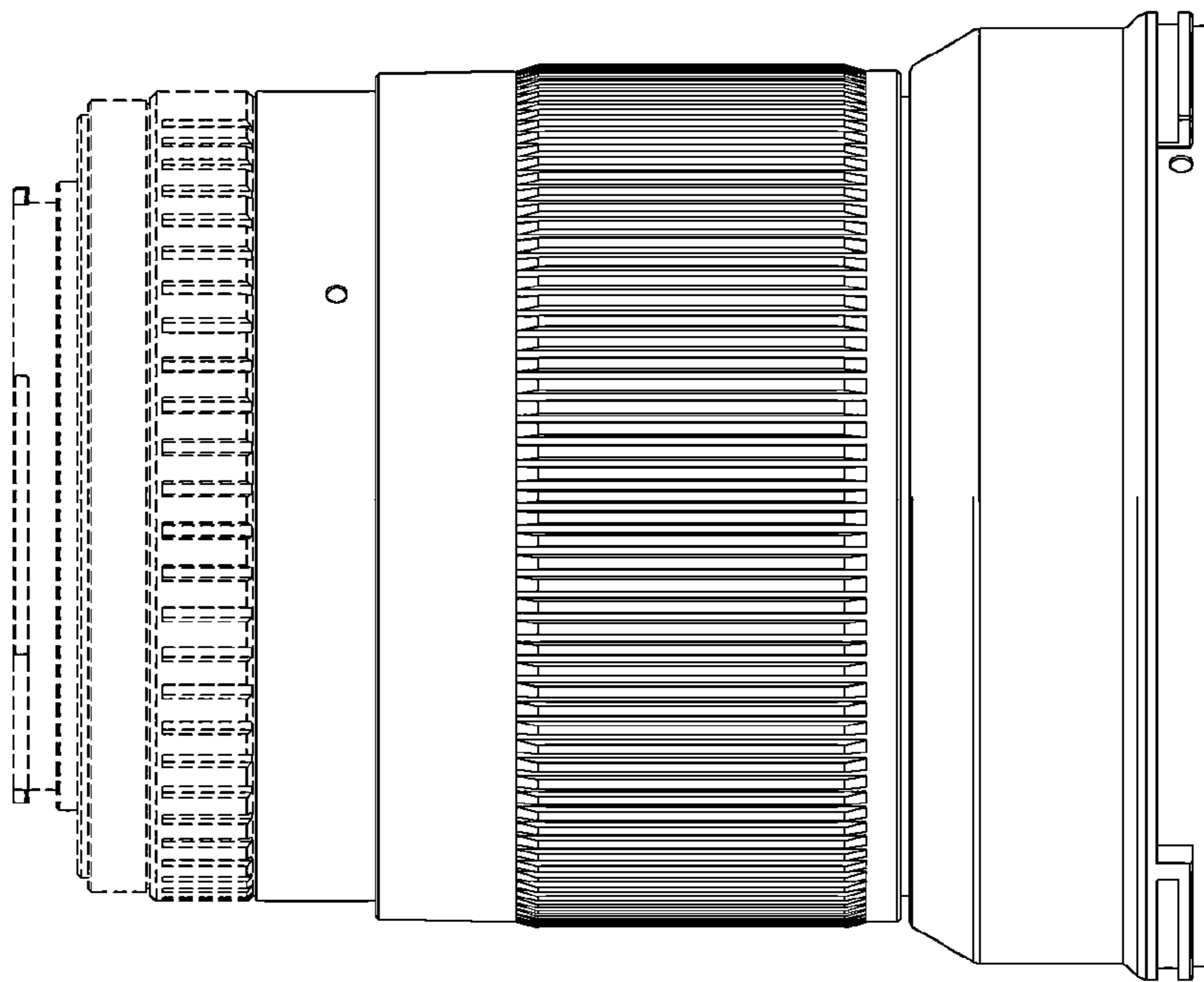


FIG. 4

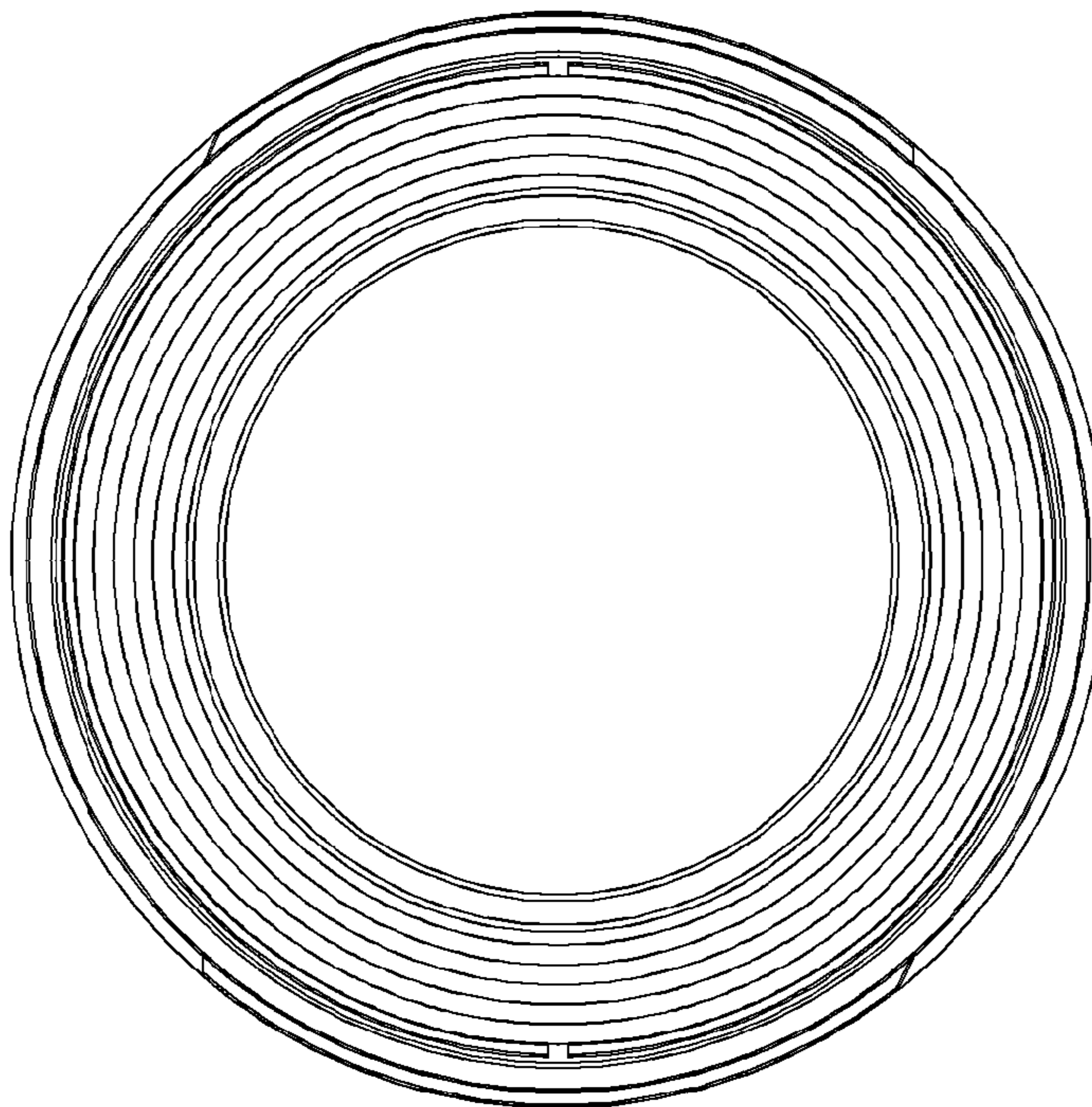


FIG. 5

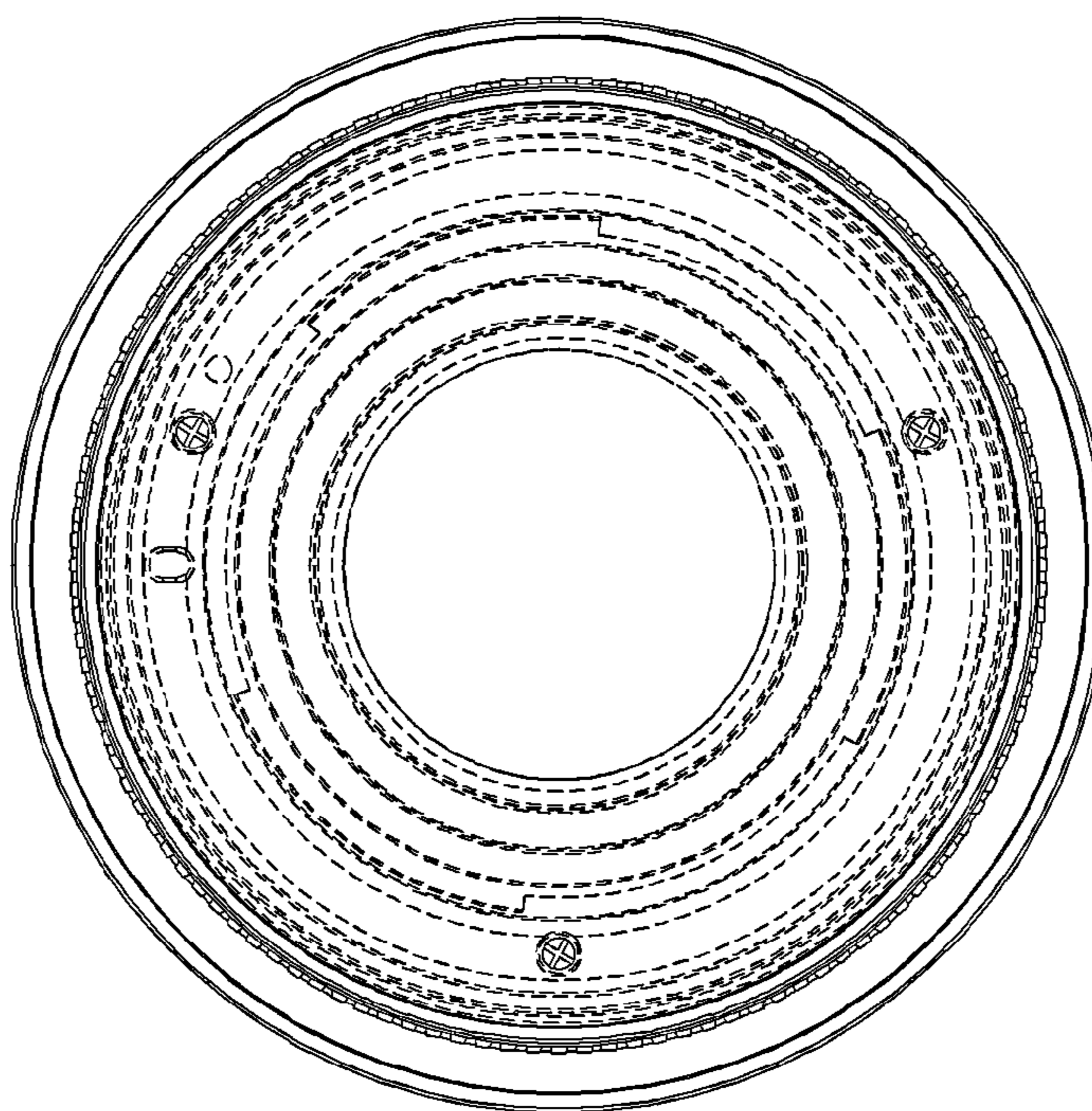


FIG. 6

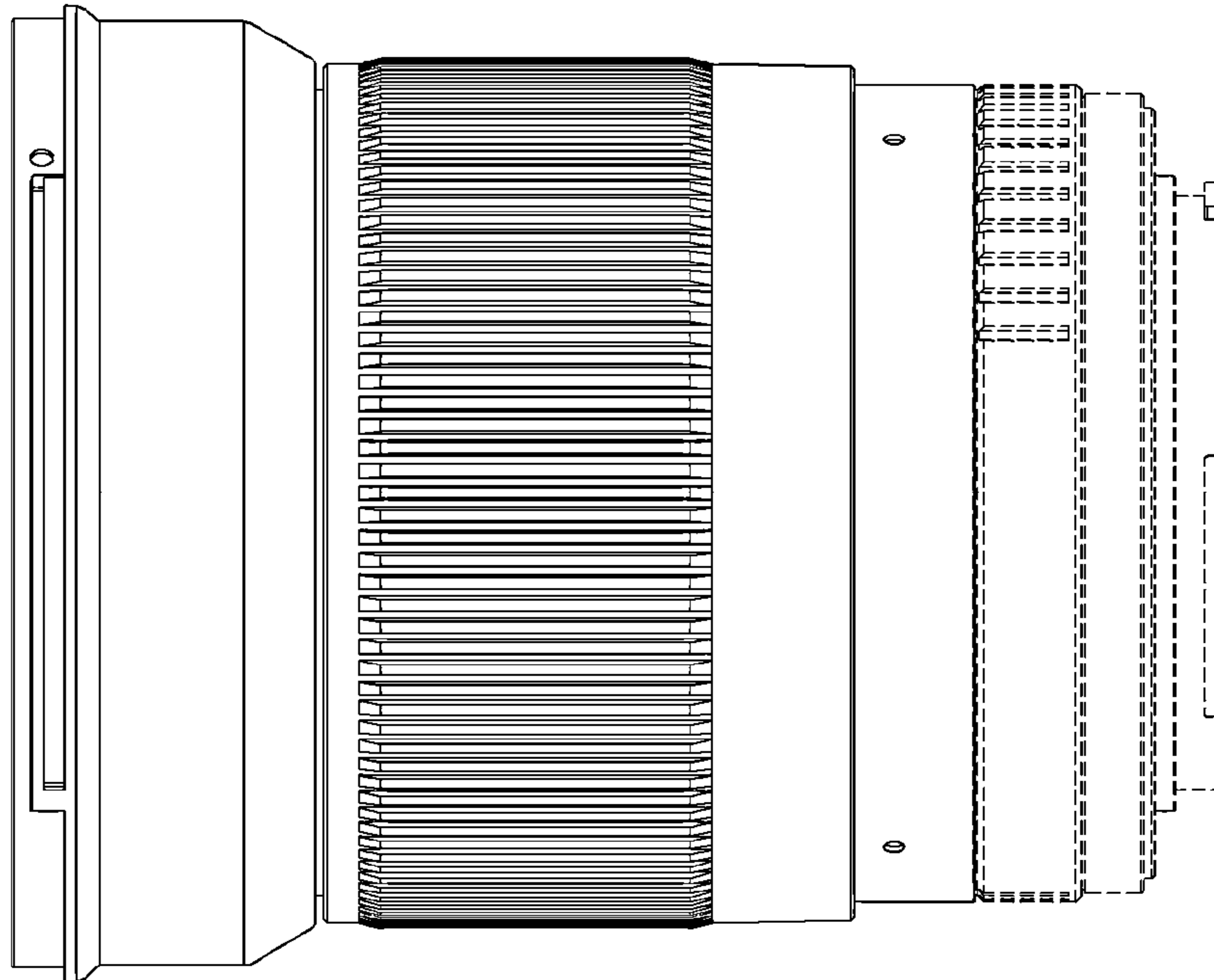


FIG. 7

