



US00D684207S

(12) **United States Design Patent**
Kim

(10) **Patent No.:** **US D684,207 S**
(45) **Date of Patent:** **** Jun. 11, 2013**

(54) **INTERCHANGEABLE LENS FOR CAMERA**

(75) Inventor: **Dal-Gyu Kim**, Gyeongsangnam-do (KR)

(73) Assignee: **Samyang Optics Co., Ltd.**, Masan,
Gyeongsangnam-do (KR)

(**) Term: **14 Years**

(21) Appl. No.: **29/417,785**

(22) Filed: **Apr. 9, 2012**

(30) **Foreign Application Priority Data**

Oct. 24, 2011 (KR) 30-2011-0044240

(51) **LOC (9) Cl.** **16-05**

(52) **U.S. Cl.**
USPC **D16/219**

(58) **Field of Classification Search**
USPC D16/134, 136, 200, 202, 209, 218,
D16/219; 348/373, 374; 359/600, 826-828;
396/529-535, 540, 541
See application file for complete search history.

(56) **References Cited**

U.S. PATENT DOCUMENTS

4,381,892 A * 5/1983 Someya 396/534
D338,479 S * 8/1993 Takahashi D16/134
D416,926 S * 11/1999 Watanabe D16/219
6,104,887 A * 8/2000 Hamasaki et al. 396/534
6,269,227 B1 * 7/2001 Hamasaki et al. 396/534

D446,232 S * 8/2001 Watanabe D16/134
7,104,658 B2 * 9/2006 Fischbach et al. 359/600
D573,625 S * 7/2008 Watanabe D16/219
D574,026 S * 7/2008 Haga D16/219

OTHER PUBLICATIONS

Samyang 7.5MM 1:3.5 UMC Fish-Eye MFT—Release Date and
Estimated Retail Price, Sep. 5, 2011, Samyang Company Website,
pp. 1-56 (Attached).

* cited by examiner

Primary Examiner — Adir Aronovich

(74) *Attorney, Agent, or Firm* — Nath, Goldberg & Meyer;
Jerald L. Meyer; Joshua B. Goldberg

(57) **CLAIM**

The ornamental design for an interchangeable lens for cam-
era, as shown and described.

DESCRIPTION

FIG. 1 is a perspective view of an interchangeable lens for
camera showing my new design;
FIG. 2 is a front elevational view thereof;
FIG. 3 is a rear elevational view thereof;
FIG. 4 is a left side elevational view thereof;
FIG. 5 is a right side elevational view thereof;
FIG. 6 is a top plan view thereof; and,
FIG. 7 is a bottom plan view thereof.
The claimed design shows an interchangeable lens integrally
combined with a hood in front of the lens.

1 Claim, 7 Drawing Sheets

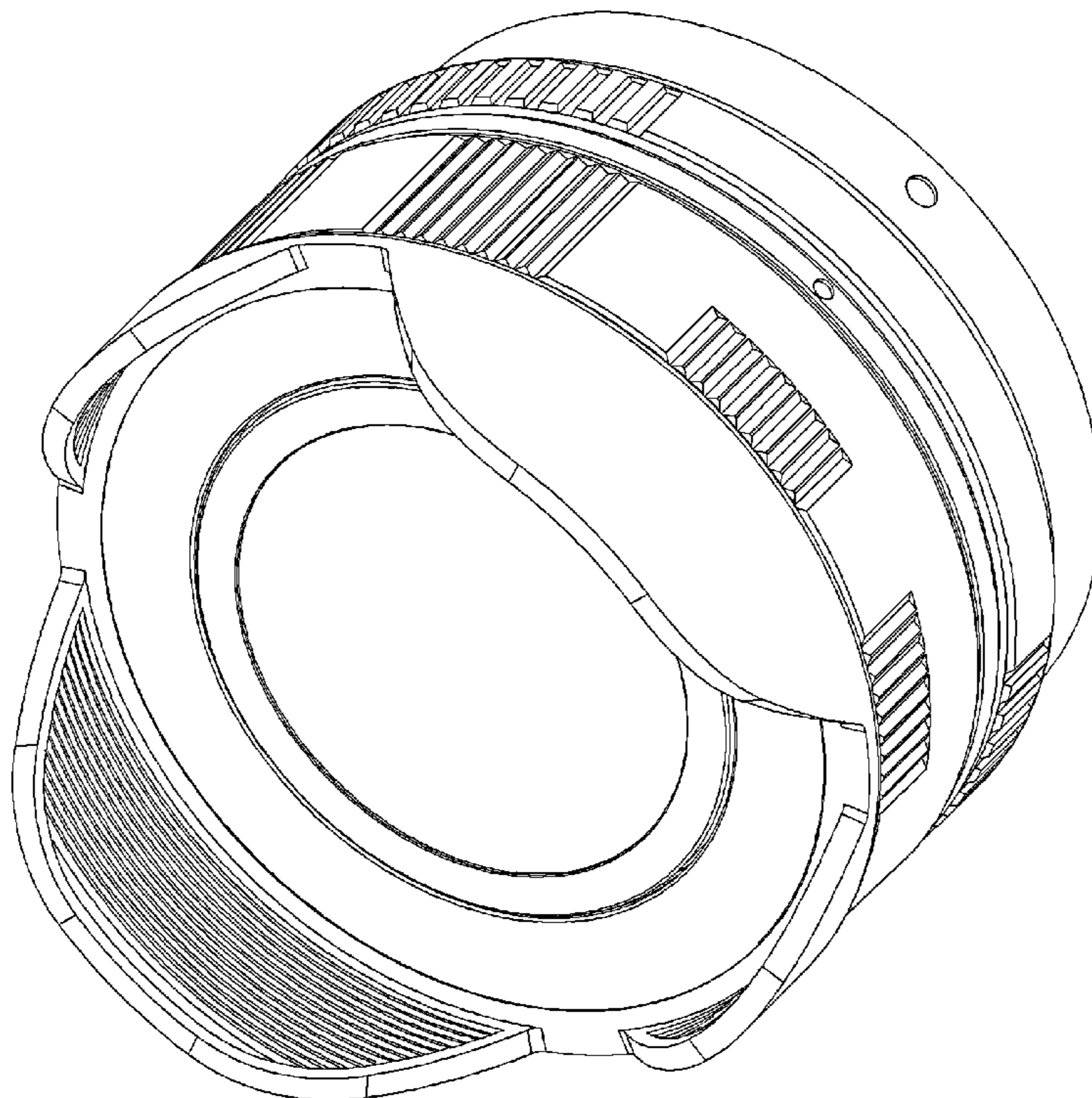


FIG. 1

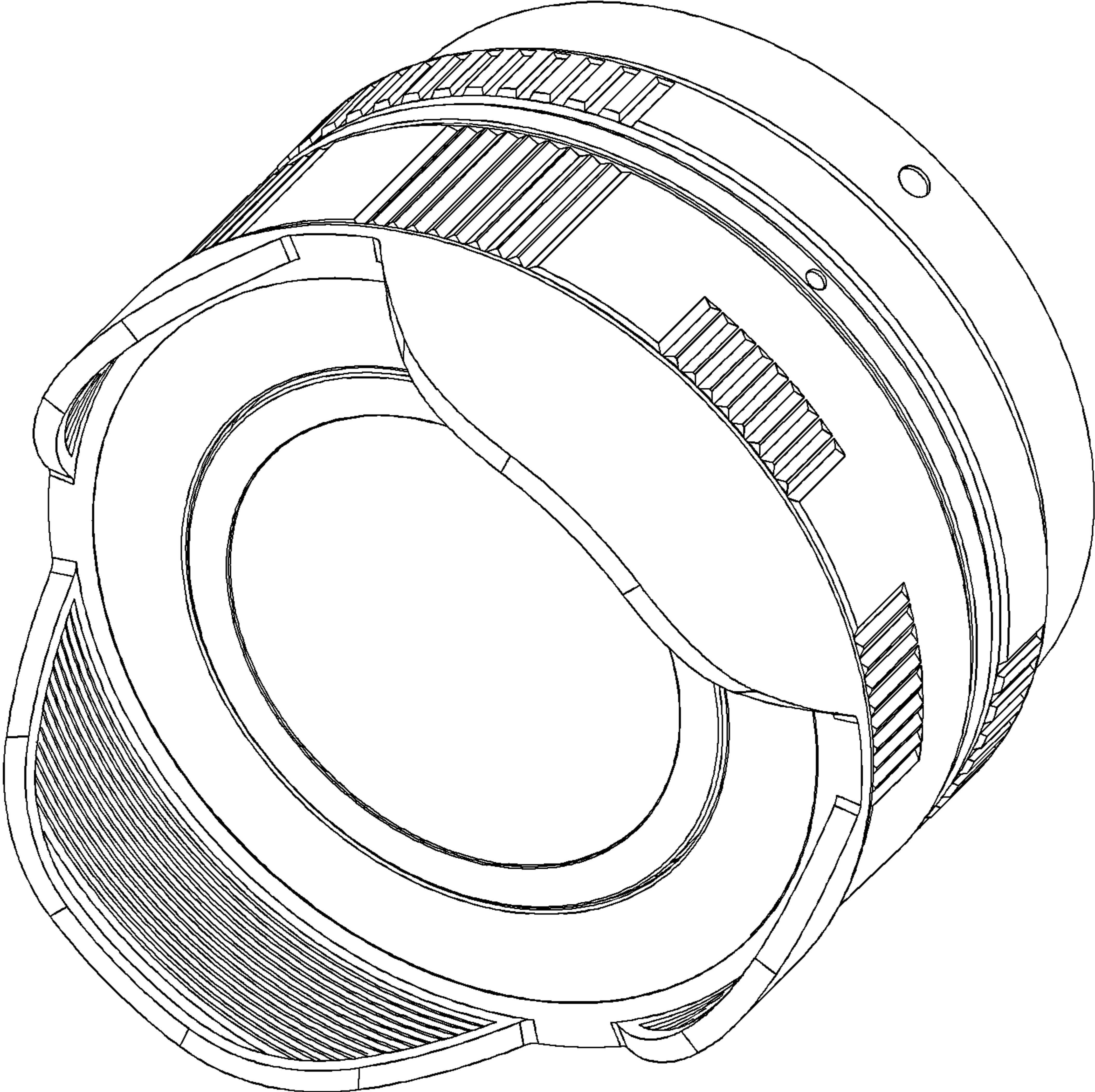


FIG. 2

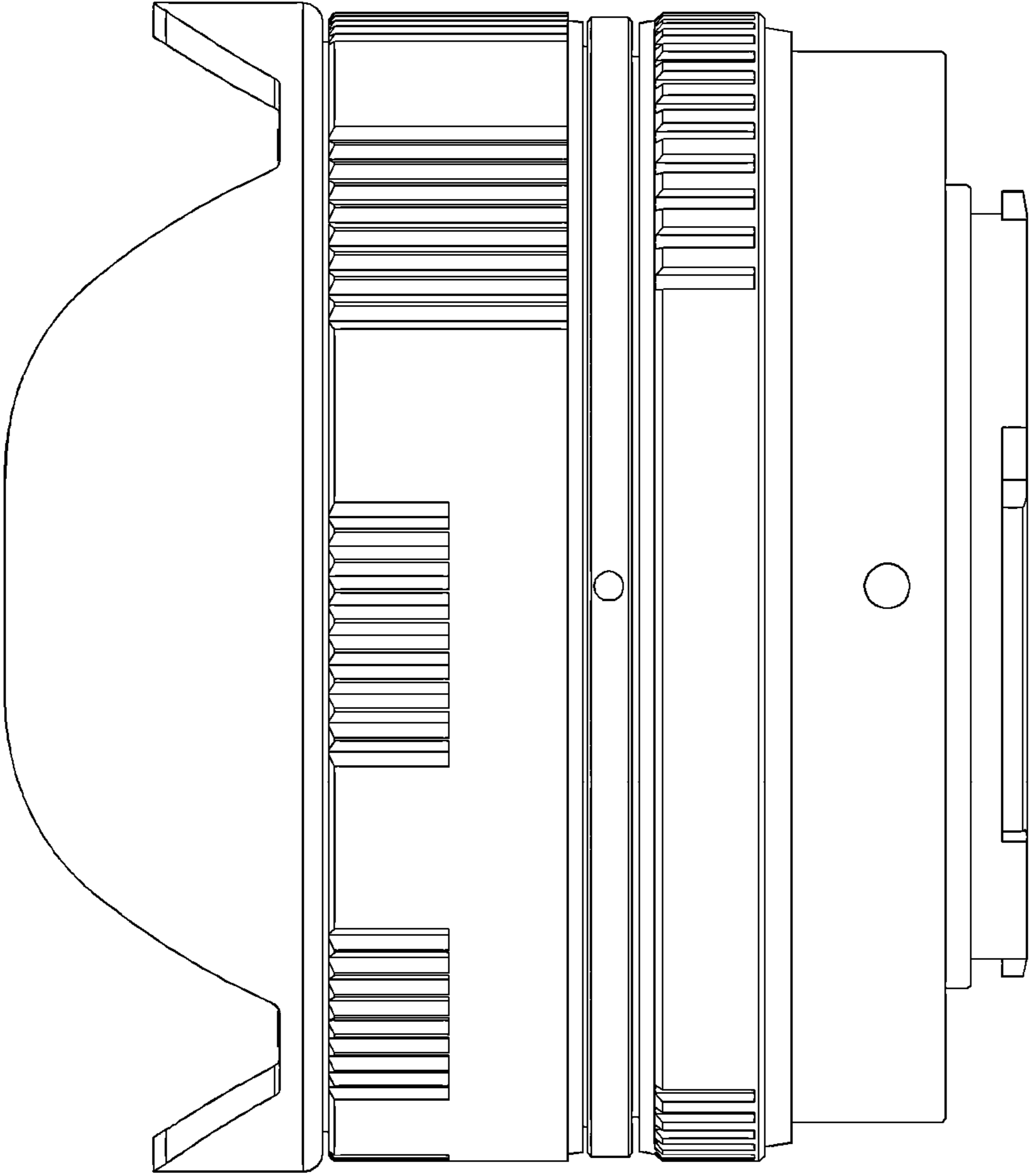


FIG. 3

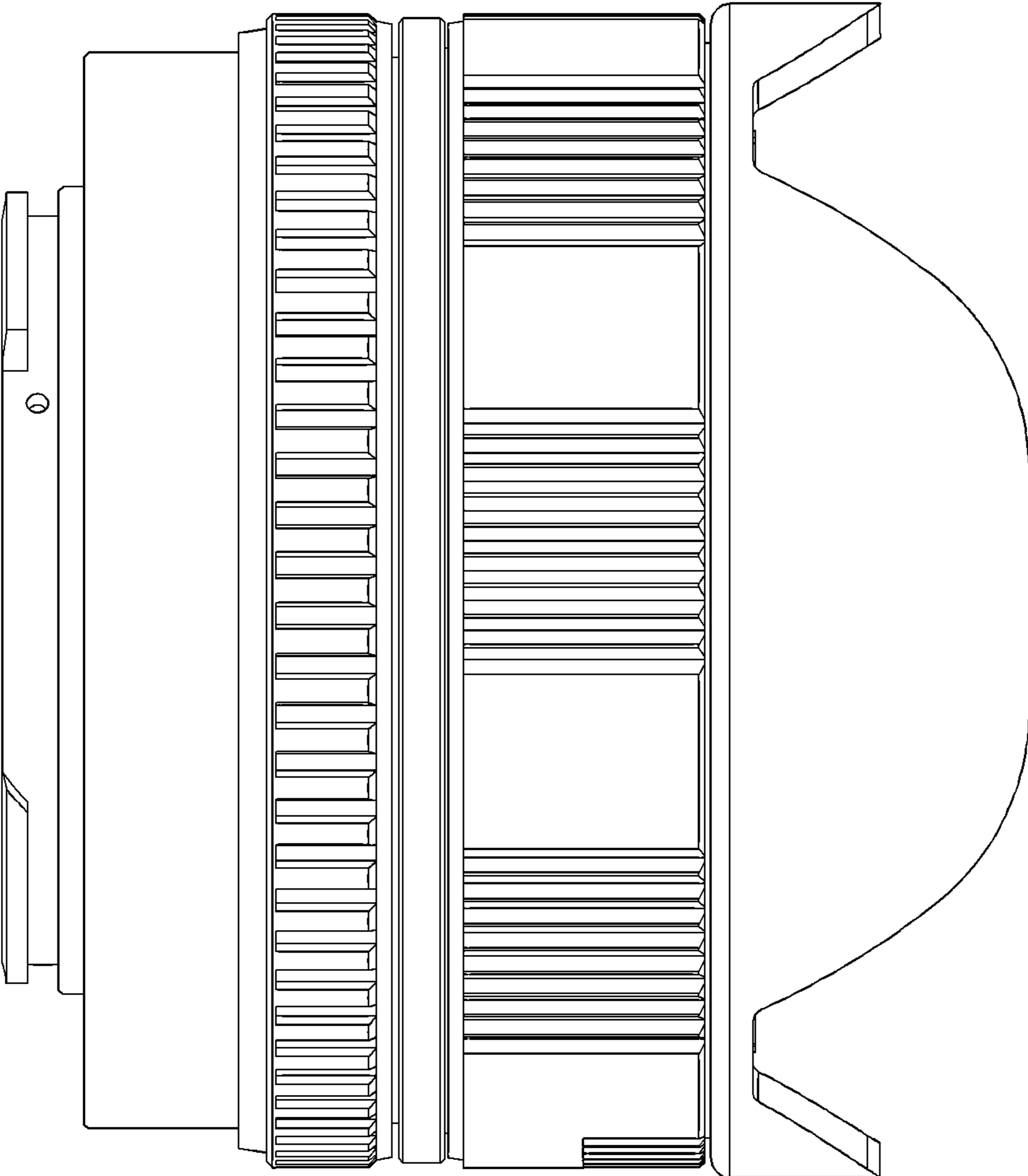


FIG. 4

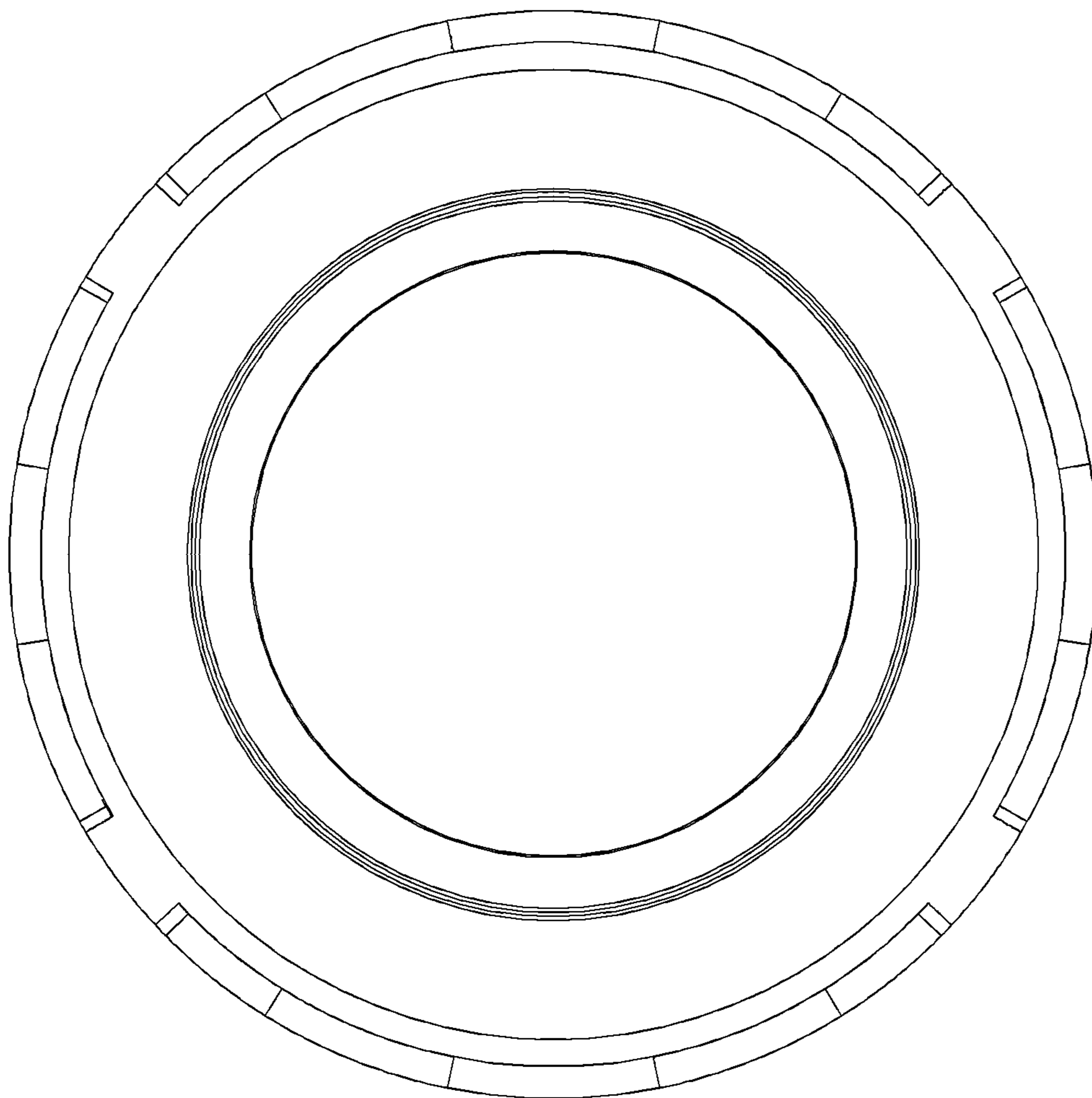


FIG. 5

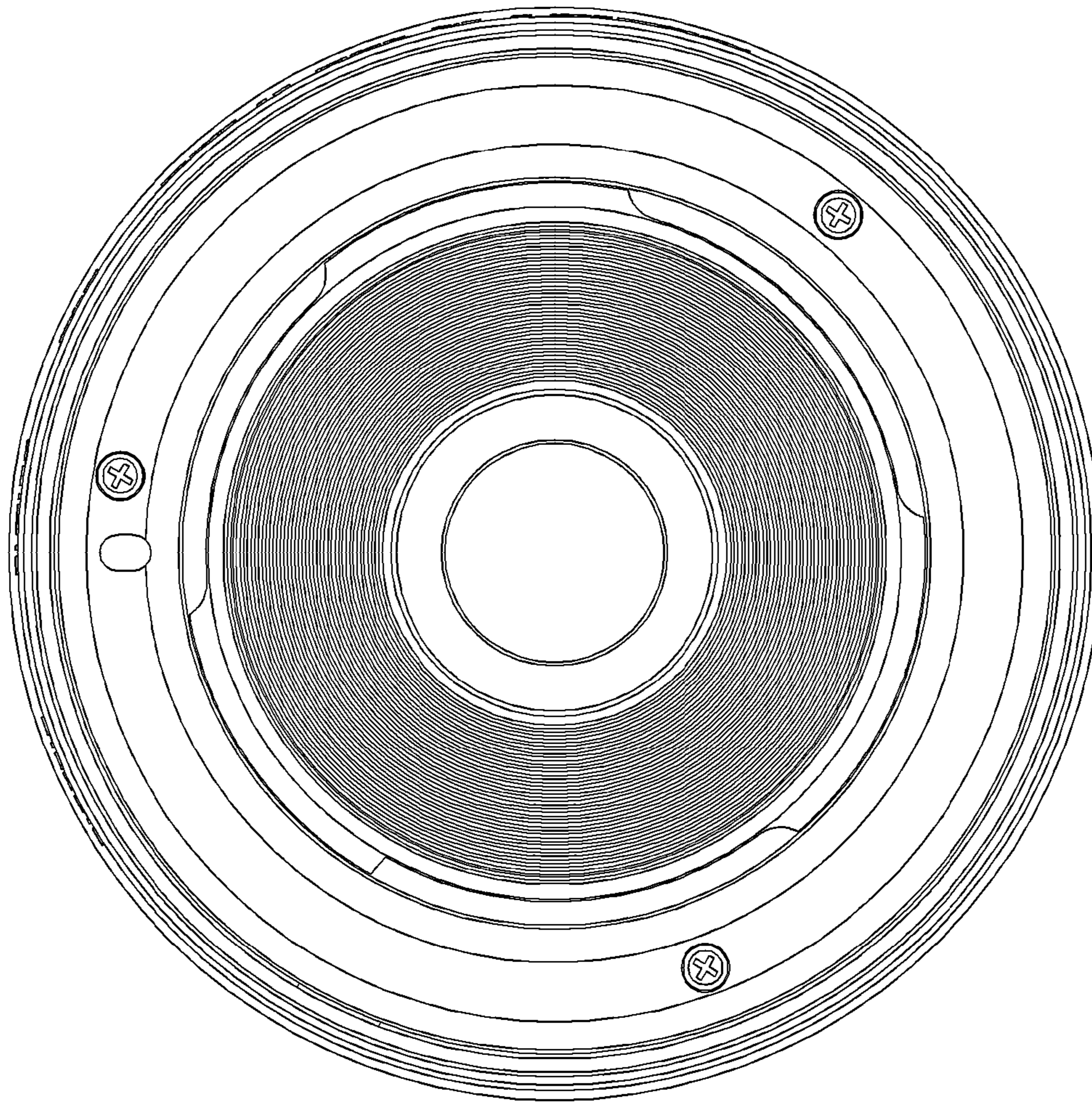


FIG. 6

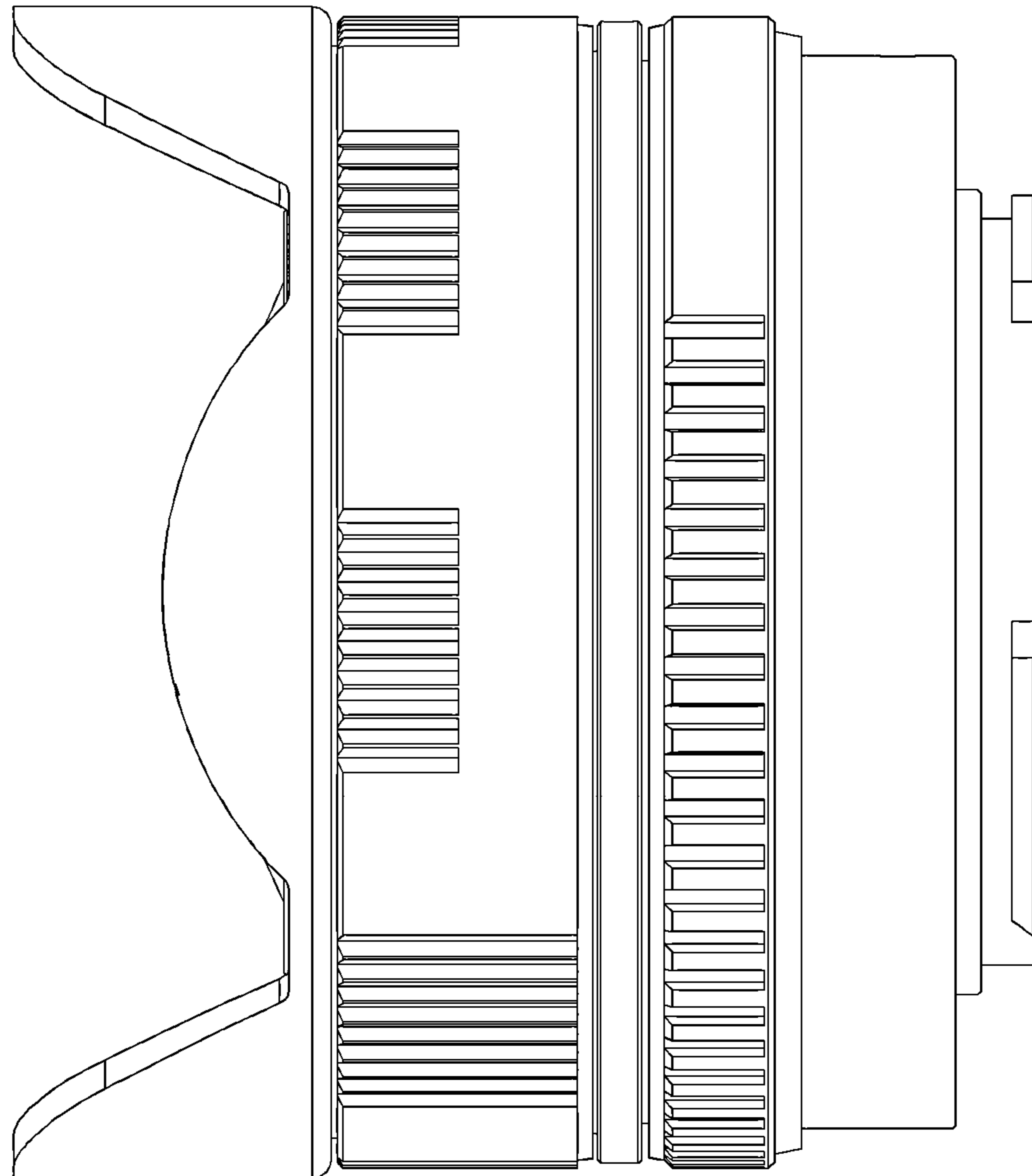


FIG. 7

