



US00D684206S

(12) **United States Design Patent**
Sakai

(10) **Patent No.:** **US D684,206 S**

(45) **Date of Patent:** **** Jun. 11, 2013**

(54) **DIGITAL CAMERA**

(75) Inventor: **Koji Sakai**, Hachioji (JP)

(73) Assignee: **Olympus Imaging Corporation**, Tokyo (JP)

(**) Term: **14 Years**

(21) Appl. No.: **29/416,843**

(22) Filed: **Mar. 27, 2012**

(30) **Foreign Application Priority Data**

Feb. 3, 2012 (JP) 2012-002222

(51) **LOC (9) Cl.** **16-05**

(52) **U.S. Cl.**
USPC **D16/219**

(58) **Field of Classification Search**
USPC . D16/200, 202, 204, 209, 218, 219; 348/373;
358/909.1; 396/535, 540, 541
See application file for complete search history.

(56) **References Cited**

U.S. PATENT DOCUMENTS

D373,594 S * 9/1996 McBride et al. D16/209
D446,536 S * 8/2001 Kim D16/209

D453,781 S * 2/2002 Senda et al. D16/209
D538,323 S * 3/2007 Sato D16/219
D548,252 S * 8/2007 Tajima D16/202
7,792,424 B2 * 9/2010 Chen 396/540

* cited by examiner

Primary Examiner — Adir Aronovich

(74) *Attorney, Agent, or Firm* — Holtz, Holtz, Goodman & Chick, P.C.

(57) **CLAIM**

The ornamental design for a digital camera, as shown and described.

DESCRIPTION

FIG. 1 is a front, top and right side perspective view of a digital camera showing my new design;
FIG. 2 is a front elevational view thereof;
FIG. 3 is a rear elevational view thereof;
FIG. 4 is a top plan view thereof;
FIG. 5 is a bottom plan view thereof;
FIG. 6 is a right side elevational view thereof; and,
FIG. 7 is a left side elevational view thereof.
The broken line portions shown in the drawings are for illustrative purposes only and form no part of the claimed design.

1 Claim, 4 Drawing Sheets

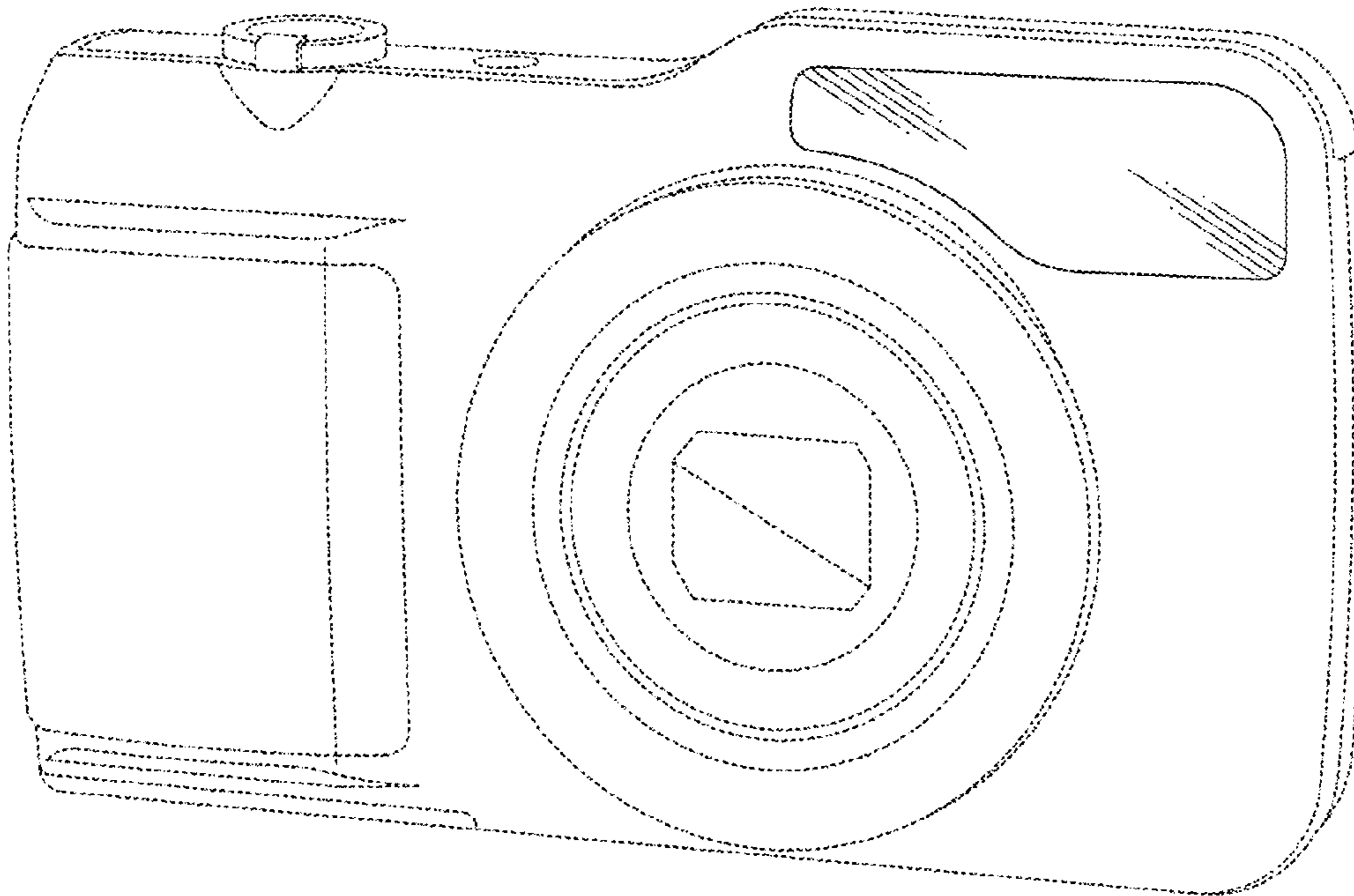


FIG. 1

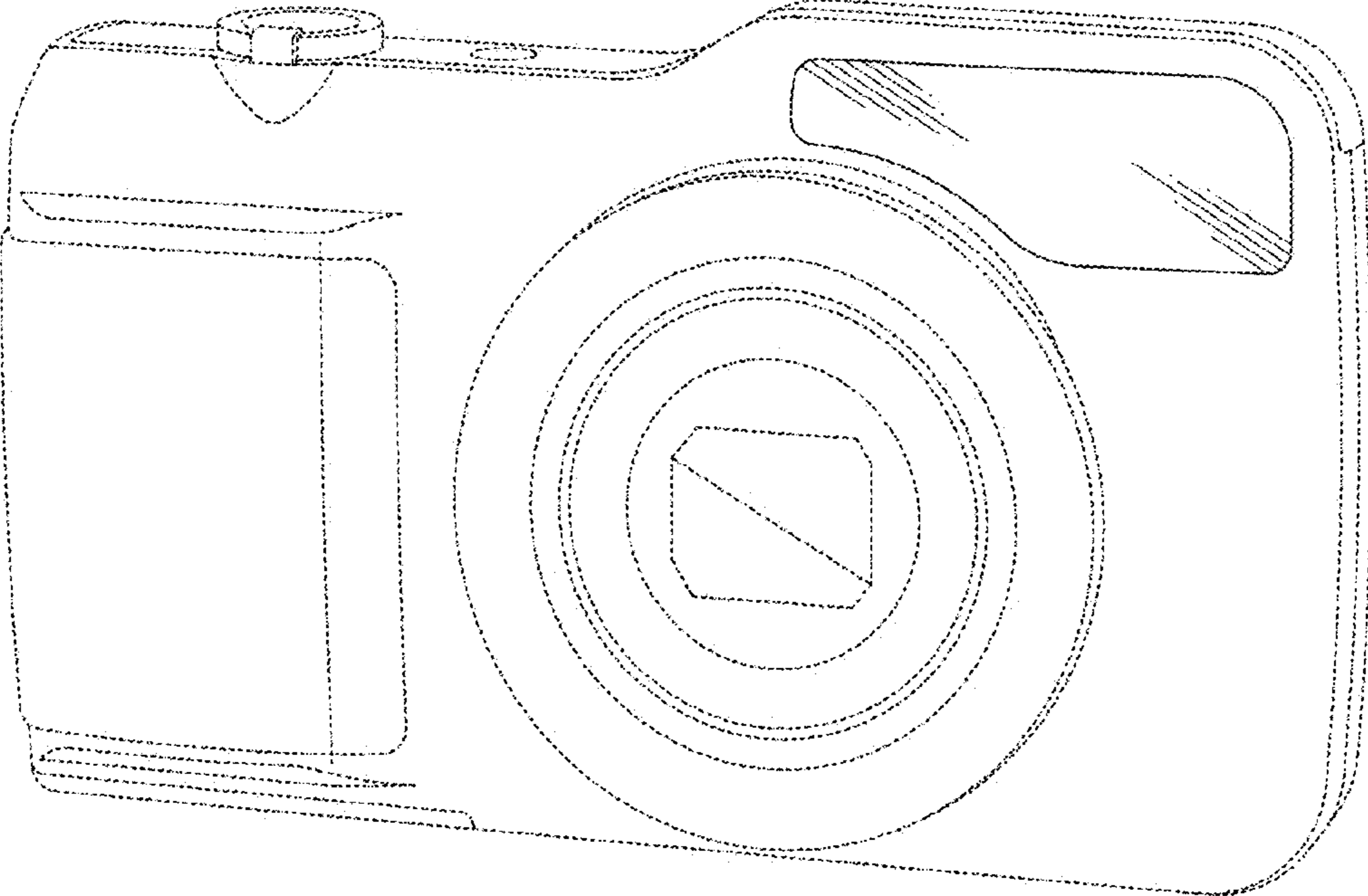


FIG.2

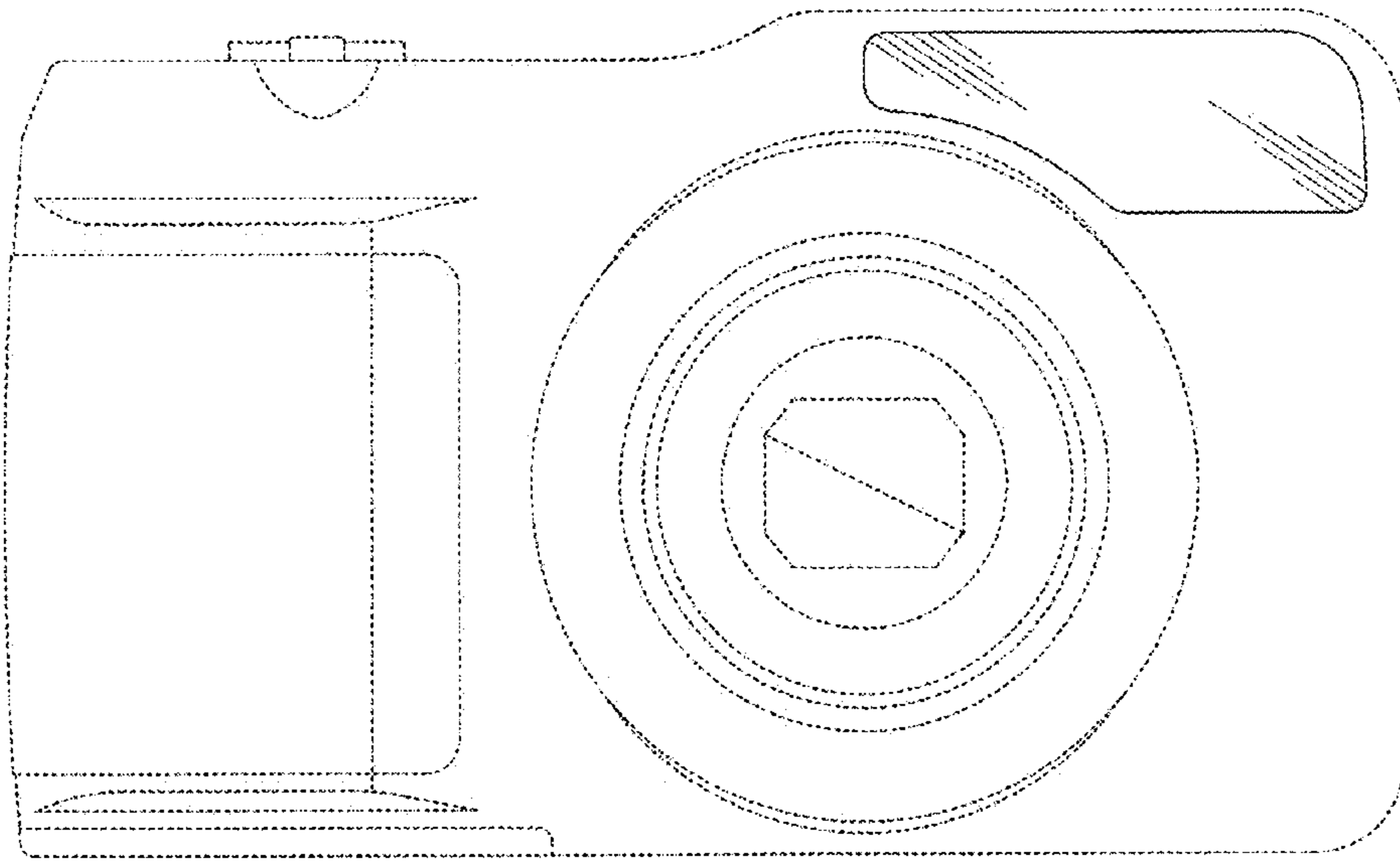


FIG.3

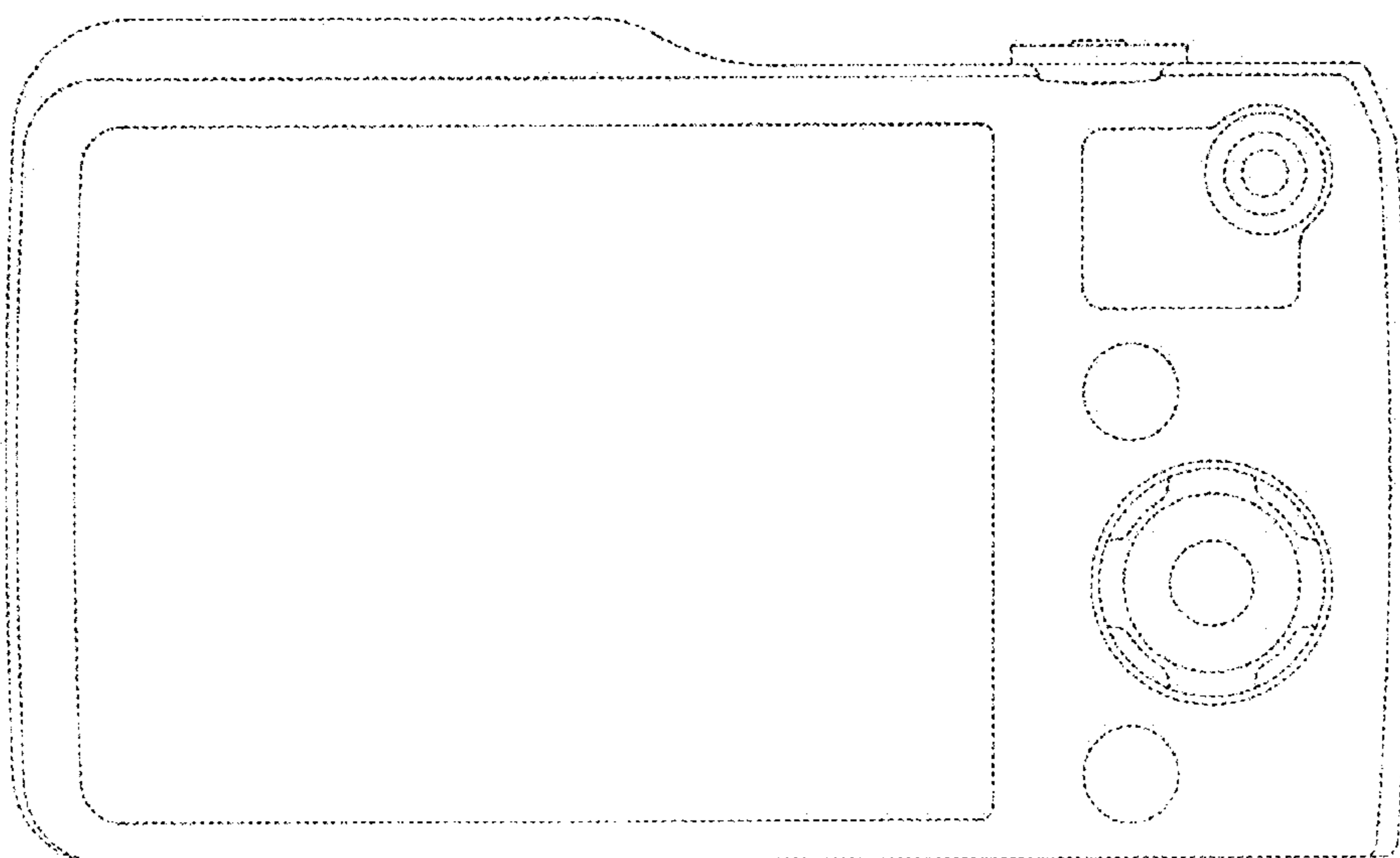


FIG.4

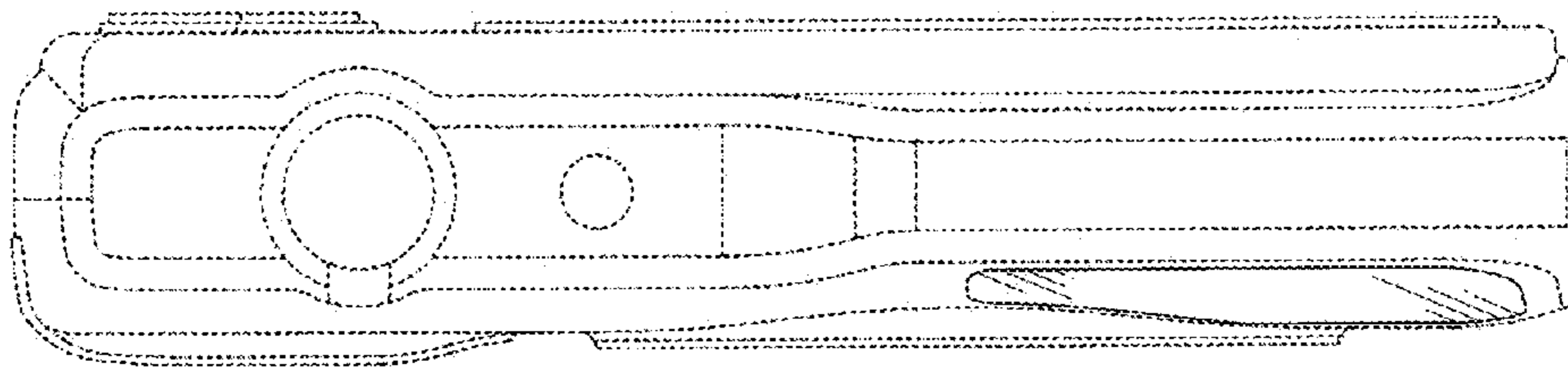


FIG.5

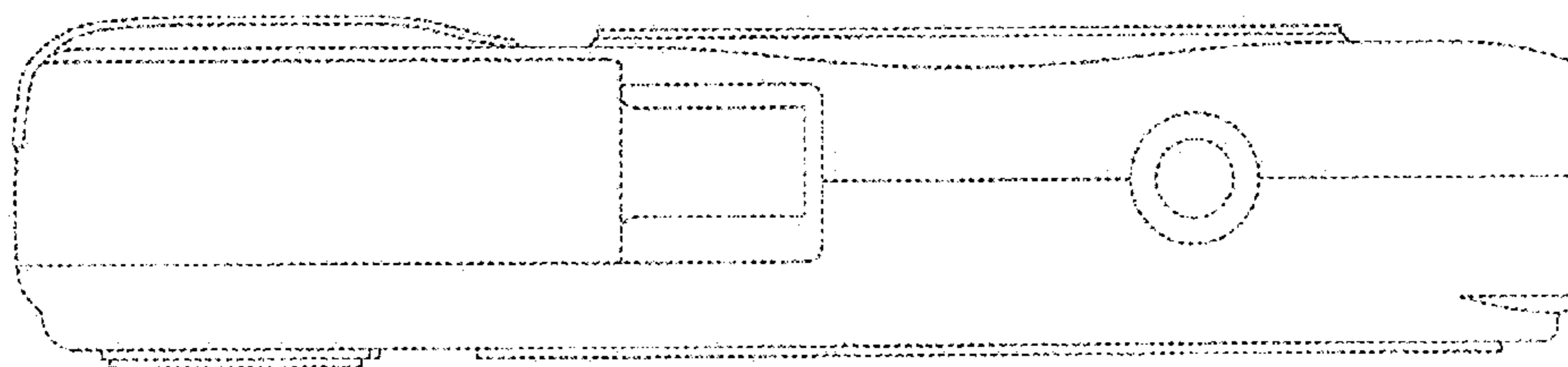


FIG.6

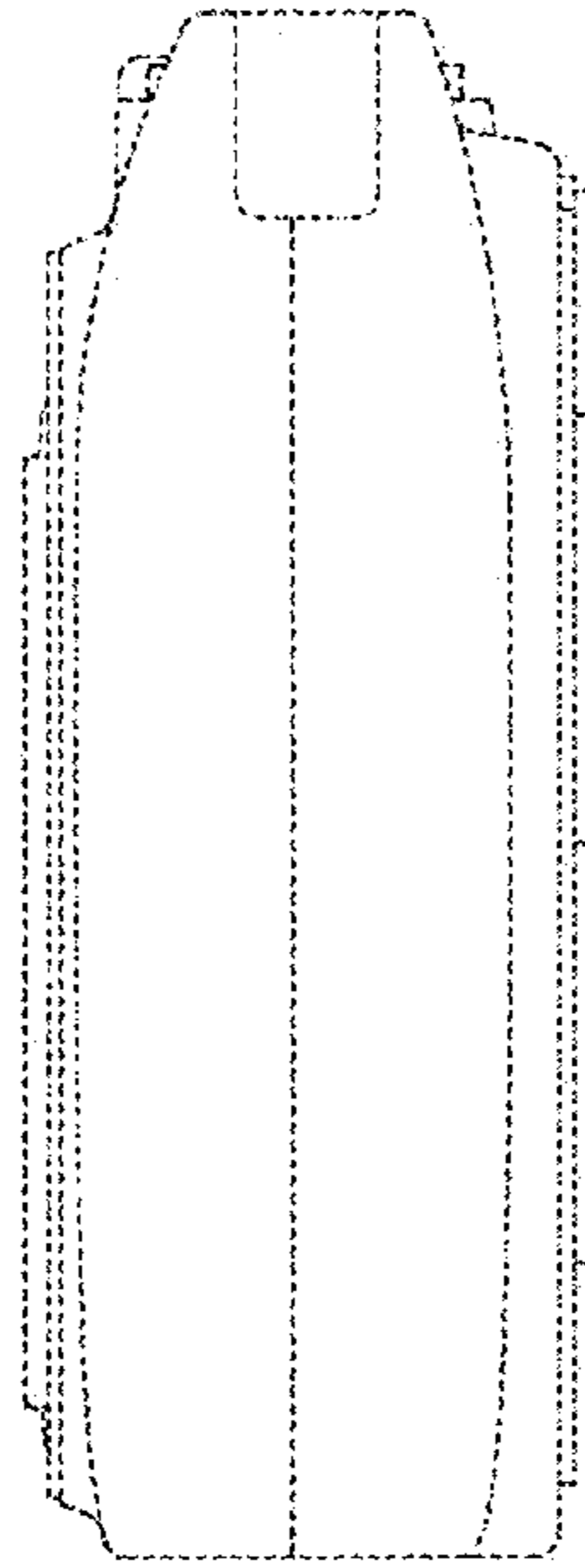


FIG.7

