



US00D684205S

(12) **United States Design Patent**
Wu

(10) **Patent No.:** **US D684,205 S**
(45) **Date of Patent:** **** Jun. 11, 2013**

(54) **INFRARED CAMERA**

(56) **References Cited**

(75) Inventor: **Jiping Wu**, Guangzhou (CN)
(73) Assignee: **Guangzhou Sat Infrared Technology**
(CN)

U.S. PATENT DOCUMENTS

D528,141	S	*	9/2006	Kinemura et al.	D16/202
D557,300	S	*	12/2007	Wu	D16/202
D609,728	S	*	2/2010	Tashima	D16/202
D629,434	S	*	12/2010	Kawahara	D16/202
7,927,029	B2	*	4/2011	Fujii et al.	396/448
8,010,311	B1	*	8/2011	Warnke et al.	348/164

(**) Term: **14 Years**

* cited by examiner

(21) Appl. No.: **29/386,619**

Primary Examiner — Adir Aronovich

(22) Filed: **Mar. 3, 2011**

(74) *Attorney, Agent, or Firm* — Ballard Spahr LLP

(30) **Foreign Application Priority Data**

(57) **CLAIM**

The ornamental design for an infrared camera, as shown and described.

Sep. 6, 2010 (CN) 2010 3 0506719
Jan. 25, 2011 (EP) 001810417-0005

DESCRIPTION

(51) **LOC (9) Cl.** **16-05**

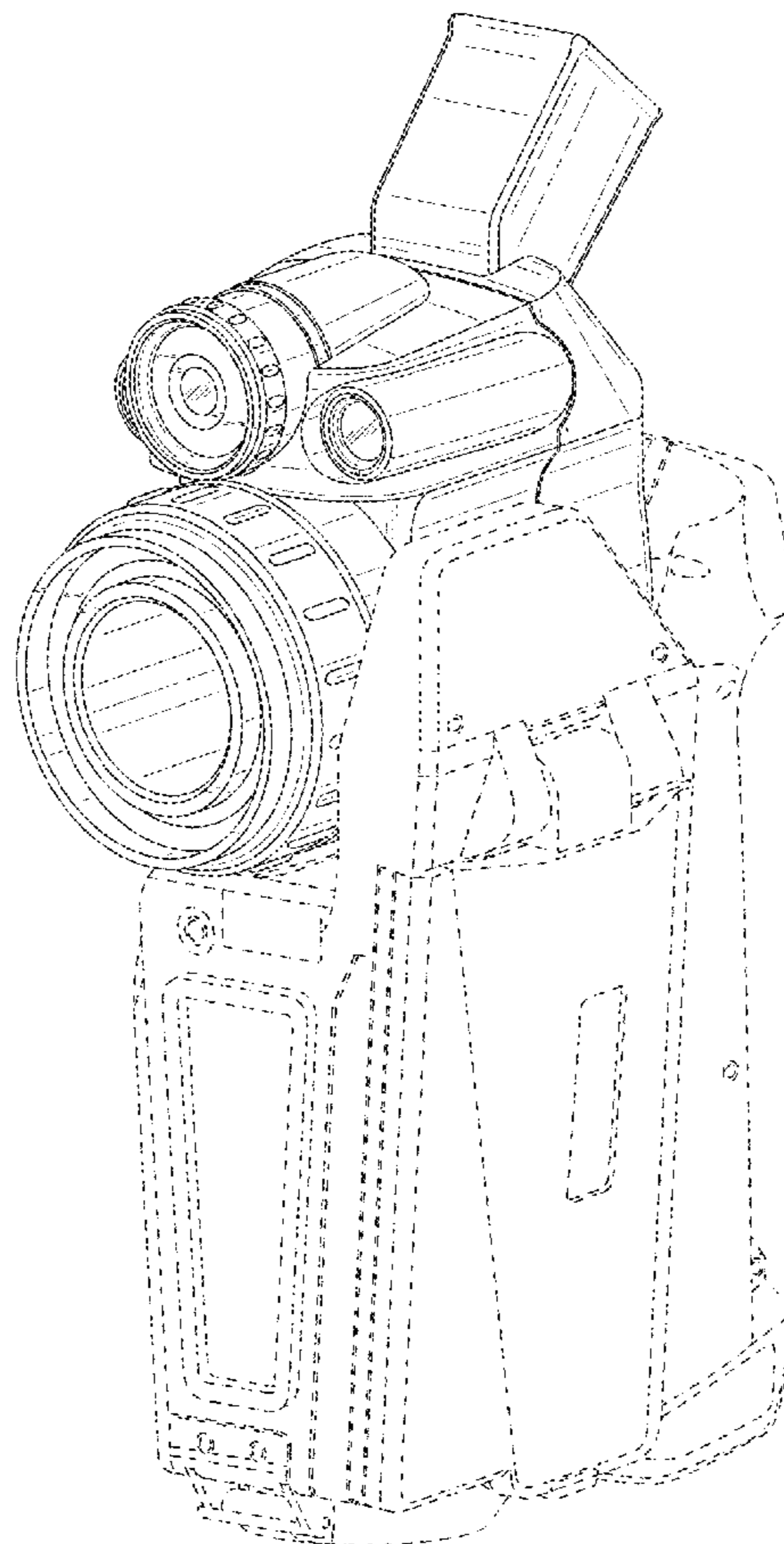
(52) **U.S. Cl.**
USPC **D16/219; D16/207**

(58) **Field of Classification Search**
USPC . D16/200–205, 208, 218, 207, 219; 348/164,
348/373; 358/906; 396/535–541

FIG. 1 is a left side elevational view of an infrared camera showing my new design;
FIG. 2 right side elevational view thereof;
FIG. 3 is a bottom plan view thereof;
FIG. 4 is a top plan view thereof;
FIG. 5 rear elevational view thereof;
FIG. 6 front elevational view thereof; and,
FIG. 7 is a front perspective view thereof.
The broken lines in FIGS. 1-7 are for illustrative purposes only and form no part of the claimed design.

See application file for complete search history.

1 Claim, 4 Drawing Sheets



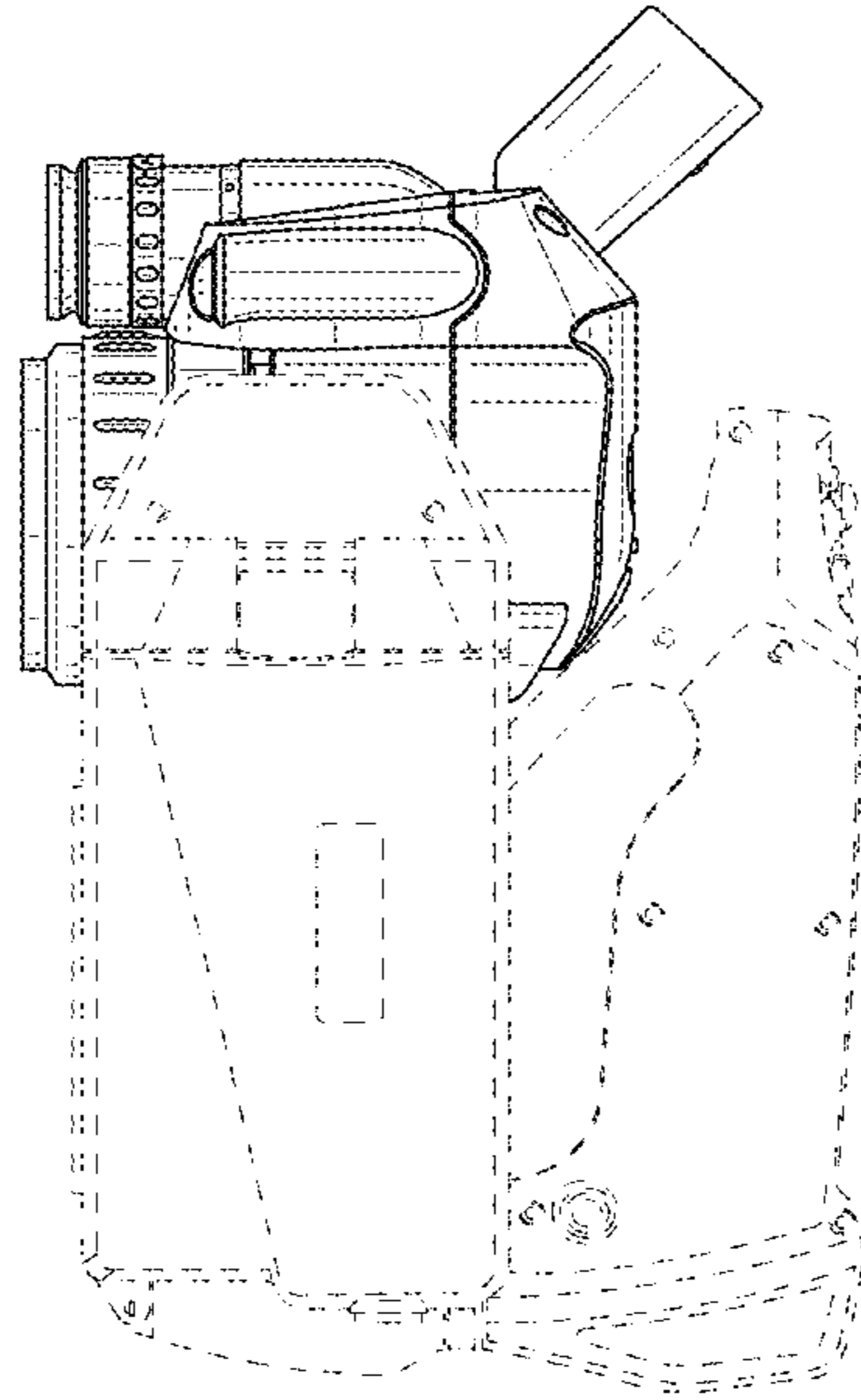


FIG. 1

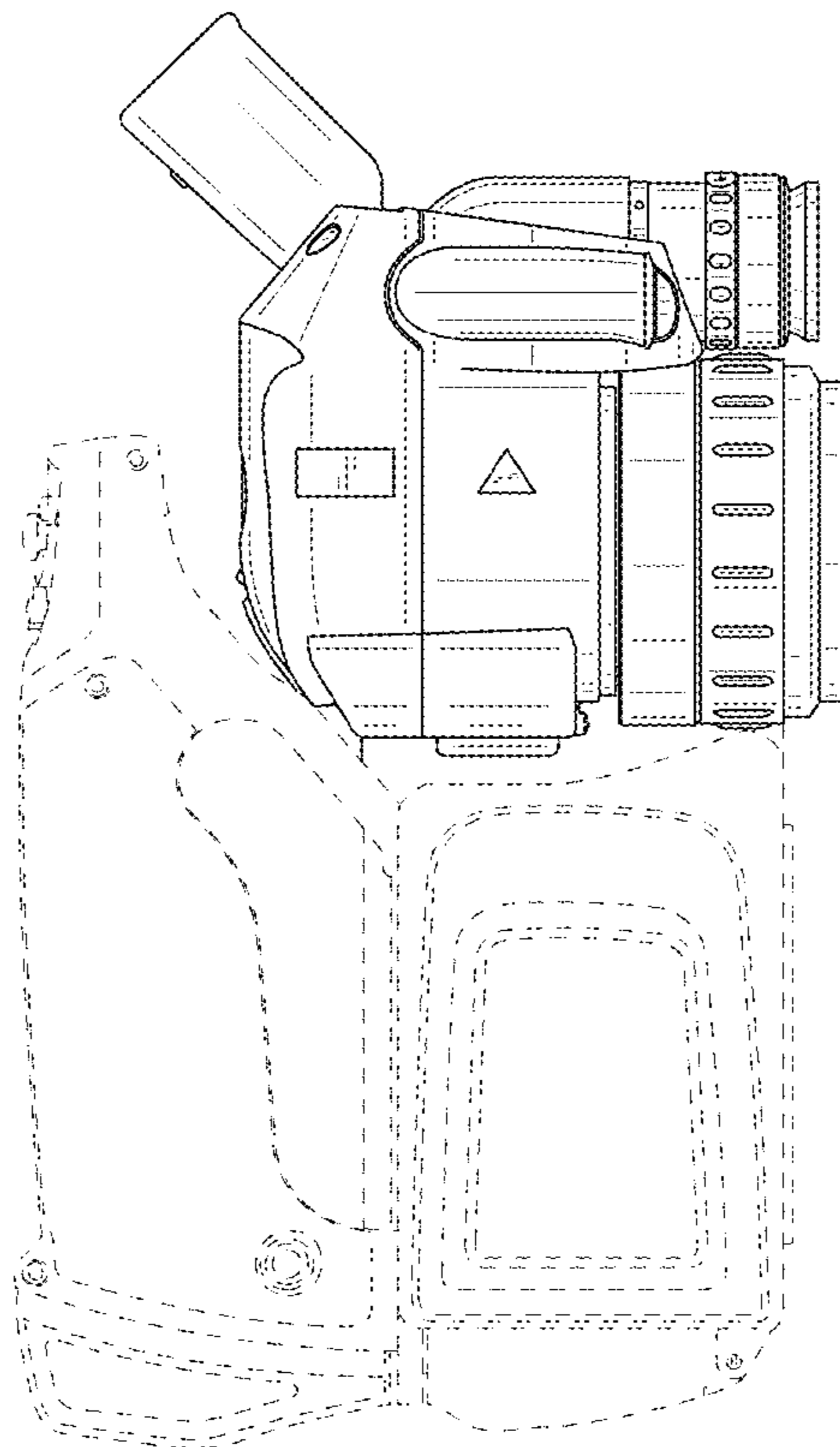


FIG. 2

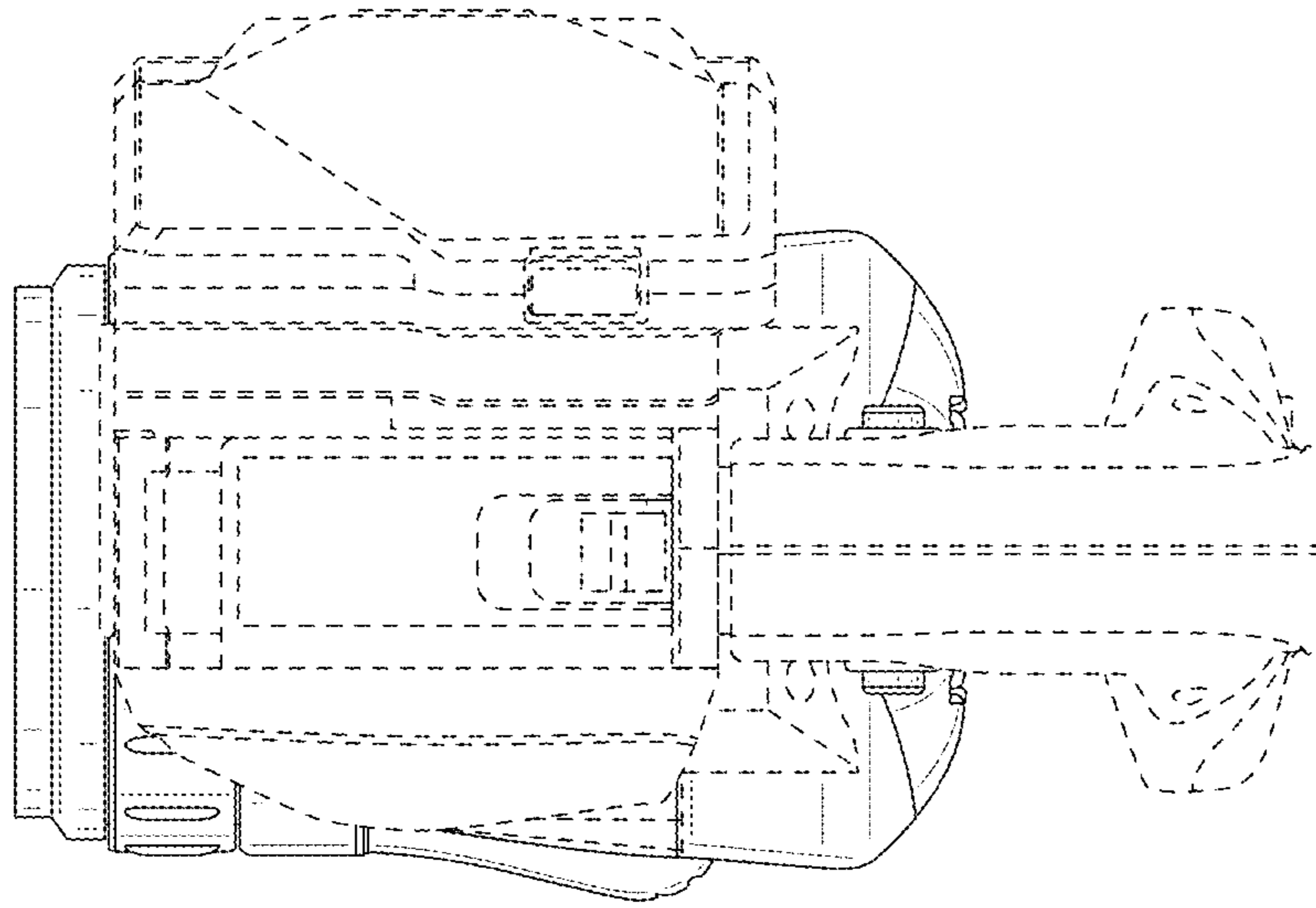


FIG. 3

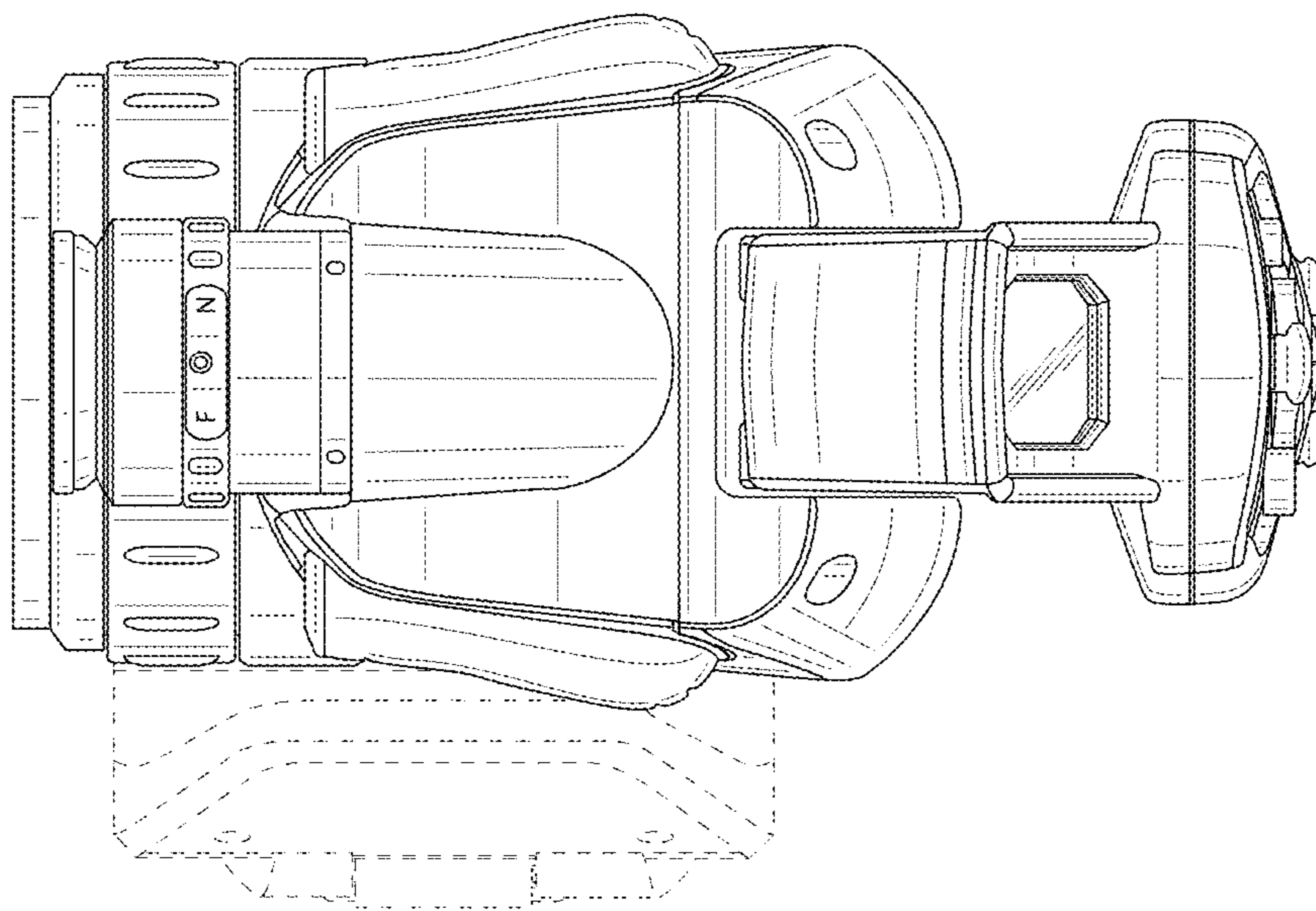


FIG. 4

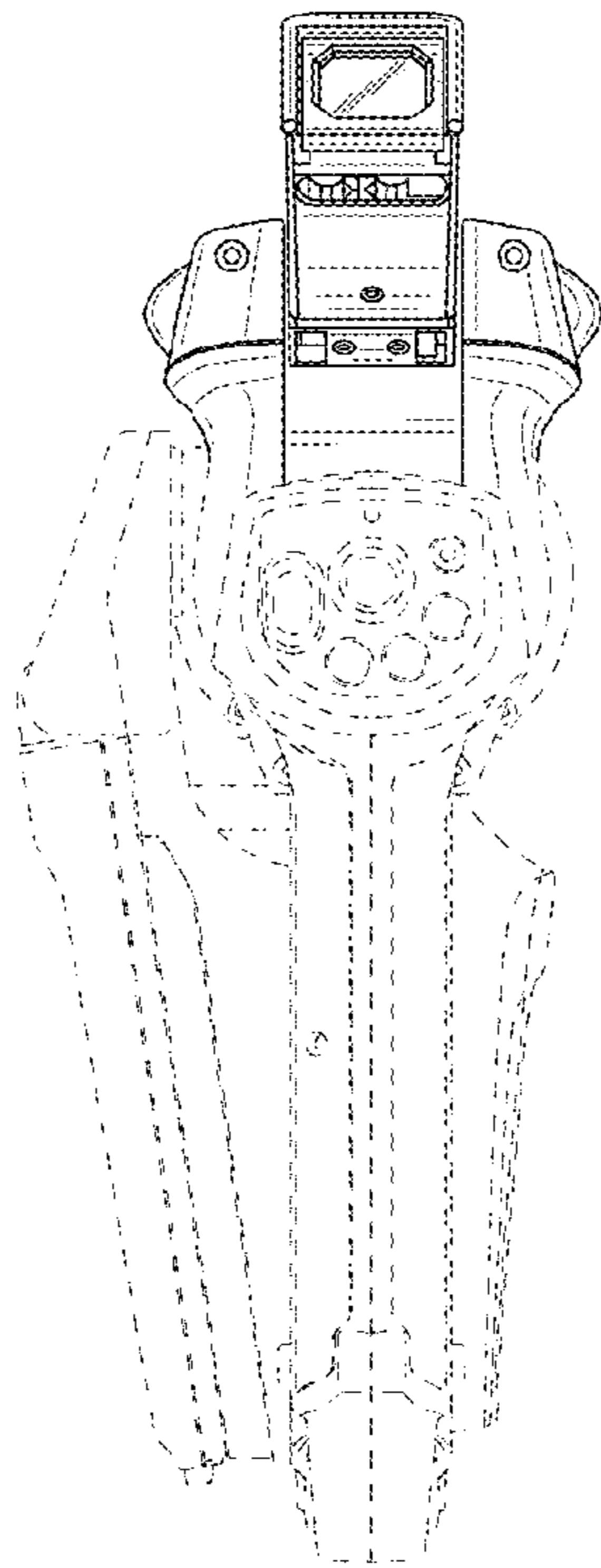


FIG. 5

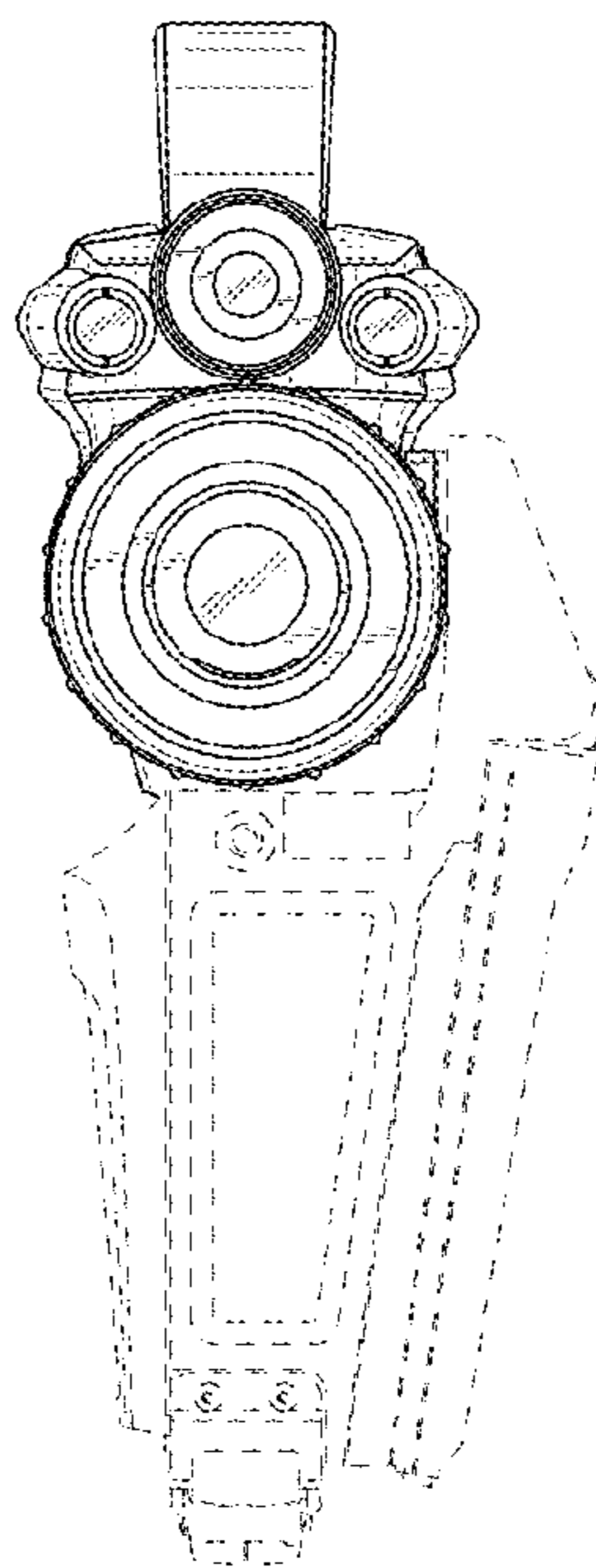


FIG. 6

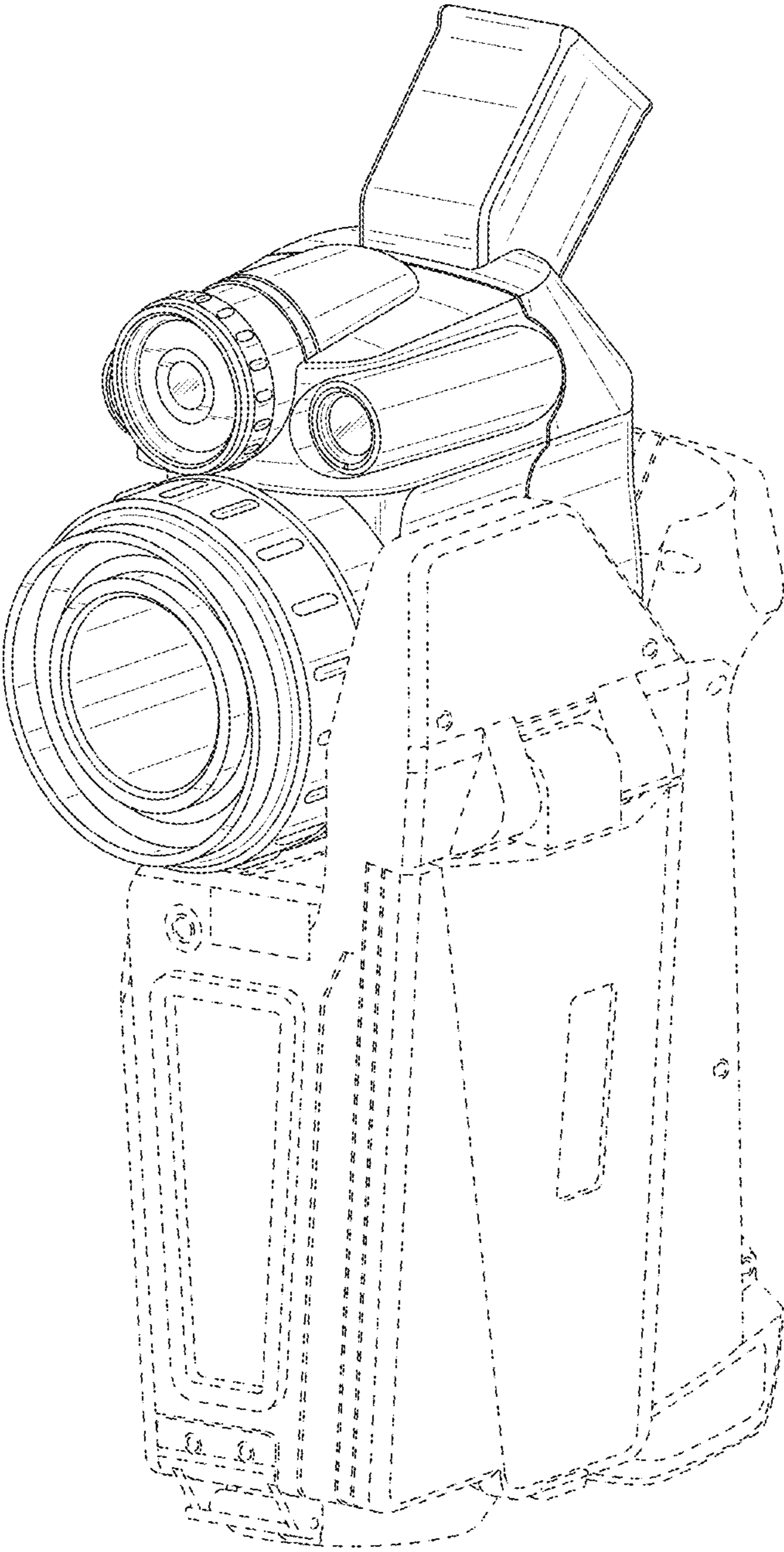


FIG. 7