



US00D684204S

(12) **United States Design Patent**  
**Uemachi**

(10) **Patent No.:** **US D684,204 S**  
(45) **Date of Patent:** **\*\* Jun. 11, 2013**

(54) **DIGITAL CAMERA**

(75) Inventor: **Tatsuya Uemachi**, Kanagawa pref. (JP)

(73) Assignee: **Nikon Corporation**, Tokyo (JP)

(\*\*) Term: **14 Years**

(21) Appl. No.: **29/415,409**

(22) Filed: **Mar. 9, 2012**

(30) **Foreign Application Priority Data**

Sep. 20, 2011 (JP) ..... 2011-021402

(51) **LOC (9) Cl.** ..... **16-01**

(52) **U.S. Cl.**  
USPC ..... **D16/202; D16/200**

(58) **Field of Classification Search**  
USPC ..... D16/200, 202, 208, 212, 218, 219;  
348/373-376; 358/909.1; 396/535, 540, 541  
See application file for complete search history.

(56) **References Cited**

**U.S. PATENT DOCUMENTS**

D540,356 S \* 4/2007 Ina et al. .... D16/202  
D547,349 S \* 7/2007 Sakaguchi et al. .... D16/219  
D554,681 S \* 11/2007 Ogino et al. .... D16/202  
D561,222 S \* 2/2008 Yoo et al. .... D16/212

D576,191 S \* 9/2008 Shimobayashi ..... D16/202  
D605,678 S \* 12/2009 Shimobayashi ..... D16/202  
7,646,426 B2 \* 1/2010 Saiki et al. .... 348/373  
7,929,859 B2 \* 4/2011 Saiki ..... 396/535

\* cited by examiner

*Primary Examiner* — Adir Aronovich

(74) *Attorney, Agent, or Firm* — Wolf, Greenfield & Sacks,  
P.C.; Randy J. Pritzker

(57) **CLAIM**

The ornamental design for a digital camera, as shown and described.

**DESCRIPTION**

FIG. 1 is a front perspective view of a digital camera showing my new design;

FIG. 2 is a rear perspective view thereof;

FIG. 3 is a front elevational view thereof;

FIG. 4 is a rear elevational view thereof;

FIG. 5 is a top plan view thereof;

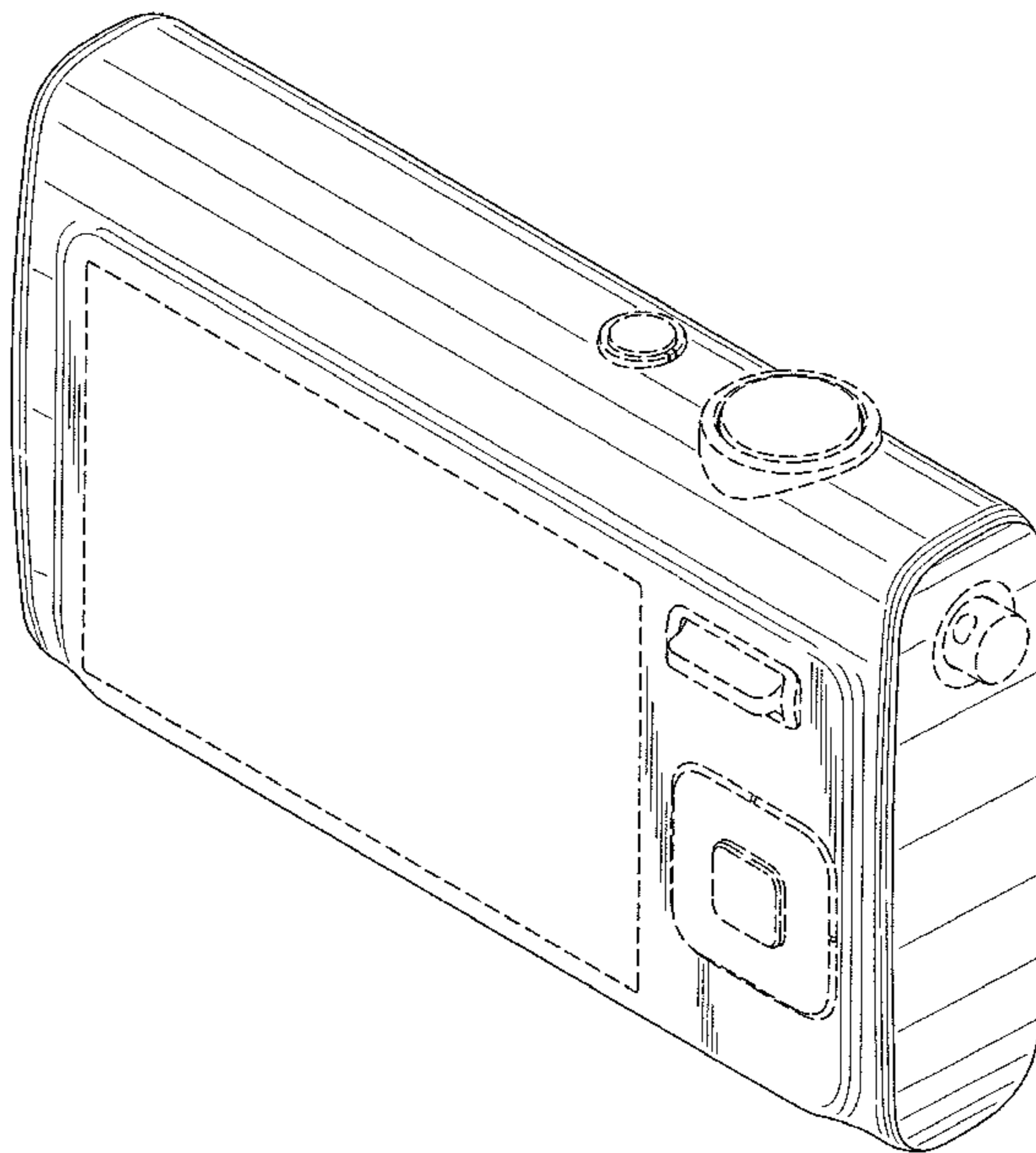
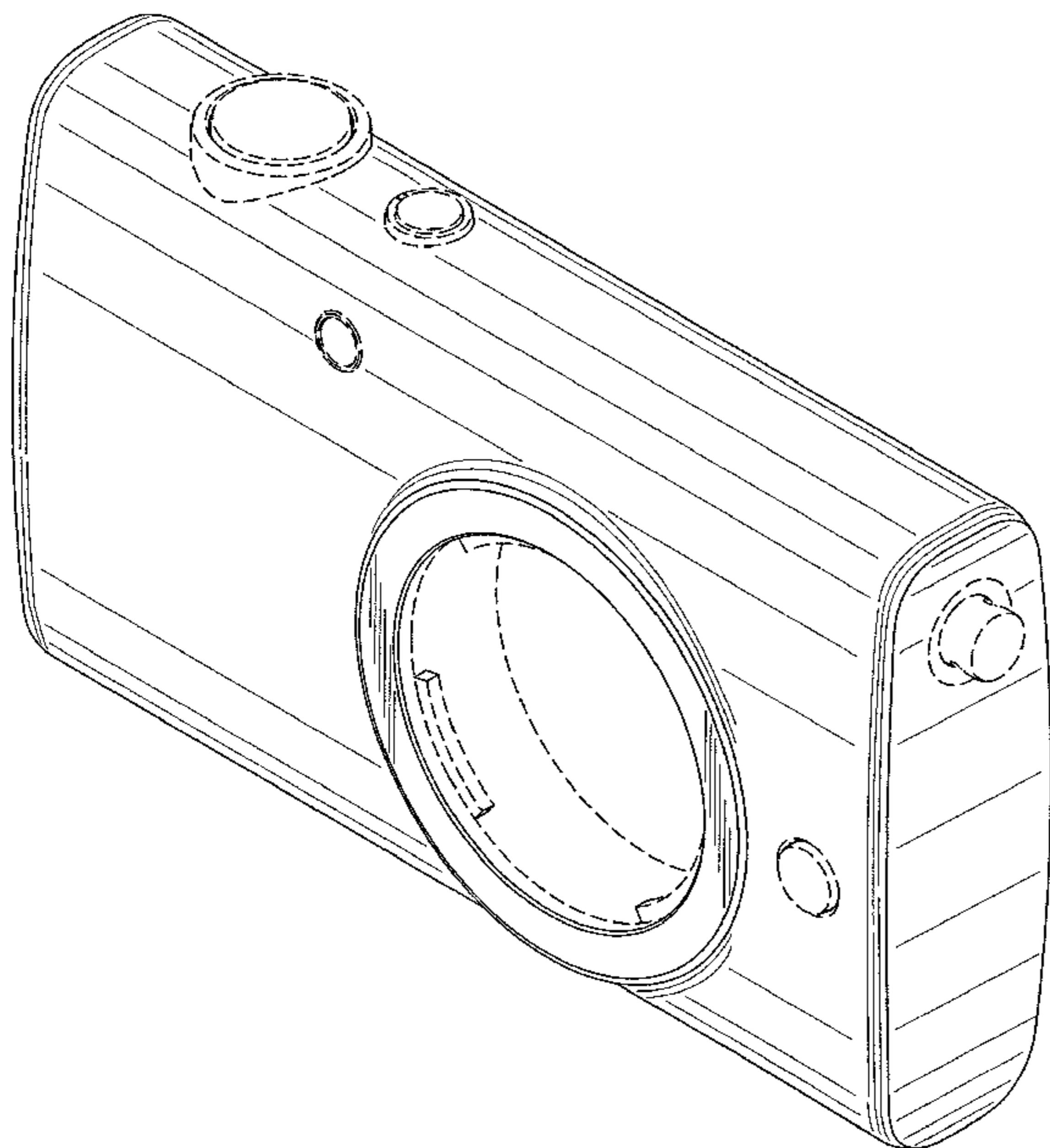
FIG. 6 is a bottom plan view thereof;

FIG. 7 is a right side elevational view thereof; and,

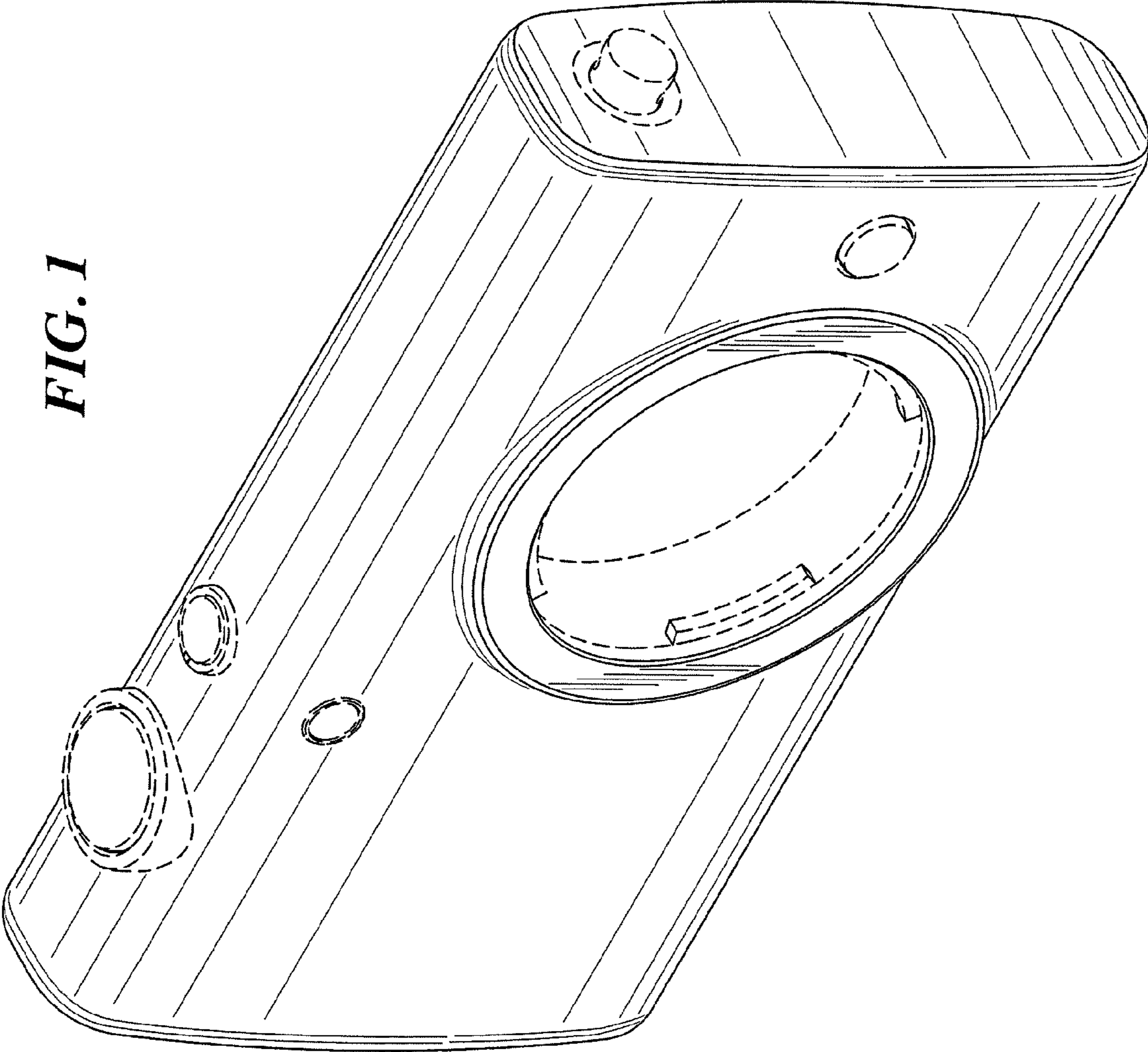
FIG. 8 is a left side elevational view thereof.

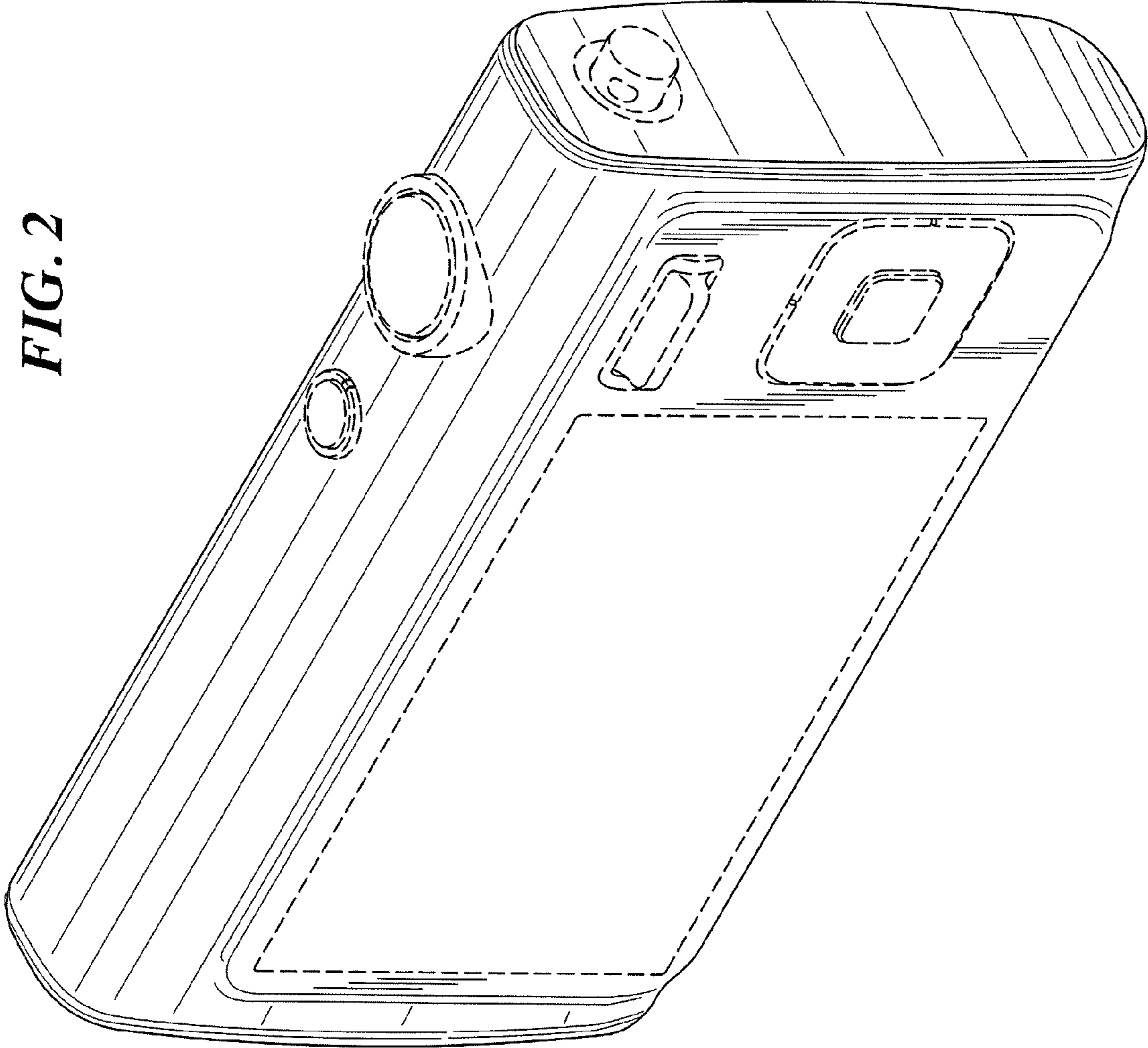
The features shown in broken lines in the drawings depict environmental subject matter only and form no part of the claimed design.

**1 Claim, 6 Drawing Sheets**



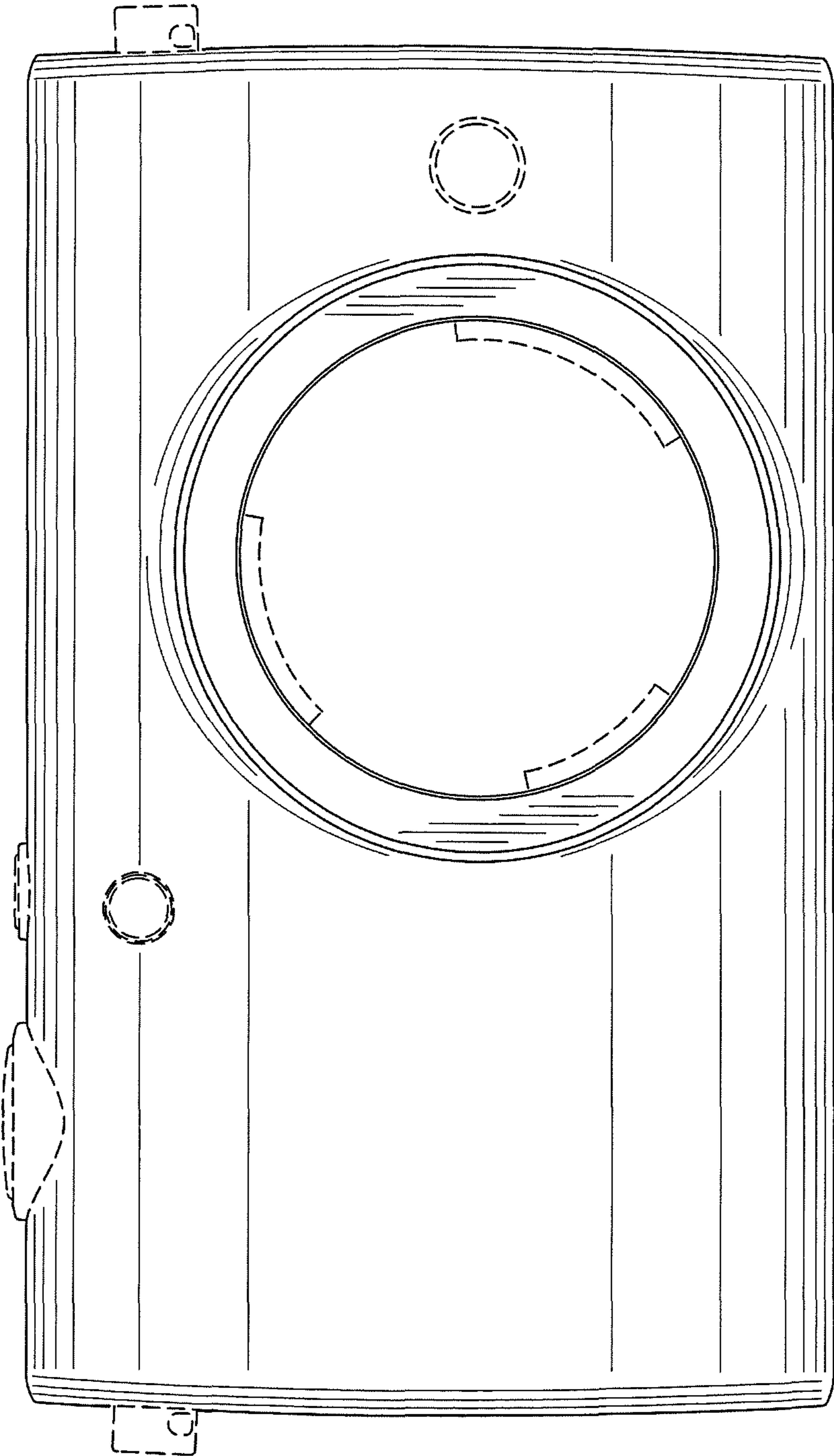
**FIG. 1**



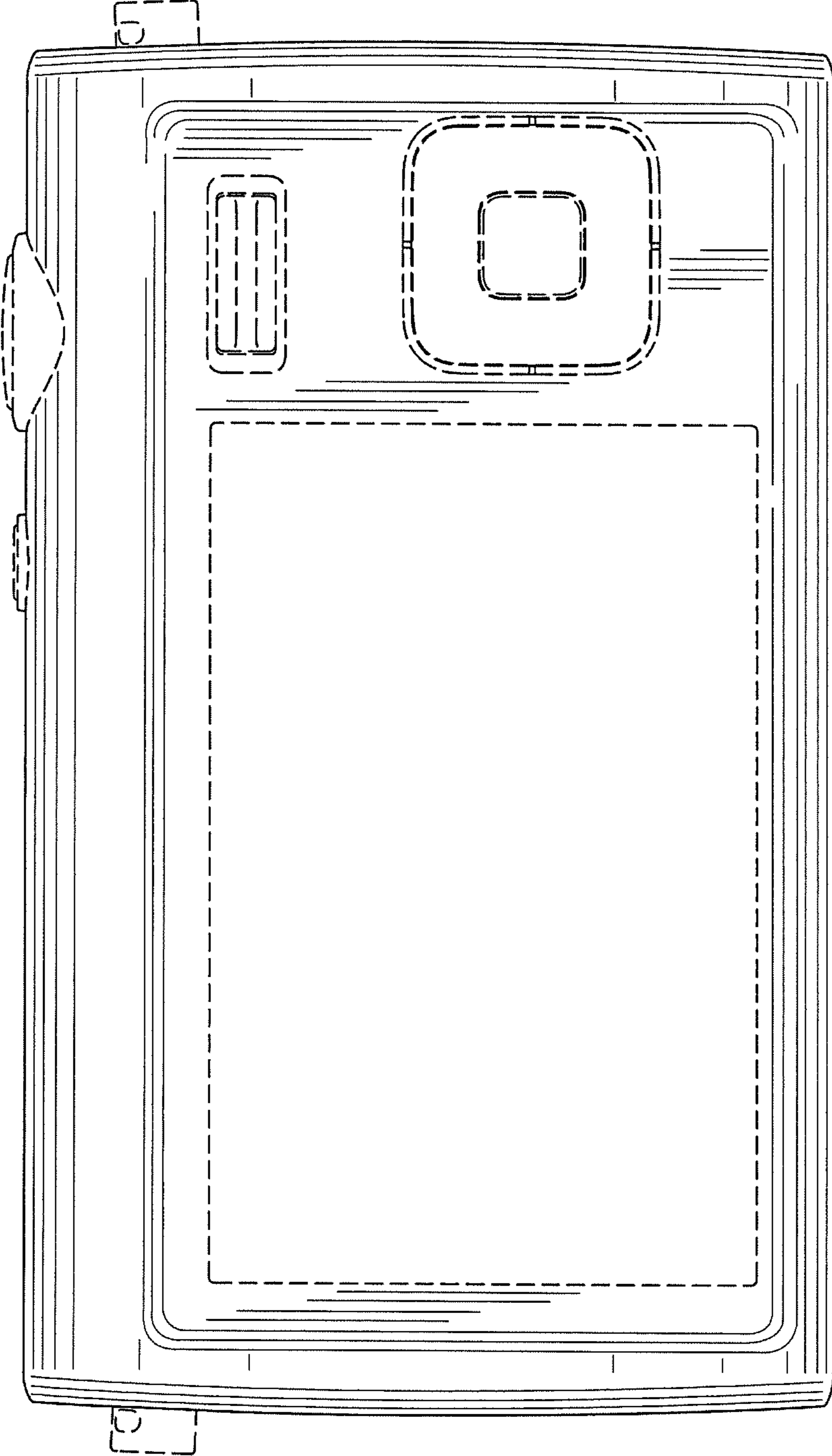


**FIG. 2**

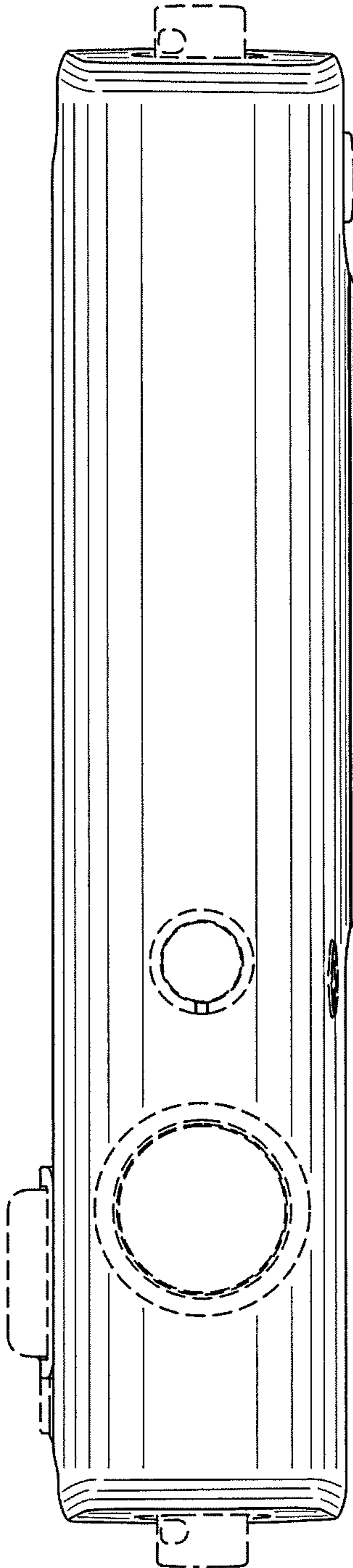
**FIG. 3**



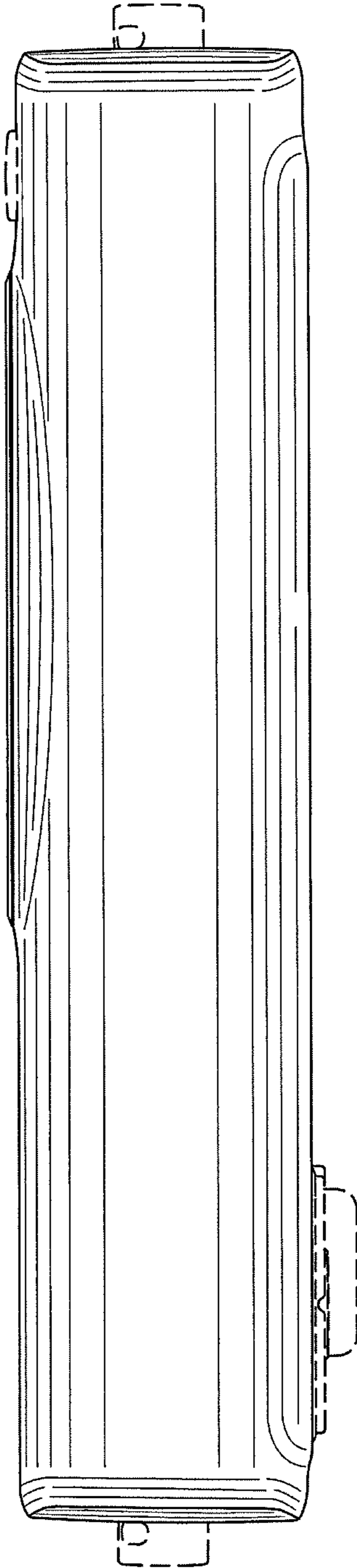
**FIG. 4**



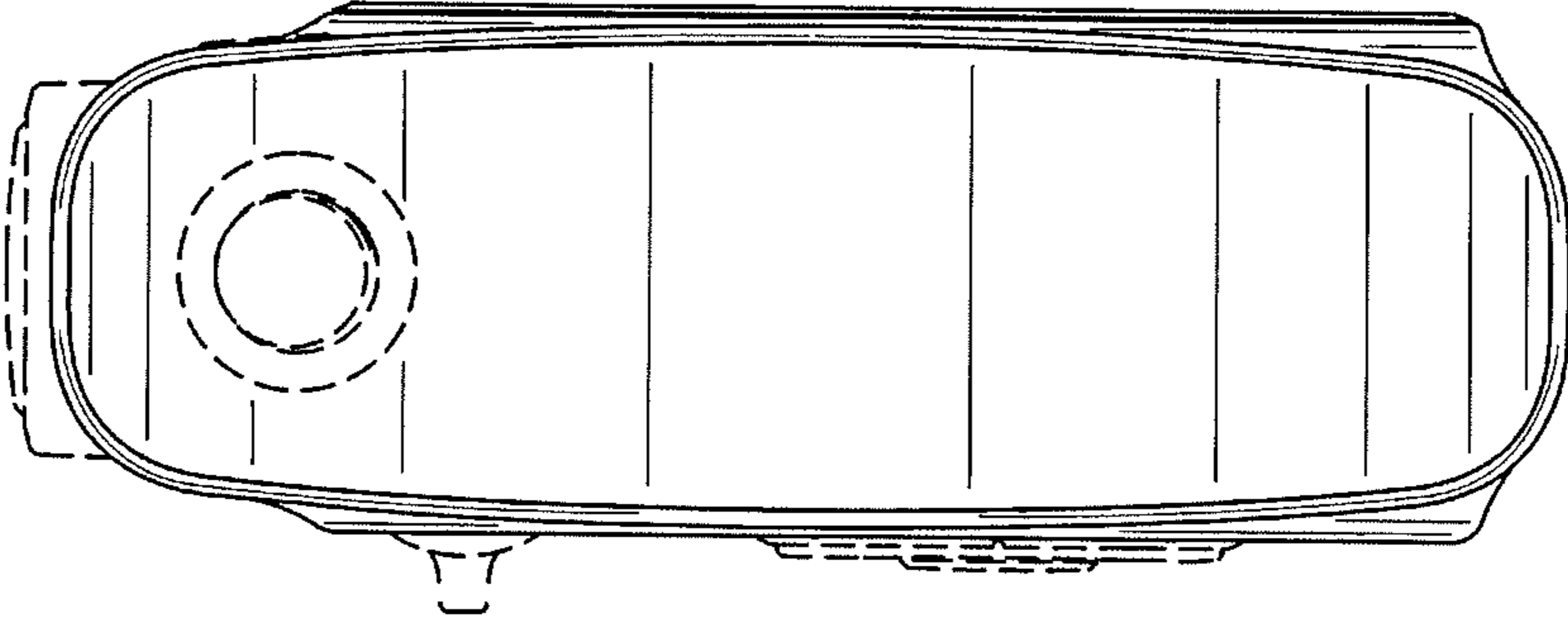
*FIG. 5*



*FIG. 6*



*FIG. 8*



*FIG. 7*

