



US00D684202S

(12) **United States Design Patent**
Radau et al.

(10) **Patent No.:** **US D684,202 S**
(45) **Date of Patent:** **** Jun. 11, 2013**

(54) **BINOCULARS**

(75) Inventors: **Nils Radau, Salzburg (AT); André Marsiglia, Bad Vigaun (AT)**

(73) Assignee: **Carl Zeiss Sports Optics GmbH, Wetzlar (DE)**

(**) Term: **14 Years**

(21) Appl. No.: **29/419,374**

(22) Filed: **Apr. 27, 2012**

(51) **LOC (9) Cl.** **16-06**

(52) **U.S. Cl.**
USPC **D16/133**

(58) **Field of Classification Search**
USPC D16/133; 359/407-414, 415-416,
359/418-420, 804, 809, 811, 816, 817,
823-826, 831, 835
See application file for complete search history.

(56) **References Cited**

U.S. PATENT DOCUMENTS

D182,304 S *	3/1958	Rosiello	D16/133
3,484,149 A *	12/1969	Becker et al.	359/414
D240,458 S *	7/1976	Takabashi et al.	D16/133
4,186,992 A *	2/1980	Kamakura	359/416
4,329,013 A *	5/1982	Hengst	359/418
D299,724 S *	2/1989	Aoki	D16/133
4,848,887 A *	7/1989	Addy et al.	359/413
D346,175 S *	4/1994	Chan	D16/133

D395,055 S *	6/1998	Lee	D16/133
5,777,785 A *	7/1998	Ishikawa	359/425
D412,921 S *	8/1999	Hayamizu	D16/133
D479,256 S *	9/2003	Matsushita	D16/133
D519,538 S *	4/2006	Hayamizu	D16/133
D523,454 S *	6/2006	Fujii	D16/133
D590,856 S *	4/2009	Hayamizu	D16/133
D598,856 S *	8/2009	Stromiedel et al.	D13/133
D671,974 S *	12/2012	Wunnicke et al.	D16/133

* cited by examiner

Primary Examiner — Paula Greene

(74) *Attorney, Agent, or Firm* — Walter Ottesen

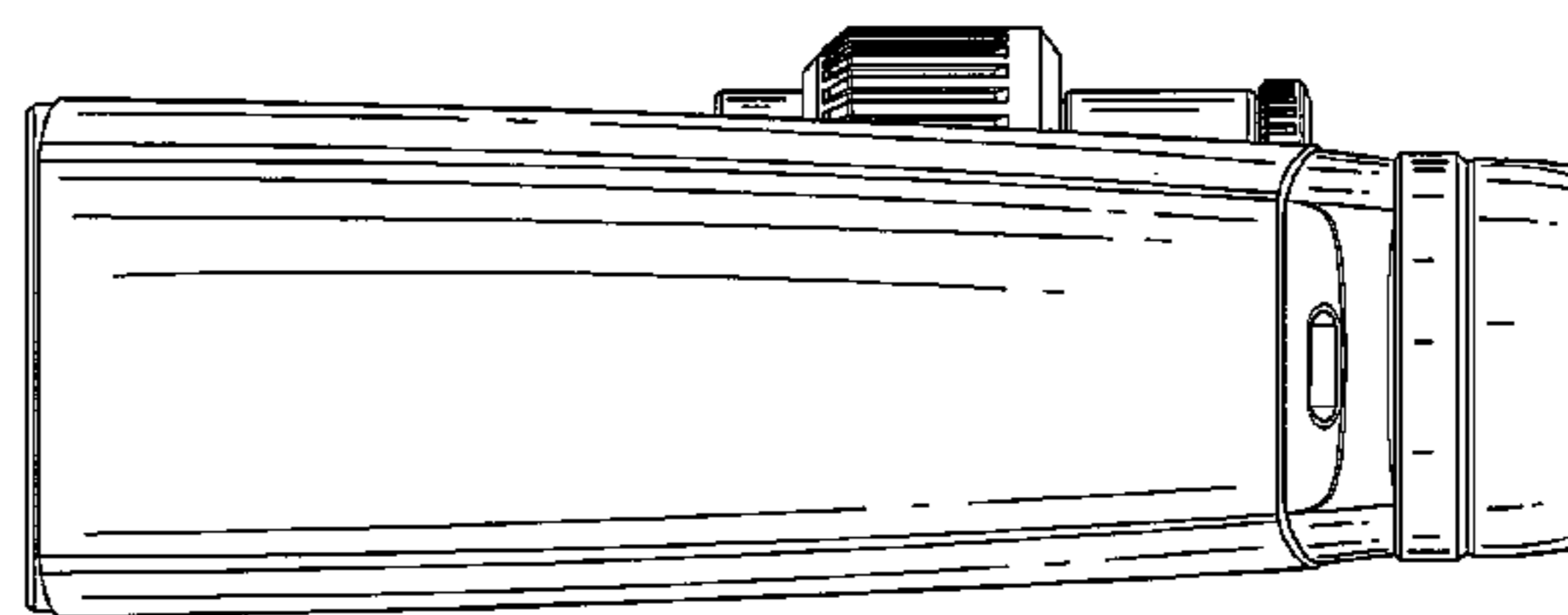
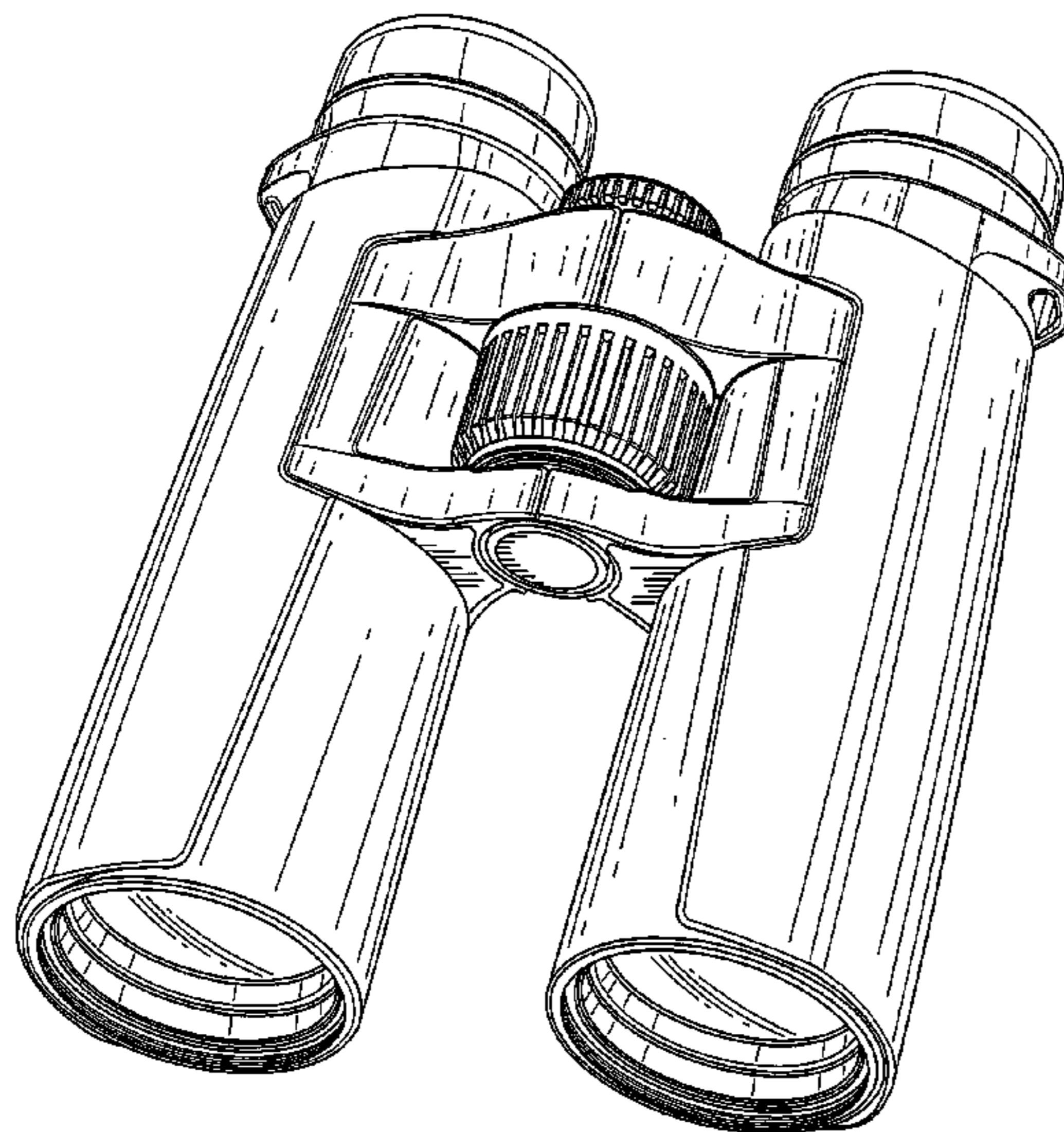
(57) **CLAIM**

The ornamental design for binoculars, as shown and described.

DESCRIPTION

FIG. 1 is a perspective view of a binoculars showing our new design;
FIG. 2 is a top plan view of the binoculars of FIG. 1;
FIG. 3 is a bottom plan view of the binoculars of FIG. 1;
FIG. 4 is a right side elevation view of the binoculars of FIG. 1;
FIG. 5 is a left side elevation view of the binoculars of FIG. 1;
FIG. 6 is a front elevation view of the binoculars of FIG. 1; and,
FIG. 7 is a rear elevation view of the binoculars of FIG. 1.
The broken lines form no part of the claimed design.

1 Claim, 6 Drawing Sheets



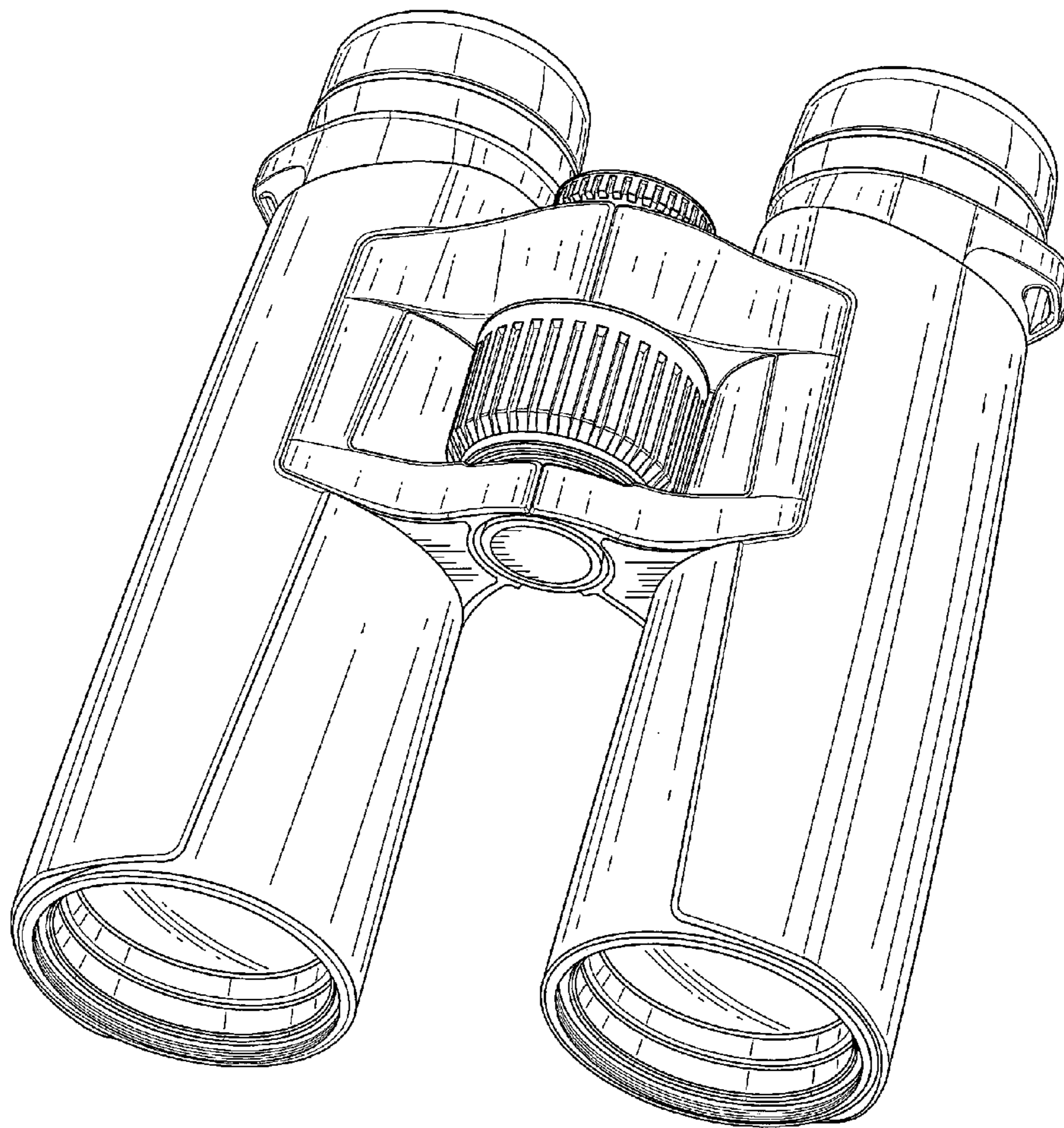


FIG. 1

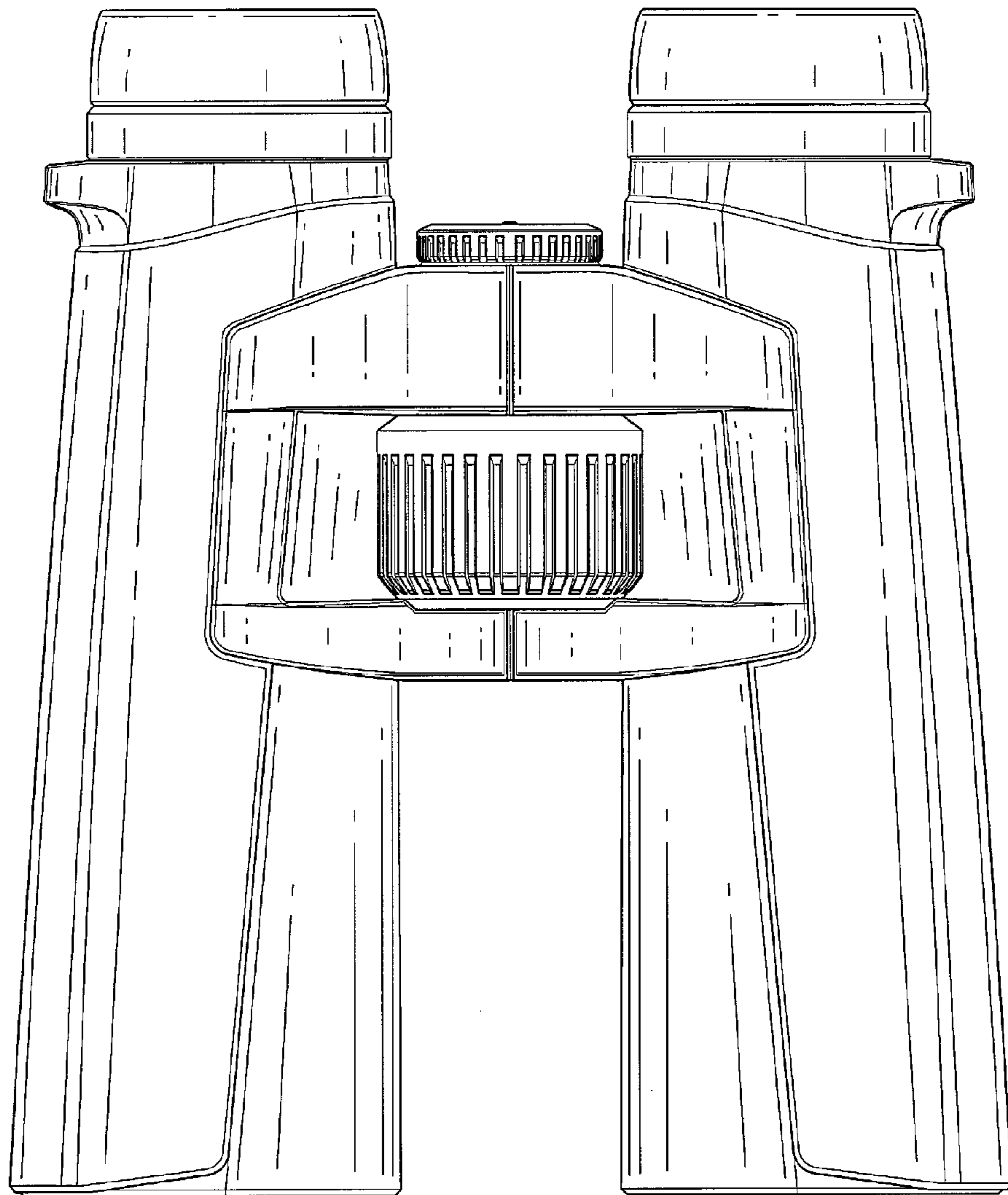


FIG. 2

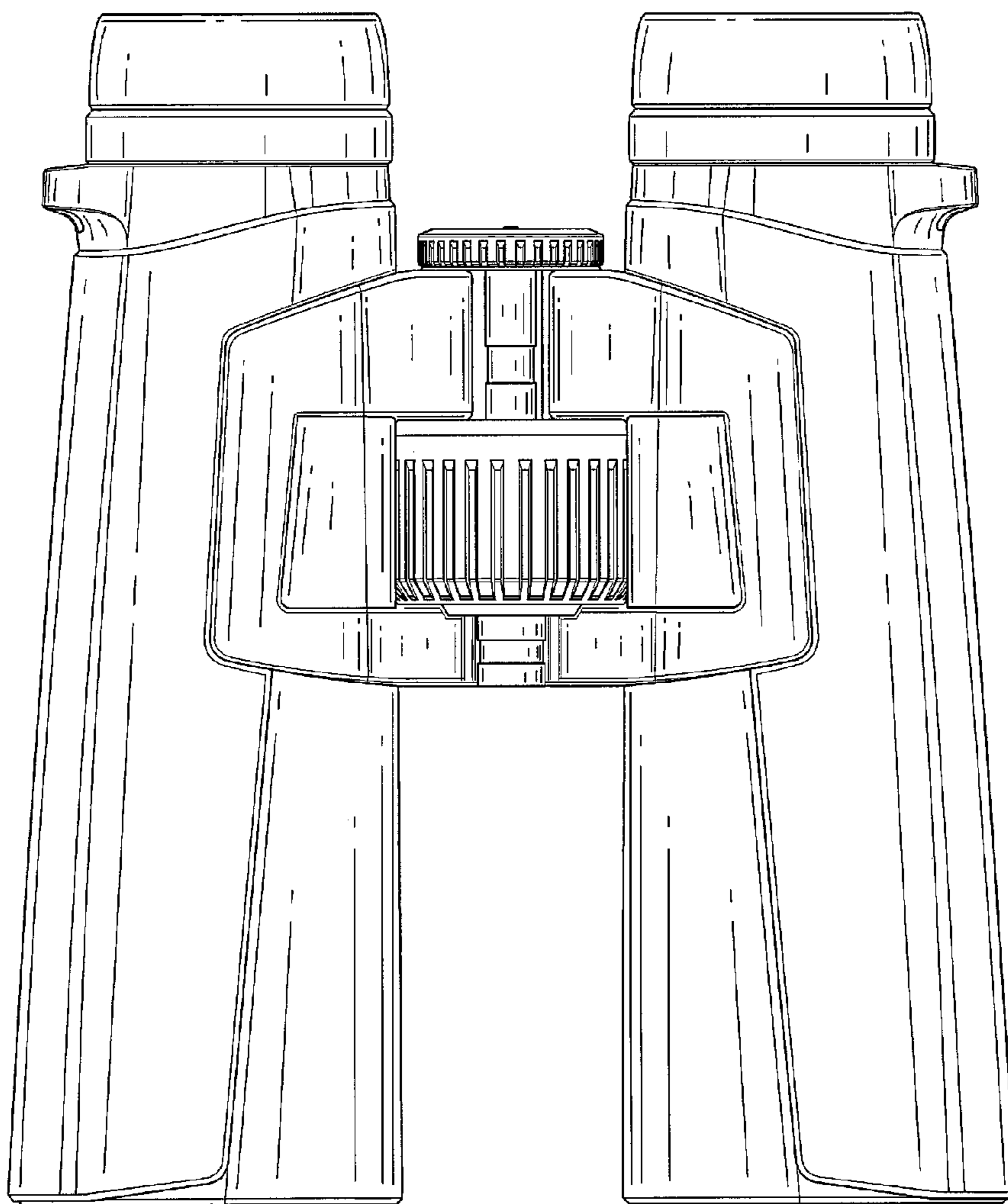


FIG. 3

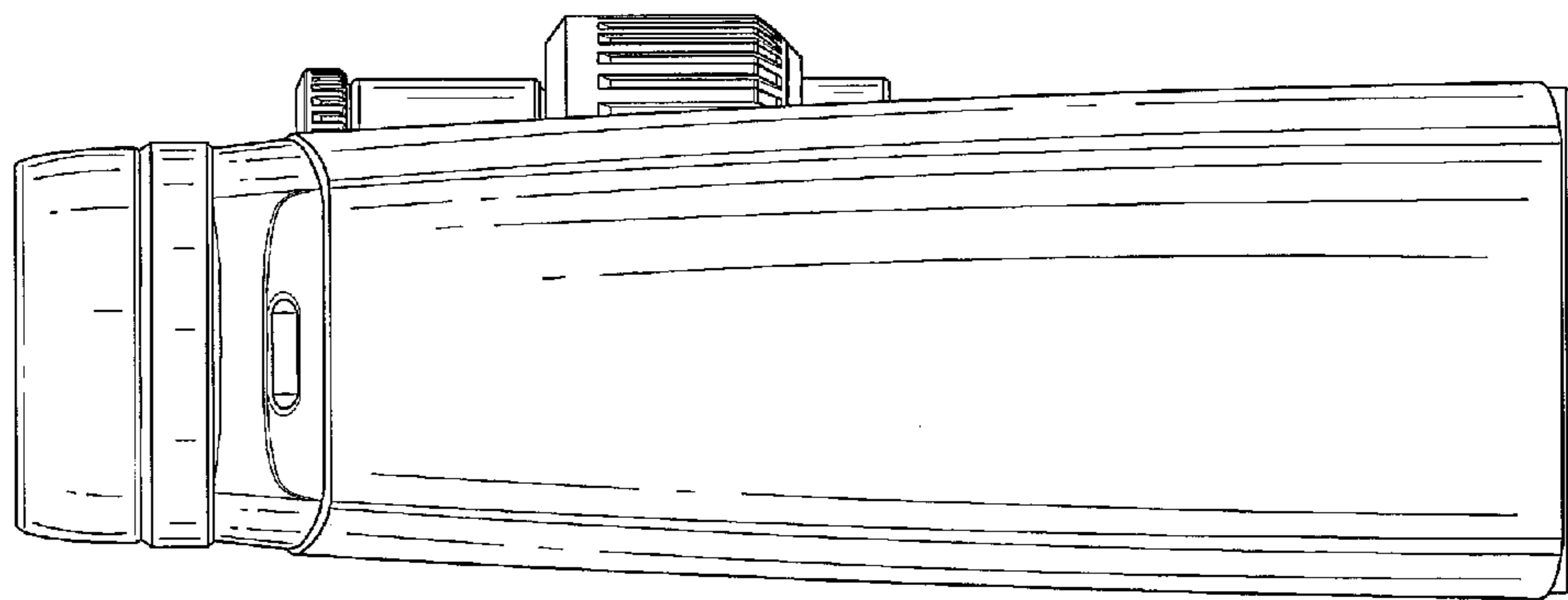


FIG. 4

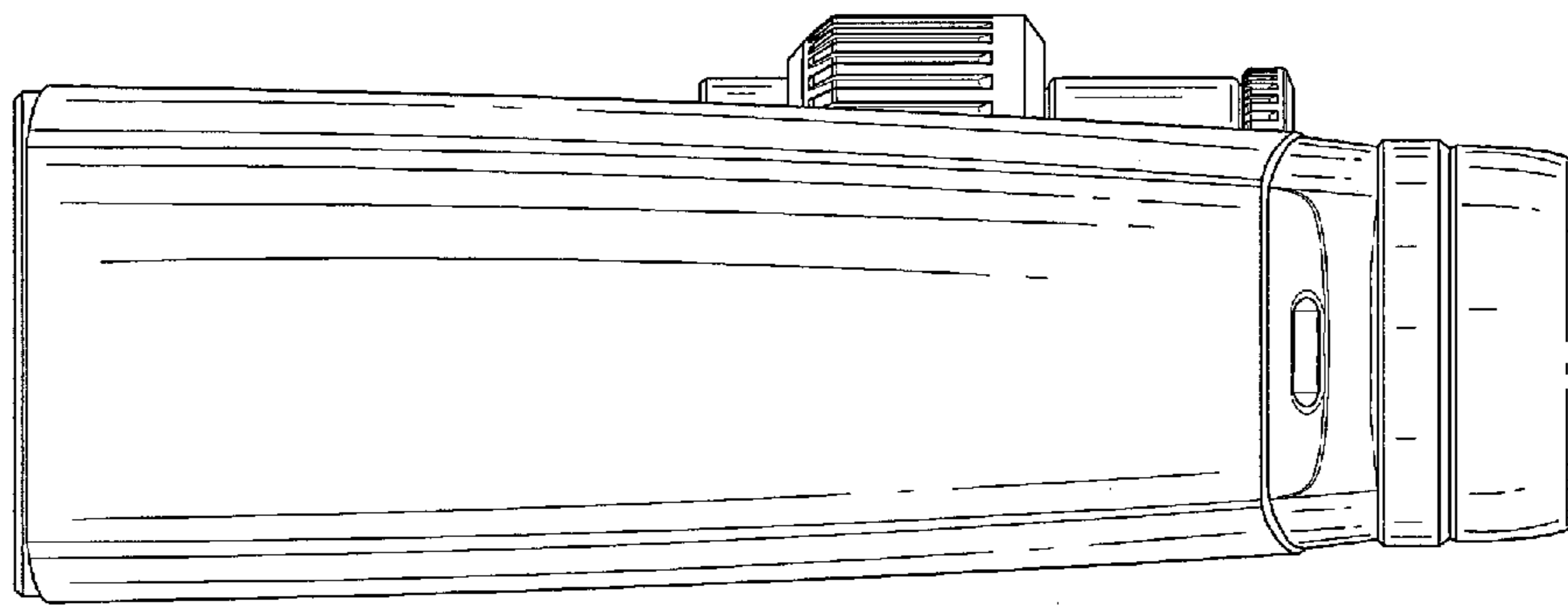


FIG. 5

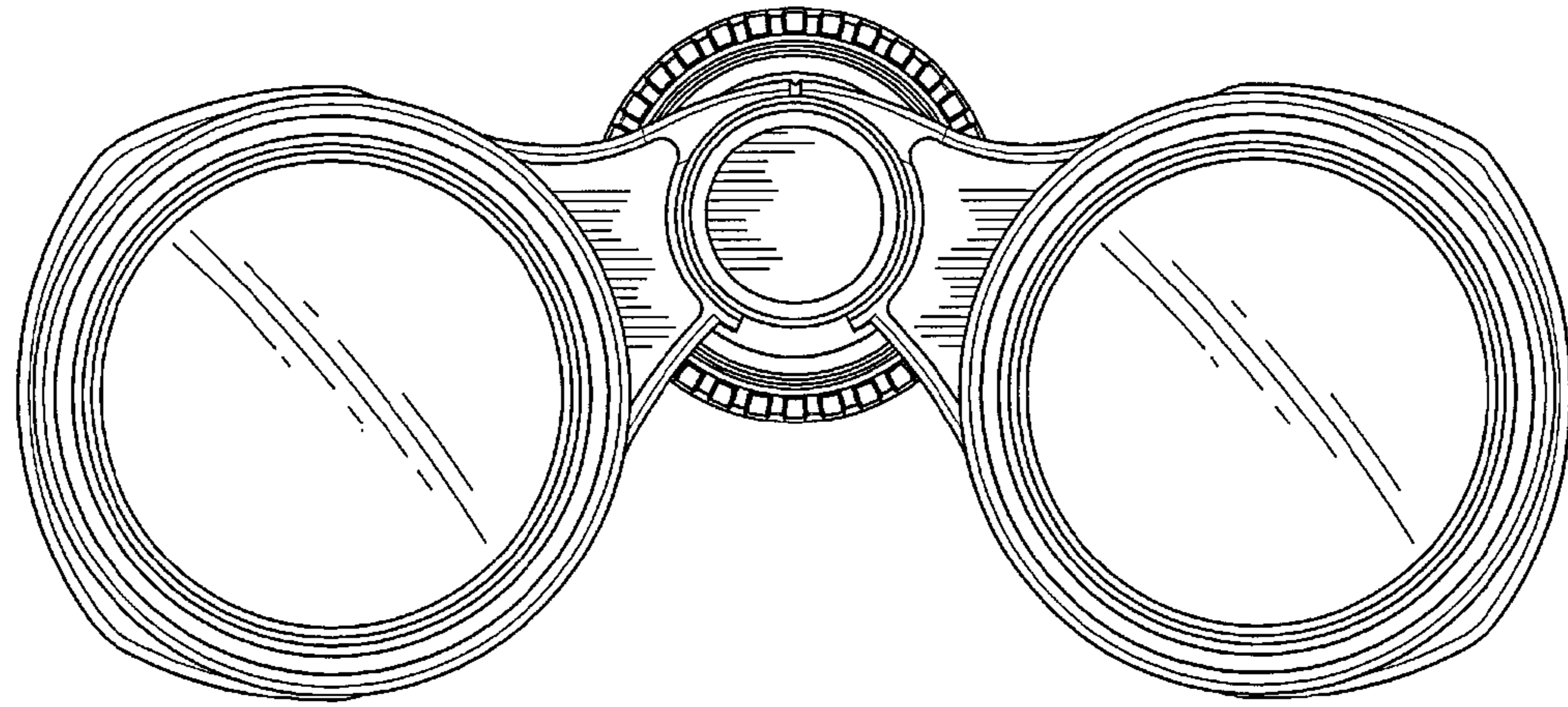


FIG. 6

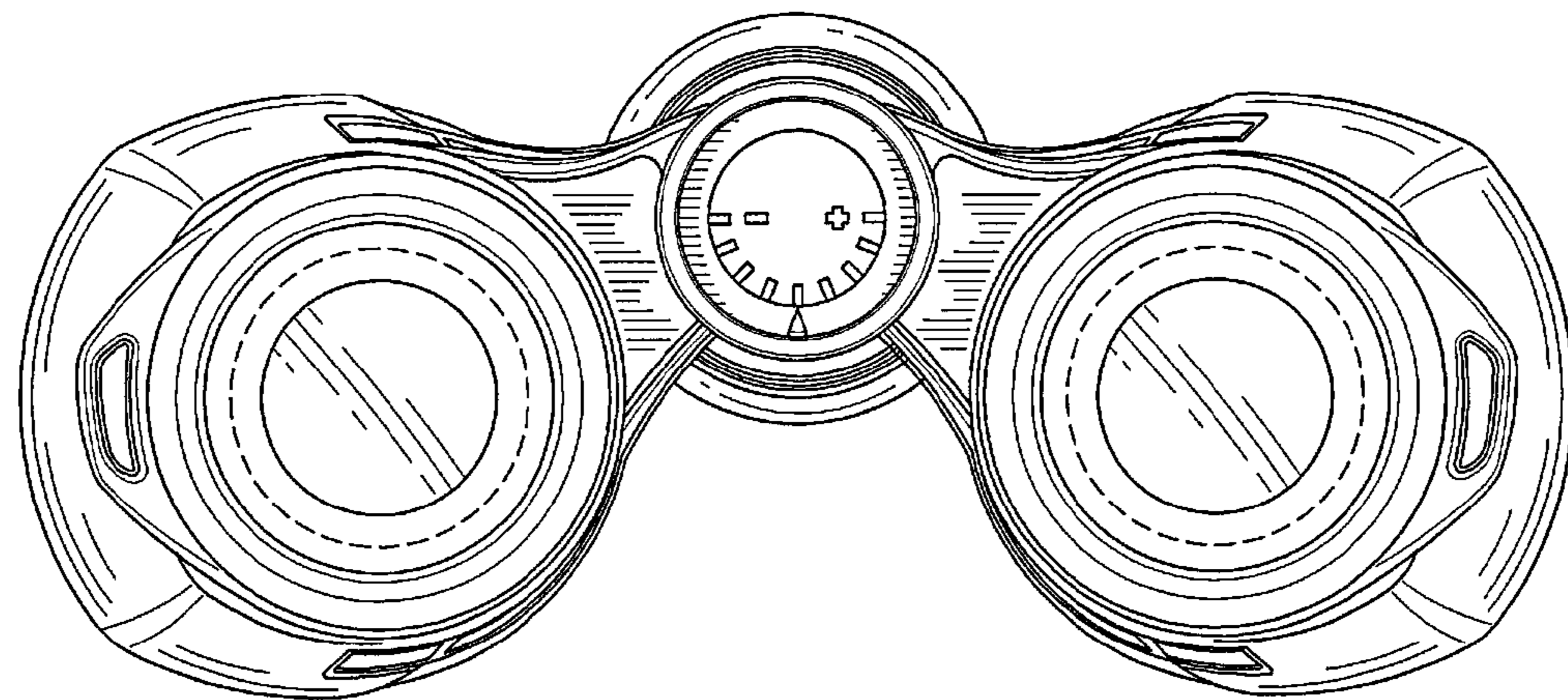


FIG. 7