



US00D684201S

(12) **United States Design Patent**
Thompson et al.

(10) **Patent No.:** **US D684,201 S**
(45) **Date of Patent:** **** Jun. 11, 2013**

(54) **CORROSION COUPON HOLDER**

(75) Inventors: **Kenneth O. Thompson**, Ravenswood, WV (US); **Glen D. Rinehart**, South Charleston, WV (US)

(73) Assignee: **Mustang Sampling, LLC**, Ravenswood, WV (US)

(**) Term: **14 Years**

(21) Appl. No.: **29/425,963**

(22) Filed: **Jun. 28, 2012**

Related U.S. Application Data

(63) Continuation-in-part of application No. 29/376,700, filed on Oct. 11, 2010, now abandoned.

(51) **LOC (9) Cl.** **15-09**

(52) **U.S. Cl.**
USPC **D15/140**

(58) **Field of Classification Search**
USPC D15/21, 140; 73/73, 86, 198, 861.25, 73/861.66, 863.82, 863.83, 863.86, 866.5, 73/866.83; 137/268; 422/53; 436/6
See application file for complete search history.

(56) **References Cited**

U.S. PATENT DOCUMENTS

4,120,313	A	10/1978	Lewis	
4,152,936	A	5/1979	Boykin et al.	
4,177,676	A	12/1979	Welker	
4,179,920	A *	12/1979	Schuller et al.	73/86
4,309,899	A	1/1982	Torres	
4,346,611	A	8/1982	Welker	
4,387,592	A	6/1983	Welker	
4,631,967	A	12/1986	Welker	
4,688,638	A *	8/1987	Williams	166/250.11
4,697,465	A *	10/1987	Evans et al.	73/866.5
4,928,760	A *	5/1990	Freitas	166/113
5,085,250	A	2/1992	Kendrick	

5,095,977	A *	3/1992	Ford	166/113
5,150,065	A *	9/1992	Luna	324/700
5,181,542	A	1/1993	Wass et al.	
7,096,721	B2	8/2006	Bennett	
7,837,176	B2 *	11/2010	Loga et al.	251/250
2002/0195426	A1 *	12/2002	Vasudeva et al.	219/61
2006/0096360	A1 *	5/2006	Bennett	73/86

OTHER PUBLICATIONS

Orifice Fittings for "14.3", Daniel Measurement and Control, 1998.

* cited by examiner

Primary Examiner — Patricia Palasik

(74) *Attorney, Agent, or Firm* — Cahn & Samuels, LLP

(57) **CLAIM**

The ornamental design for a corrosion coupon holder, as shown and described.

DESCRIPTION

FIG. 1 is a front view of a corrosion coupon holder according to the present invention.

FIG. 2 is a rear view of the corrosion coupon holder of FIG. 1. FIG. 3 is a front top perspective view of the corrosion coupon holder of FIG. 1.

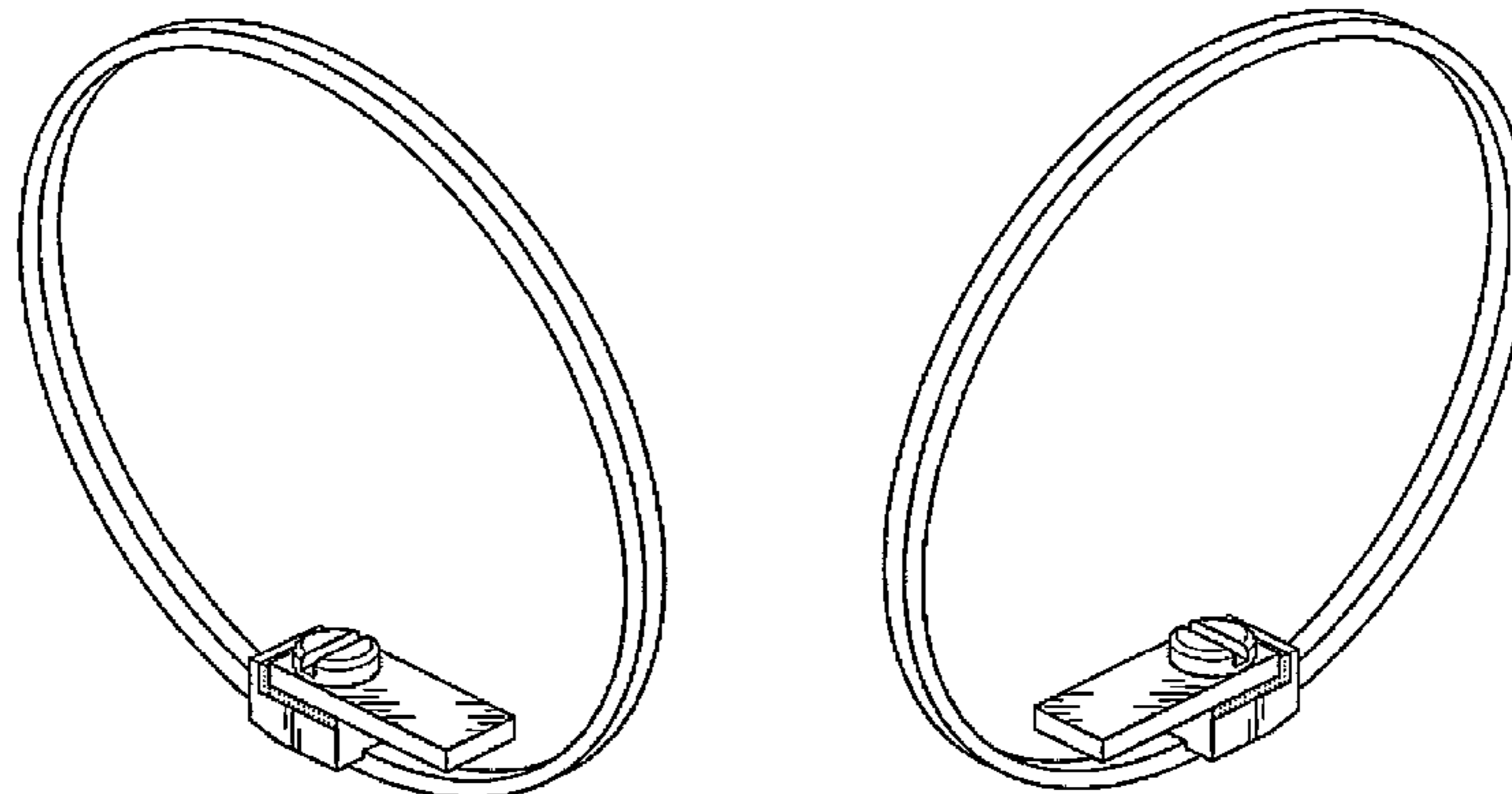
FIG. 4 is a rear top perspective view of the corrosion coupon holder of FIG. 1.

FIG. 5 is a front view of a hub, seat, fastener, coupon combination of the corrosion coupon holder of FIG. 1, shown separately for clarity. The dotted-fill used to illustrate the seat illustrates the difference in material between the seat and the hub; and,

FIG. 6 is a rear view of a hub, seat, fastener, coupon combination of the corrosion coupon holder of FIG. 1, shown separately for clarity. The dotted-fill used to illustrate the seat illustrates the difference in material between the seat and the hub.

A side view of the corrosion coupon holder is deemed unnecessary in view of FIGS. 1-6.

1 Claim, 2 Drawing Sheets



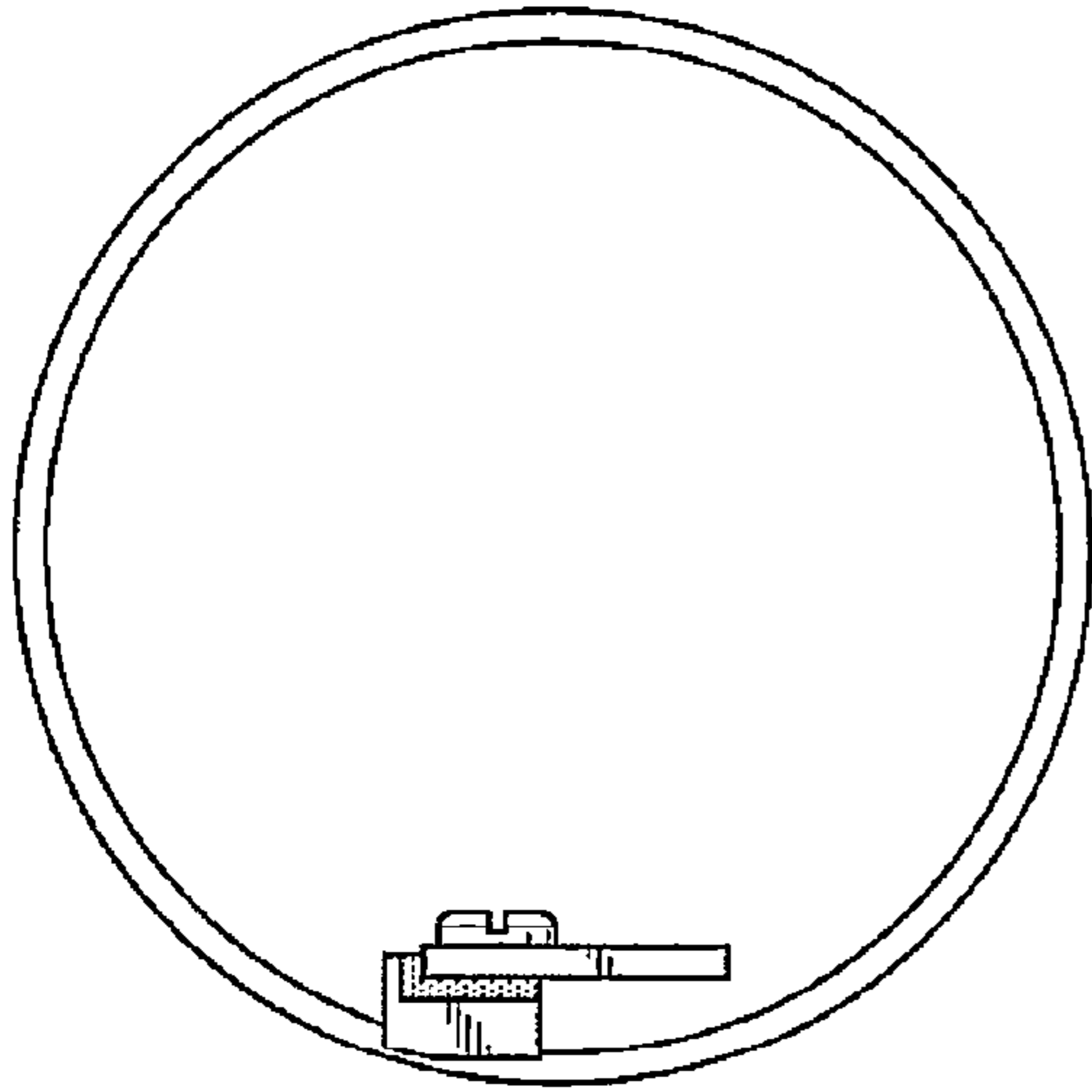


FIG. 1

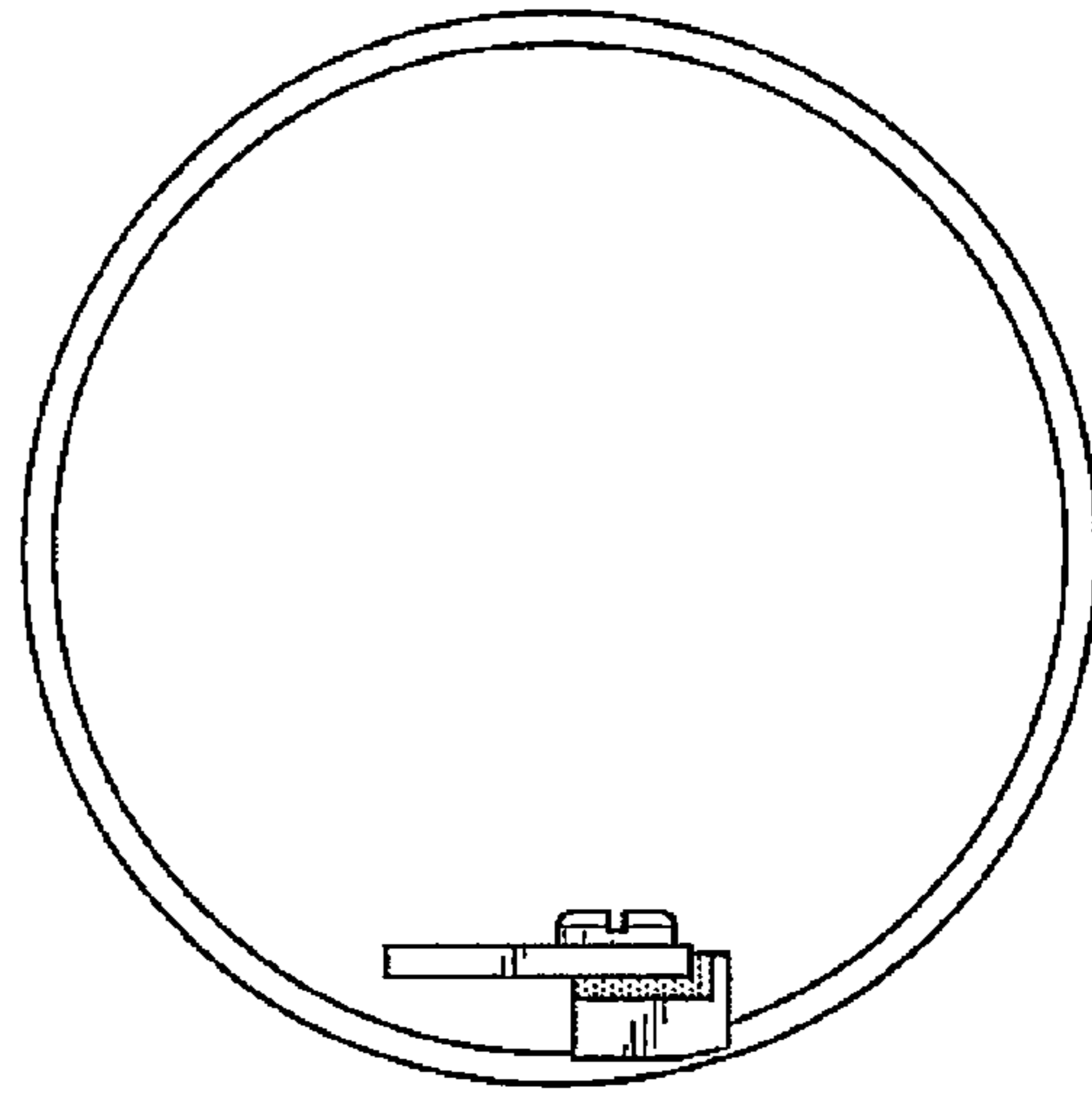


FIG. 2

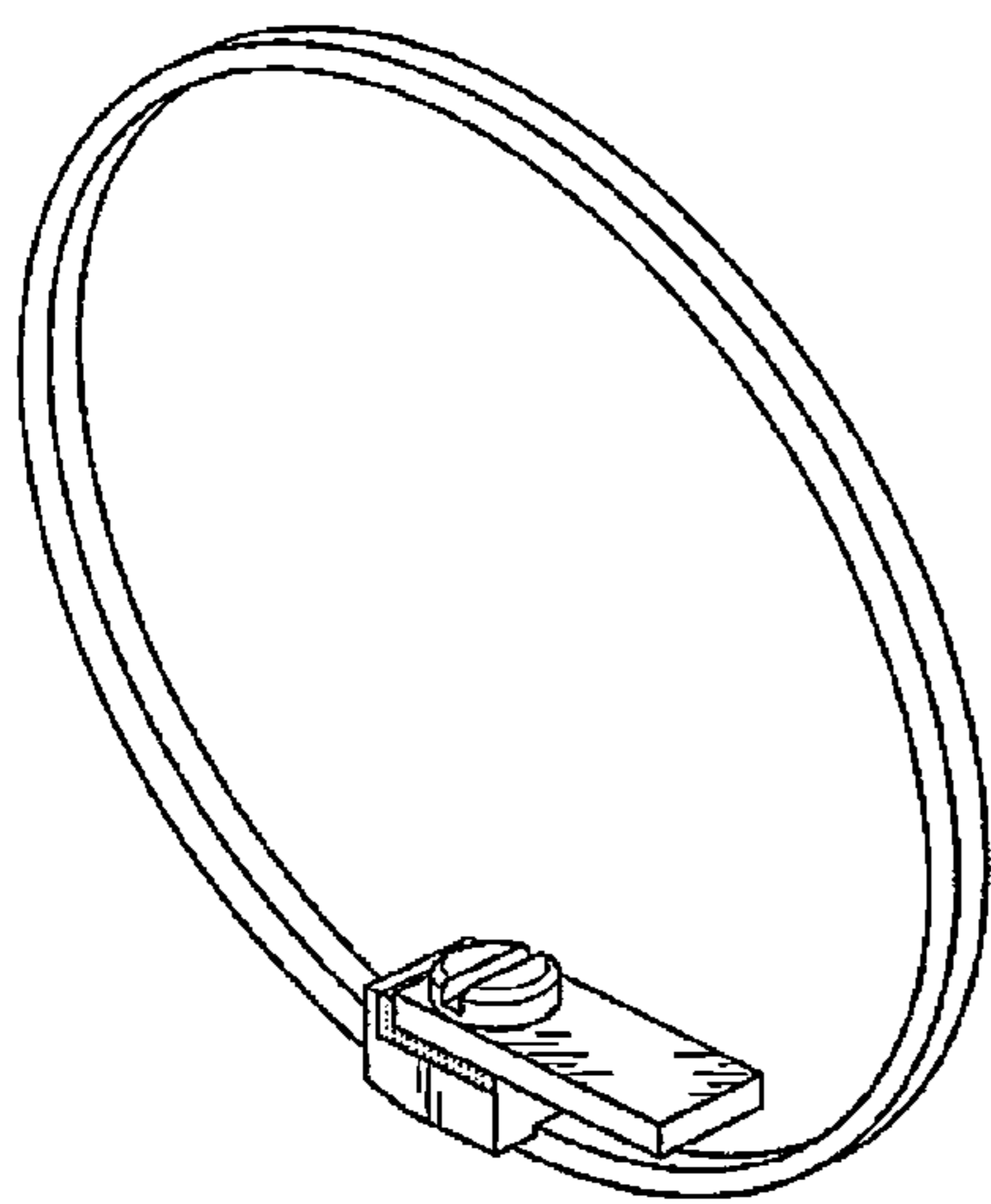


FIG. 3

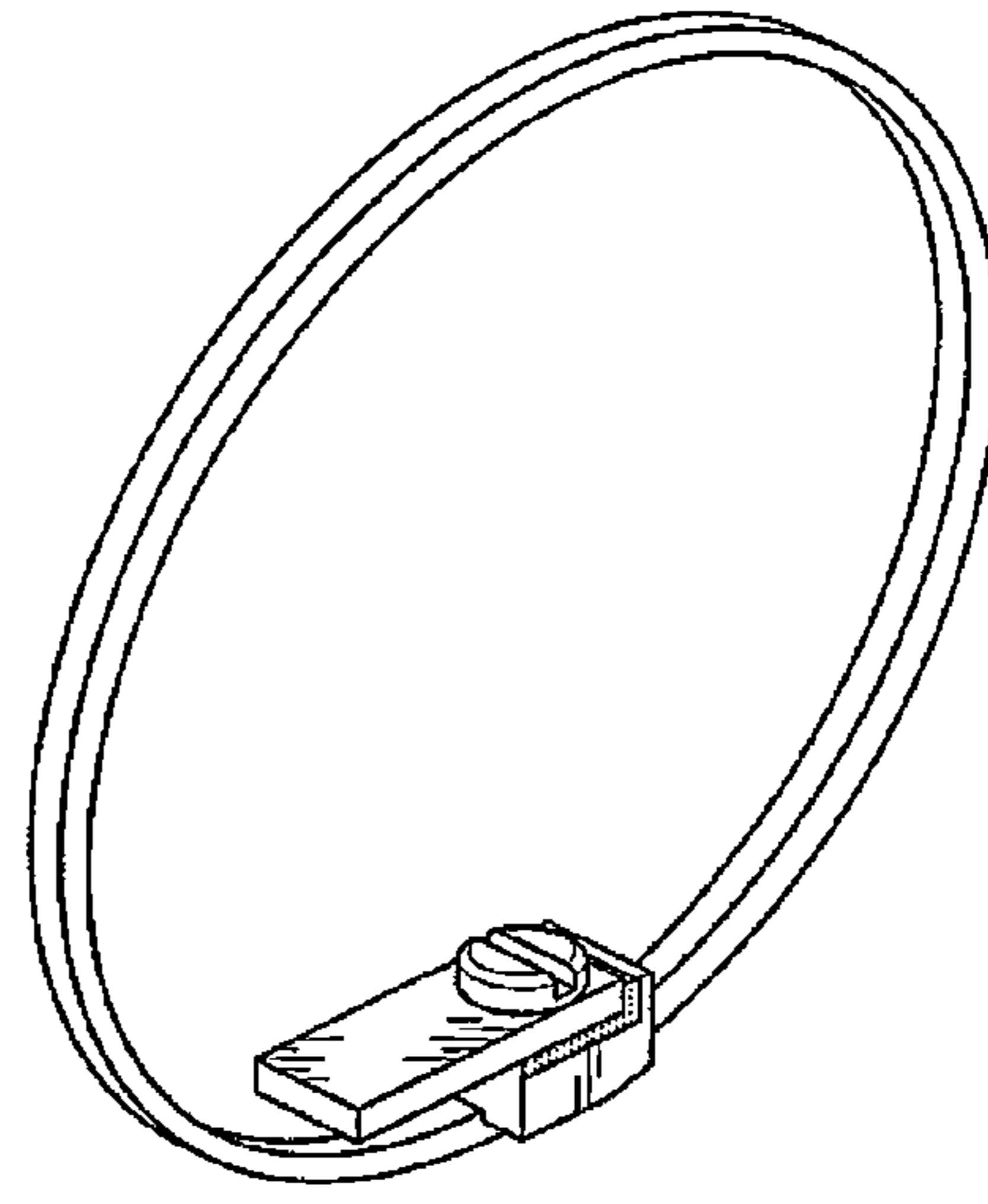


FIG. 4

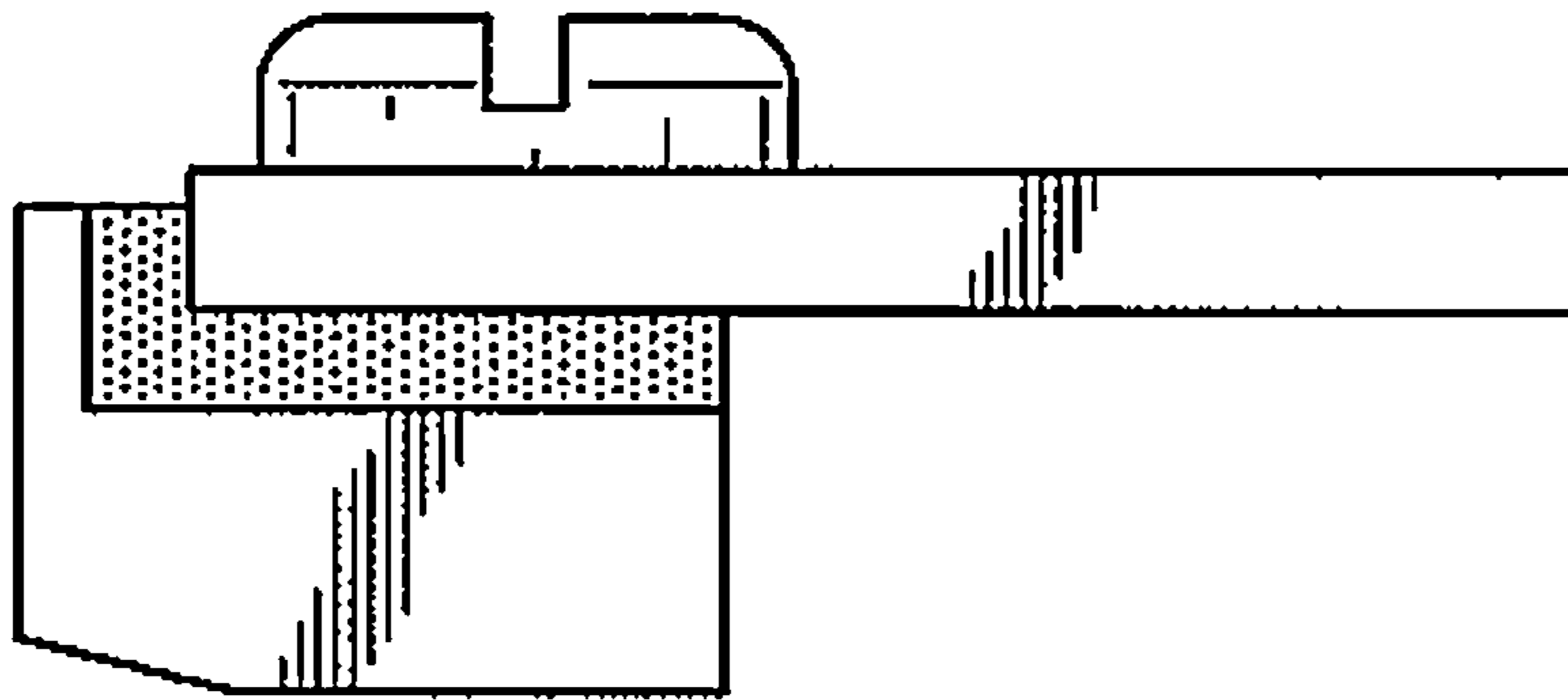


FIG. 5

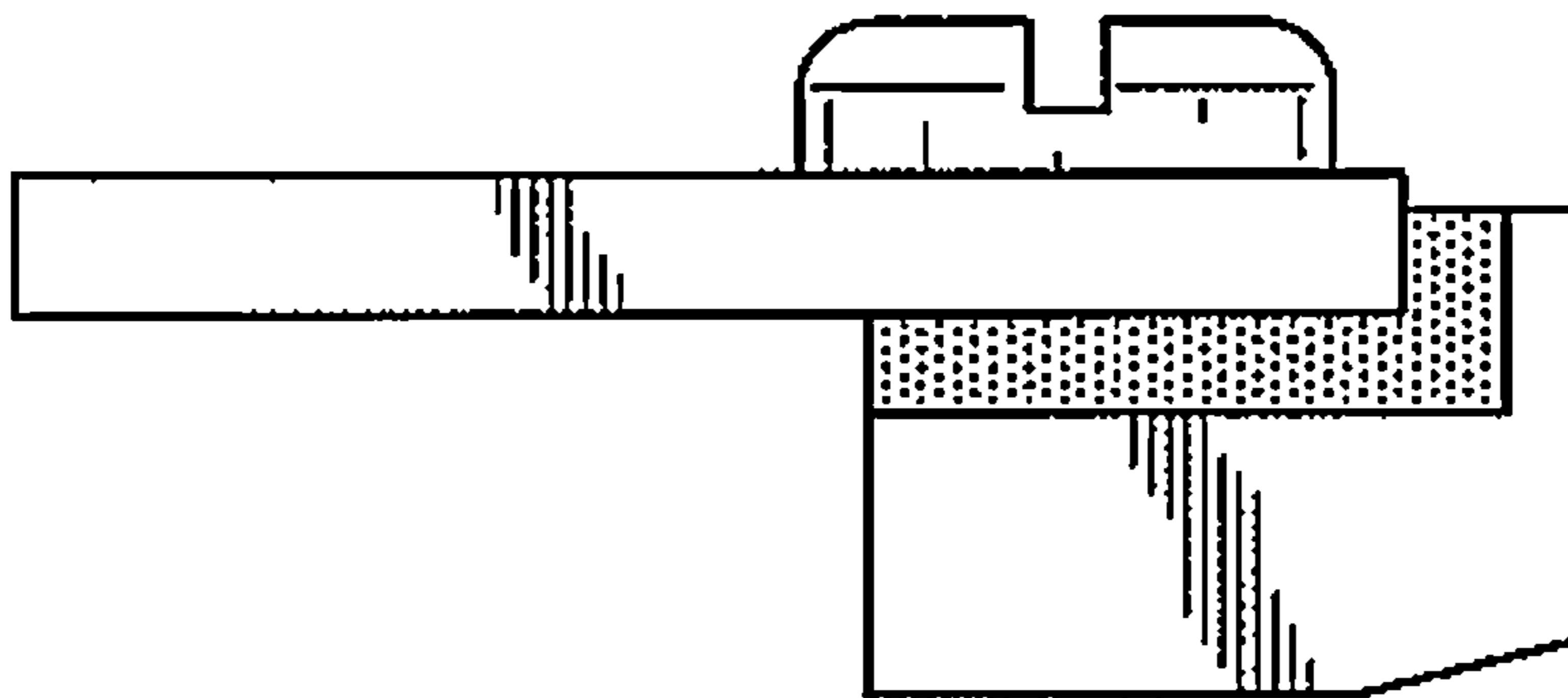


FIG. 6