



US00D684200S

(12) **United States Design Patent**
Schmitz et al.

(10) **Patent No.:** **US D684,200 S**
(45) **Date of Patent:** **** Jun. 11, 2013**

(54) **SWING HAMMER FOR PARTICULATE SIZE REDUCTION SYSTEM**

(75) Inventors: **William Schmitz**, Clymer, NY (US);
Daniel P. Smith, Spencer, MA (US);
Craig A. Penterson, Sutton, MA (US)

(73) Assignee: **Riley Power Inc.**, Worcester, MA (US)

(**) Term: **14 Years**

(21) Appl. No.: **29/386,534**

(22) Filed: **Mar. 2, 2011**

Related U.S. Application Data

(60) Division of application No. 29/377,229, filed on Oct. 19, 2010, now Pat. No. Des. 637,632, which is a continuation of application No. 12/383,653, filed on Mar. 27, 2009, now Pat. No. 7,837,138, which is a continuation-in-part of application No. 11/744,081, filed on May 3, 2007, now Pat. No. 7,516,912.

(51) **LOC (9) Cl.** **15-09**

(52) **U.S. Cl.**
USPC **D15/123**

(58) **Field of Classification Search**
USPC D15/123, 124, 125, 126, 131; 241/73,
241/74, 189.1, 193-197, 294, 300
See application file for complete search history.

(56) **References Cited**

U.S. PATENT DOCUMENTS

1,628,609	A	5/1927	Newhouse	
2,015,581	A *	9/1935	Armour	241/195
2,341,105	A *	2/1944	Kueneman et al.	241/266
2,531,597	A *	11/1950	Anderson	241/197
2,625,332	A	1/1953	Rogers et al.	
2,628,038	A	2/1953	Rogers et al.	
2,637,502	A *	5/1953	Bond	241/194

2,639,863	A	5/1953	Rogers	
3,050,018	A	8/1962	Pearson	
3,092,337	A	6/1963	Patterson	
4,000,859	A *	1/1977	Whitney	241/194
4,202,504	A *	5/1980	Cameron	241/194
4,919,795	A	4/1990	Fujii et al.	
5,025,930	A	6/1991	Barthelmess	
5,289,978	A	3/1994	Lundquist	
5,348,272	A	9/1994	Lukstas et al.	
5,381,976	A *	1/1995	Chon et al.	241/197
5,439,327	A *	8/1995	Wertheim	407/11
5,560,550	A	10/1996	Krawczyk	
5,938,045	A	8/1999	Makino et al.	
D429,741	S *	8/2000	Warren	D15/123
6,123,279	A	9/2000	Stafford et al.	
6,443,376	B1	9/2002	Huang et al.	
6,644,479	B1	11/2003	Kimmeyer et al.	
6,971,598	B2 *	12/2005	Schillinger et al.	241/194
D552,638	S *	10/2007	Willibald	D15/123
7,377,459	B2	5/2008	Potts	

(Continued)

Primary Examiner — Patricia Palasik

(74) *Attorney, Agent, or Firm* — Edwards Wildman Palmer LLP; Joshua L. Jones

(57) **CLAIM**

The ornamental design for swing hammer for particulate size reduction system, as shown and described in the attached specification.

DESCRIPTION

FIG. 1 is a perspective view of a swing hammer for a particulate size reduction system.

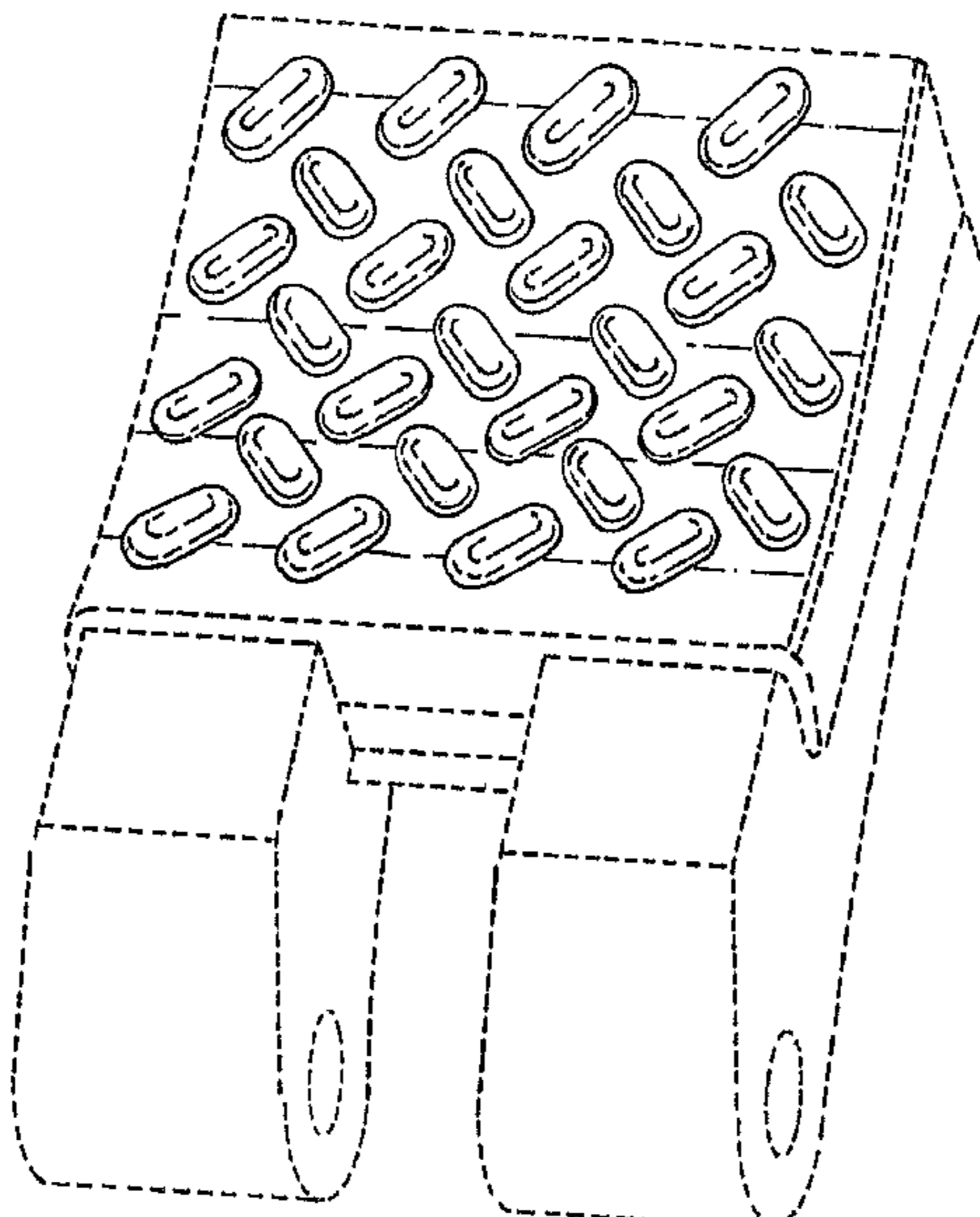
FIG. 2 is a plan view of the swing hammer of FIG. 1.

FIG. 3 is a side elevation view of the swing hammer of FIG. 1; and,

FIG. 4 is a side elevation view of the swing hammer of FIG. 1, showing the side opposite that shown in FIG. 3.

The broken lines in the drawings depict unclaimed environmental subject matter.

1 Claim, 3 Drawing Sheets



US D684,200 S

Page 2

U.S. PATENT DOCUMENTS

D574,400	S *	8/2008	Willibald	D15/123	2004/0238666	A1 *	12/2004	Gray et al.	241/197
7,494,080	B2	2/2009	Knotts		2008/0272217	A1 *	11/2008	Schmitz et al.	241/194
7,516,912	B2 *	4/2009	Schmitz et al.	241/194	2009/0114751	A1 *	5/2009	Doppstadt et al.	241/197
D616,286	S *	5/2010	Foresman	D8/354	2009/0250538	A1 *	10/2009	Schmitz et al.	241/189.1
2004/0177892	A1 *	9/2004	Crittenden et al.	140/123.6					

* cited by examiner

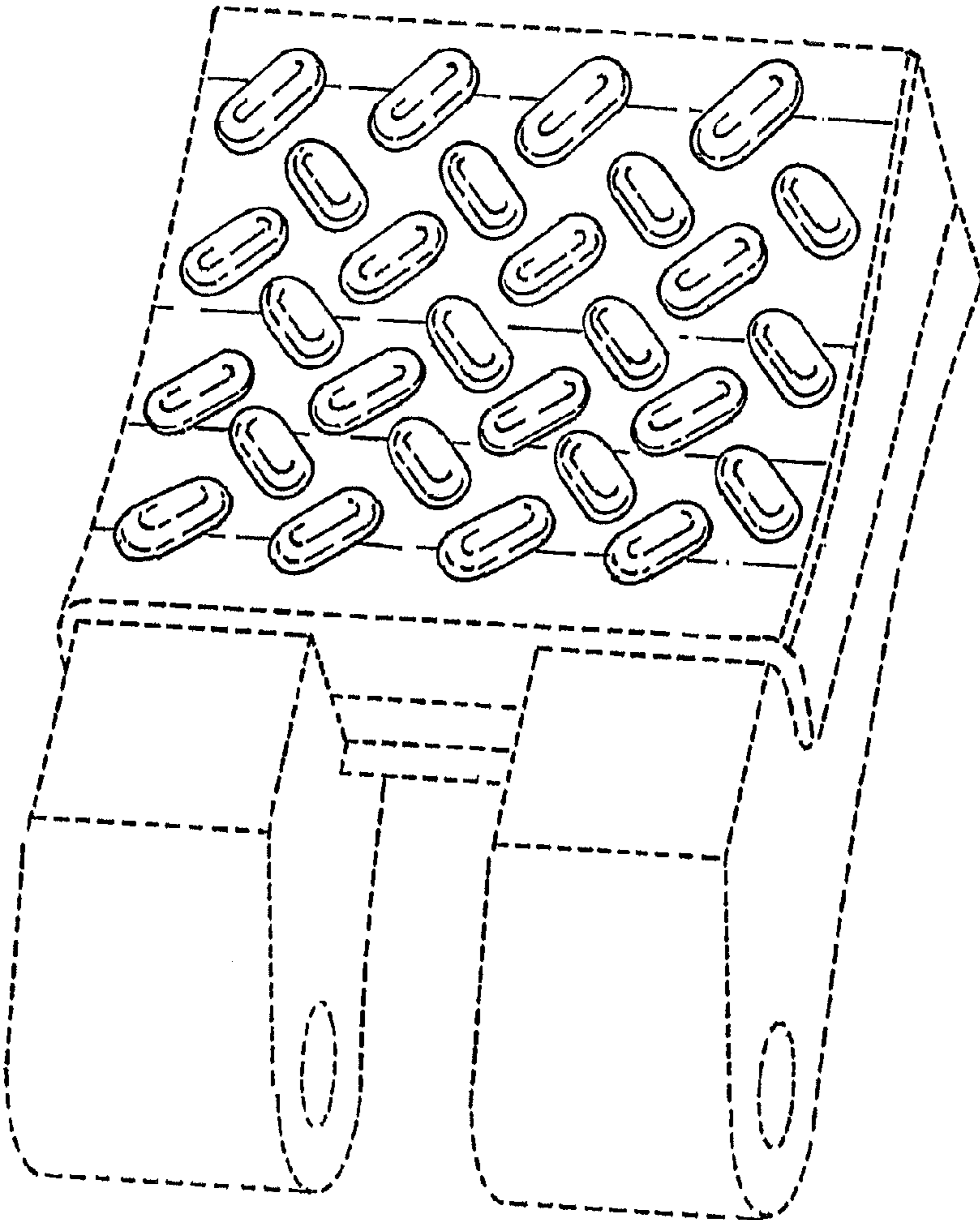


Fig. 1

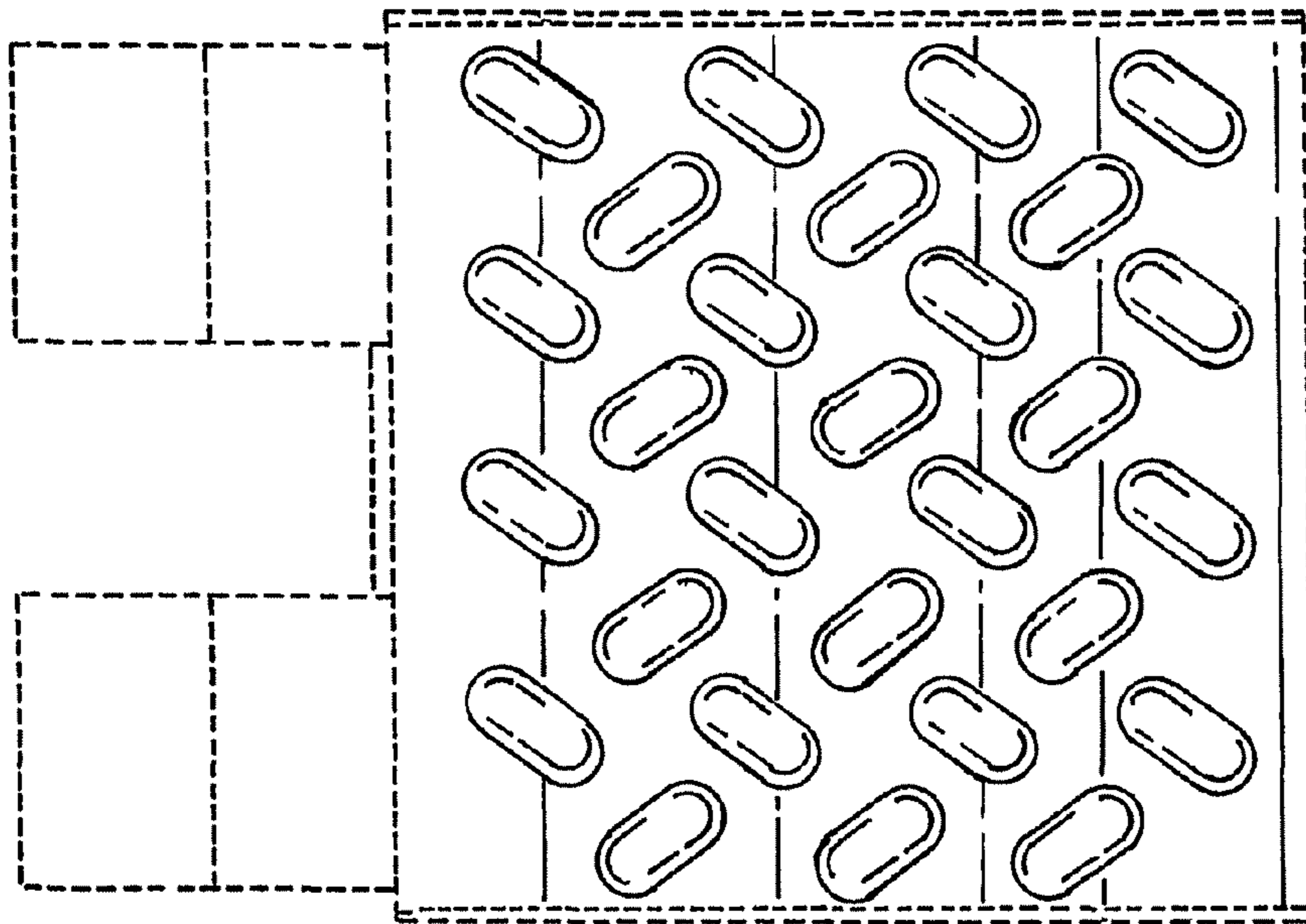


Fig. 2

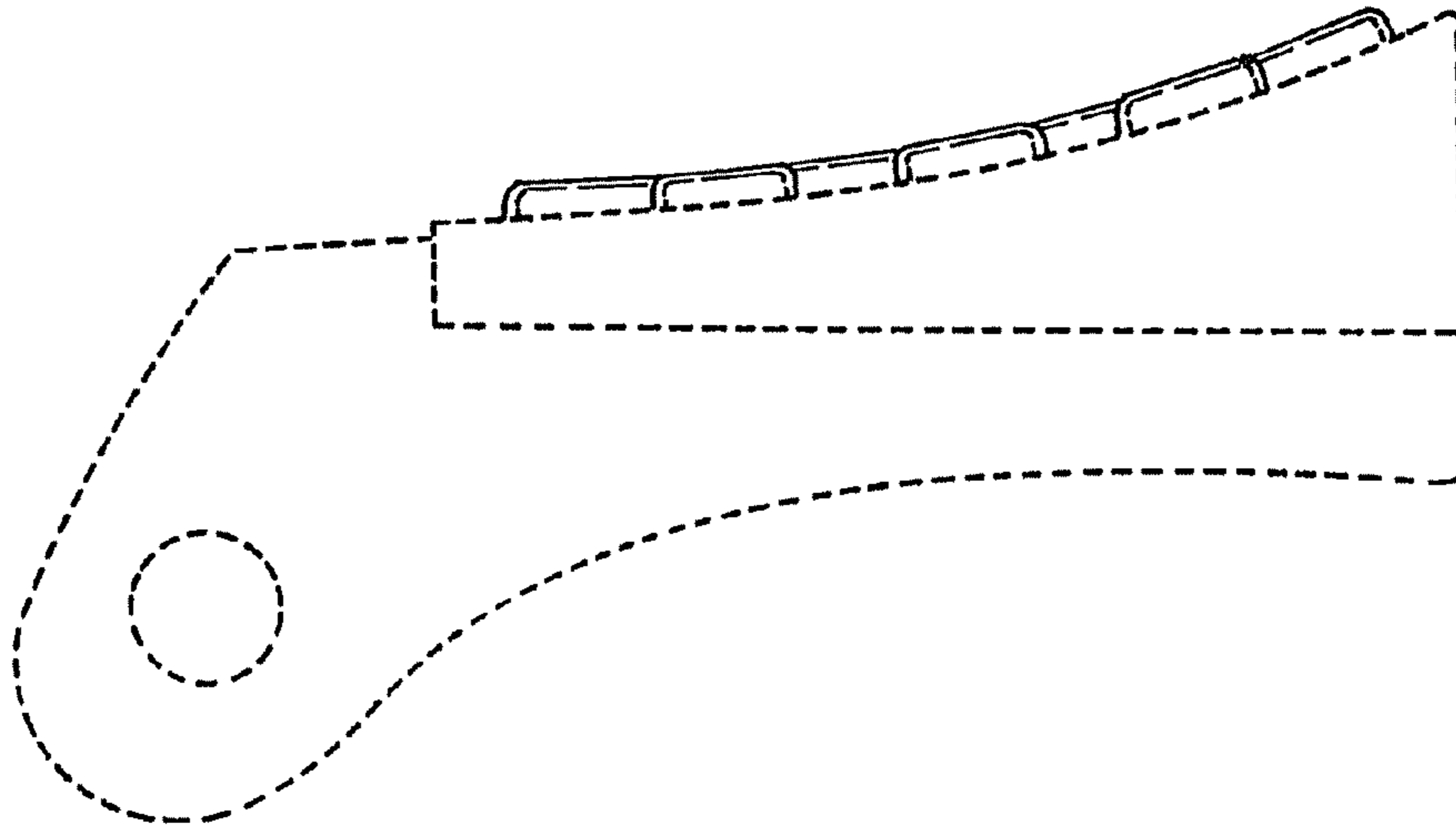


Fig. 3

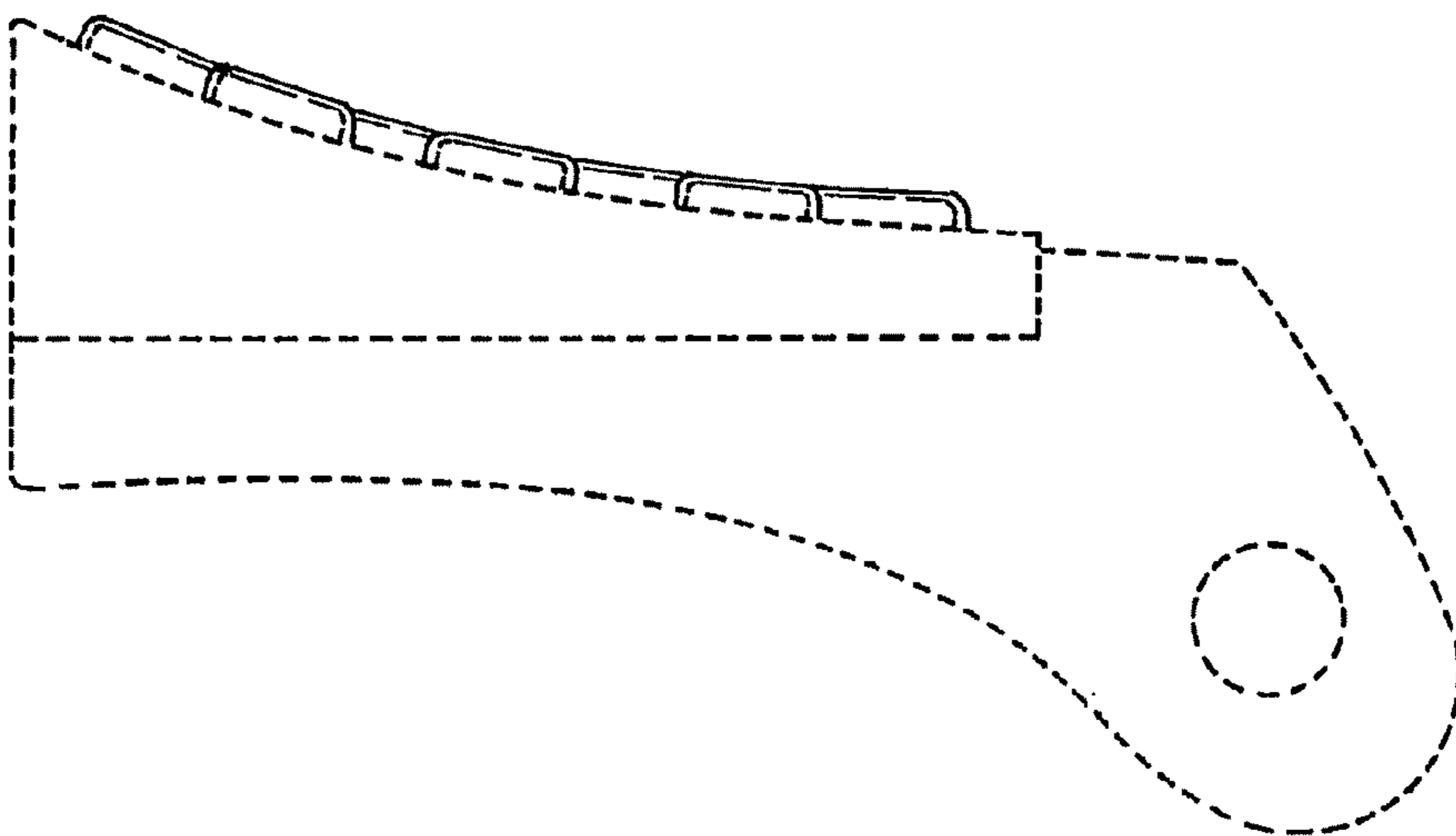


Fig. 4