



US00D684197S

(12) **United States Design Patent**  
**Kienzle et al.**

(10) **Patent No.:** **US D684,197 S**  
(45) **Date of Patent:** **\*\* Jun. 11, 2013**

(54) **COMPRESSOR**

(75) Inventors: **Dominic Kienzle**, Renningen (DE); **Jan Revellin**, Gaeufelden (DE)

(73) Assignee: **Bitzer Kuehlmaschinenbau GmbH**, Sindelfingen (DE)

(\*\*) Term: **14 Years**

(21) Appl. No.: **29/416,336**

(22) Filed: **Mar. 21, 2012**

(30) **Foreign Application Priority Data**

Sep. 27, 2011 (EM) ..... 001923053  
Sep. 27, 2011 (EM) ..... 001923053-0001  
Sep. 27, 2011 (EM) ..... 001923053-0002  
Sep. 27, 2011 (EM) ..... 001923053-0003  
Sep. 27, 2011 (EM) ..... 001923053-0004

(51) **LOC (9) Cl.** ..... **15-02**

(52) **U.S. Cl.**  
USPC ..... **D15/9**

(58) **Field of Classification Search**  
USPC ..... D15/7-9; D23/231, 232, 225; 417/60,  
417/235, 265, 321, 355, 358, 363, 359, 410.1,  
417/415-416, 405, 900, 43, 554; 60/408,  
60/412; 184/26-37; 415/140-147; 123/495,  
123/509; 166/105.1, 105.2, 311  
See application file for complete search history.

(56) **References Cited**

U.S. PATENT DOCUMENTS

D394,068 S 5/1998 Pollrich et al.  
D467,254 S 12/2002 Ullrich  
D471,561 S \* 3/2003 Kohsaka ..... D15/7  
D479,247 S 9/2003 Ullrich  
D485,565 S \* 1/2004 Martinello ..... D15/7

D531,194 S 10/2006 Hertenstein et al.  
D538,826 S 3/2007 Kienzle  
D590,842 S \* 4/2009 Clark et al. .... D15/7  
D595,748 S 7/2009 Kratschmer  
D630,229 S \* 1/2011 Dreifert ..... D15/7  
D652,844 S \* 1/2012 Hanitsch et al. .... D15/7  
D668,684 S \* 10/2012 Noguchi ..... D15/9

\* cited by examiner

*Primary Examiner* — Ralf Seifert

(74) *Attorney, Agent, or Firm* — Reinhart Boerner Van Deuren P.C.

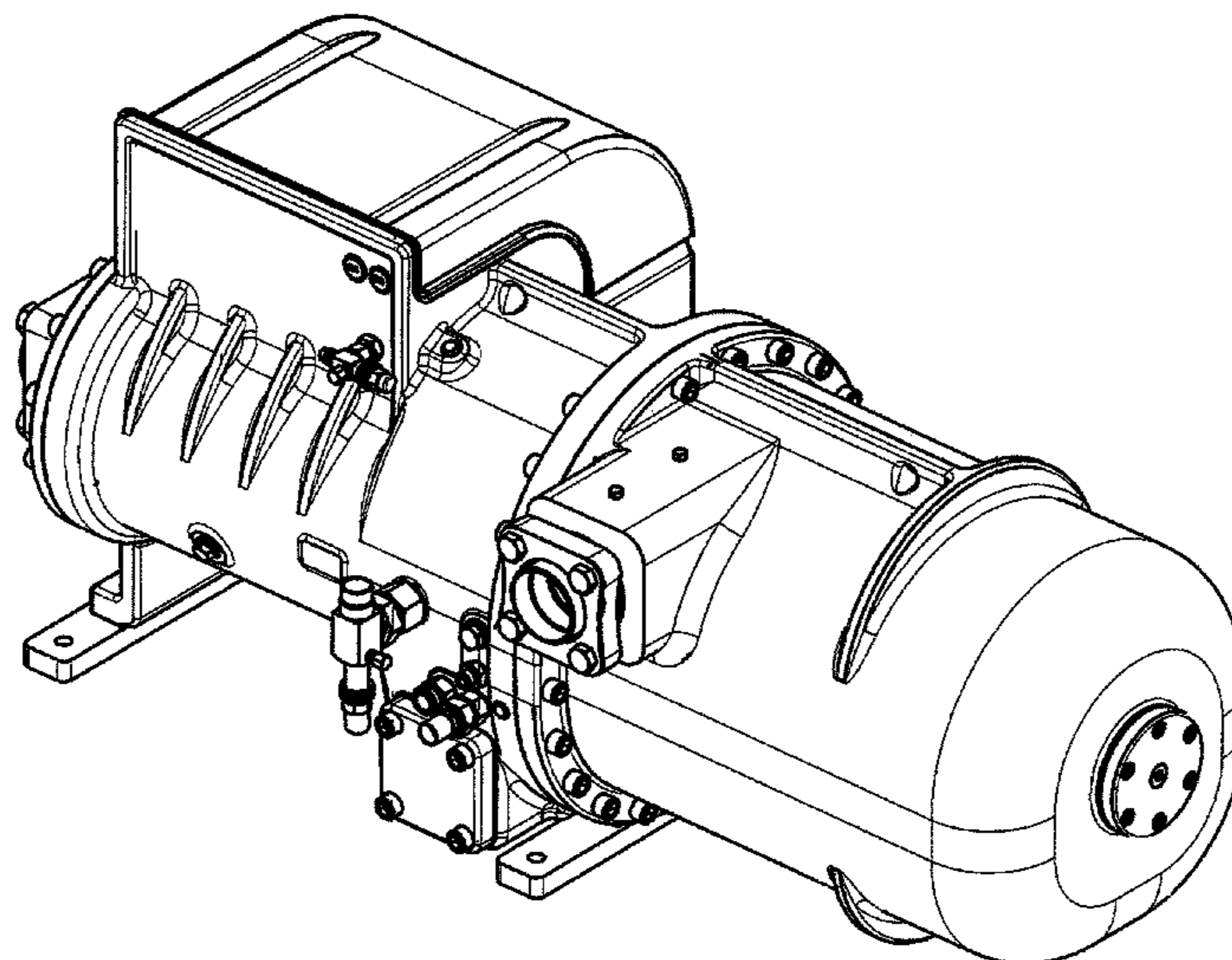
(57) **CLAIM**

We claim the ornamental design for the compressor, as shown and described.

**DESCRIPTION**

FIG. 1 is a perspective view of one embodiment of a compressor;  
FIG. 2 is a side view thereof;  
FIG. 3 is a side view thereof, opposite the side shown in FIG. 2;  
FIG. 4 is a top view thereof;  
FIG. 5 is a bottom view thereof;  
FIG. 6 is a back view thereof;  
FIG. 7 is a front view thereof; and  
FIG. 8 is an alternate perspective view thereof.  
FIG. 9 is a perspective view of a second embodiment of a compressor;  
FIG. 10 is a side view thereof;  
FIG. 11 is a side view thereof, opposite the side shown in FIG. 10;  
FIG. 12 is a top view thereof;  
FIG. 13 is a bottom view thereof;  
FIG. 14 is a back view thereof;  
FIG. 15 is a front view thereof; and,  
FIG. 16 is another perspective view thereof.

**1 Claim, 8 Drawing Sheets**



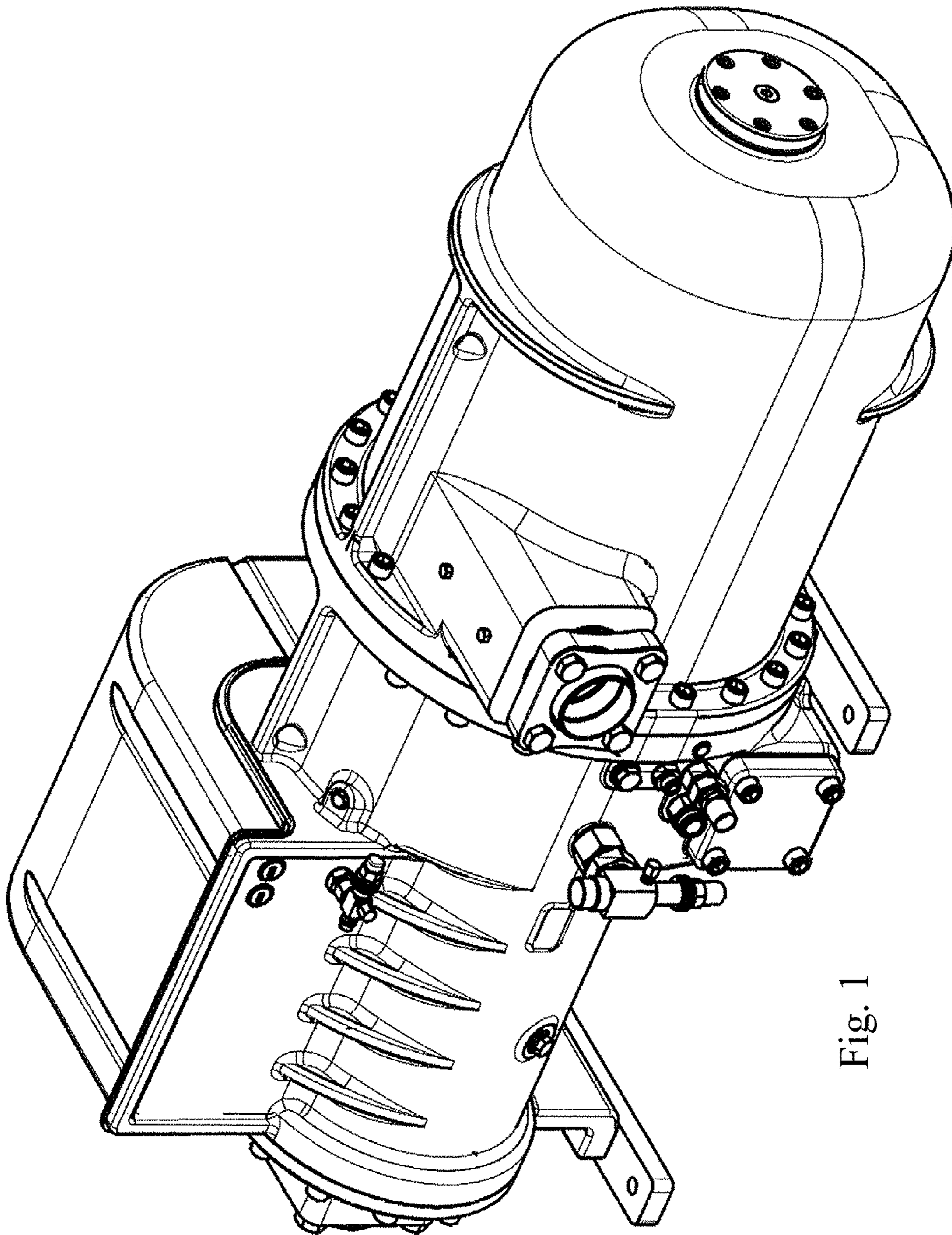


Fig. 1

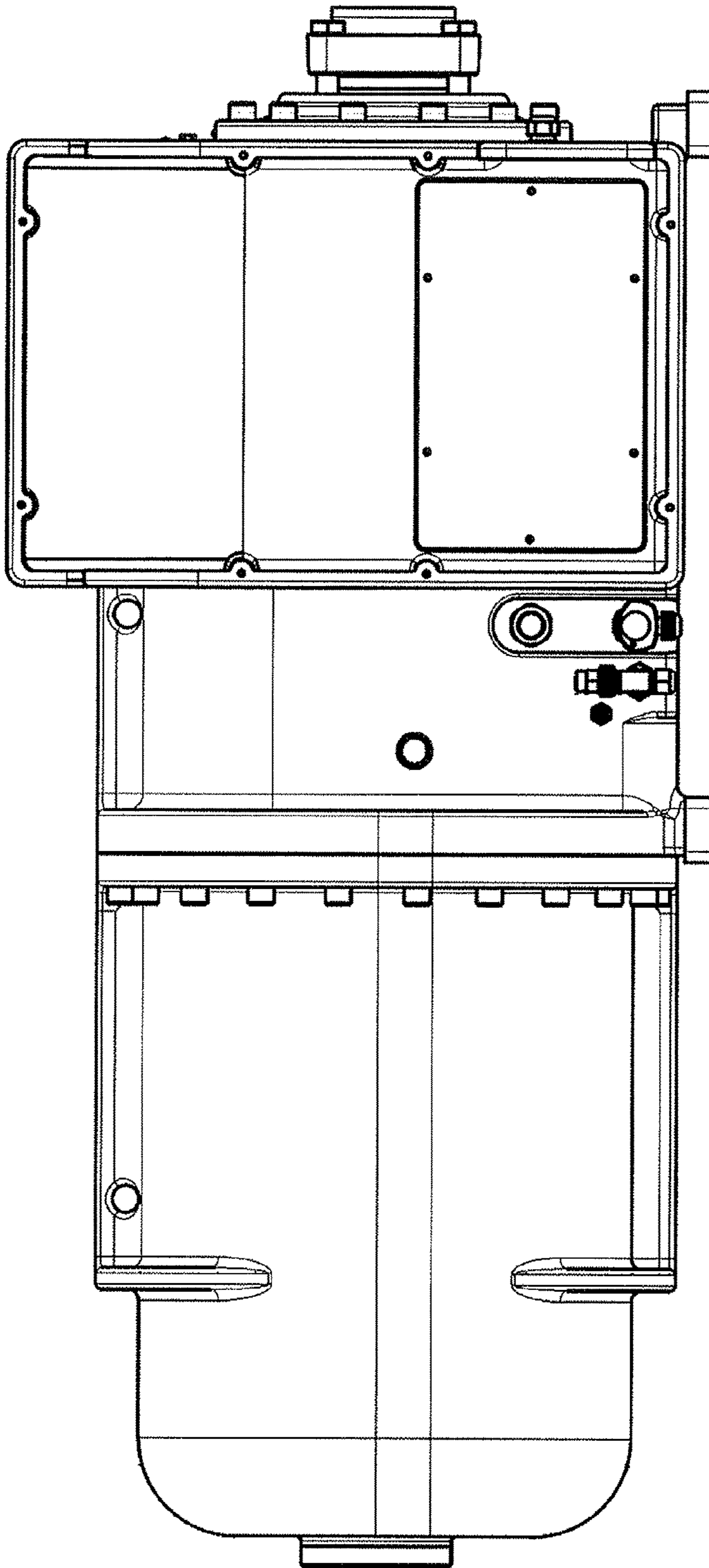


Fig. 2

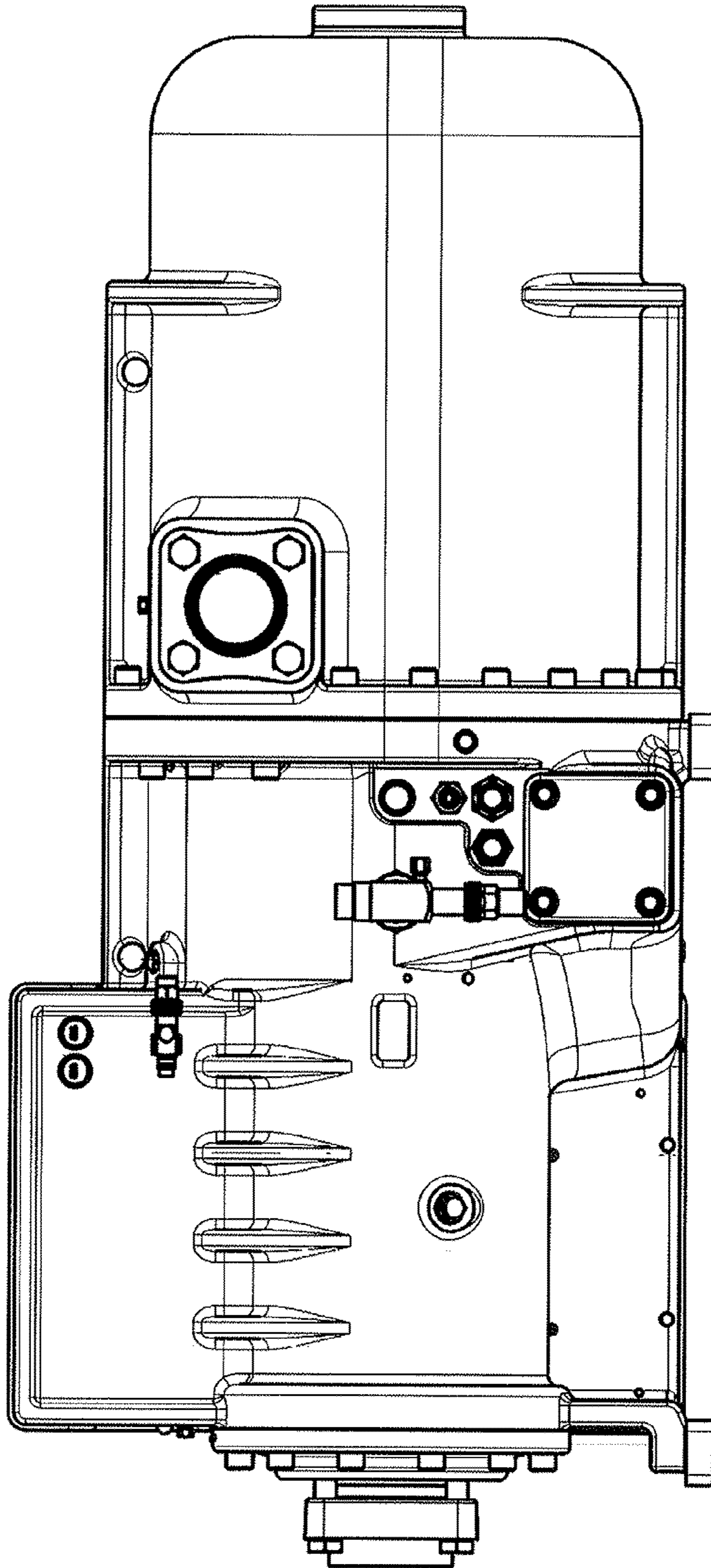


Fig. 3

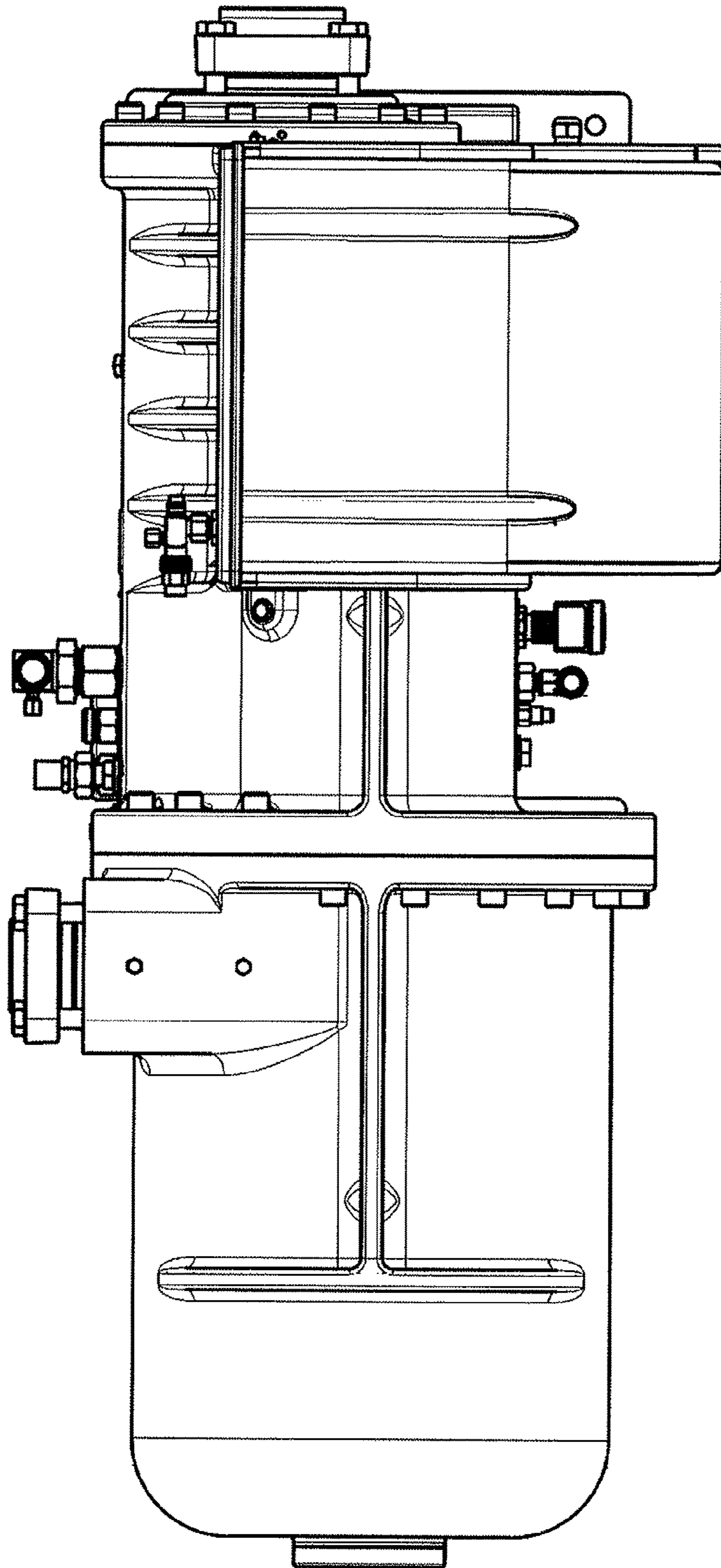


Fig. 4

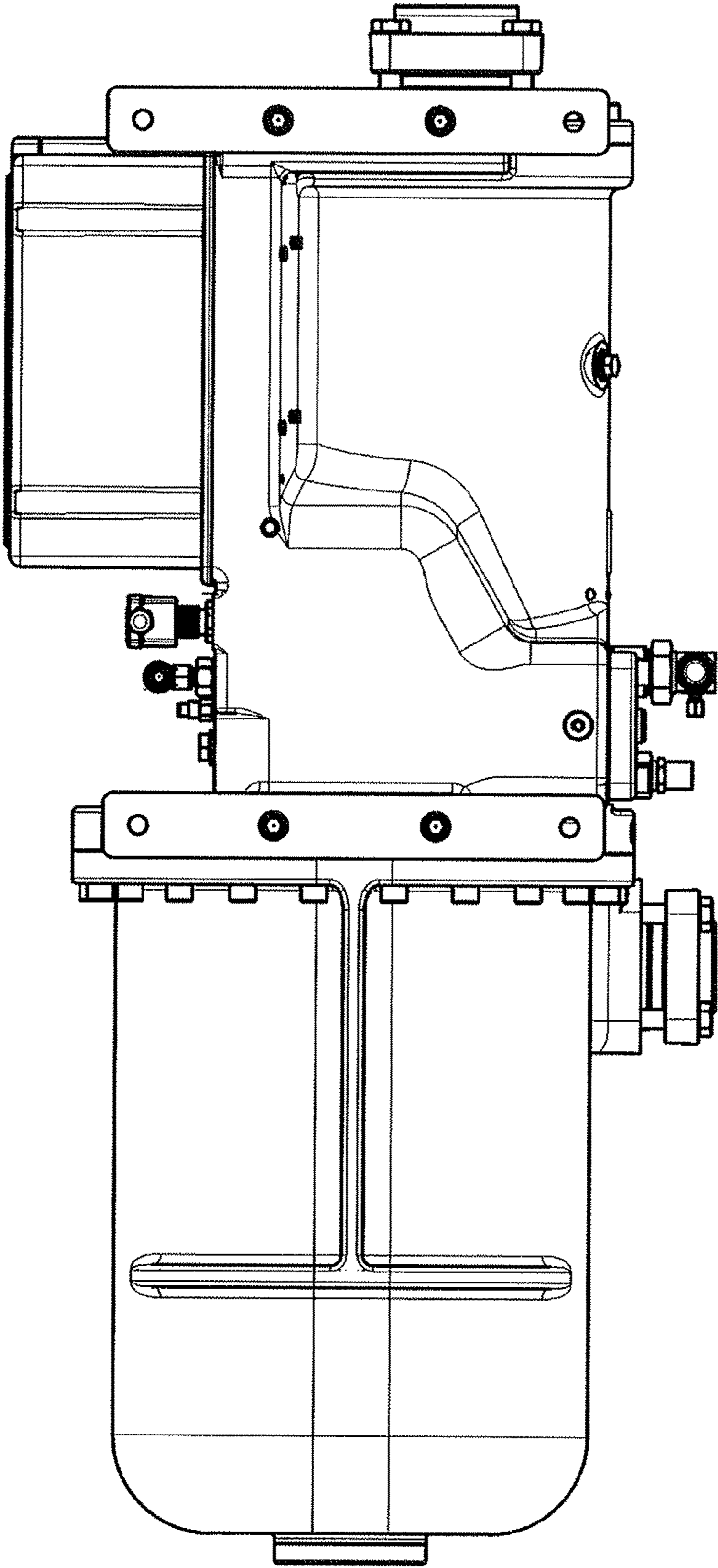


Fig. 5

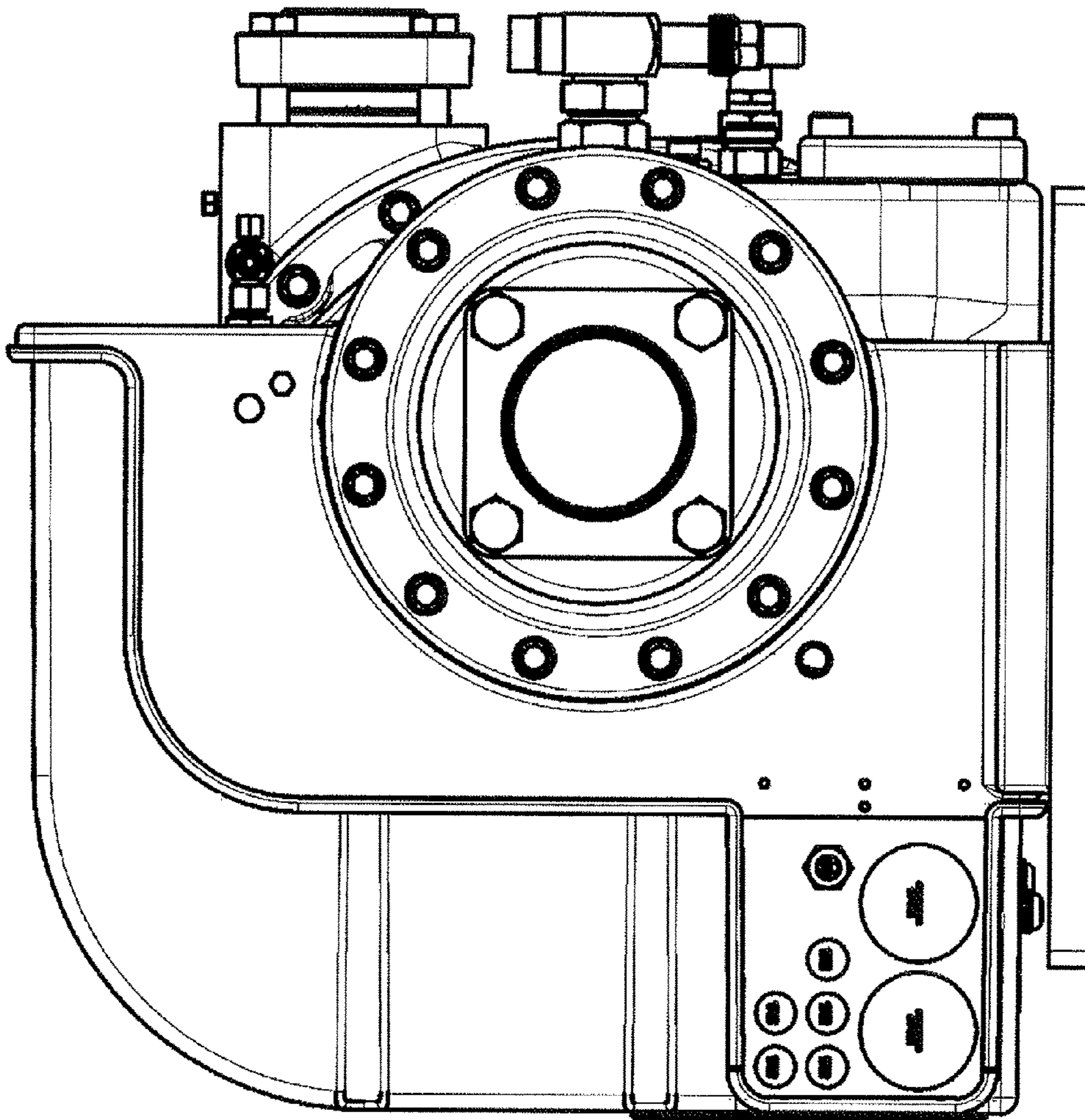


Fig. 6

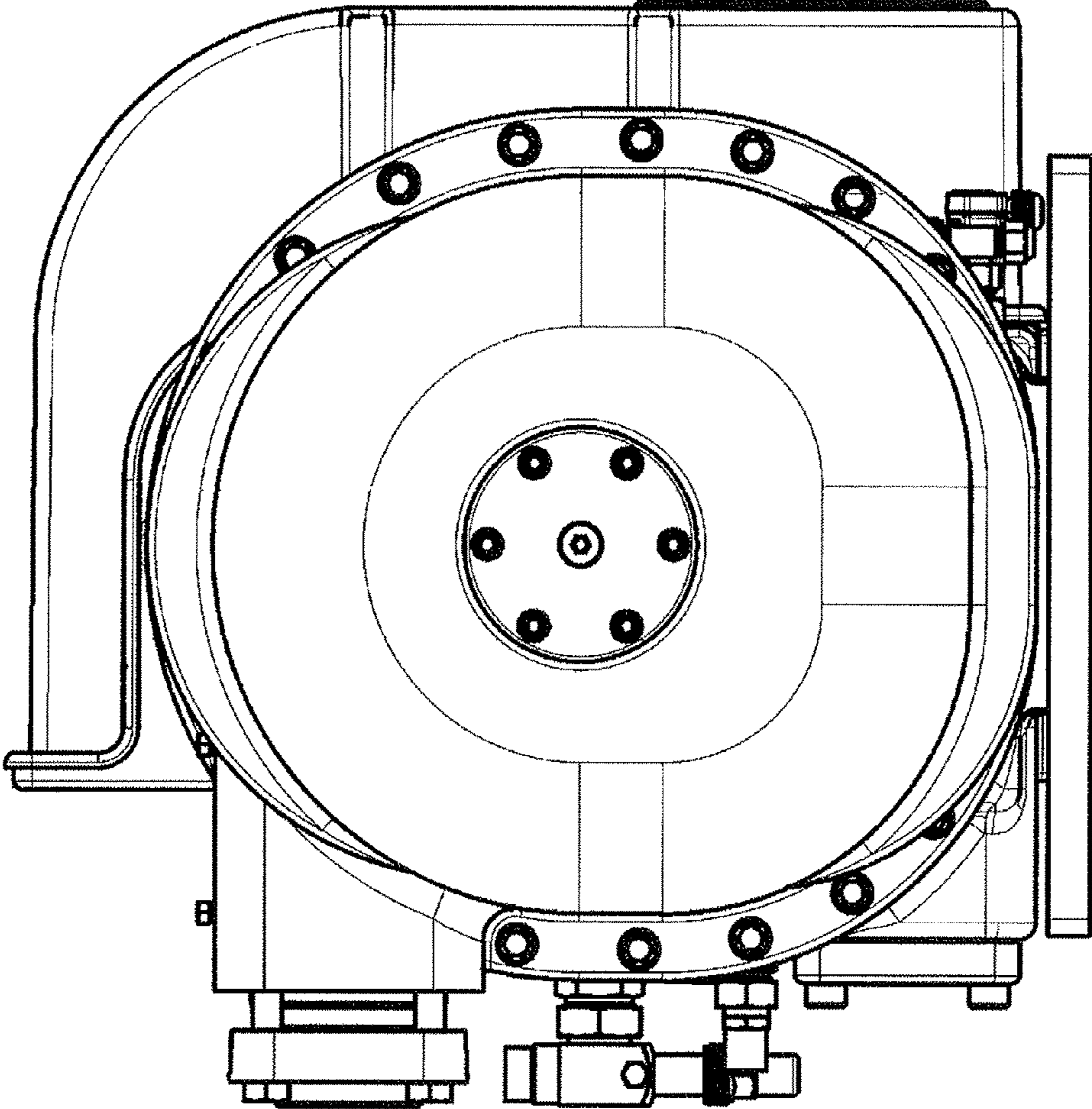


Fig. 7



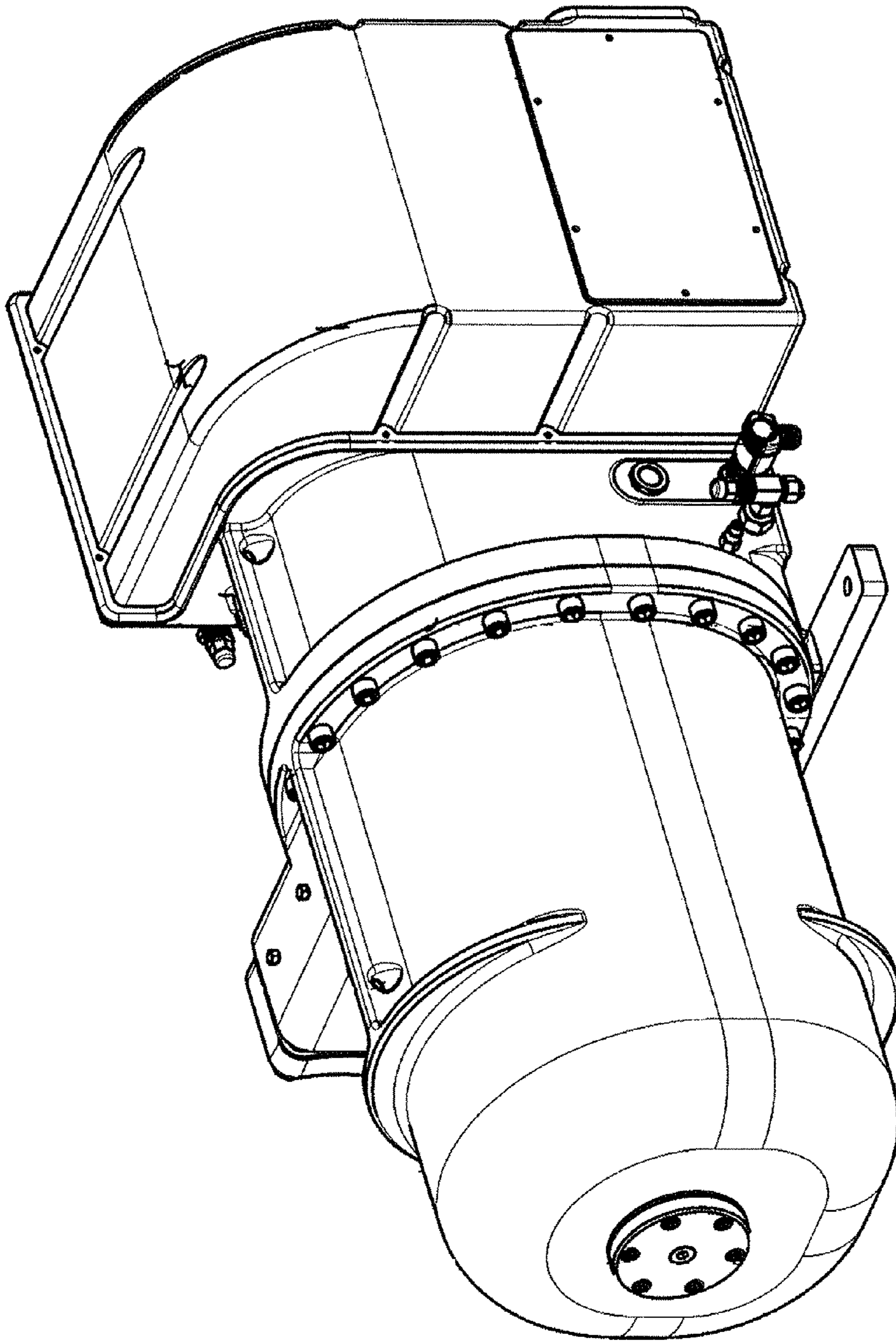


Fig. 8