



US00D684158S

(12) **United States Design Patent**  
**Derry et al.**

(10) **Patent No.:** **US D684,158 S**  
(45) **Date of Patent:** **\*\* Jun. 11, 2013**

(54) **QUICK-RELEASE DISPLAY ADAPTER**

(71) Applicant: **Innovative Office Products, Inc.**,  
Easton, PA (US)

(72) Inventors: **Bradley A. Derry**, Easton, PA (US);  
**David VanDuzer**, Slatington, PA (US);  
**Stephen J. Bowman**, Allentown, PA  
(US); **Odd N. Oddsen, Jr.**, Easton, PA  
(US)

(73) Assignee: **Innovative Office Products, Inc.**,  
Easton, PA (US)

(\*\*) Term: **14 Years**

(21) Appl. No.: **29/438,479**

(22) Filed: **Nov. 30, 2012**

**Related U.S. Application Data**

(63) Continuation of application No. 29/401,573, filed on  
Sep. 13, 2011, now Pat. No. Des. 674,807.

(51) **LOC (9) Cl.** ..... **08-07**

(52) **U.S. Cl.**  
USPC ..... **D14/452**

(58) **Field of Classification Search**  
USPC .. D14/451, 452, 448, 447, 239, 253; D8/349,  
D8/363, 373, 380, 354; 248/917, 918, 919,  
248/920-924, 122.1, 124.1, 125.8, 371, 393,  
248/425, 176.1, 186.1, 274.1, 280.11, 284.1,  
248/291.1

See application file for complete search history.

(56) **References Cited**

**U.S. PATENT DOCUMENTS**

D386,782 S \* 11/1997 Sasaki ..... D14/451  
6,505,988 B1 \* 1/2003 Oddsen, Jr. .... 403/110

D495,714 S \* 9/2004 Pfister ..... D14/451  
D568,144 S \* 5/2008 Wohlford et al. .... D8/363  
D568,890 S \* 5/2008 Sculler et al. .... D14/451  
D570,836 S \* 6/2008 Chen ..... D14/253  
D593,568 S \* 6/2009 Hsieh et al. .... D14/451  
D617,801 S \* 6/2010 Chang et al. .... D14/451  
D671,820 S \* 12/2012 Henderson ..... D8/373

\* cited by examiner

*Primary Examiner* — Cynthia Ramirez  
(74) *Attorney, Agent, or Firm* — Design IP

(57) **CLAIM**

The ornamental design for a quick-release display adapter, as  
shown and described.

**DESCRIPTION**

FIG. 1 is a perspective view of an embodiment of a compo-  
nent of a quick-release display adapter showing our new  
design;

FIG. 2 is a front view thereof;

FIG. 3 is a rear view thereof;

FIG. 4 is a sectional view taken along line 4-4 of FIG. 5,  
showing portions of the rear surface of the component that are  
obscured from view in FIG. 3;

FIG. 5 is a right side view of the component of FIG. 1;

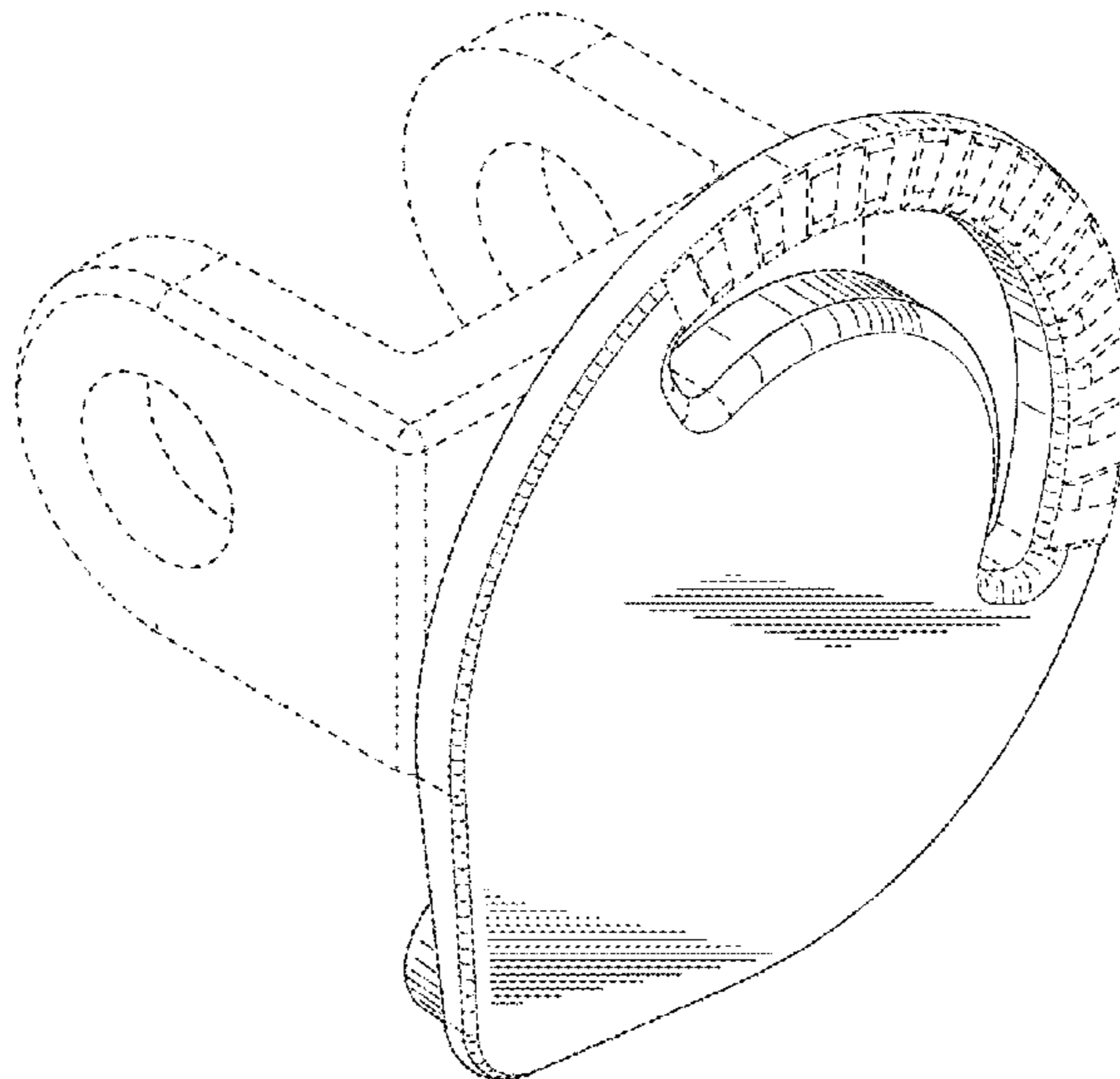
FIG. 6 is a left side view thereof;

FIG. 7 is a top view thereof; and,

FIG. 8 is a bottom view thereof.

The dash-dot lines shown in FIGS. 1, 2, and 4-8 represent  
boundary lines between claimed and unclaimed subject mat-  
ter, with the dash-dot lines themselves representing  
unclaimed subject matter. The dashed lines shown in FIGS.  
1-8 and are included for the purpose of illustrating environ-  
mental subject matter only and form no part of the claimed  
design.

**1 Claim, 4 Drawing Sheets**



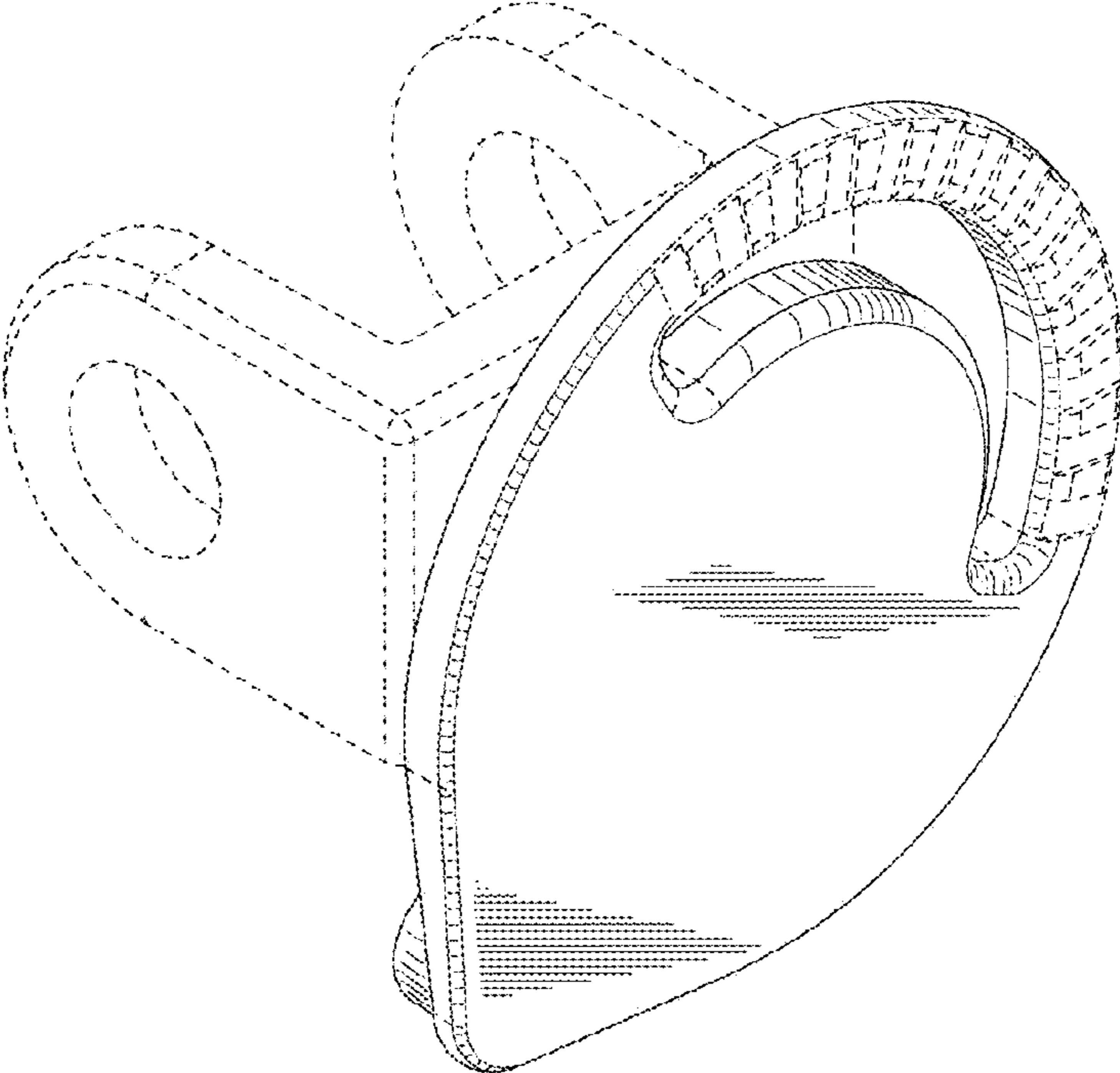


FIG. 1

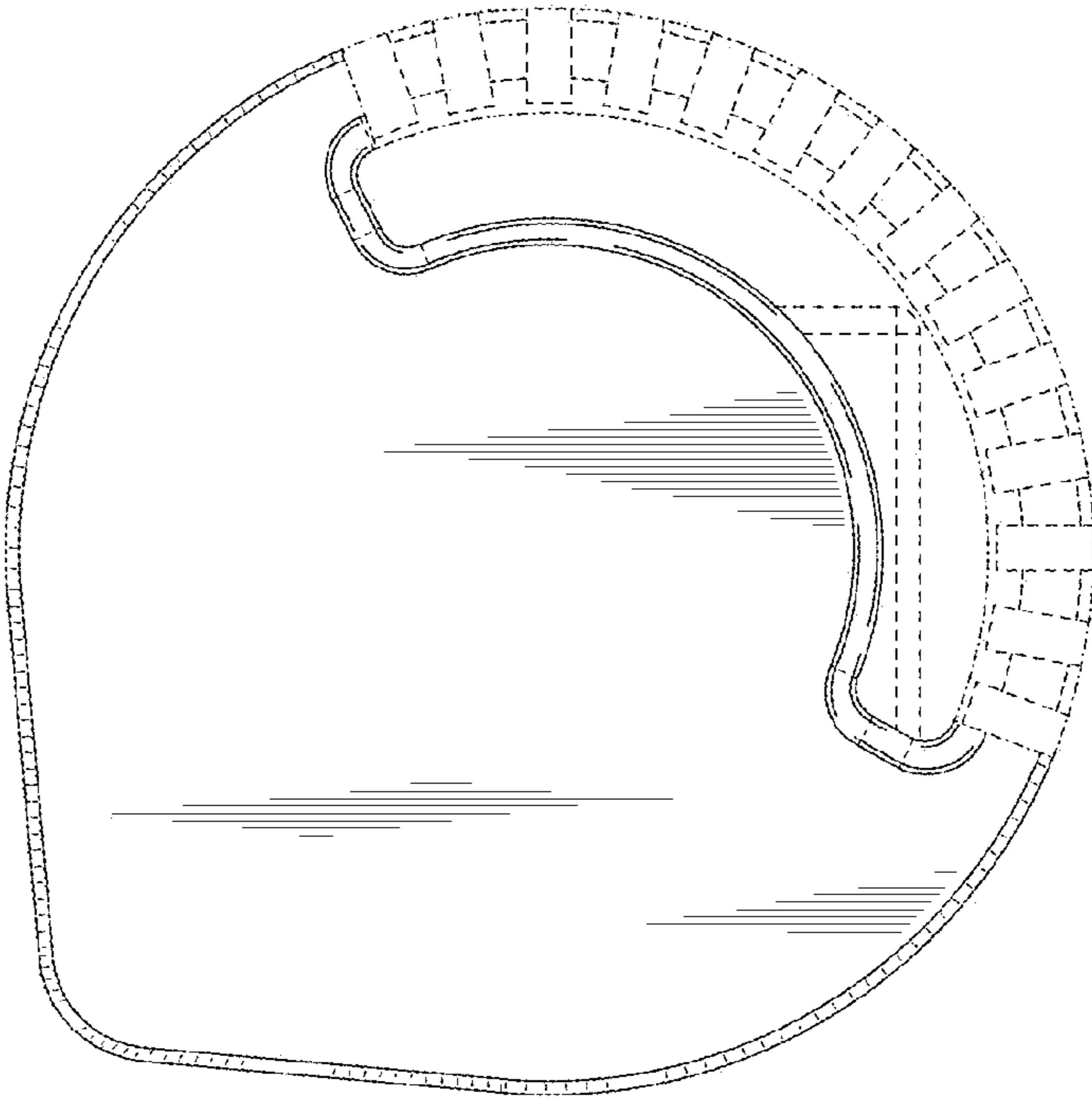


FIG. 2

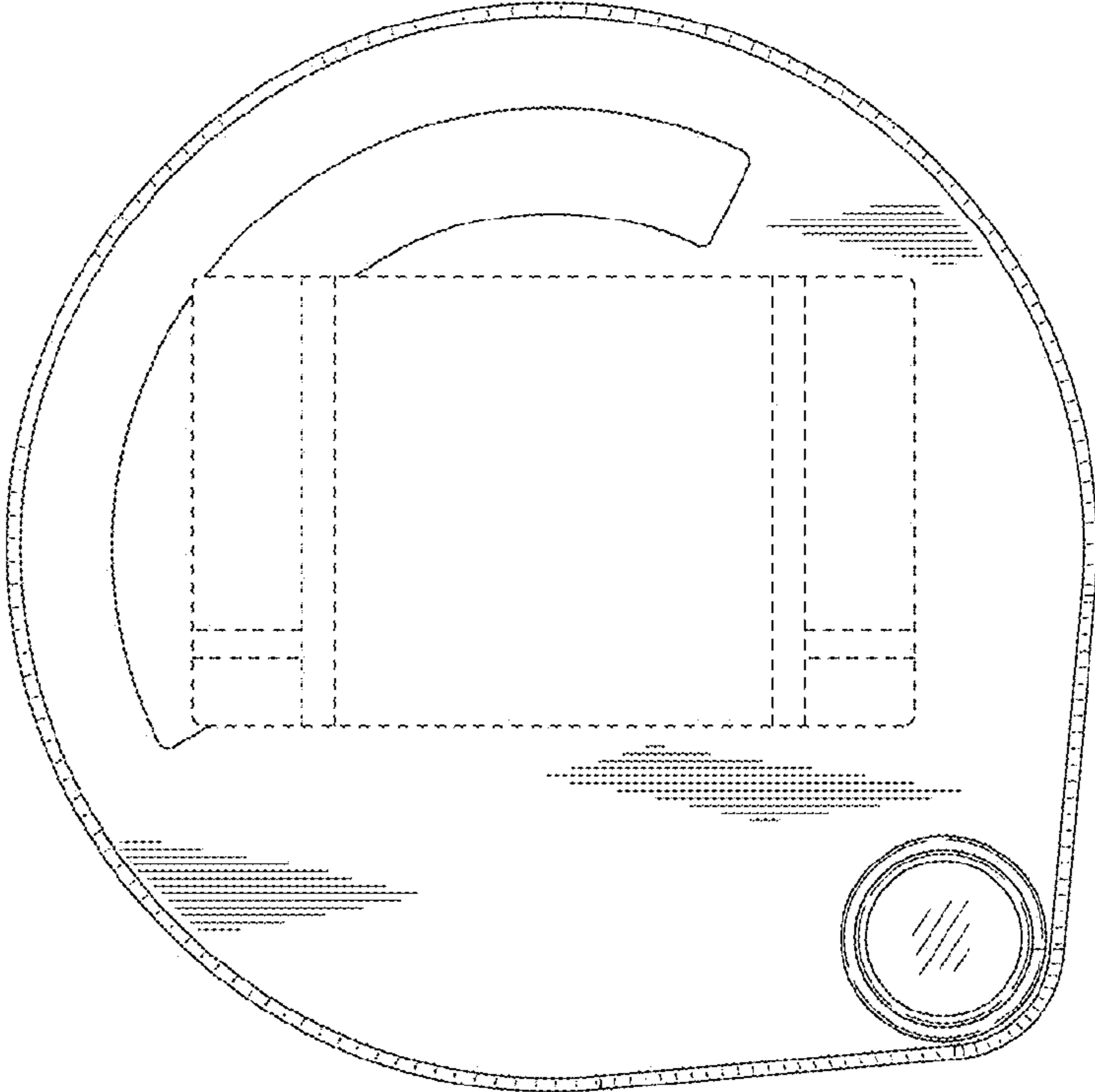


FIG. 3

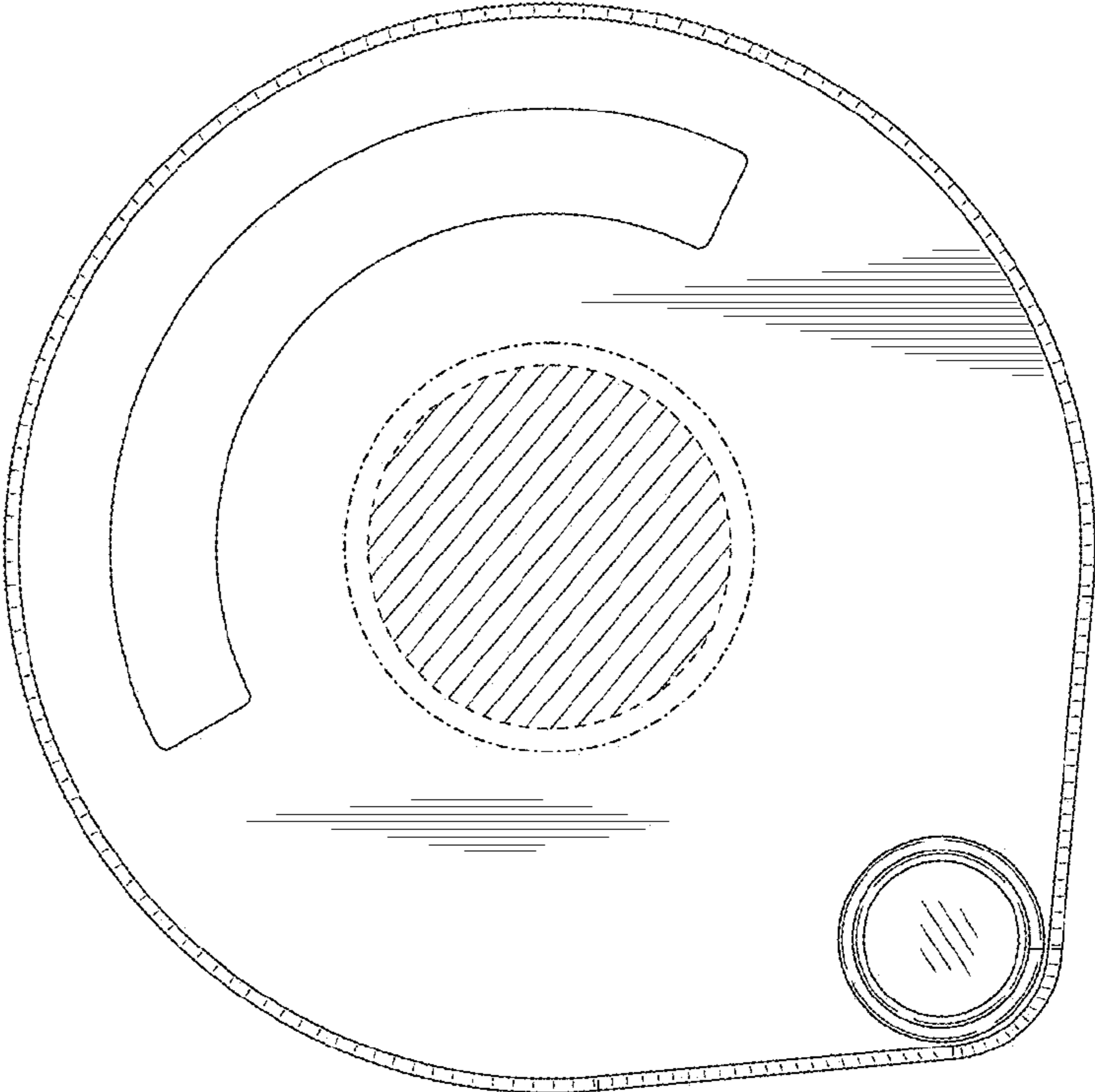


FIG. 4

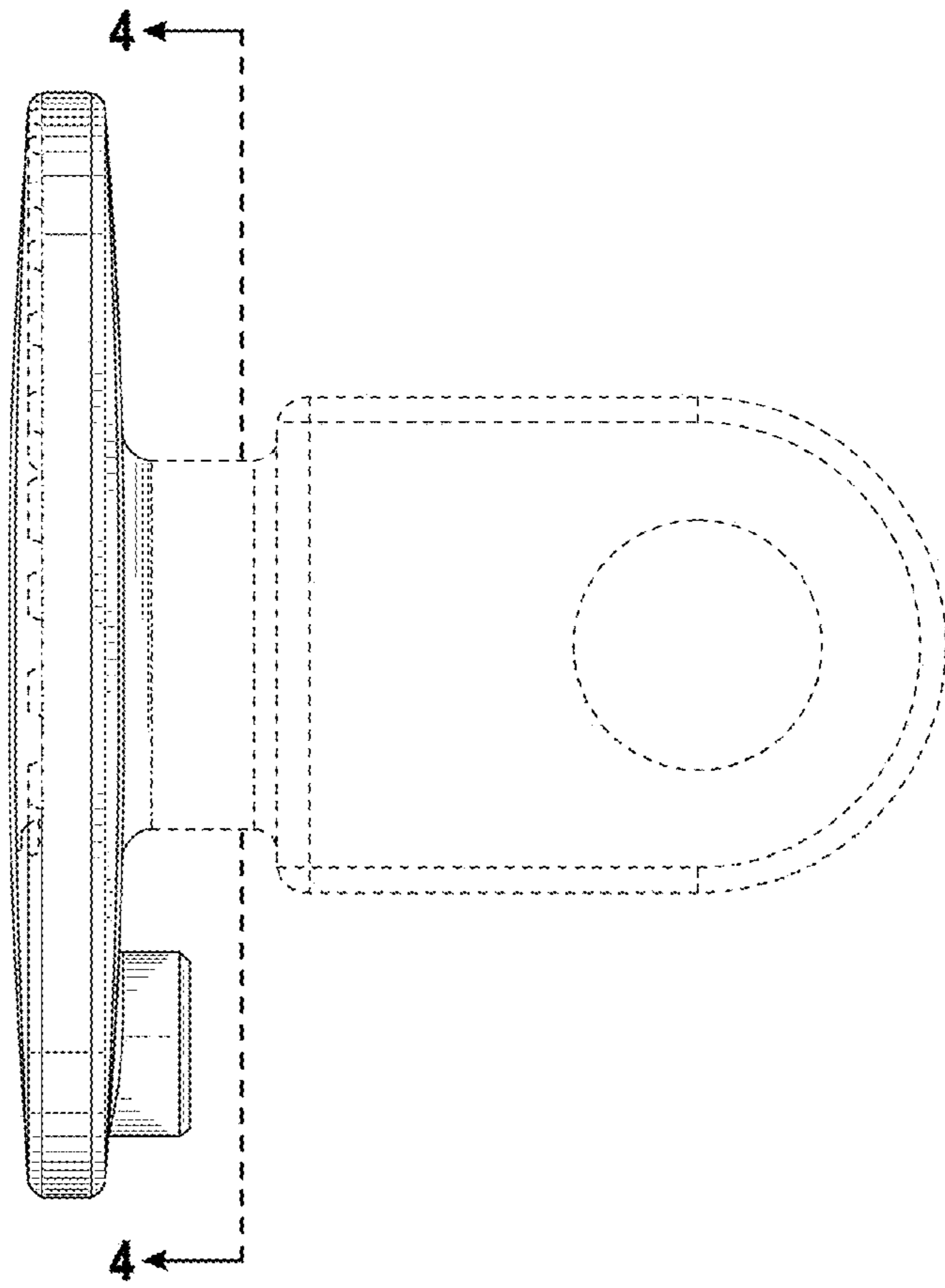


FIG. 5

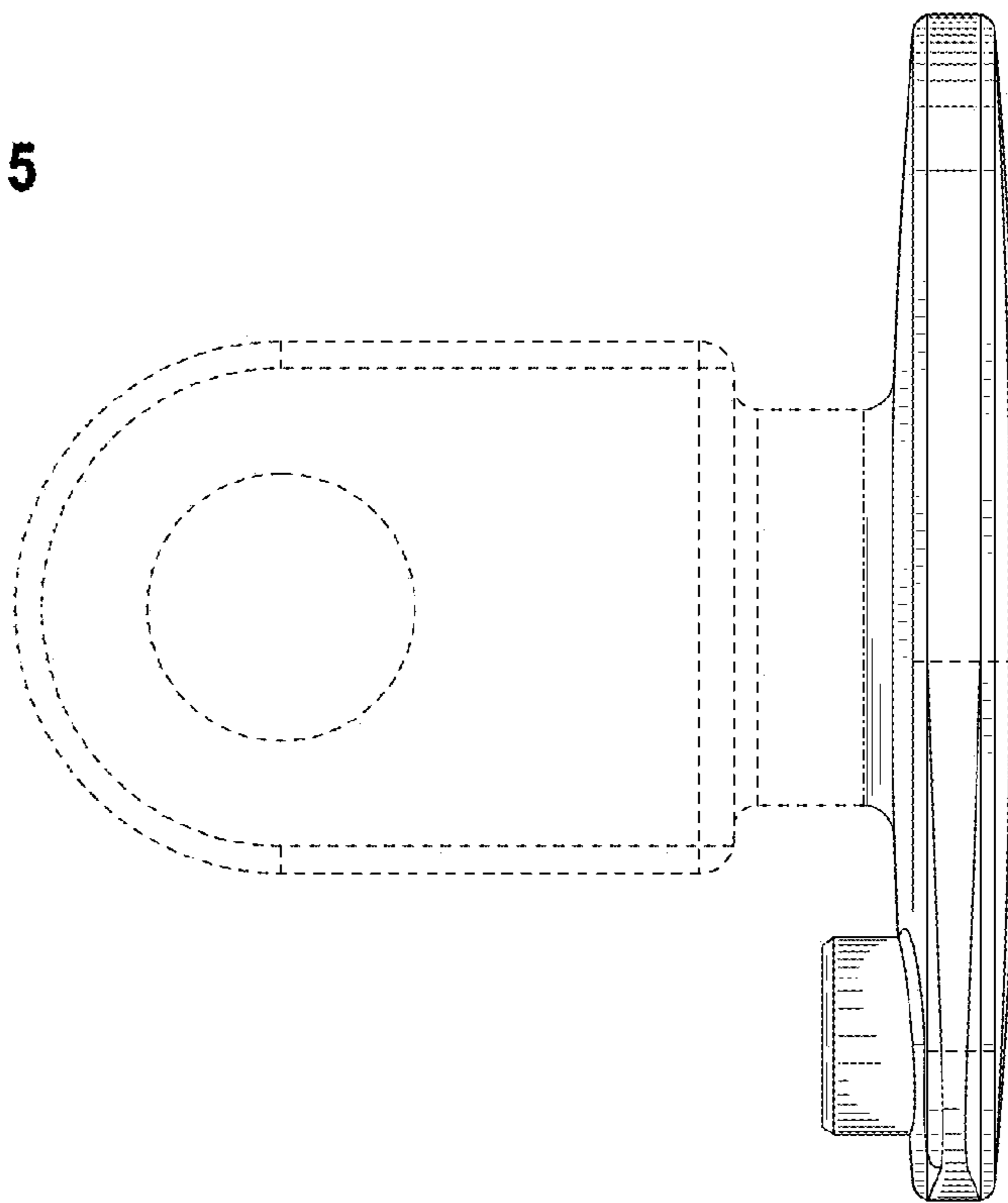


FIG. 6

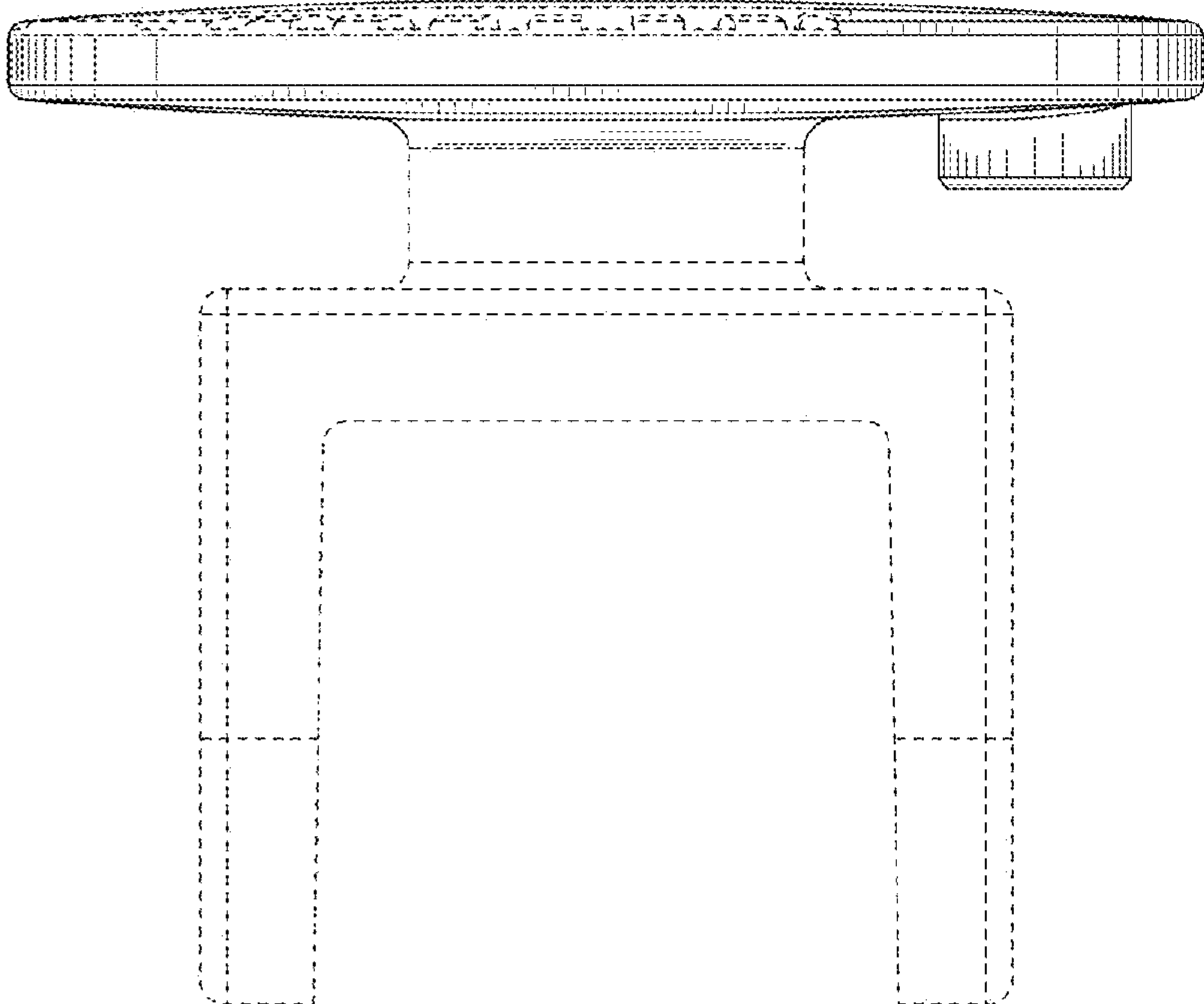


FIG. 7

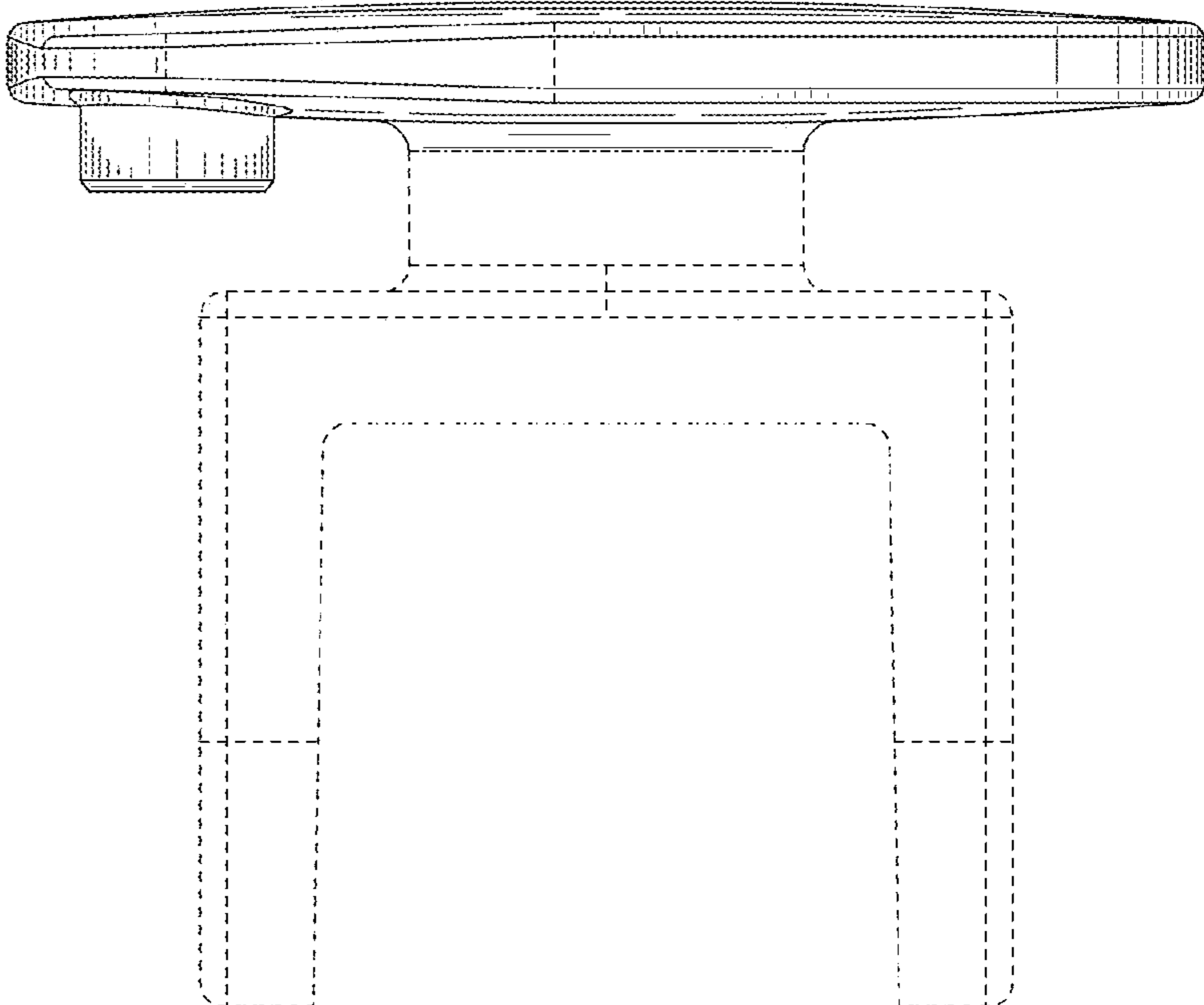


FIG. 8

UNITED STATES PATENT AND TRADEMARK OFFICE  
**CERTIFICATE OF CORRECTION**

PATENT NO. : D684,158 S  
APPLICATION NO. : 29/438479  
DATED : June 11, 2013  
INVENTOR(S) : Bradley A. Derry et al.

Page 1 of 1

It is certified that error appears in the above-identified patent and that said Letters Patent is hereby corrected as shown below:

Title page, Description, line 17, "and" following the word "1-8" should be deleted.

Signed and Sealed this  
Sixteenth Day of July, 2013



Teresa Stanek Rea  
*Acting Director of the United States Patent and Trademark Office*