



US00D684155S

(12) **United States Design Patent**  
**Hsu et al.**

(10) **Patent No.:** **US D684,155 S**  
(45) **Date of Patent:** **\*\* \*Jun. 11, 2013**

- (54) **ELECTRONIC DEVICE**
- (75) Inventors: **Ming-Fang Hsu**, Taipei (TW);  
**Ming-Chih Hsieh**, Taipei (TW);  
**Lian-Tien Ke**, Taipei (TW)
- (73) Assignee: **ASUSTeK Computer Inc.**, Taipei (TW)
- (\* ) Notice: This patent is subject to a terminal disclaimer.
- (\*\*) Term: **14 Years**
- (21) Appl. No.: **29/415,914**
- (22) Filed: **Mar. 15, 2012**
- (51) **LOC (9) Cl.** ..... **14-02**
- (52) **U.S. Cl.**  
USPC ..... **D14/434; D14/374**
- (58) **Field of Classification Search**  
USPC ..... D14/432-434, 314, 204, 420, 421,  
D14/447, 217, 358, 138 R, 140, 142, 374,  
D14/375, 341; D13/107, 108, 146; D8/373;  
248/346.03, 176.1; 361/679.41, 679.31, 679.32,  
361/679.4, 679.43, 679.55, 679.58, 679.33;  
320/109, 112-115; 710/15, 303; 455/557;  
439/347, 534  
See application file for complete search history.

6,644,611 B1 *	11/2003	Tai	.....	248/292.13
D575,786 S *	8/2008	Solomon et al.	.....	D14/434
D579,917 S *	11/2008	Marchand et al.	.....	D14/217
D584,732 S *	1/2009	Cho et al.	.....	D14/434
7,708,240 B2 *	5/2010	Homer et al.	.....	248/130

\* cited by examiner

*Primary Examiner* — Freda S Nunn

(74) *Attorney, Agent, or Firm* — Muncy, Geissler, Olds & Lowe, PLLC

(57) **CLAIM**

The ornamental design for an electronic device, as shown and described.

**DESCRIPTION**

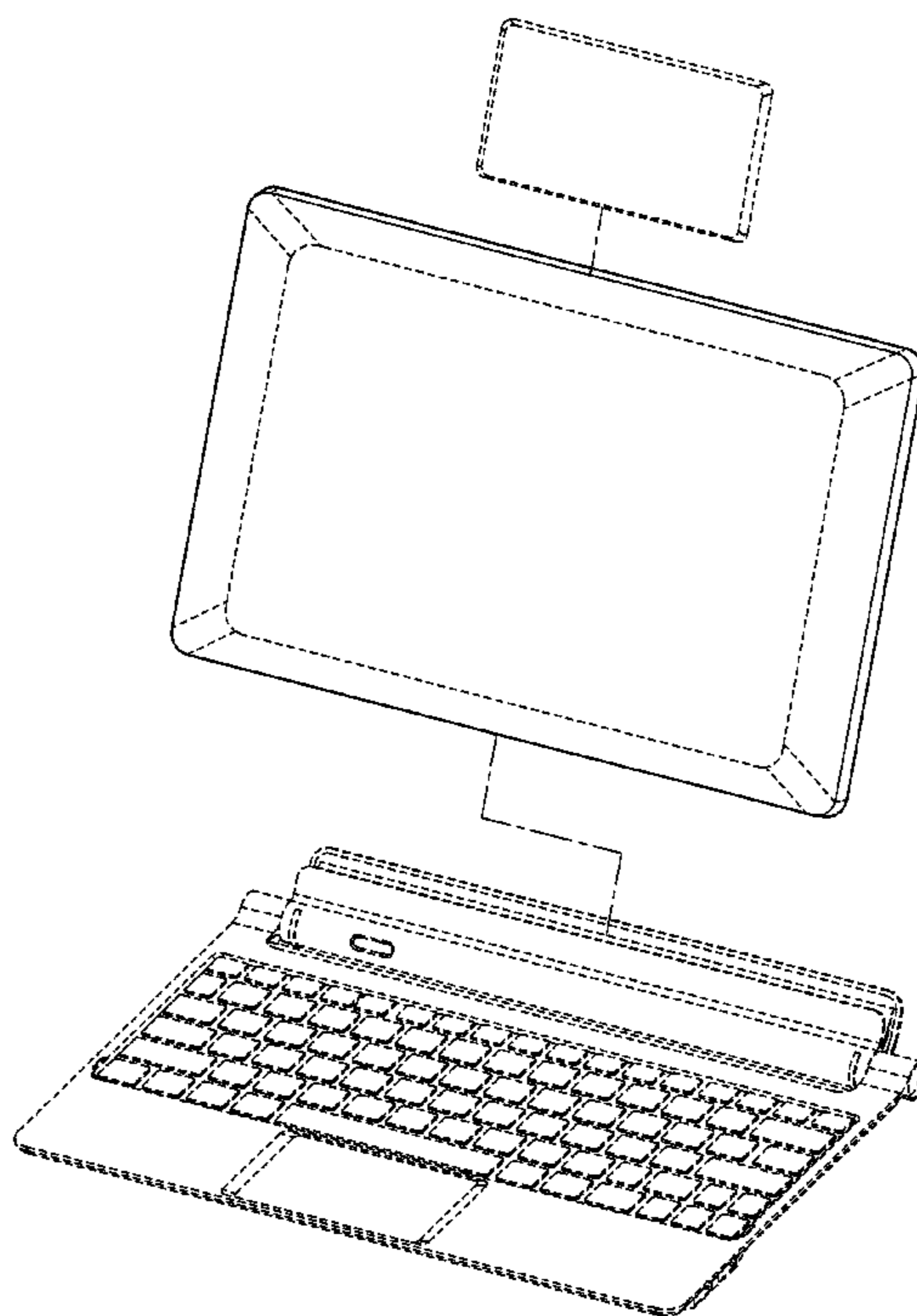
FIG. 1 is a perspective view of an electronic device in accordance with the present invention;  
 FIG. 2 is a front-view thereof;  
 FIG. 3 is a back view thereof;  
 FIG. 4 is a left view thereof;  
 FIG. 5 is a right view thereof;  
 FIG. 6 is a top plan view thereof;  
 FIG. 7 is a bottom plan view thereof;  
 FIG. 8 is another perspective view thereof wherein a mobile phone is shown in broken lines and ready to be installed into the concave of the electronic device; and,  
 FIG. 9 is another perspective view thereof showing a mobile phone ready to be installed into the electronic device and the electronic device ready to be installed into a keypad docking.  
 The broken lines shown in figures illustrate environmental structures only and form no part of the claimed design.

**1 Claim, 7 Drawing Sheets**

(56) **References Cited**

**U.S. PATENT DOCUMENTS**

5,248,264 A *	9/1993	Long et al.	.....	439/347
D344,708 S *	3/1994	Ho	.....	D13/108
D445,087 S *	7/2001	Skoger et al.	.....	D13/108



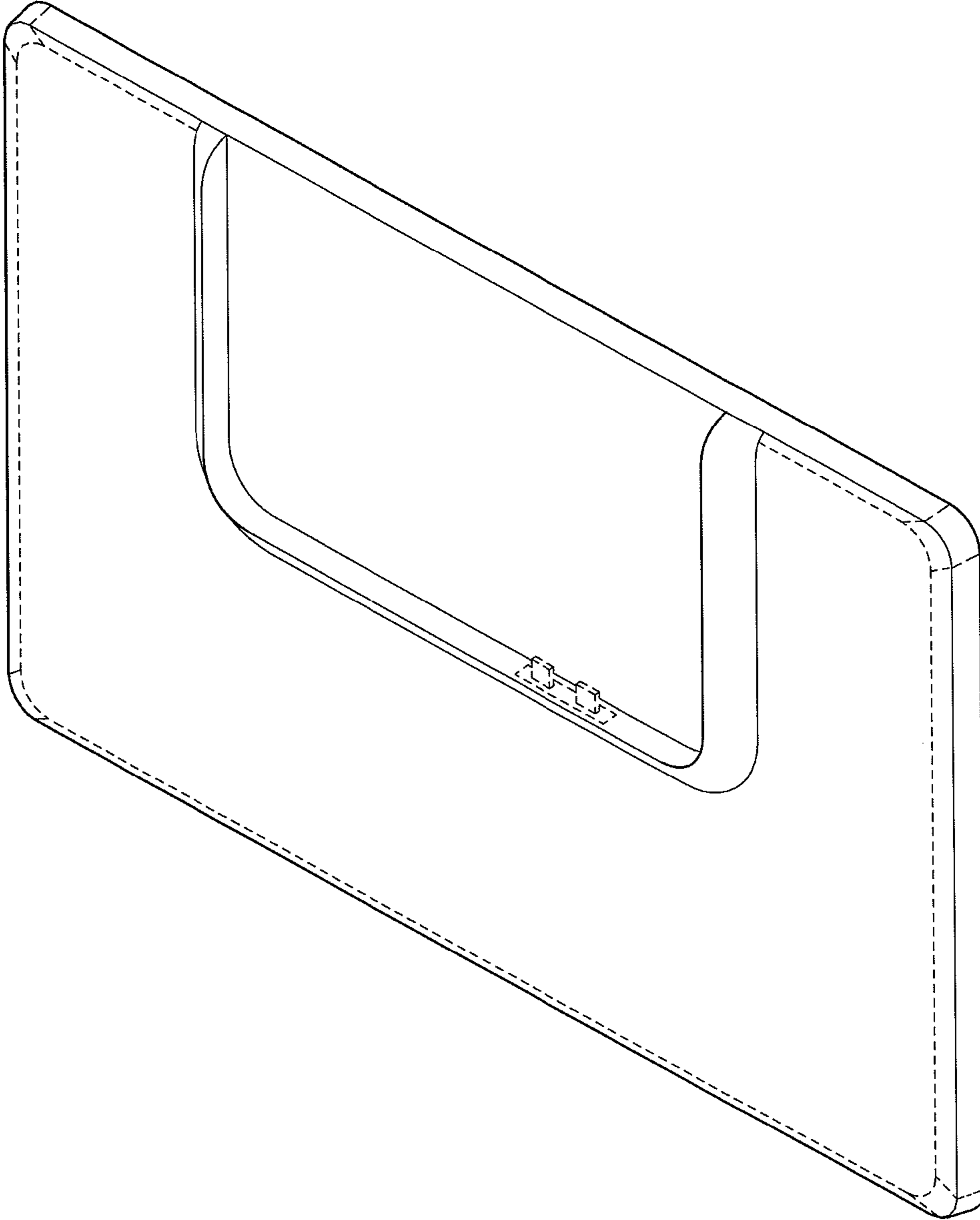


FIG. 1

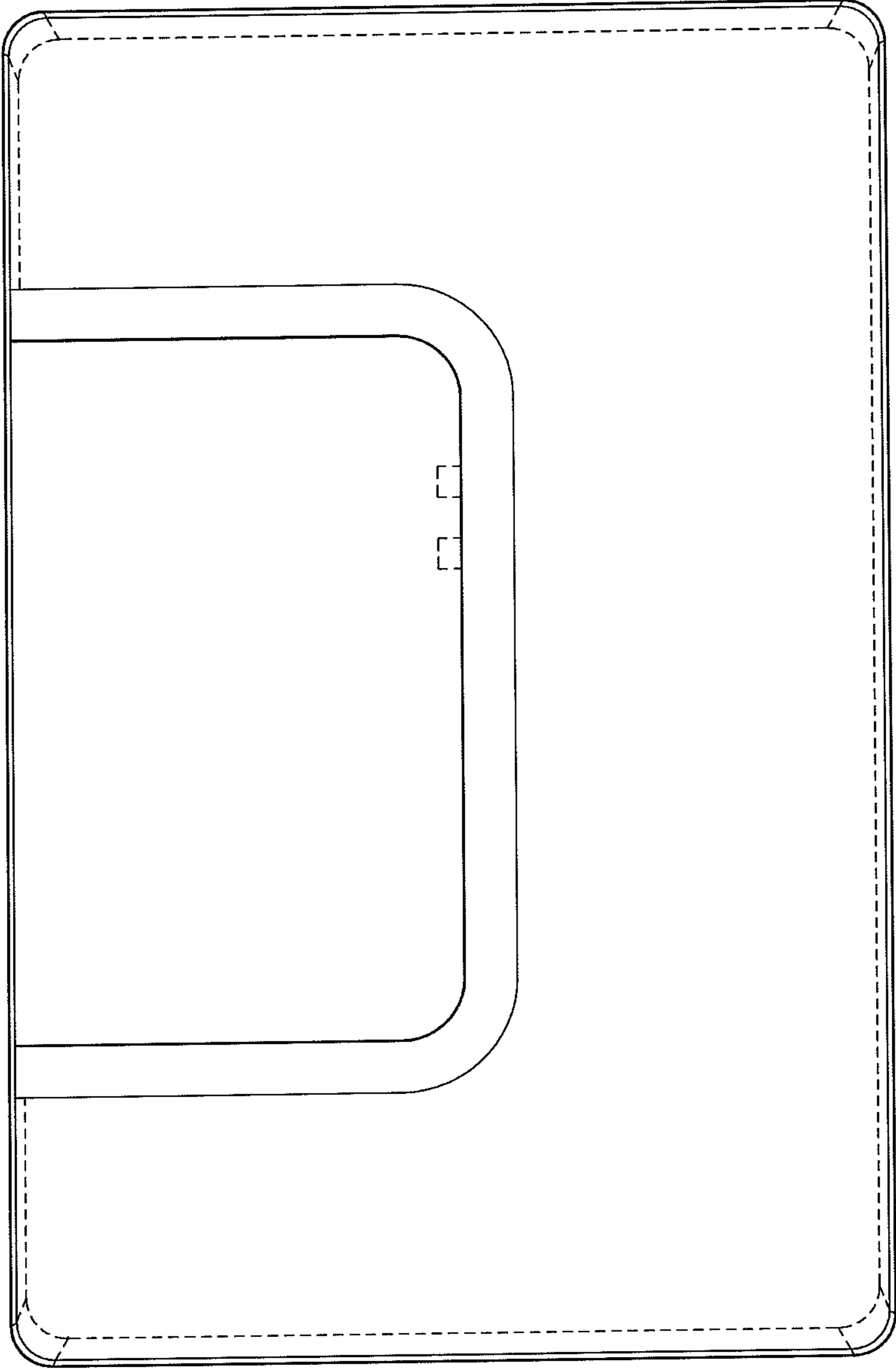


FIG. 2

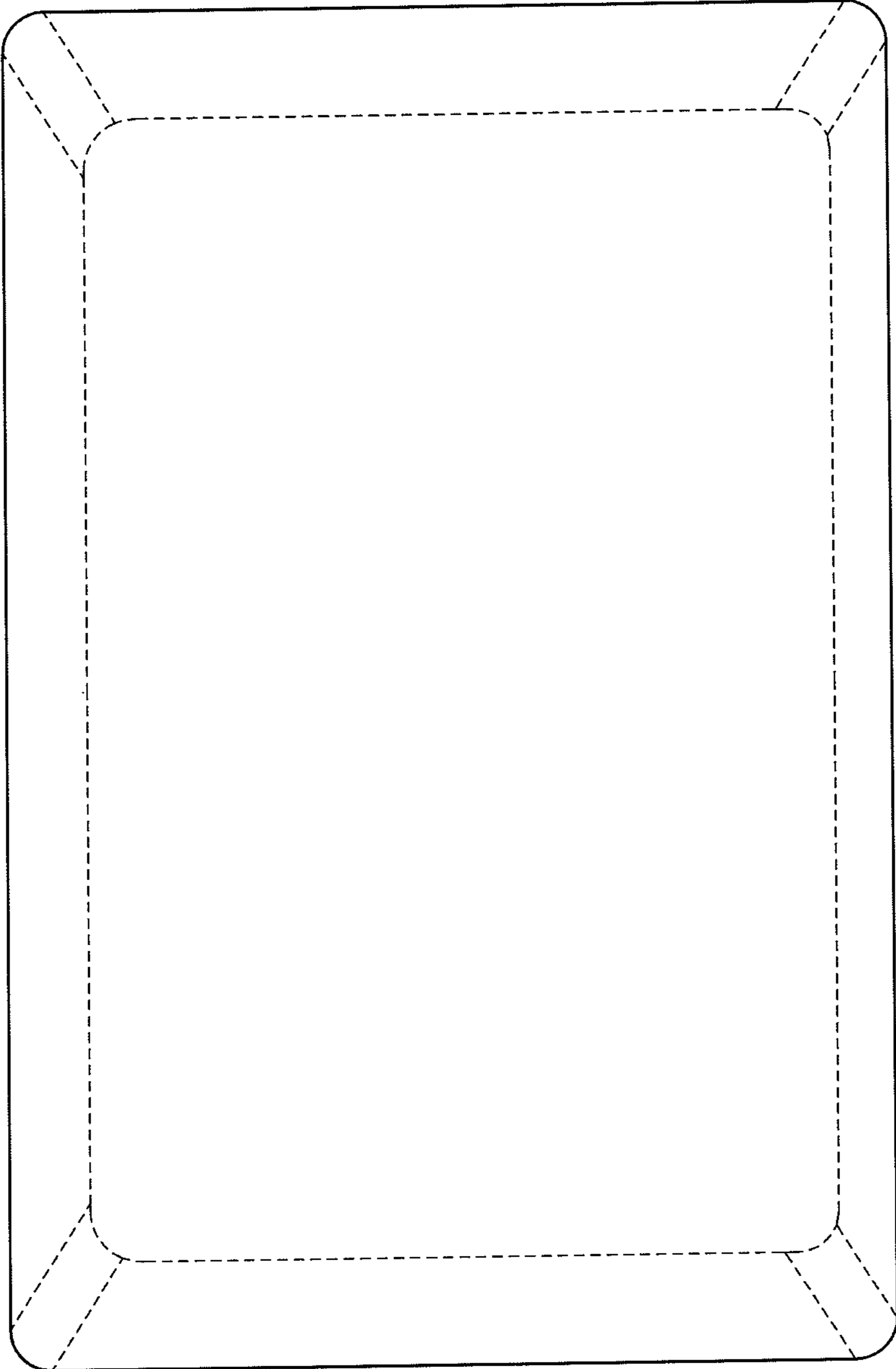


FIG. 3

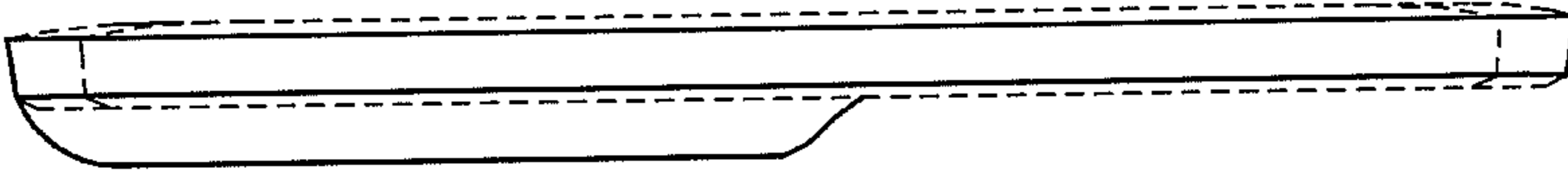


FIG. 5



FIG. 4



FIG. 6

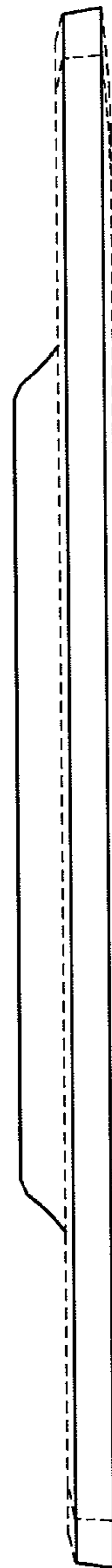


FIG. 7

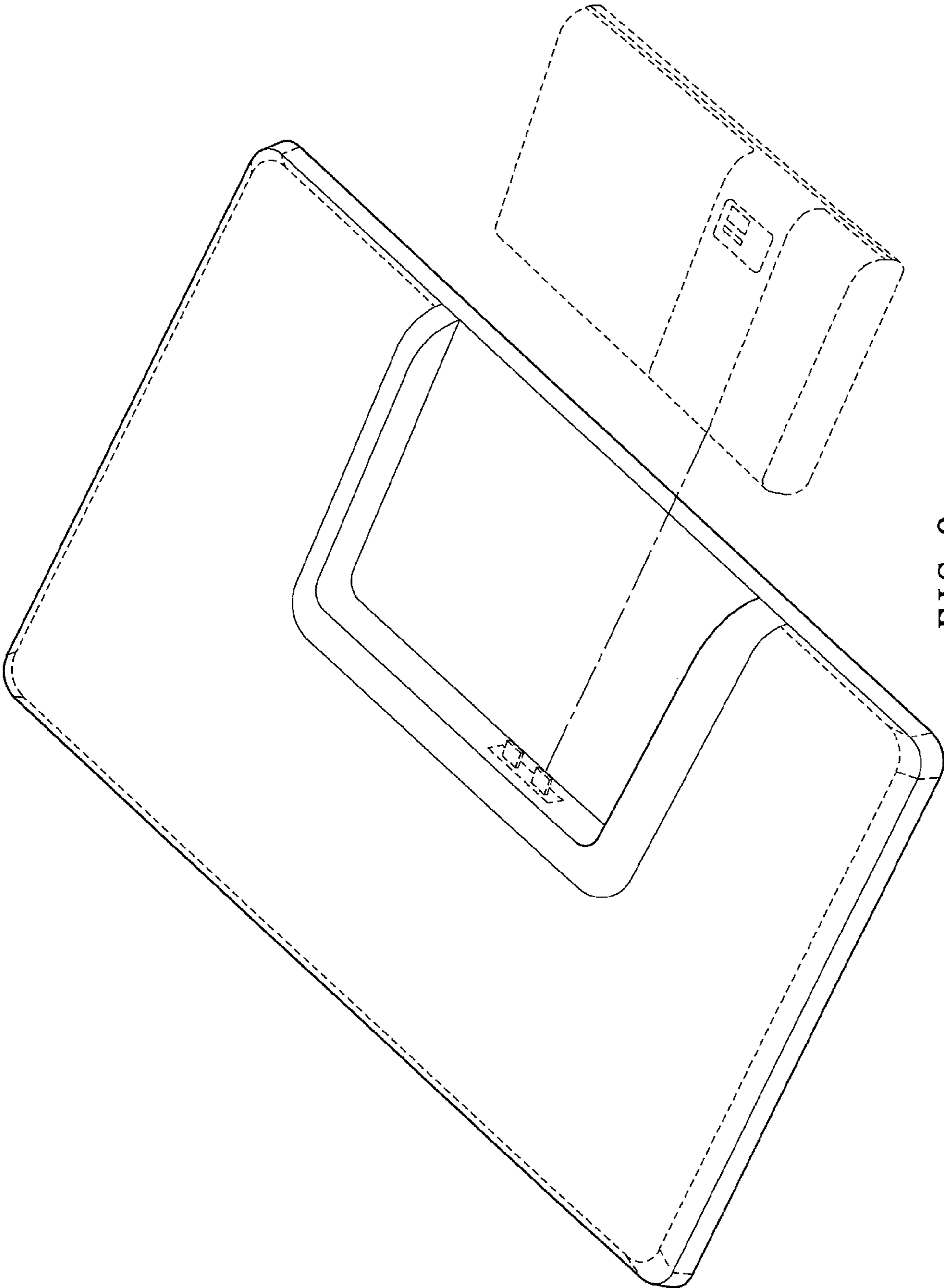


FIG. 8

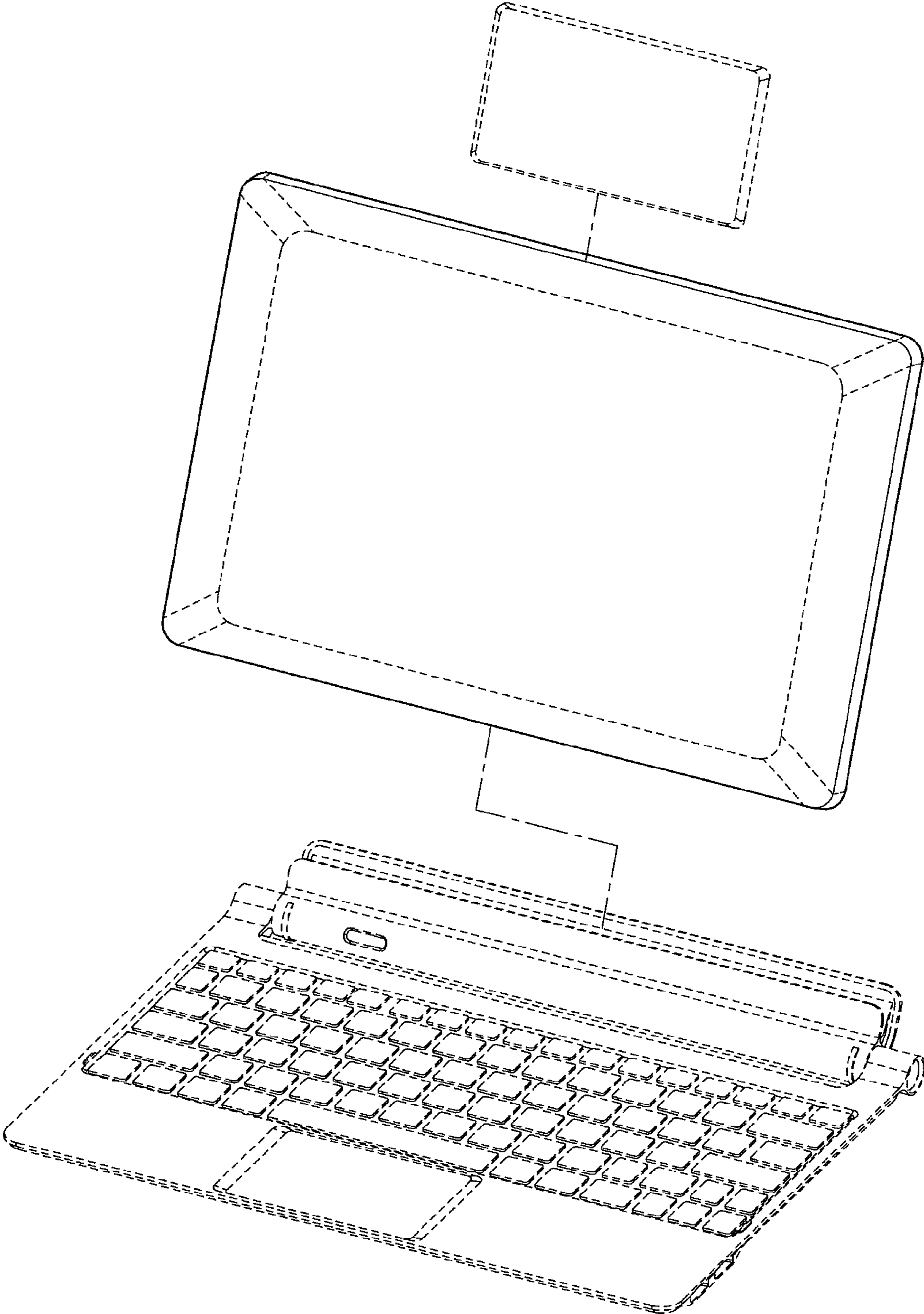


FIG. 9