



US00D684153S

(12) **United States Design Patent**  
**Nakano**

(10) **Patent No.:** **US D684,153 S**  
(45) **Date of Patent:** **\*\* Jun. 11, 2013**

(54) **INFORMATION TRANSMITTER**

(75) Inventor: **Rumi Nakano**, Tokyo (JP)

(73) Assignee: **Sony Corporation**, Tokyo (JP)

(\*\*) Term: **14 Years**

(21) Appl. No.: **29/347,501**

(22) Filed: **Feb. 12, 2010**

(30) **Foreign Application Priority Data**

Dec. 25, 2009	(JP)	.....	D2009-030406
Dec. 25, 2009	(JP)	.....	D2009-030407
Dec. 25, 2009	(JP)	.....	D2009-030408
Dec. 25, 2009	(JP)	.....	D2009-030409
Dec. 25, 2009	(JP)	.....	D2009-030410
Dec. 25, 2009	(JP)	.....	D2009-030411
Dec. 25, 2009	(JP)	.....	D2009-030412
Dec. 25, 2009	(JP)	.....	D2009-030413
Dec. 25, 2009	(JP)	.....	D2009-030414
Dec. 25, 2009	(JP)	.....	D2009-030415
Dec. 25, 2009	(JP)	.....	D2009-030416
Dec. 25, 2009	(JP)	.....	D2009-030417
Dec. 25, 2009	(JP)	.....	D2009-030418

(51) **LOC (9) Cl.** ..... **14-02**

(52) **U.S. Cl.**  
USPC ..... **D14/345**

(58) **Field of Classification Search**  
USPC ..... D14/341-347, 137, 138, 138.1, 138 AA,  
D14/138 R, 138 AB, 138 C, 138 G, 496,  
D14/203.1, 203.3, 203.4, 203.7, 426, 427,  
D14/428, 429, 130, 420, 439-441, 448, 125,  
D14/147, 156, 218, 389, 336, 315, 432, 129,  
D14/247-248, 250, 388; D10/65, 104; D21/324,  
D21/329, 330; D19/60; 345/169, 901, 905,  
345/156, 173; 348/169; 361/804; 341/22,  
341/23; 379/433.04, 433.07, 433.11, 916,  
379/433.01, 433.06; D18/6, 7; 455/556.1,  
455/556.2, 566, 575.1, 575.3, 575.4, 90.3

See application file for complete search history.

(56) **References Cited**

U.S. PATENT DOCUMENTS

D324,673 S \* 3/1992 Iino ..... D14/315  
D378,686 S \* 4/1997 Proctor et al. .... D19/60

(Continued)

FOREIGN PATENT DOCUMENTS

JP D1078486 S 7/2000  
KR 300410299 \* 3/2006

(Continued)

*Primary Examiner* — Barbara Fox

(74) *Attorney, Agent, or Firm* — Rader, Fishman & Grauer  
PLLC

(57) **CLAIM**

The ornamental design for an information transmitter, as  
shown and described.

**DESCRIPTION**

FIG. 1 is a perspective view of an information transmitter  
showing my new design;

FIG. 2 is a front elevational view thereof;

FIG. 3 is a left side elevational view thereof; and

FIG. 4 is a left side elevational view thereof in the closed  
condition.

FIG. 5 is a perspective view of another embodiment of an  
information transmitter showing my new design;

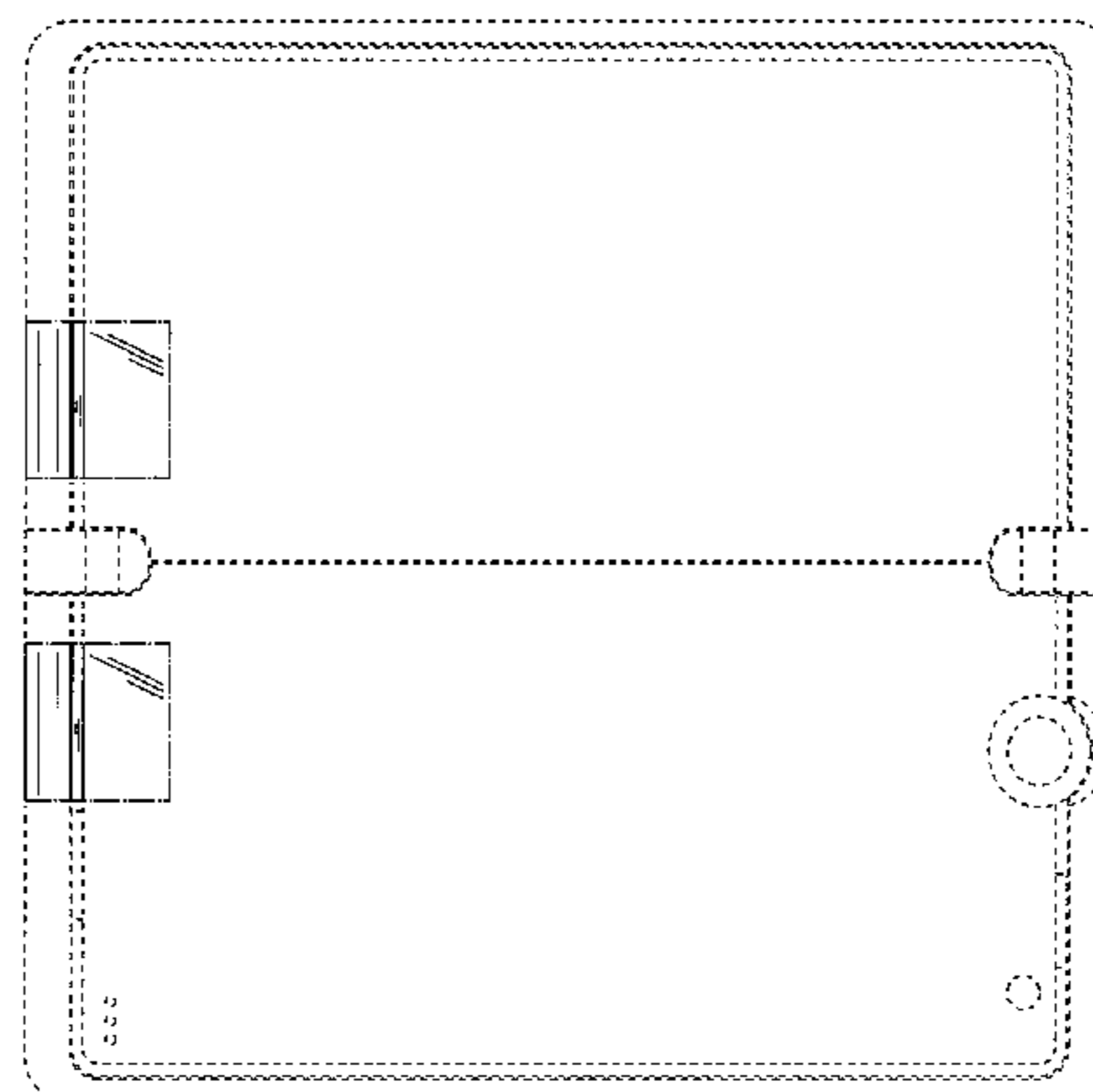
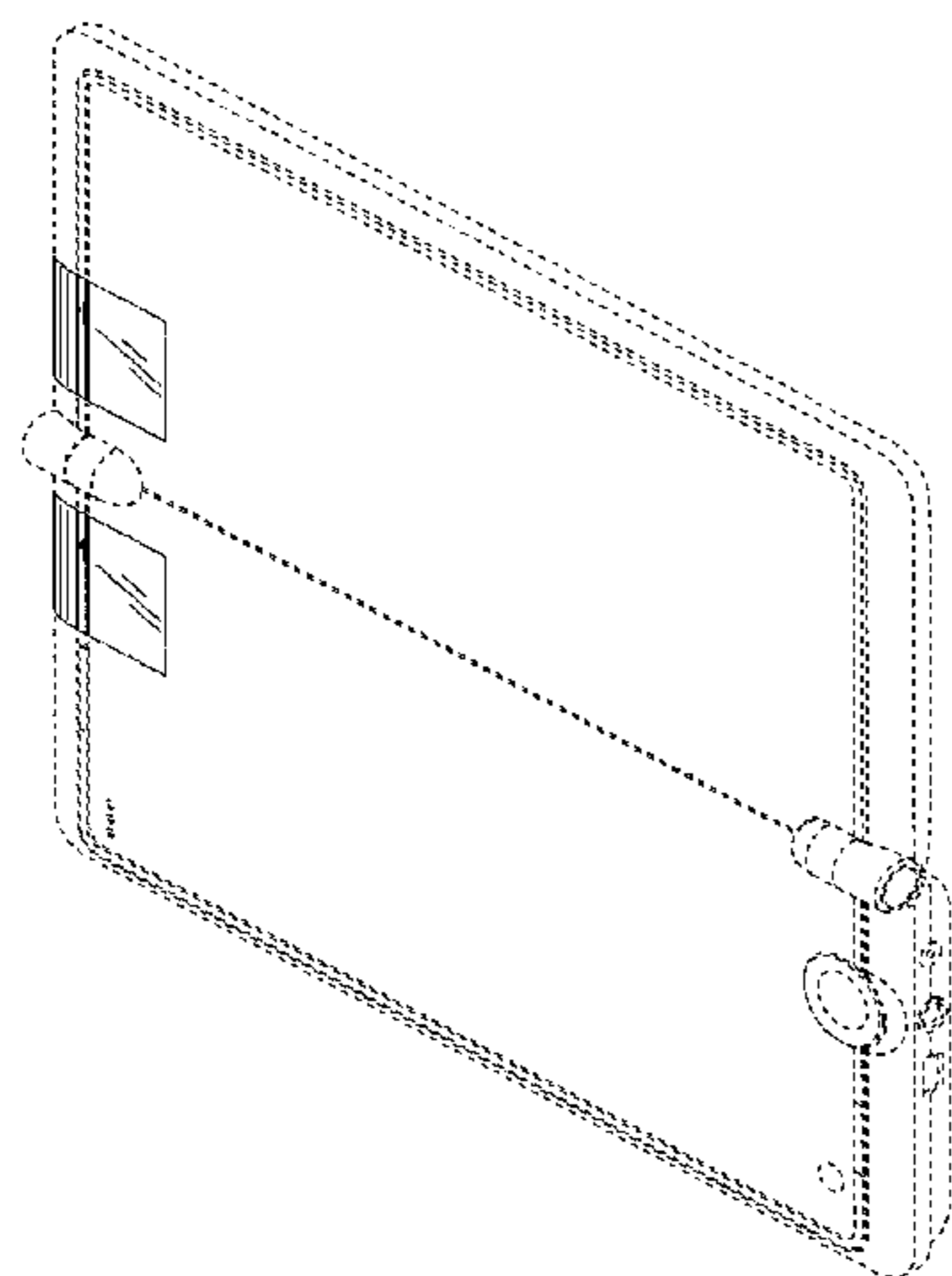
FIG. 6 is a front elevational view thereof;

FIG. 7 is a left side elevational view thereof; and,

FIG. 8 is a left side elevational view thereof in the closed  
condition.

The even broken lines showing in the drawings illustrate  
unclaimed portions of the information transmitter and form  
no part of the claimed design. The dot-dash broken lines  
which define the bounds of the claimed design form no part  
thereof.

**1 Claim, 8 Drawing Sheets**



# US D684,153 S

Page 2

## U.S. PATENT DOCUMENTS

D391,987 S \* 3/1998 Jambhekar et al. .... D14/345  
D399,526 S \* 10/1998 Brady ..... D14/345  
D430,117 S \* 8/2000 Sachs et al. .... D14/345  
D434,070 S \* 11/2000 Lin et al. .... D19/21  
D445,787 S \* 7/2001 Francis ..... D14/345  
D449,606 S \* 10/2001 Lee et al. .... D14/345  
6,437,973 B1 \* 8/2002 Helot et al. .... 361/679.29  
D476,987 S \* 7/2003 Takiguchi et al. .... D14/341  
D491,942 S 6/2004 Takahashi  
D493,463 S 7/2004 Takahashi  
D494,166 S 8/2004 Kumagai et al.  
D503,165 S 3/2005 Tsuge  
D521,508 S \* 5/2006 Ting ..... D14/341  
D521,992 S \* 5/2006 Morooka et al. .... D14/316  
D521,996 S \* 5/2006 Kim et al. .... D14/375  
7,138,982 B2 \* 11/2006 Sugimoto ..... 345/169  
D534,531 S 1/2007 Ogasawara  
D540,319 S 4/2007 Iseki  
D551,186 S \* 9/2007 Yang et al. .... D14/126  
D558,756 S \* 1/2008 Andre et al. .... D14/341  
D558,757 S \* 1/2008 Andre et al. .... D14/341  
D559,247 S 1/2008 Kawase

D585,444 S \* 1/2009 Verschoor ..... D14/345  
D587,704 S \* 3/2009 McCoy ..... D14/345  
D588,126 S \* 3/2009 Chiang et al. .... D14/345  
D590,825 S \* 4/2009 Liu ..... D14/341  
D594,004 S \* 6/2009 Takemasa ..... D14/341  
D594,005 S \* 6/2009 Shi et al. .... D14/341  
D595,712 S \* 7/2009 Guery et al. .... D14/341  
D600,242 S \* 9/2009 Yeh et al. .... D14/341  
D606,993 S \* 12/2009 Watson et al. .... D14/341  
D613,735 S \* 4/2010 Andre et al. .... D14/341  
D618,683 S \* 6/2010 Wilson et al. .... D14/371  
D626,124 S \* 10/2010 Chyan et al. .... D14/341  
D631,043 S \* 1/2011 Kell ..... D14/341  
2004/0042167 A1 \* 3/2004 Maruyama ..... 361/683  
2005/0184982 A1 \* 8/2005 Sugimoto ..... 345/204  
2005/0264540 A1 \* 12/2005 Niwa ..... 345/173

## FOREIGN PATENT DOCUMENTS

KR 300545328 \* 10/2008  
KR 300532467 \* 7/2009  
KR 300577671 \* 9/2009  
KR 300585855 \* 10/2009

\* cited by examiner

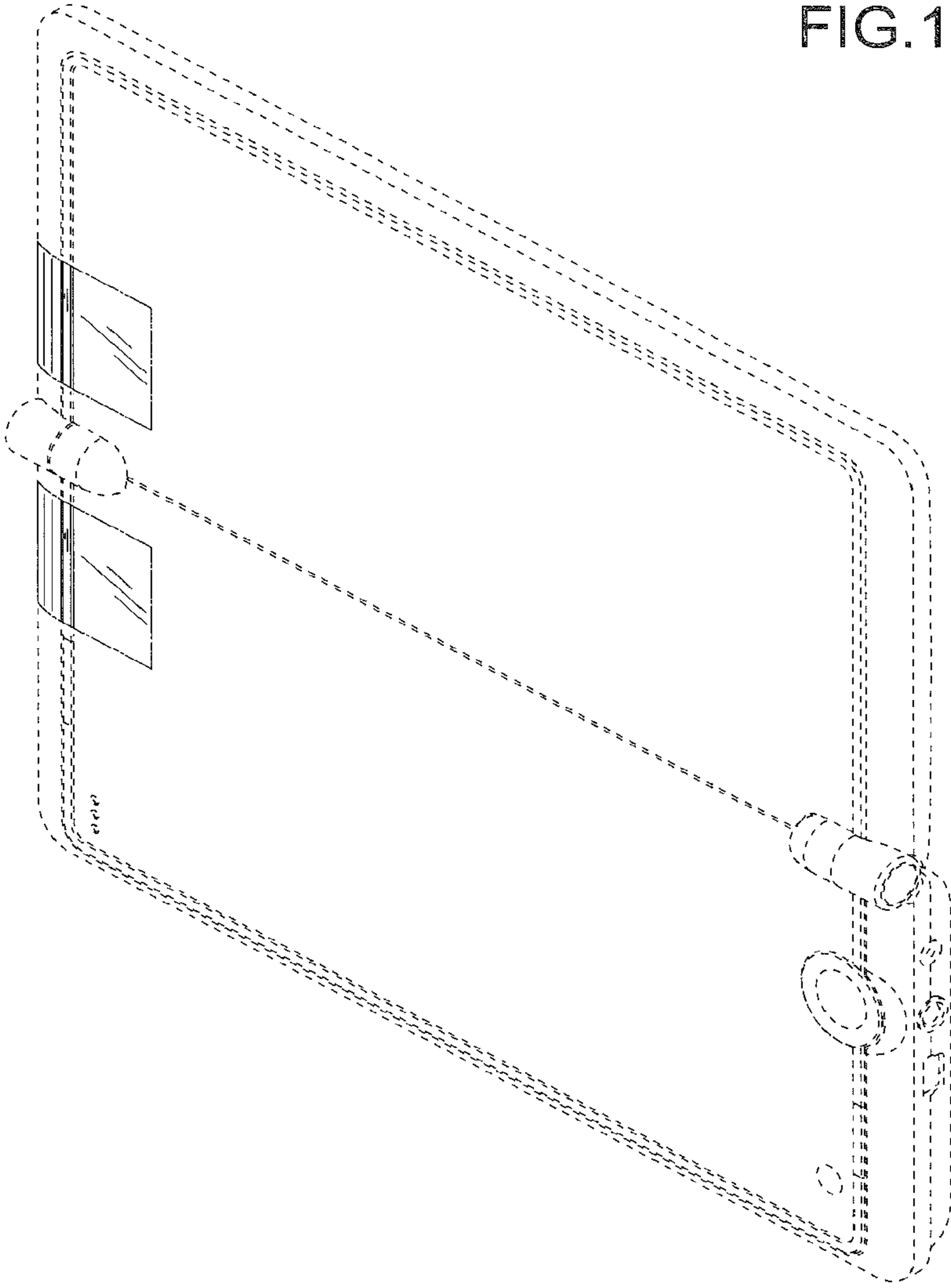


FIG. 1

FIG.2

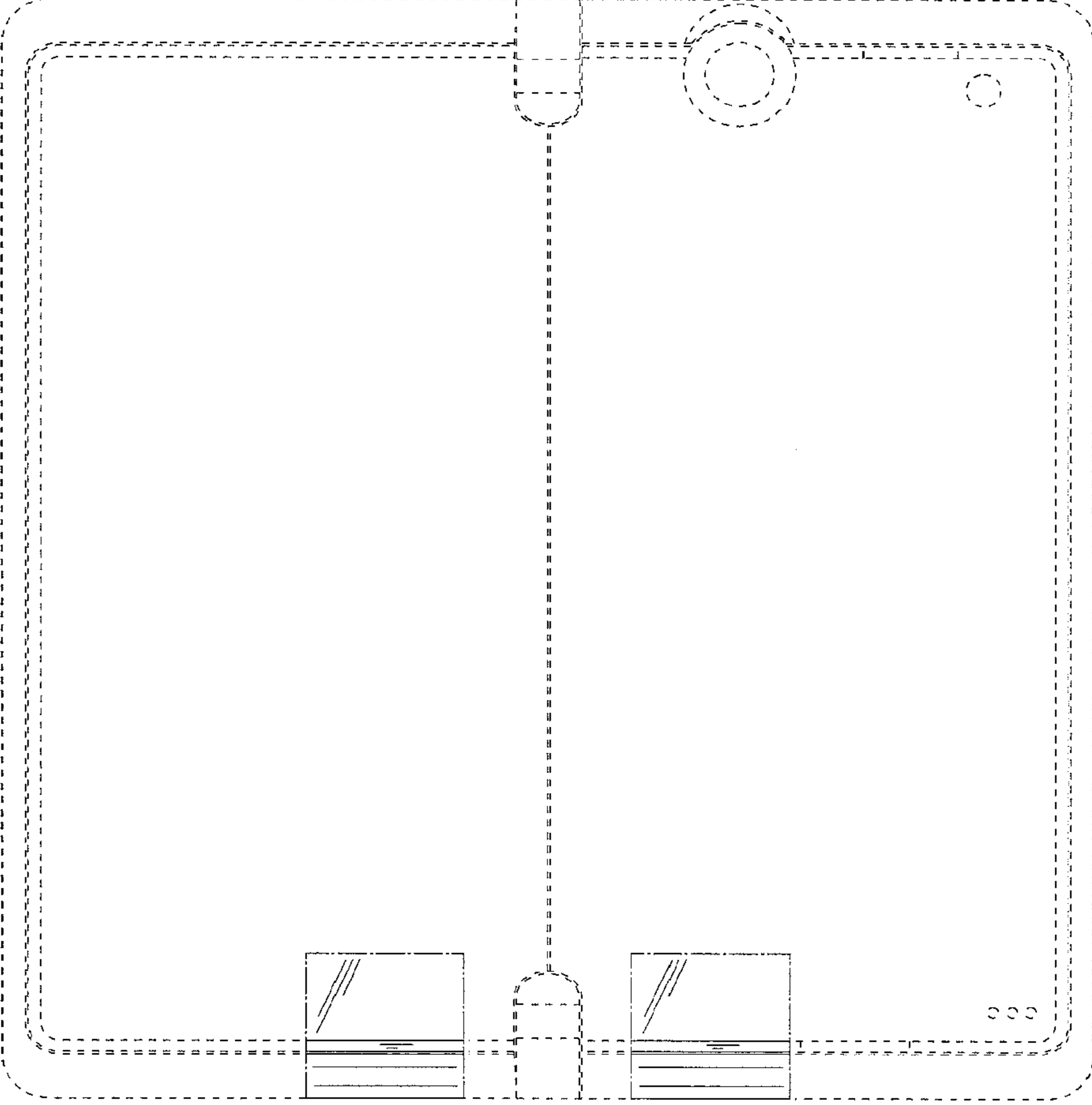


FIG.3

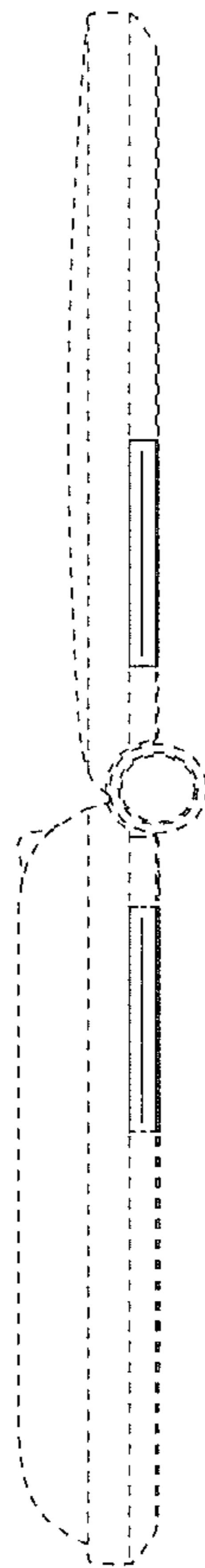


FIG. 4

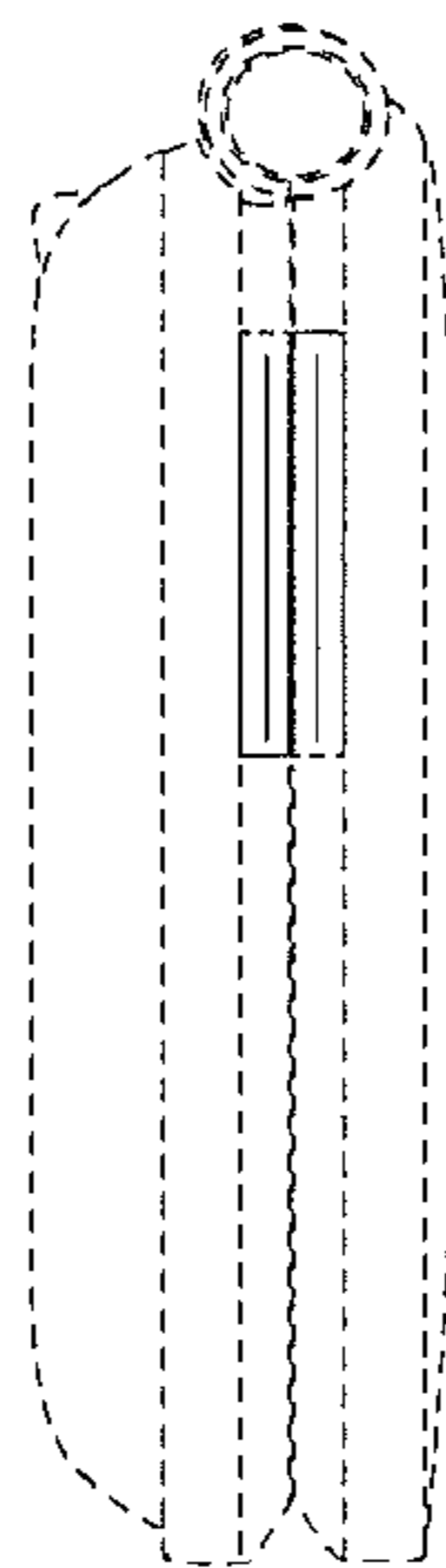


FIG.5

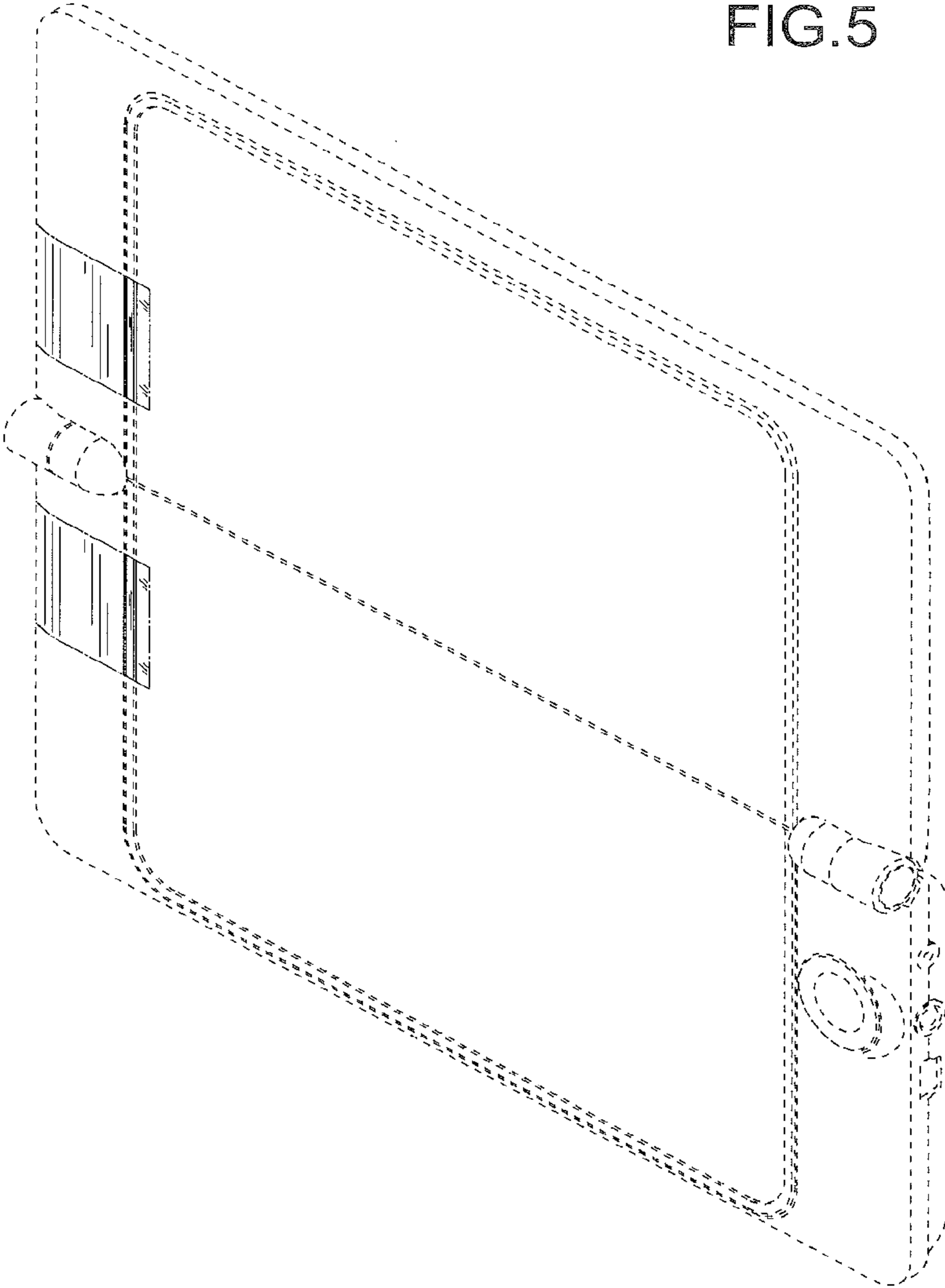


FIG.6

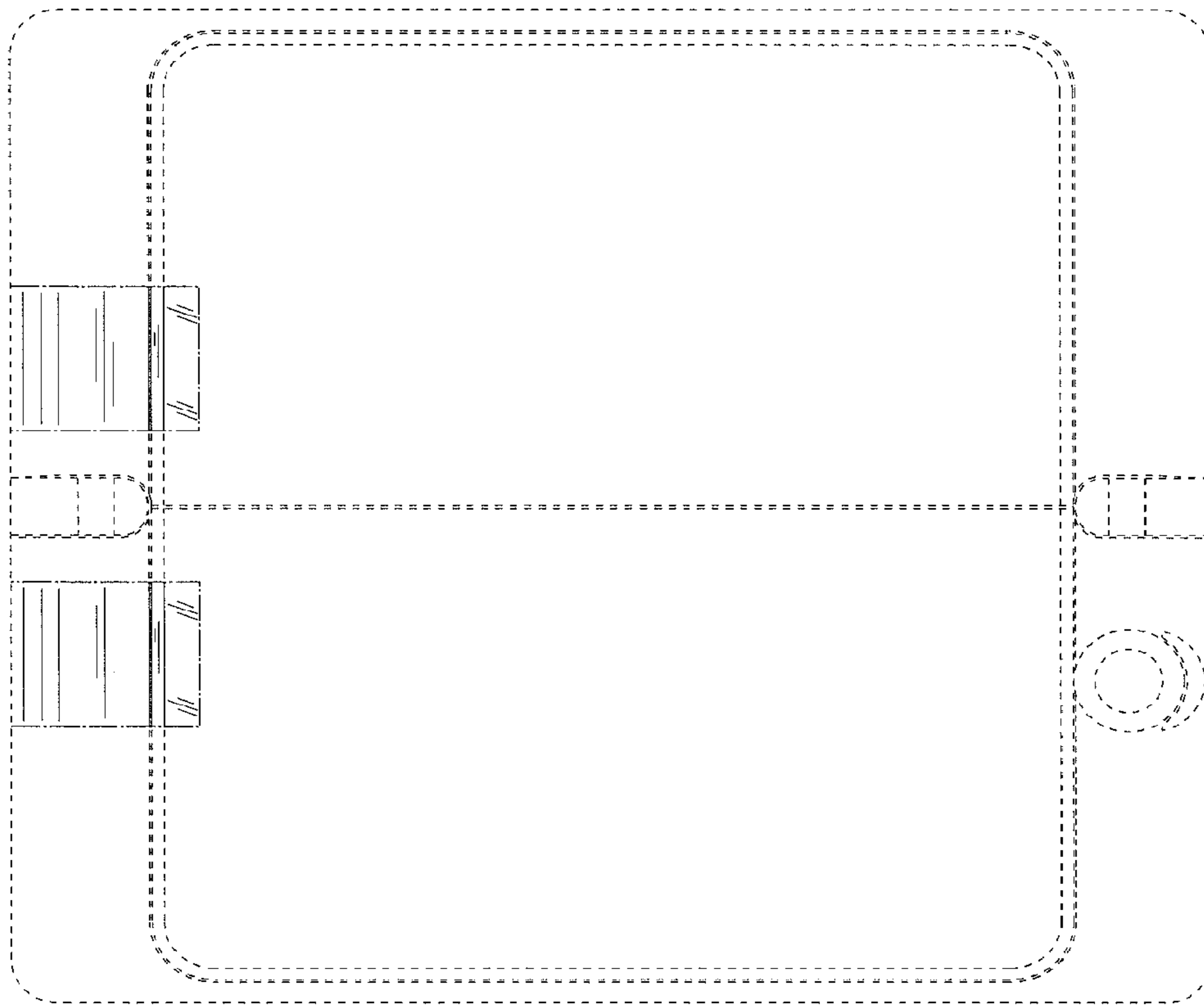




FIG.7

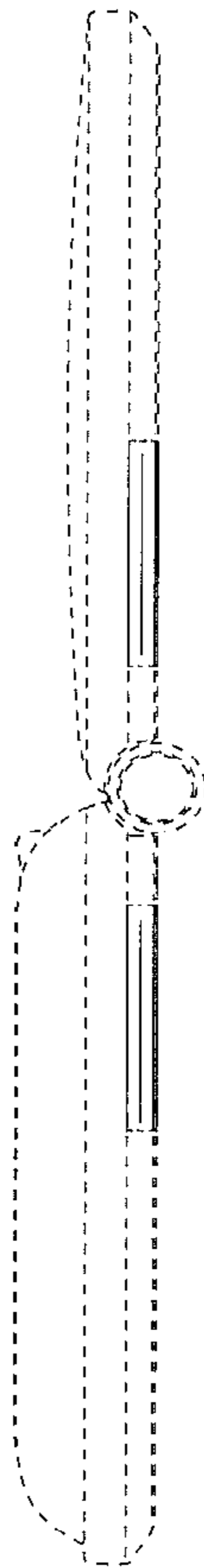


FIG.8

