



US00D684151S

(12) **United States Design Patent**
Andersson

(10) **Patent No.:** **US D684,151 S**
(45) **Date of Patent:** **** Jun. 11, 2013**

(54) **INDUSTRIAL PERSONAL COMPUTER**

(56) **References Cited**

(71) Applicant: **Siemens Aktiengesellschaft**, München (DE)

(72) Inventor: **Jan Andersson**, Erlangen (DE)

(73) Assignee: **Siemens Aktiengesellschaft**, Munich (DE)

(**) Term: **14 Years**

(21) Appl. No.: **29/437,613**

(22) Filed: **Nov. 19, 2012**

Related U.S. Application Data

(62) Division of application No. 29/387,912, filed on Mar. 21, 2011, now Pat. No. Des. 673,145.

(30) **Foreign Application Priority Data**

Sep. 21, 2010 (EM) 001235741

(51) **LOC (9) Cl.** **14-02**

(52) **U.S. Cl.**
USPC **D14/314**

(58) **Field of Classification Search**
USPC D14/348, 353-356, 363, 365-368,
D14/300, 313, 314; D13/162, 184, 199;
312/223.1-223.3; 360/99.01-99.12;
361/679.22, 679.23, 679.33-679.39, 679.4,
361/744

See application file for complete search history.

U.S. PATENT DOCUMENTS

5,251,106	A	*	10/1993	Hui	361/744
D371,768	S	*	7/1996	Kammersgard et al.	D14/313
D378,081	S	*	2/1997	Antonczak et al.	D13/184
D422,270	S	*	4/2000	Wong	D14/354
D474,767	S	*	5/2003	Heesen	D14/354
D541,269	S	*	4/2007	Heesen	D14/314
D554,638	S	*	11/2007	Heesen	D14/348
D566,704	S	*	4/2008	Cutting	D14/313
2010/0309621	A1	*	12/2010	Chang et al.	361/679.39

* cited by examiner

Primary Examiner — Freda S Nunn

(74) *Attorney, Agent, or Firm* — Cozen O'Connor

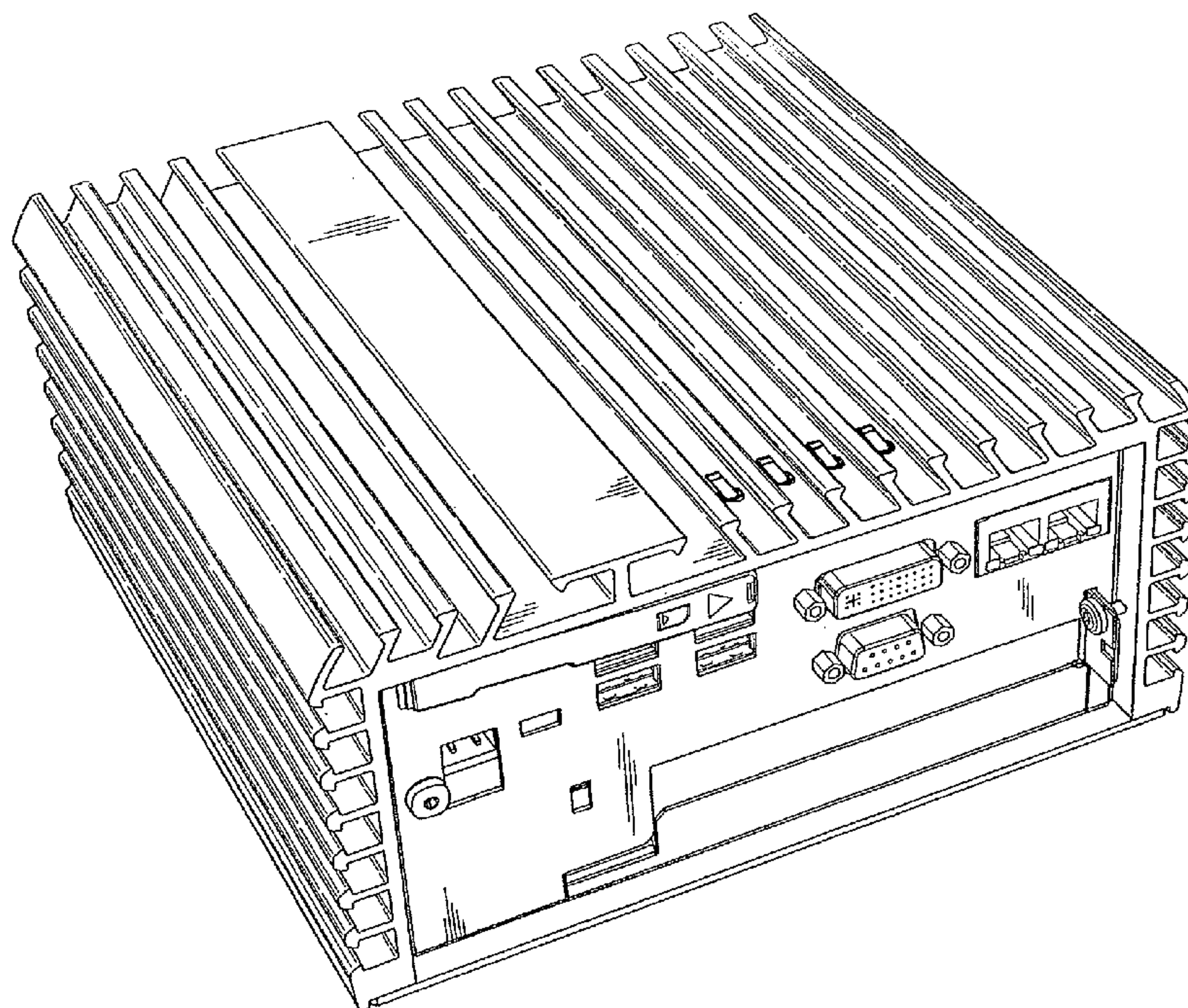
(57) **CLAIM**

The ornamental design for an industrial personal computer, as shown and described.

DESCRIPTION

FIG. 1 is a front elevational view of a industrial personal computer showing my new design;
FIG. 2 is a rear elevational view thereof;
FIG. 3 is a top plan view thereof;
FIG. 4 is a bottom plan view thereof;
FIG. 5 is a right-side elevation view thereof;
FIG. 6 is left-side elevation view thereof; and,
FIG. 7 is a front, top and left-side perspective view thereof.

1 Claim, 7 Drawing Sheets



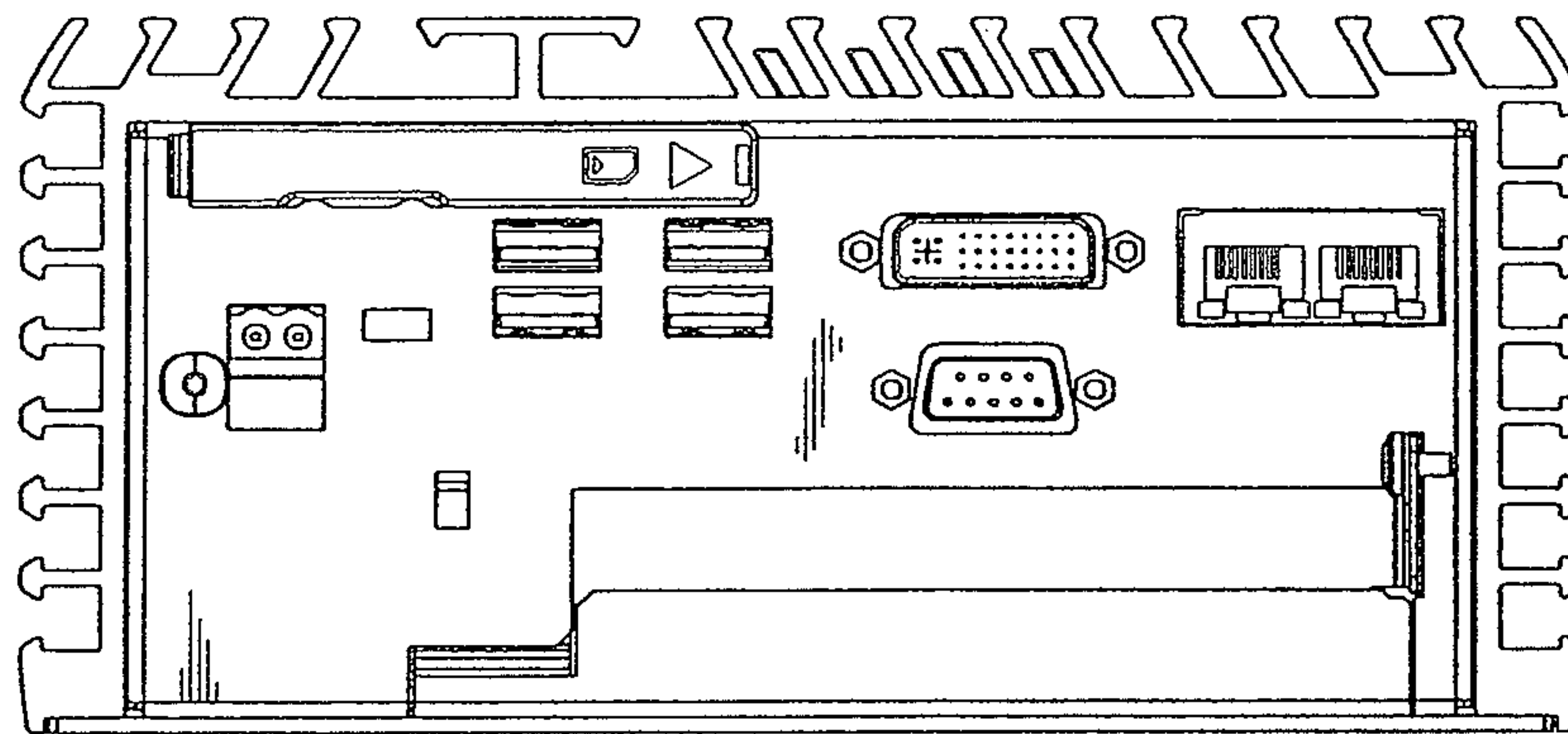


FIG. 1

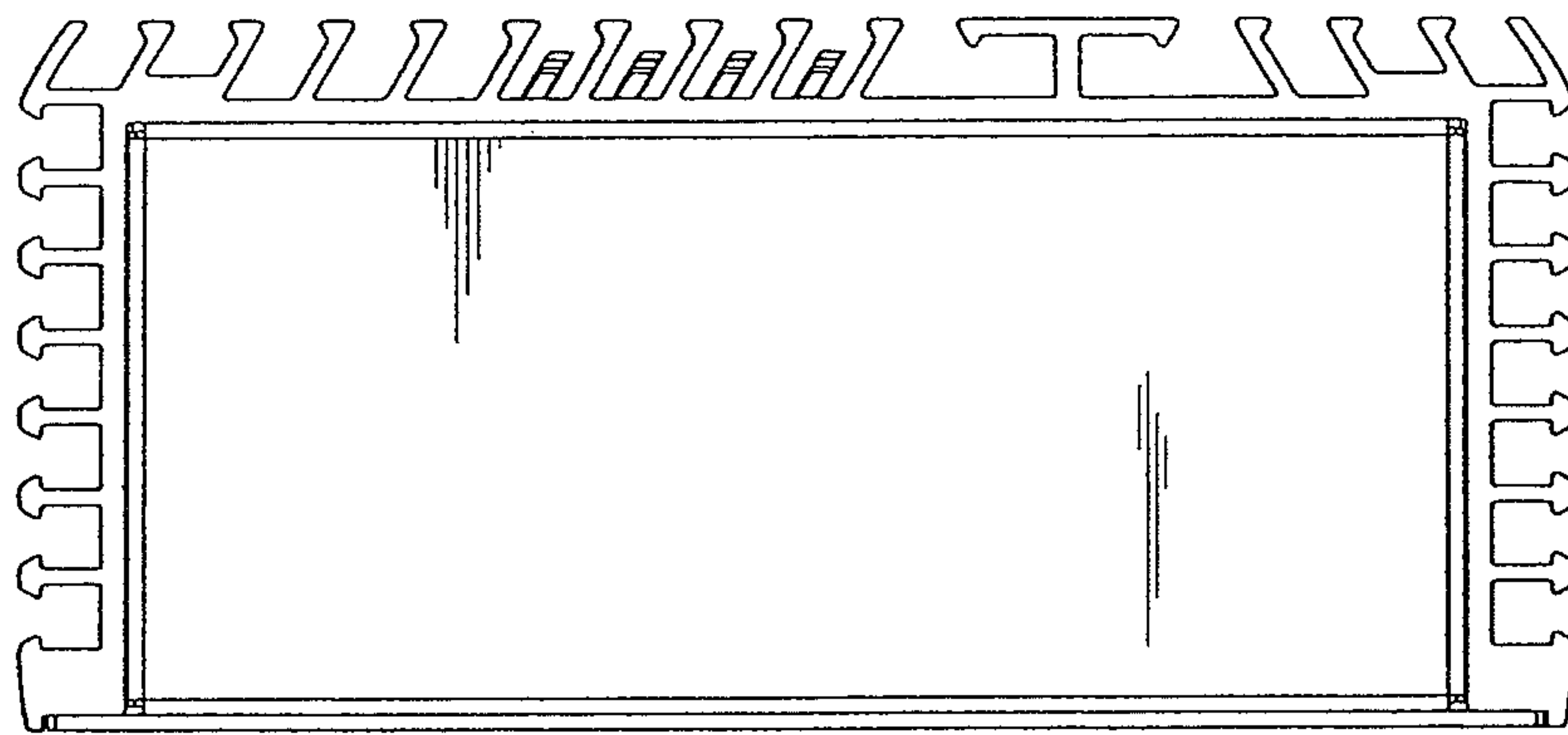


FIG. 2

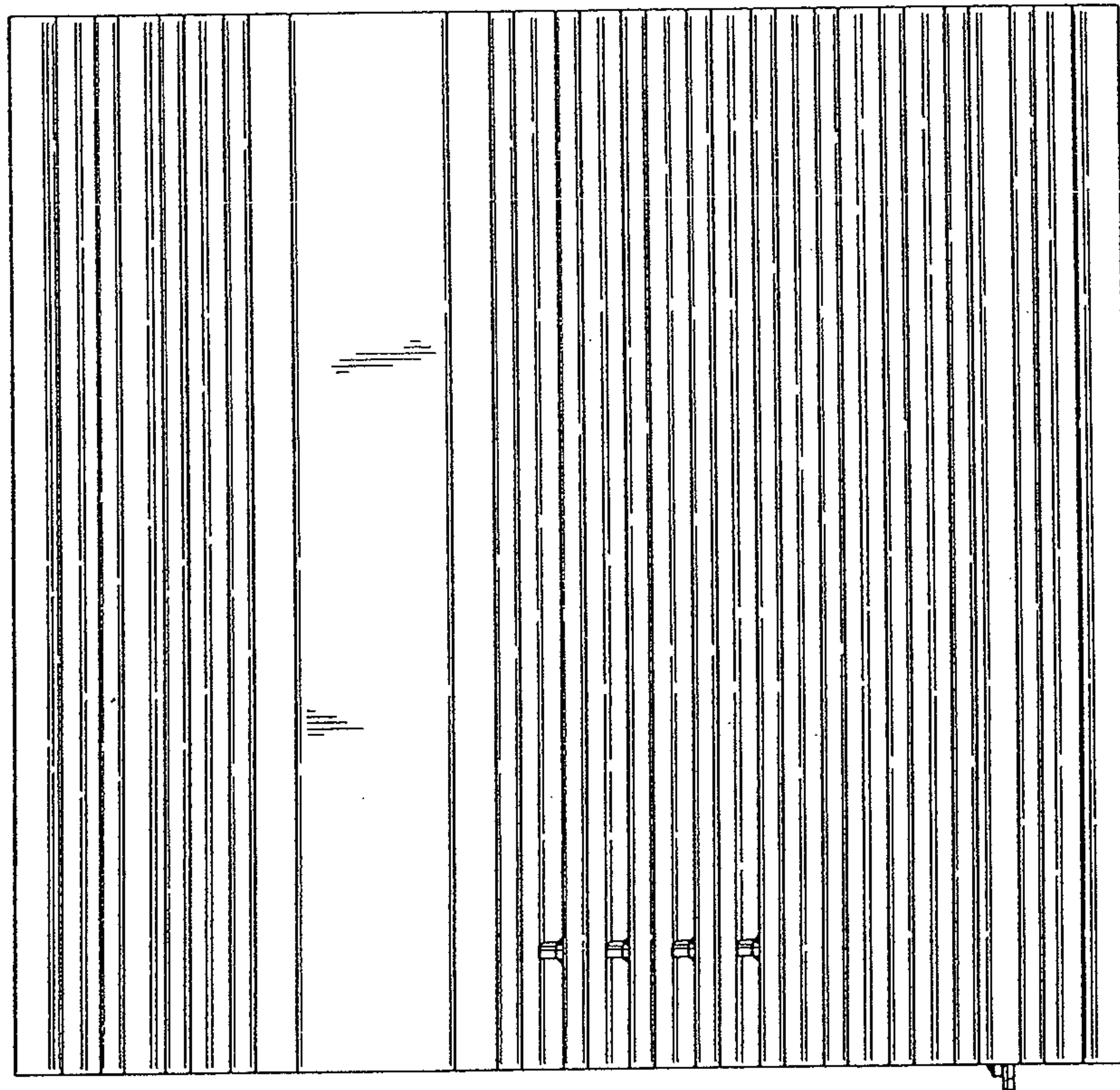


FIG. 3

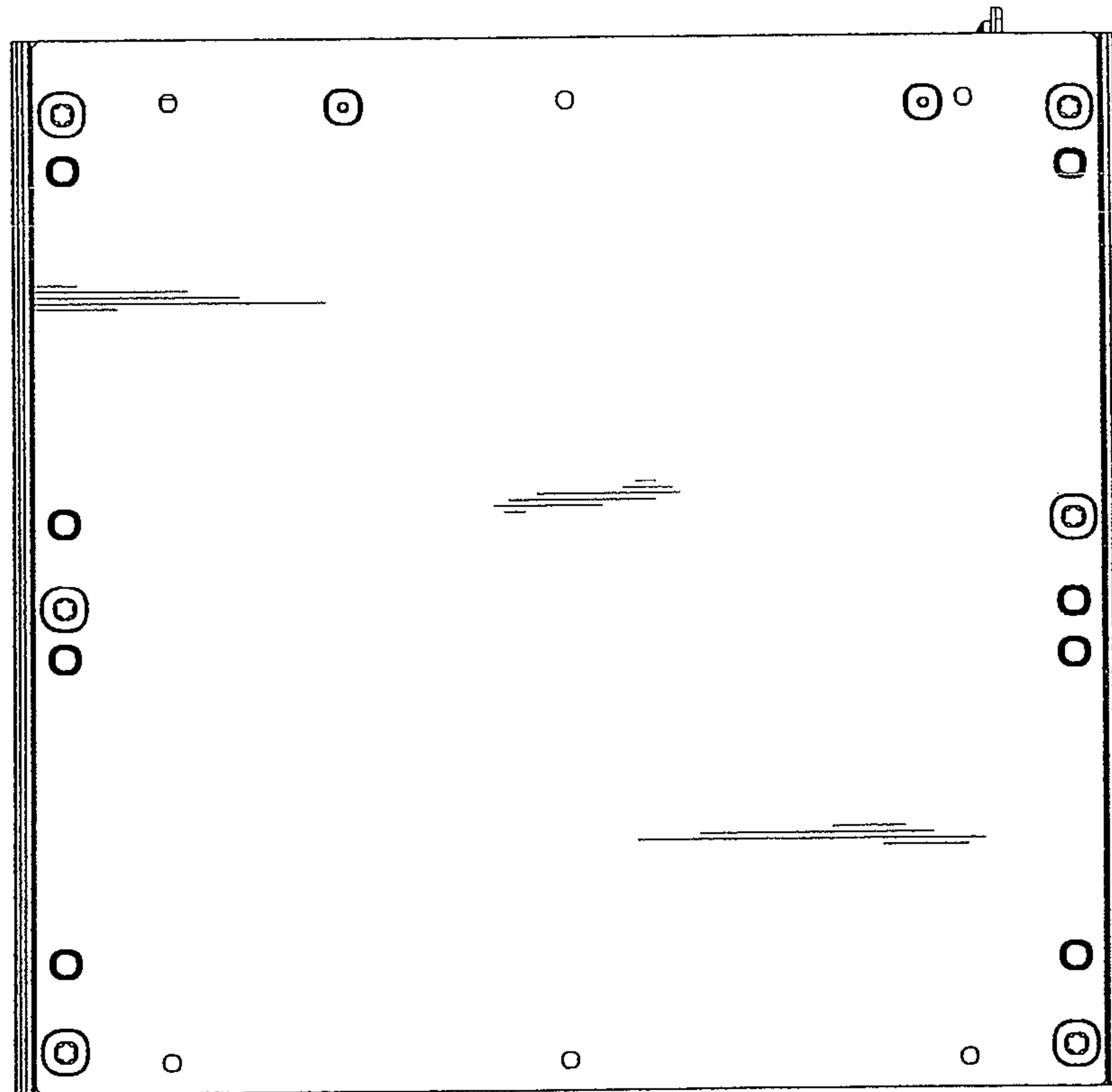


FIG. 4

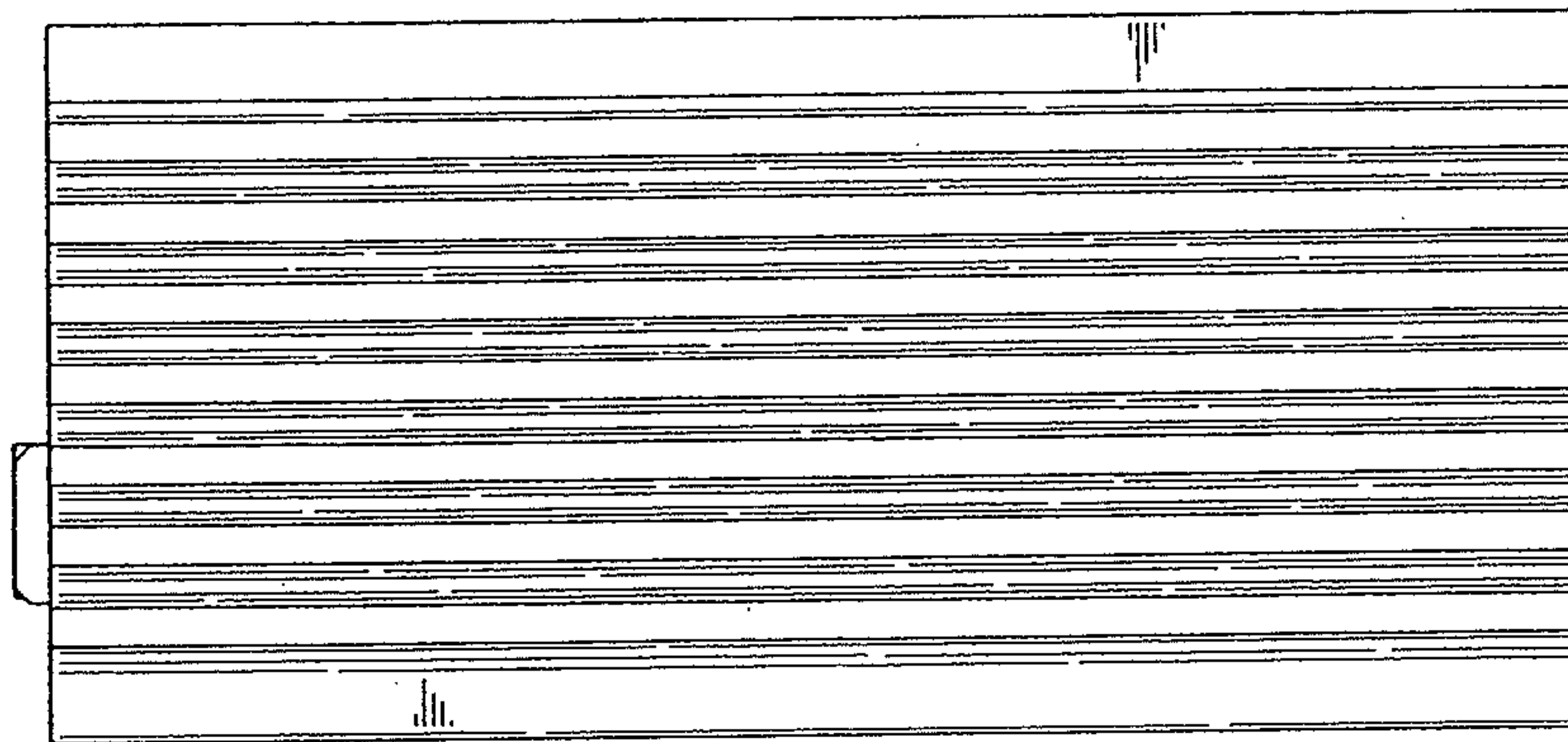


FIG. 5

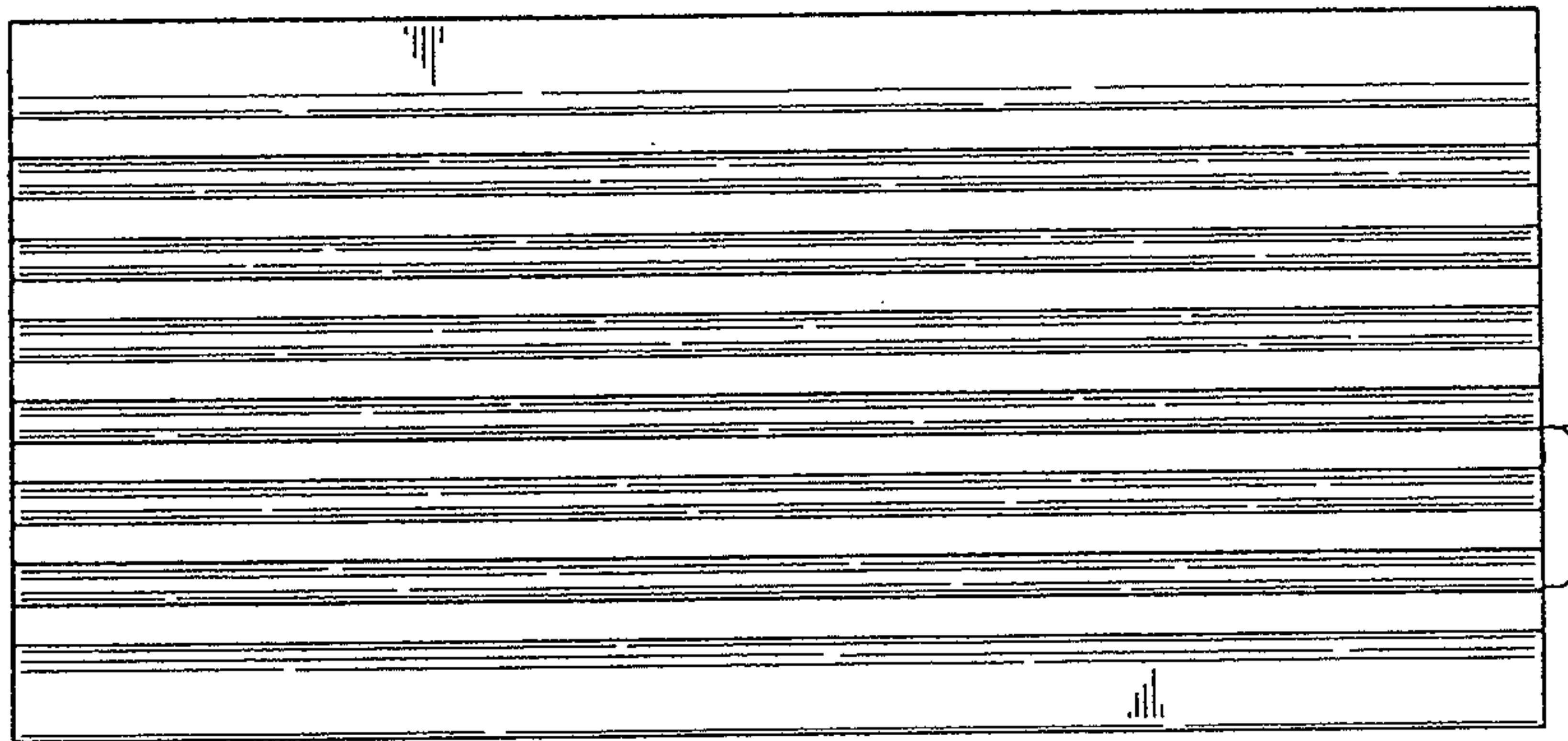


FIG. 6

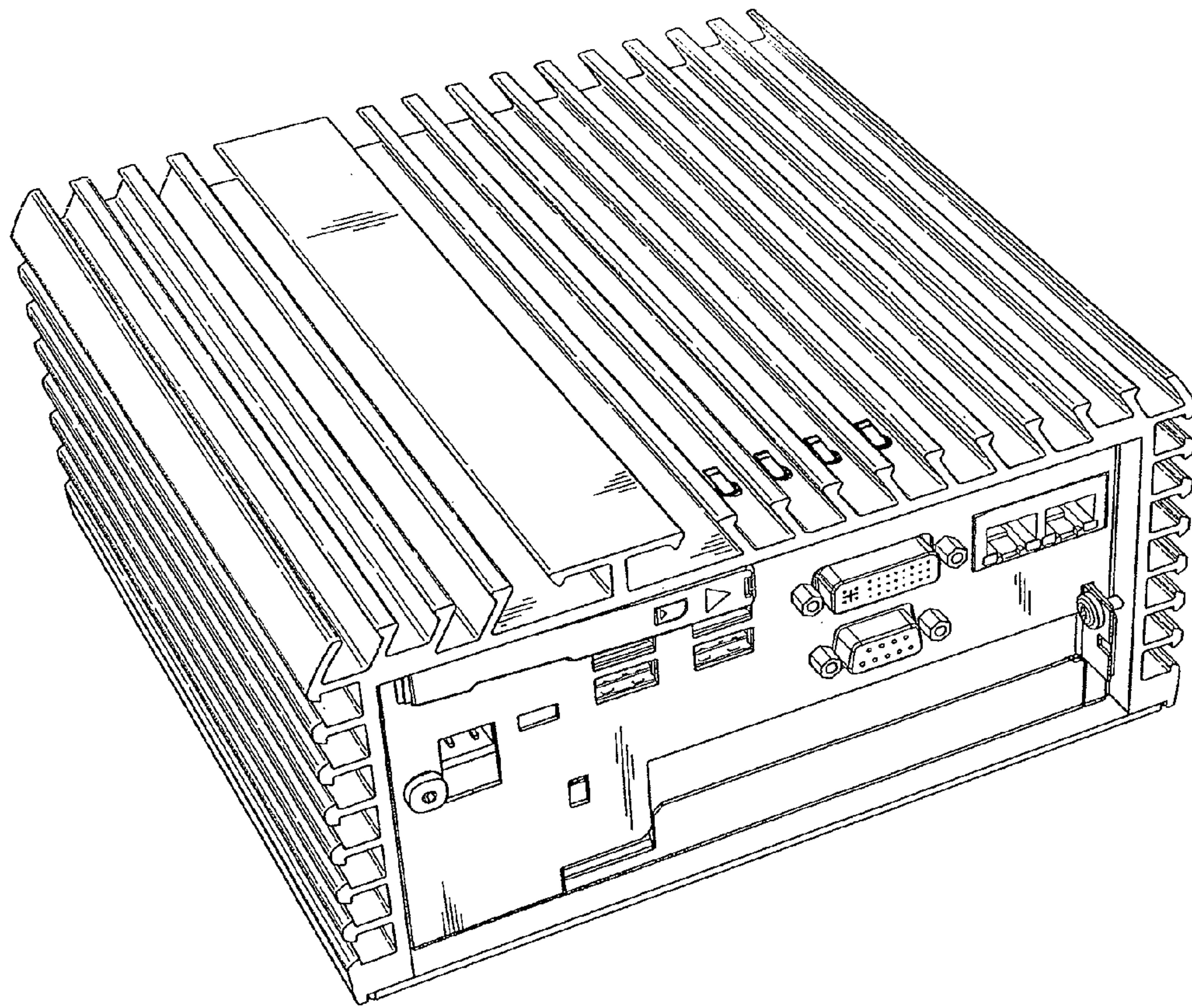


FIG. 7