



US00D684149S

(12) **United States Design Patent**  
**Chang et al.**

(10) **Patent No.:** **US D684,149 S**  
(45) **Date of Patent:** **\*\* Jun. 11, 2013**

(54) **CASE FOR ELECTRONIC DEVICE**

(71) Applicant: **Otter Products, LLC**, Fort Collins, CO (US)

(72) Inventors: **Tao-Wei Chang**, Arvada, CO (US);  
**Patrick Nelson**, Fort Collins, CO (US)

(73) Assignee: **Otter Products, LLC**, Fort Collins, CO (US)

(\*\*) Term: **14 Years**

(21) Appl. No.: **29/435,200**

(22) Filed: **Oct. 21, 2012**

(51) **LOC (9) Cl.** ..... **14-03**

(52) **U.S. Cl.**  
USPC ..... **D14/250**

(58) **Field of Classification Search**  
USPC ..... D14/250–253, 440, 203.3–203.7,  
D14/217, 496, 248, 238.1, 240, 447; D3/201,  
D3/218, 269, 301, 273, 303, 103, 247; D13/103,  
D13/107–108, 119; 220/4.02; 248/309.1,  
248/371, 176.3, 668; 361/679.56, 679.3,  
361/679.25, 816; 379/426, 433.11, 455;  
455/575.1, 575.8; 206/305, 320; 345/173  
See application file for complete search history.

(56) **References Cited**

U.S. PATENT DOCUMENTS

D391,537 S *	3/1998	Maxwell	.....	D12/583
D401,040 S *	11/1998	Schneider	.....	D2/951
D419,768 S *	2/2000	Richardson et al.	.....	D3/273
D422,787 S *	4/2000	Feng	.....	D3/273
D543,700 S *	6/2007	Parker et al.	.....	D3/294
D556,750 S *	12/2007	Fitch et al.	.....	D14/346
D597,046 S *	7/2009	Millora	.....	D14/138 AA

D618,161 S *	6/2010	Xu	.....	D12/566
D618,196 S *	6/2010	Bang et al.	.....	D14/138 AA
D623,652 S *	9/2010	Hsu	.....	D14/439
D630,420 S *	1/2011	Truelsen	.....	D2/951
7,886,903 B1 *	2/2011	Wurzelbacher et al.	.....	206/320
D638,006 S *	5/2011	Chang	.....	D14/250
D638,007 S *	5/2011	Chang	.....	D14/250
D641,354 S *	7/2011	Hsu	.....	D14/341
D662,925 S *	7/2012	Mayberry et al.	.....	D14/250
D668,245 S *	10/2012	Bau	.....	D14/250
D673,552 S *	1/2013	Weller et al.	.....	D14/250
D673,553 S *	1/2013	Weller et al.	.....	D14/250
D674,792 S *	1/2013	Magness	.....	D14/250

OTHER PUBLICATIONS

Review of Otterbox Prefix Case for Samsung i9300 Galaxy S III, published Nov. 23, 2012, <URL:http://www.youtube.com/watch?v=wfbLfSuzQio>, retrieved from internet on Jan. 28, 2013.\*

\* cited by examiner

*Primary Examiner* — Carla Jobe Wright

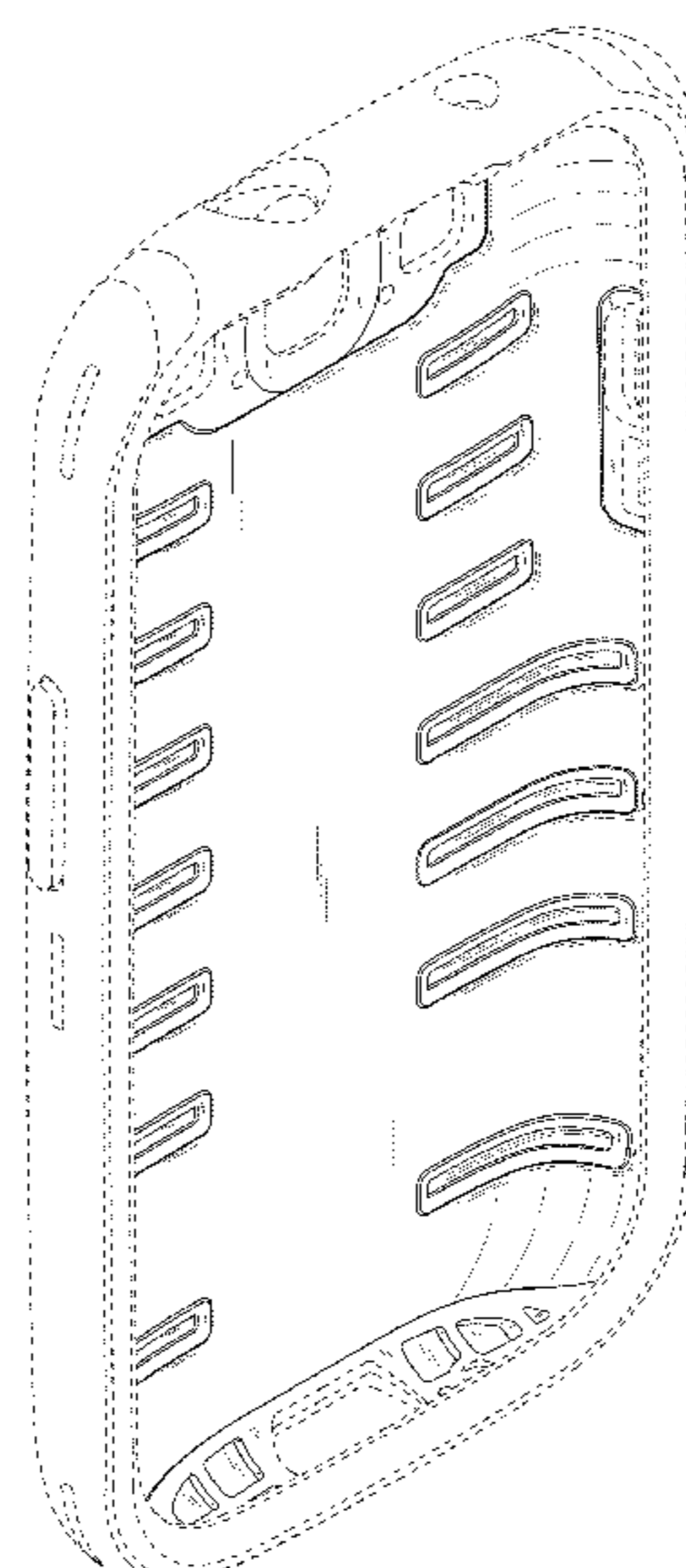
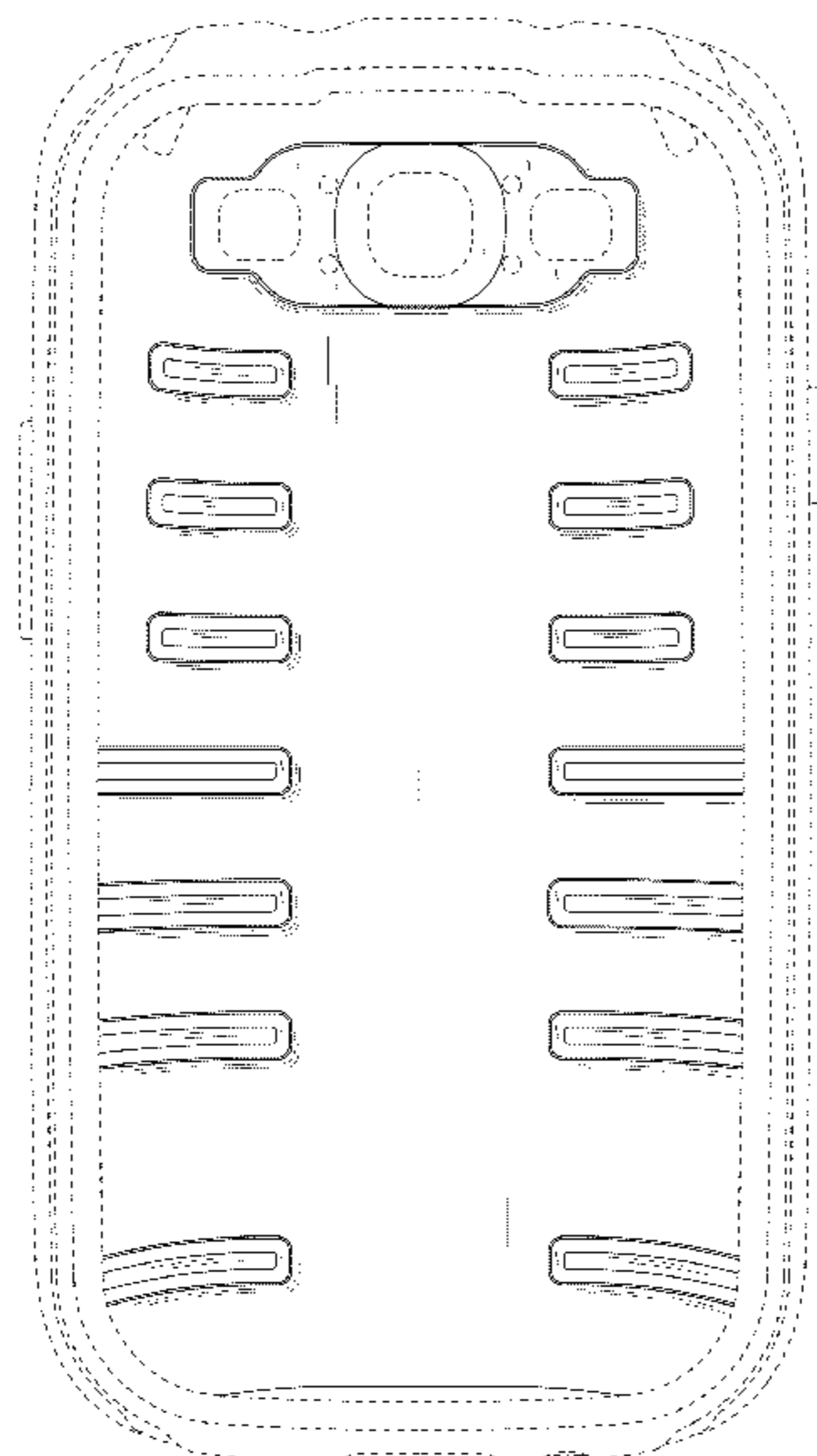
(57) **CLAIM**

The ornamental design for a case for electronic device, as shown and described.

**DESCRIPTION**

FIG. 1 is a first front isometric view of a case for electronic device showing our new design; FIG. 2 is a front view thereof; FIG. 3 is a second front isometric view thereof; and, FIG. 4 is a rear isometric view thereof. The broken lines that touch the interior shaded surfaces represent boundaries of the claimed design. All other broken lines depict unclaimed environment. The broken lines and unshaded regions bounded by broken lines form no part of the claimed design.

**1 Claim, 4 Drawing Sheets**



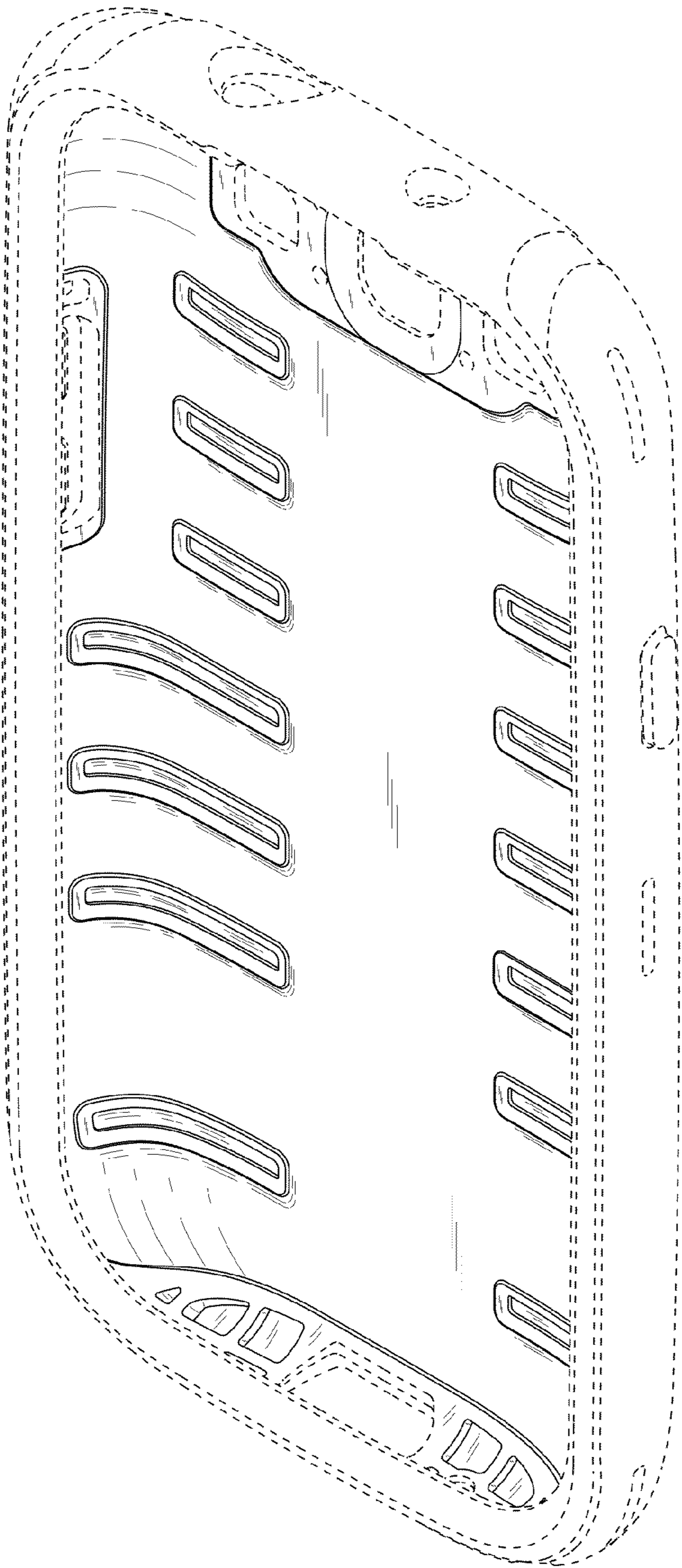


FIG. 1

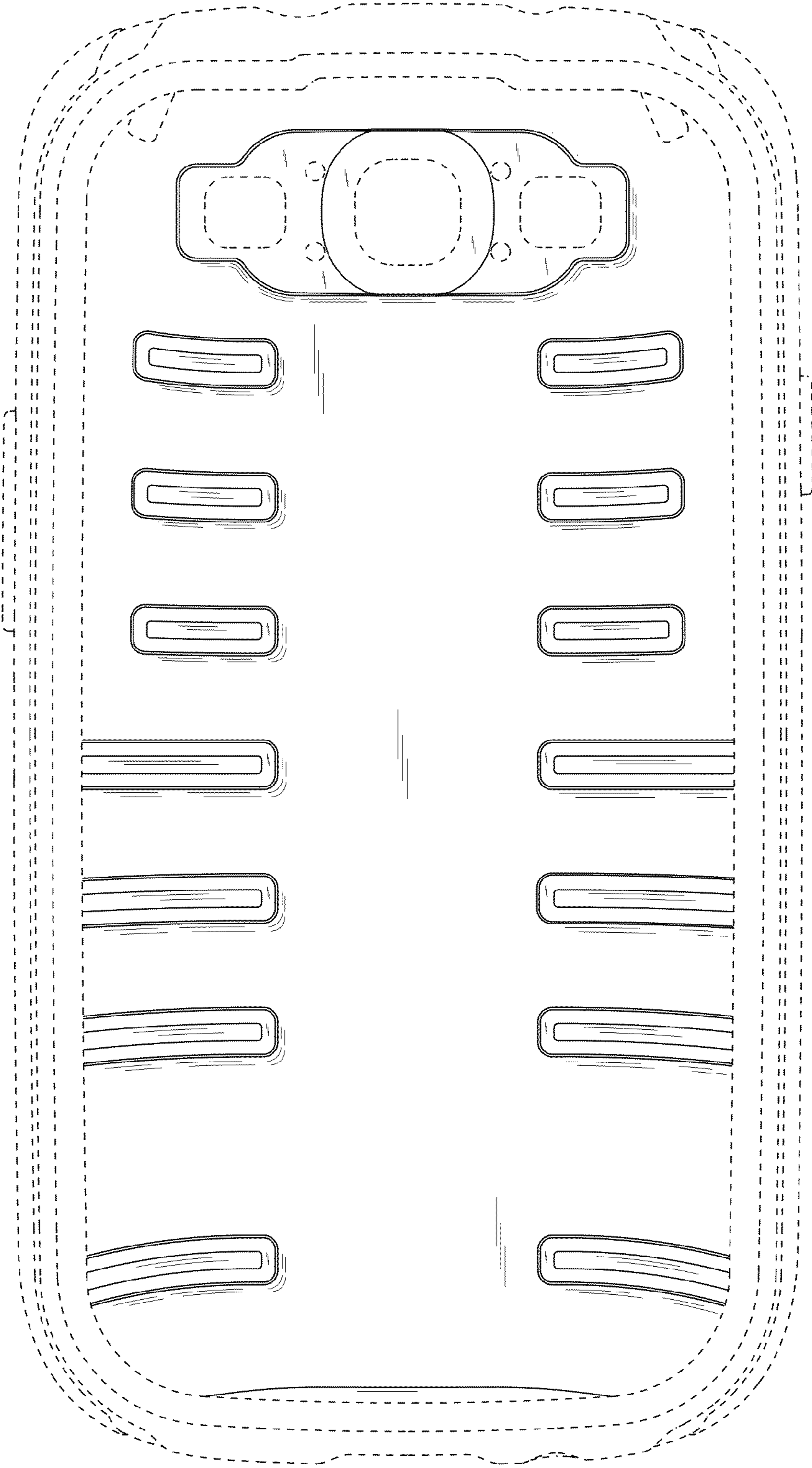


FIG. 2

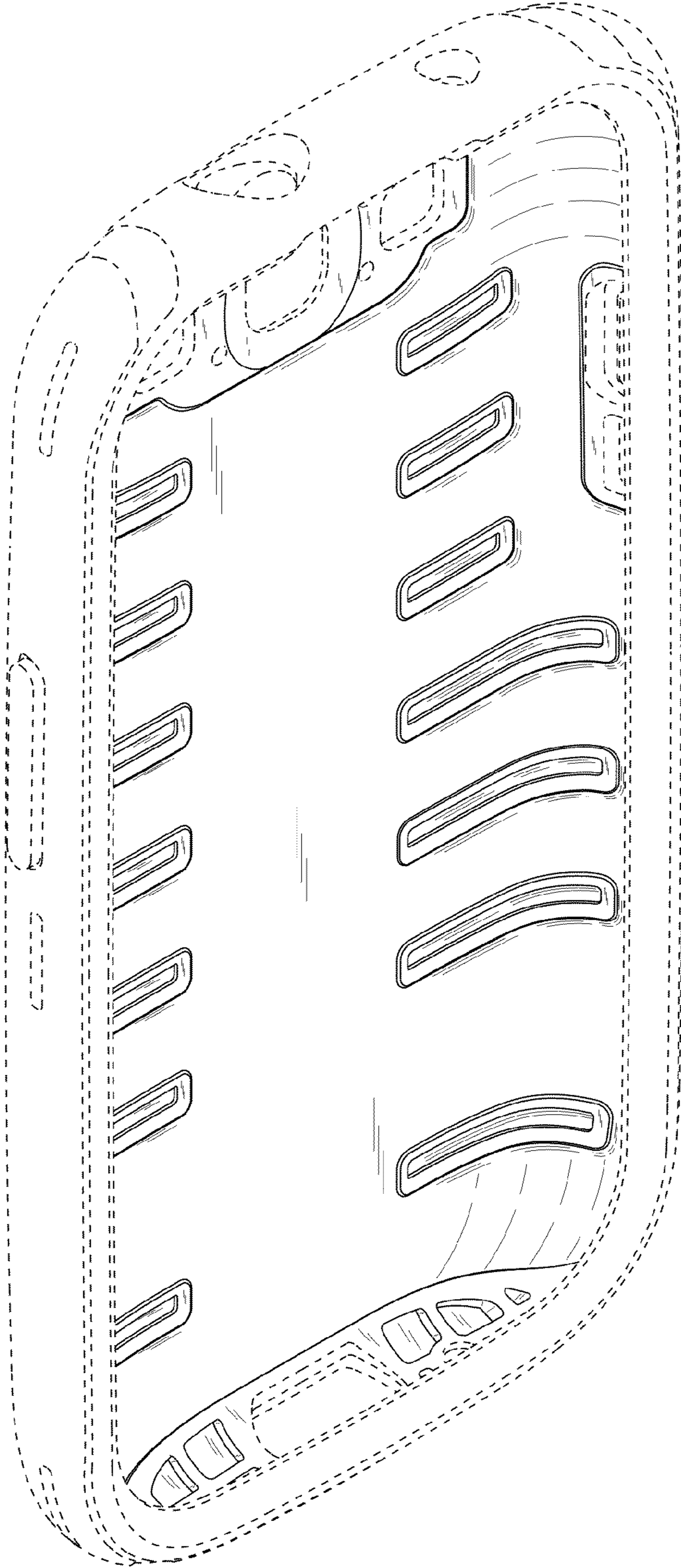


FIG. 3

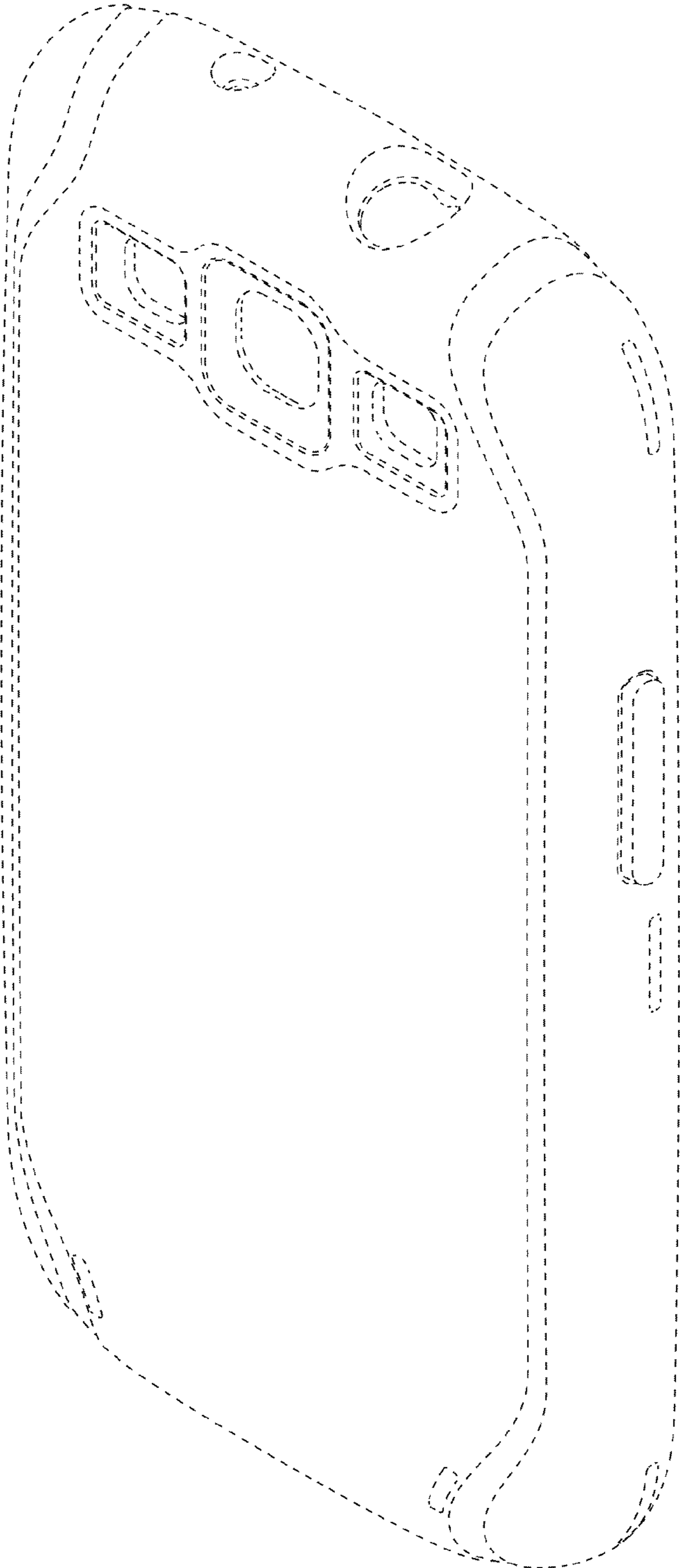


FIG. 4