



US00D684145S

(12) **United States Design Patent**
Rath

(10) **Patent No.:** **US D684,145 S**
(45) **Date of Patent:** **** Jun. 11, 2013**

(54) **BASE FOR A HEADSET**

(75) Inventor: **Klaus Rath, København Ø (DK)**

(73) Assignee: **GN Netcom A/S (DK)**

(**) Term: **14 Years**

(21) Appl. No.: **29/413,968**

(22) Filed: **Feb. 23, 2012**

(30) **Foreign Application Priority Data**

Aug. 24, 2011 (EM) 001907783-0001
Aug. 24, 2011 (EM) 001907783-0002

(51) **LOC (9) Cl.** **14-01**

(52) **U.S. Cl.**
USPC **D14/224; D14/206**

(58) **Field of Classification Search**
USPC D14/205, 206, 223, 224, 240, 434,
D14/192; 181/129, 130, 135; 379/430, 431;
381/380, 381; 455/90.3, 575.1
See application file for complete search history.

(56) **References Cited**

U.S. PATENT DOCUMENTS

4,571,746	A *	2/1986	Gorike	2/209
4,597,469	A *	7/1986	Nagashima	181/129
D305,759	S *	1/1990	Balbuena	D14/147
5,095,382	A *	3/1992	Abe	398/202
D339,803	S *	9/1993	Ditzig et al.	D14/147
D346,802	S *	5/1994	Sacherman et al.	D14/206
D387,784	S *	12/1997	Nakamura	D14/224
6,154,539	A *	11/2000	Pitel	379/430
D436,348	S	1/2001	McGugan		
D463,398	S *	9/2002	Rath	D14/206
6,443,343	B2 *	9/2002	Kamiya	224/269
D463,783	S	10/2002	Rath		
D482,674	S *	11/2003	Rath et al.	D14/206
D486,492	S *	2/2004	Sheu et al.	D14/434
D494,154	S *	8/2004	Polito	D14/206
D494,957	S	8/2004	Rath		

D496,029	S *	9/2004	Skulley et al.	D14/224
D500,022	S *	12/2004	Rath et al.	D14/206
D508,908	S *	8/2005	Chueh	D14/205
6,980,666	B1 *	12/2005	Owen	381/371
D518,477	S *	4/2006	Chen	D14/223
D523,412	S *	6/2006	Ham	D14/149
D535,285	S *	1/2007	Skulley	D14/205
D540,816	S *	4/2007	Kim	D14/496
D564,501	S *	3/2008	Rath	D14/224
D566,697	S *	4/2008	Nielsen et al.	D14/224
D587,684	S *	3/2009	Ham et al.	D14/205

(Continued)

Primary Examiner — Paula Greene

(74) *Attorney, Agent, or Firm* — Altera Law Group, LLC

(57) **CLAIM**

The ornamental design for a base for a headset, as shown and described.

DESCRIPTION

FIG. 1 is a perspective view for a base for a headset showing my new design, the headset is shown separately for purposes of illustration.

FIG. 2 is a back view thereof.

FIG. 3 is the front view thereof.

FIG. 4 is a top view thereof.

FIG. 5 is a bottom view thereof.

FIG. 6 is a side view thereof.

FIG. 7 is the other side view thereof.

FIG. 8 is a perspective view thereof, with the base shown separately for purposes of illustration.

FIG. 9 is a front view thereof.

FIG. 10 is a back view thereof.

FIG. 11 is a top view thereof.

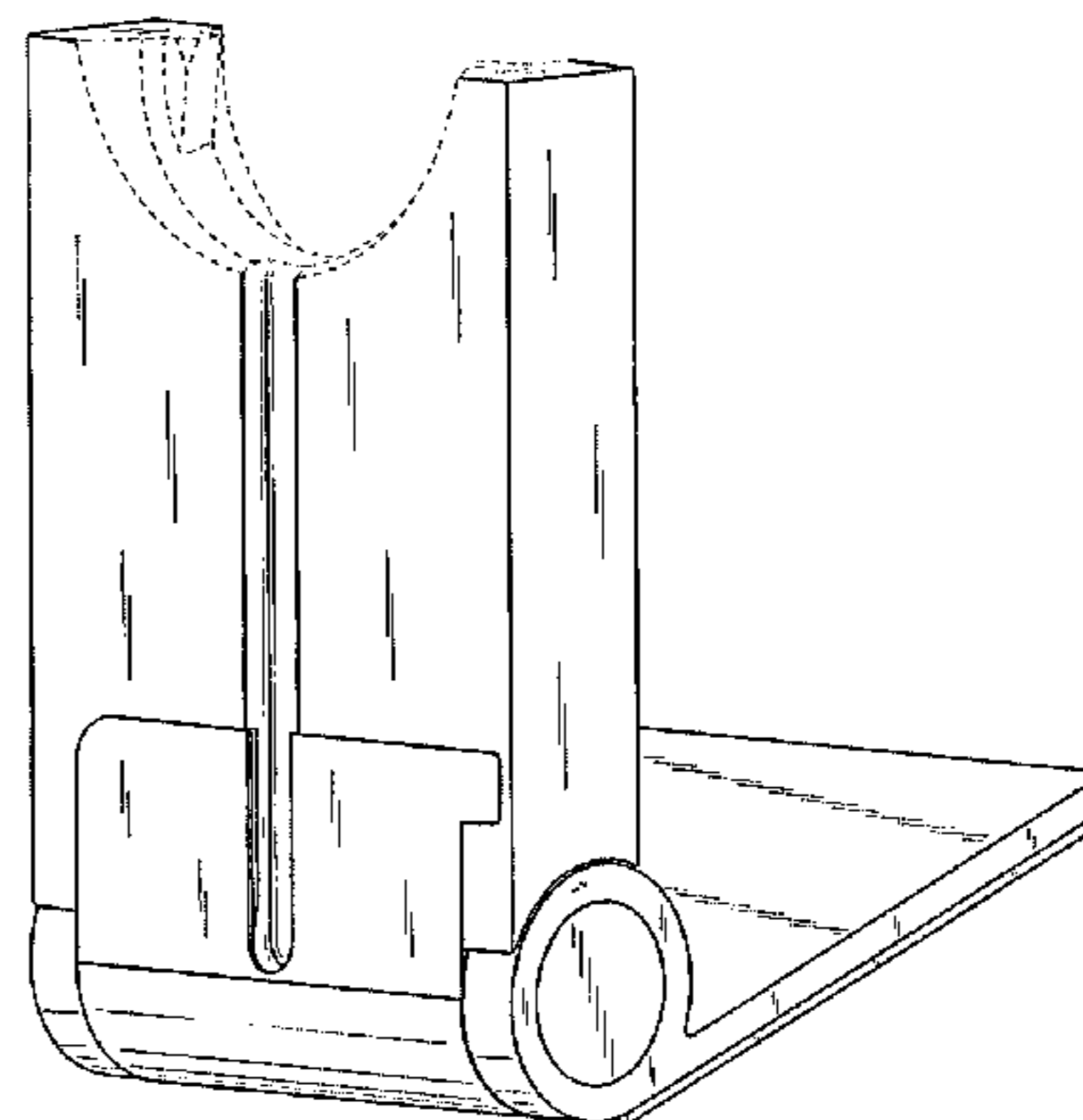
FIG. 12 is a bottom view thereof.

FIG. 13 is a side view thereof; and,

FIG. 14 is front view of the headset positioned in the base thereof.

The broken lines form no part of the claimed design.

1 Claim, 9 Drawing Sheets



US D684,145 S

Page 2

U.S. PATENT DOCUMENTS

D589,031 S *	3/2009	Bentley et al.	D14/224	D606,545 S *	12/2009	Salmon	D14/434
D593,998 S *	6/2009	Bentley et al.	D14/224	D628,189 S	11/2010	Rath	
D597,939 S *	8/2009	Tkachuk	D13/108	D638,000 S *	5/2011	Hoggarth	D14/206
D599,331 S *	9/2009	Bentley et al.	D14/224	8,061,473 B1 *	11/2011	Kerr	181/135
D602,001 S *	10/2009	Bentley	D14/206	D662,089 S *	6/2012	Gougherty et al.	D14/224
D602,008 S *	10/2009	Bentley et al.	D14/224	D669,888 S *	10/2012	Gougherty et al.	D14/224

* cited by examiner



Fig. 1

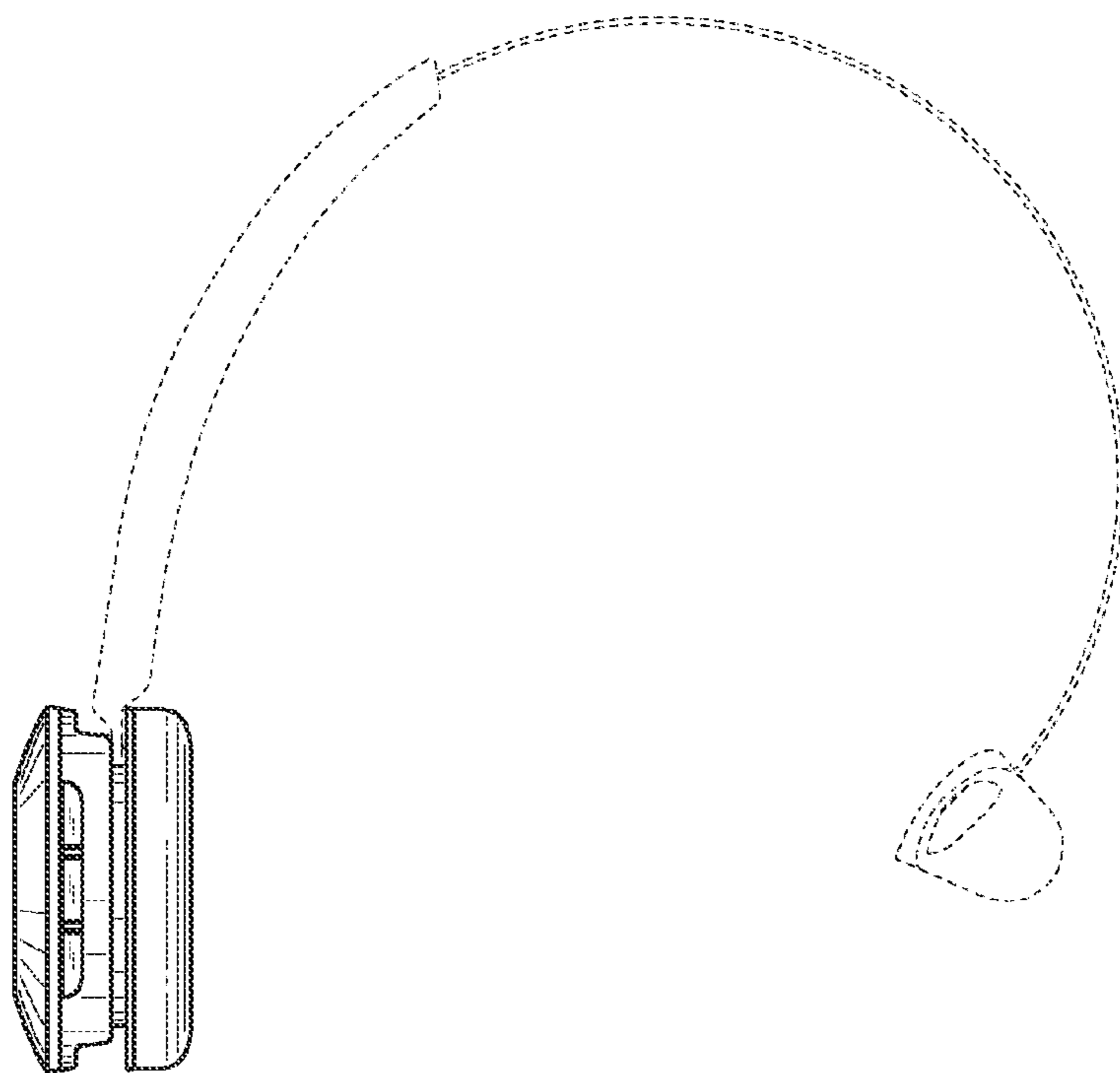


Fig. 2

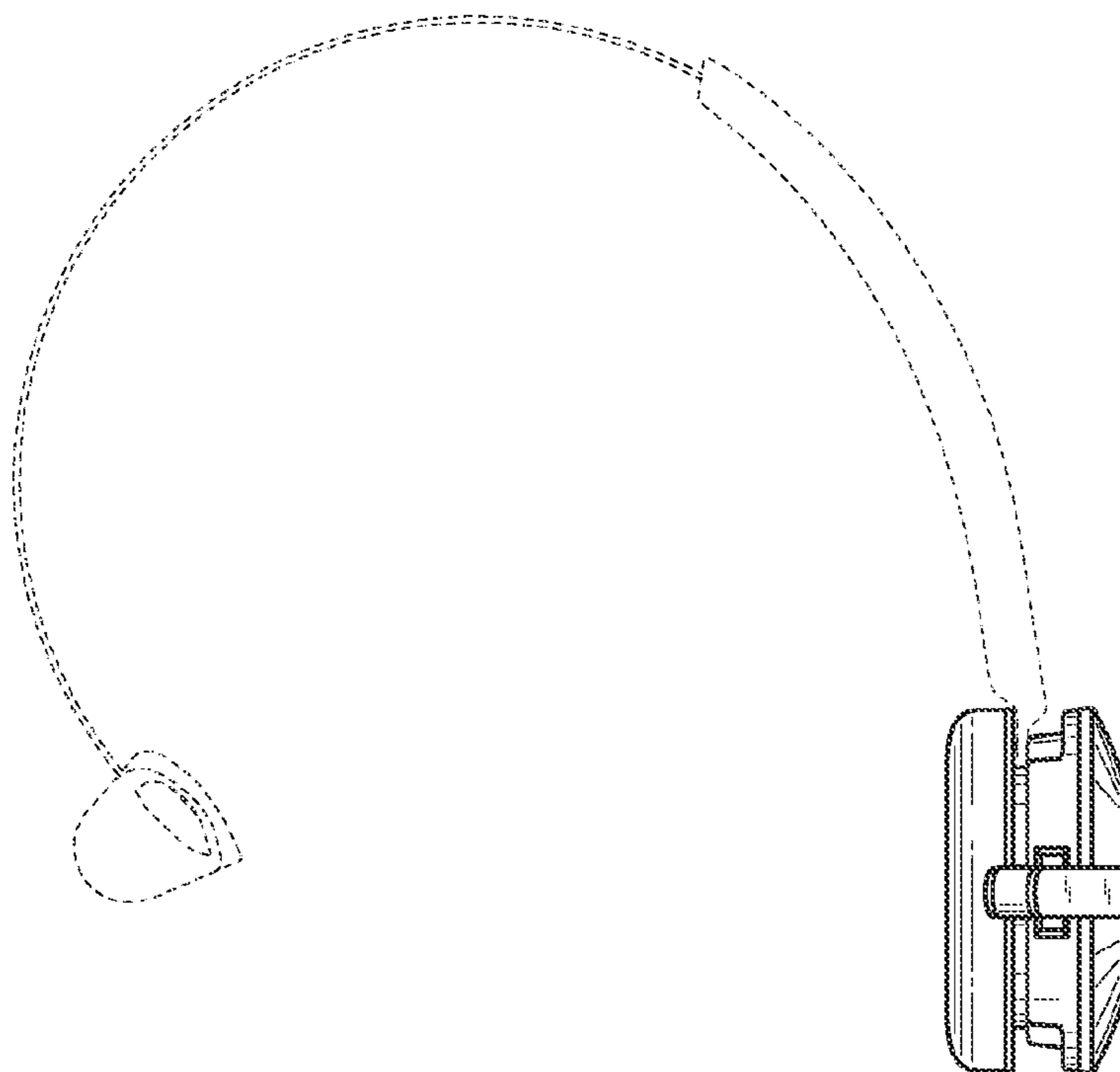


Fig. 3

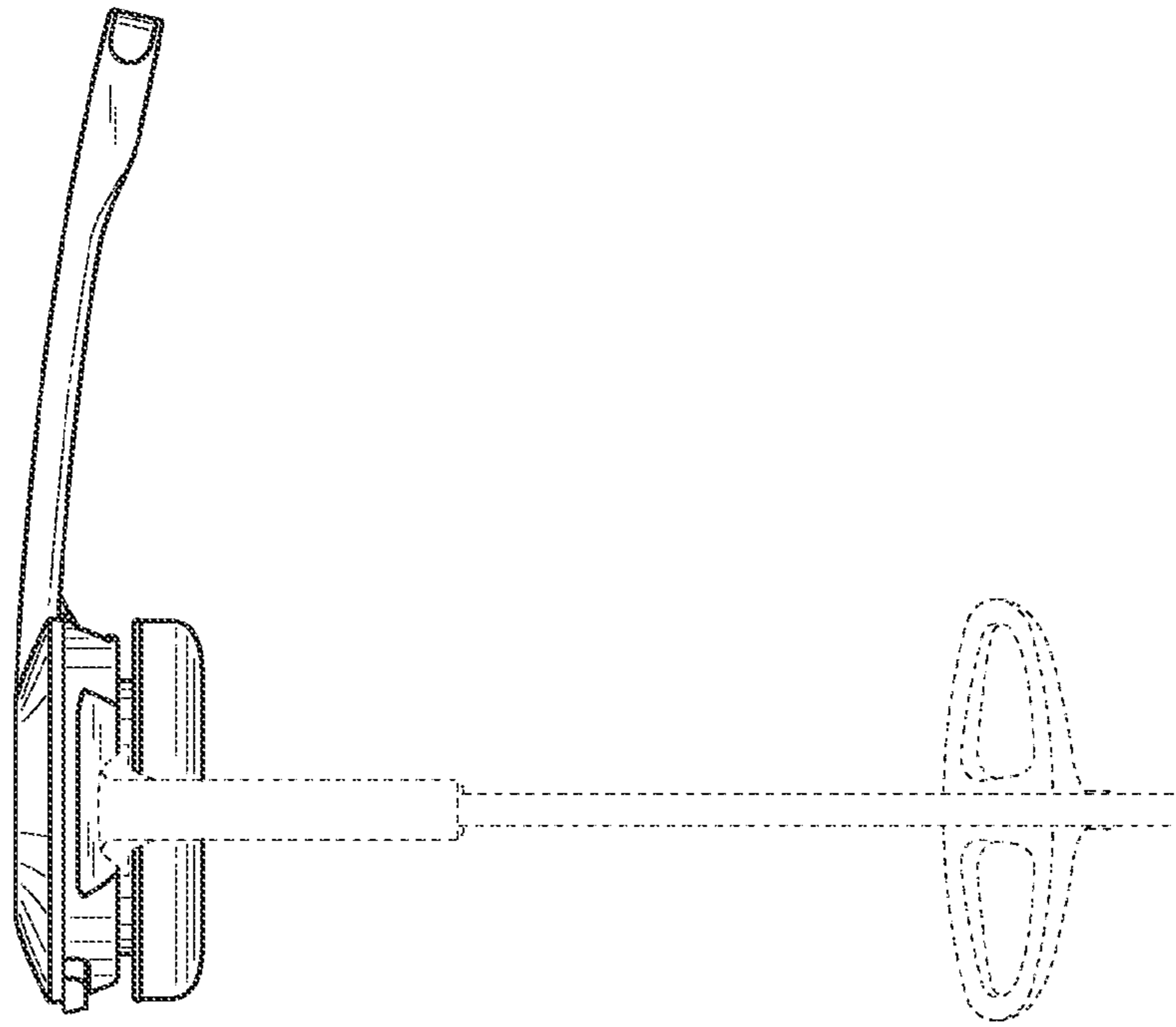


Fig. 4

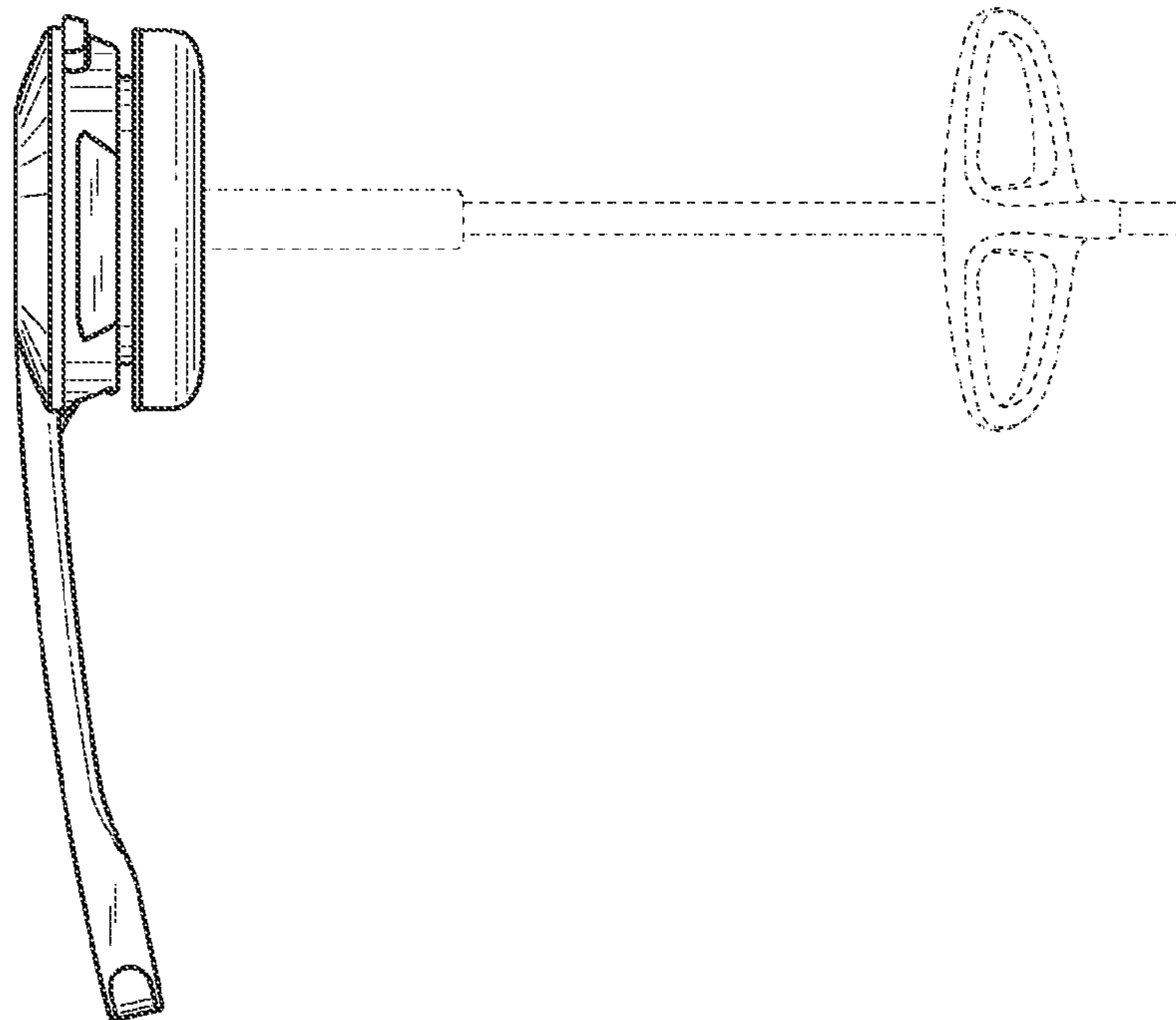


Fig. 5

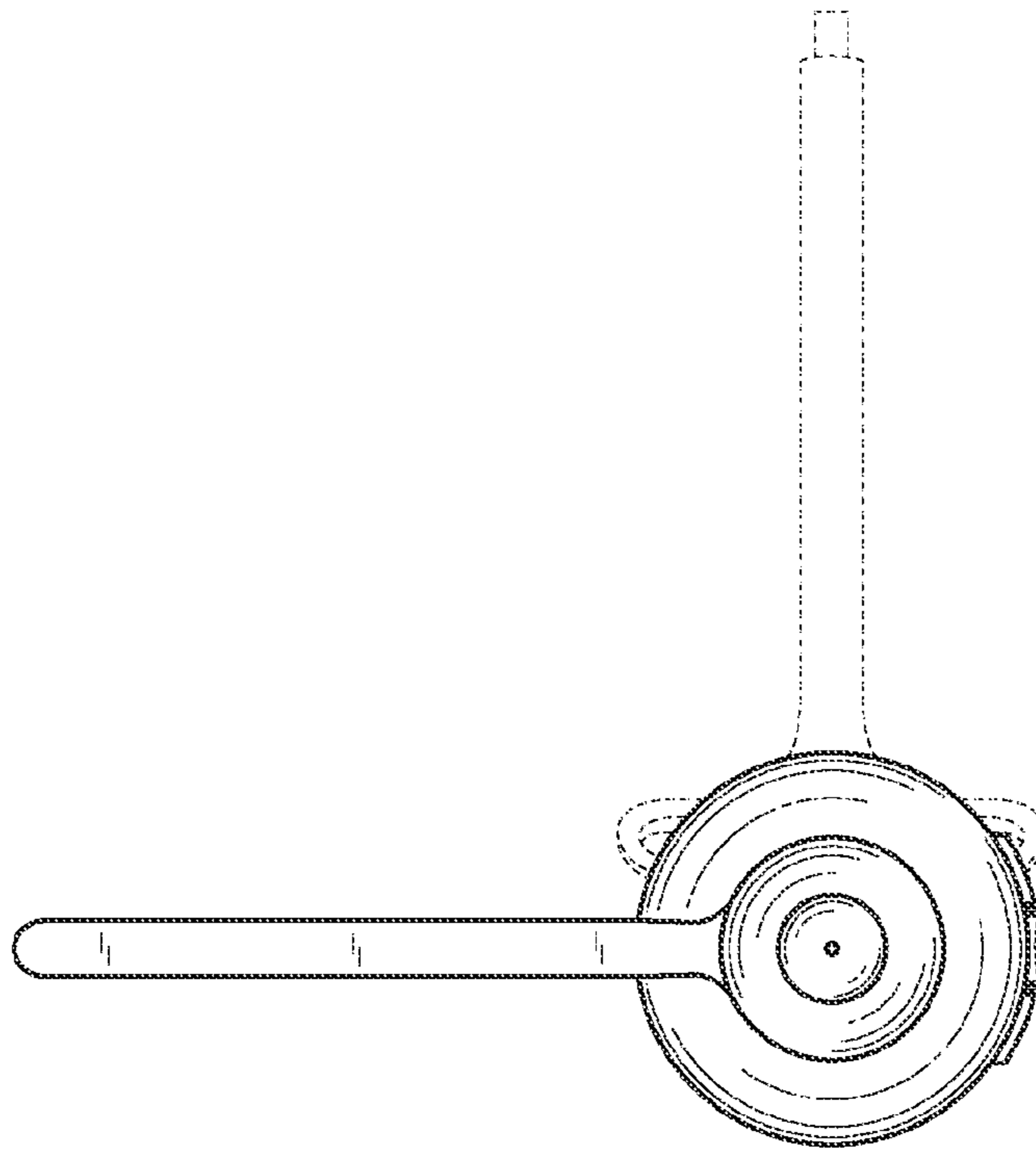


Fig. 6

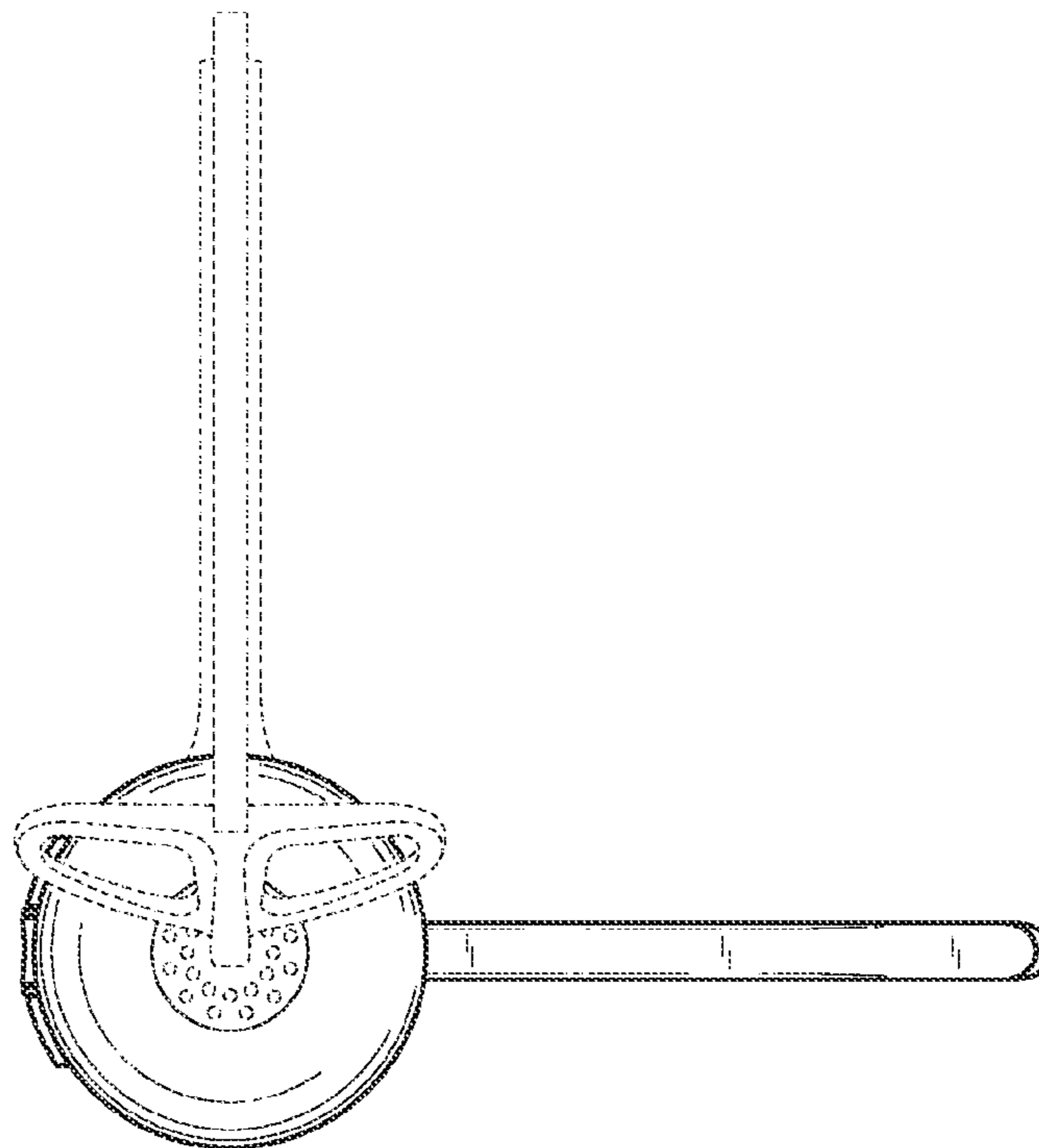


Fig. 7

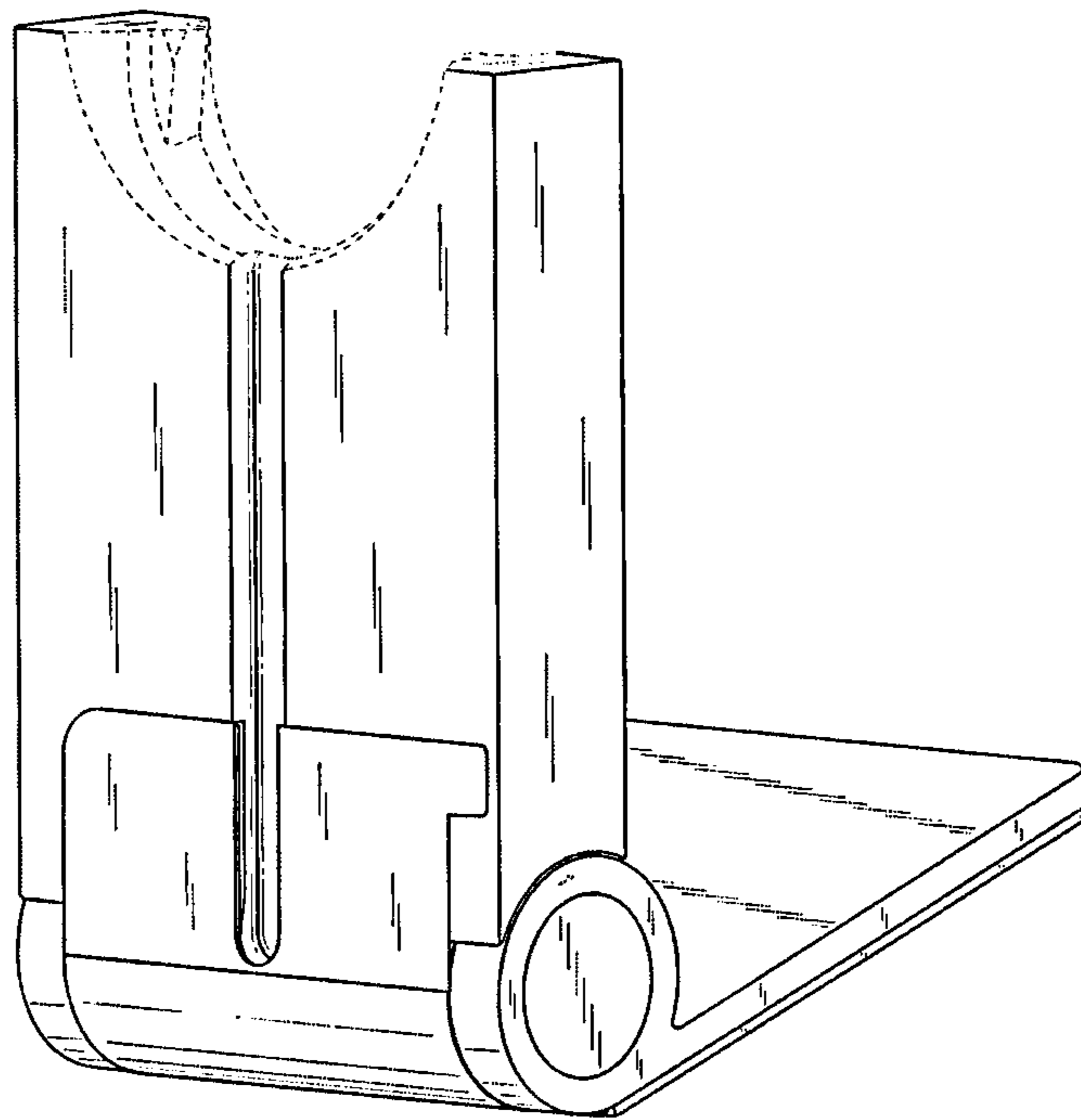


Fig. 8

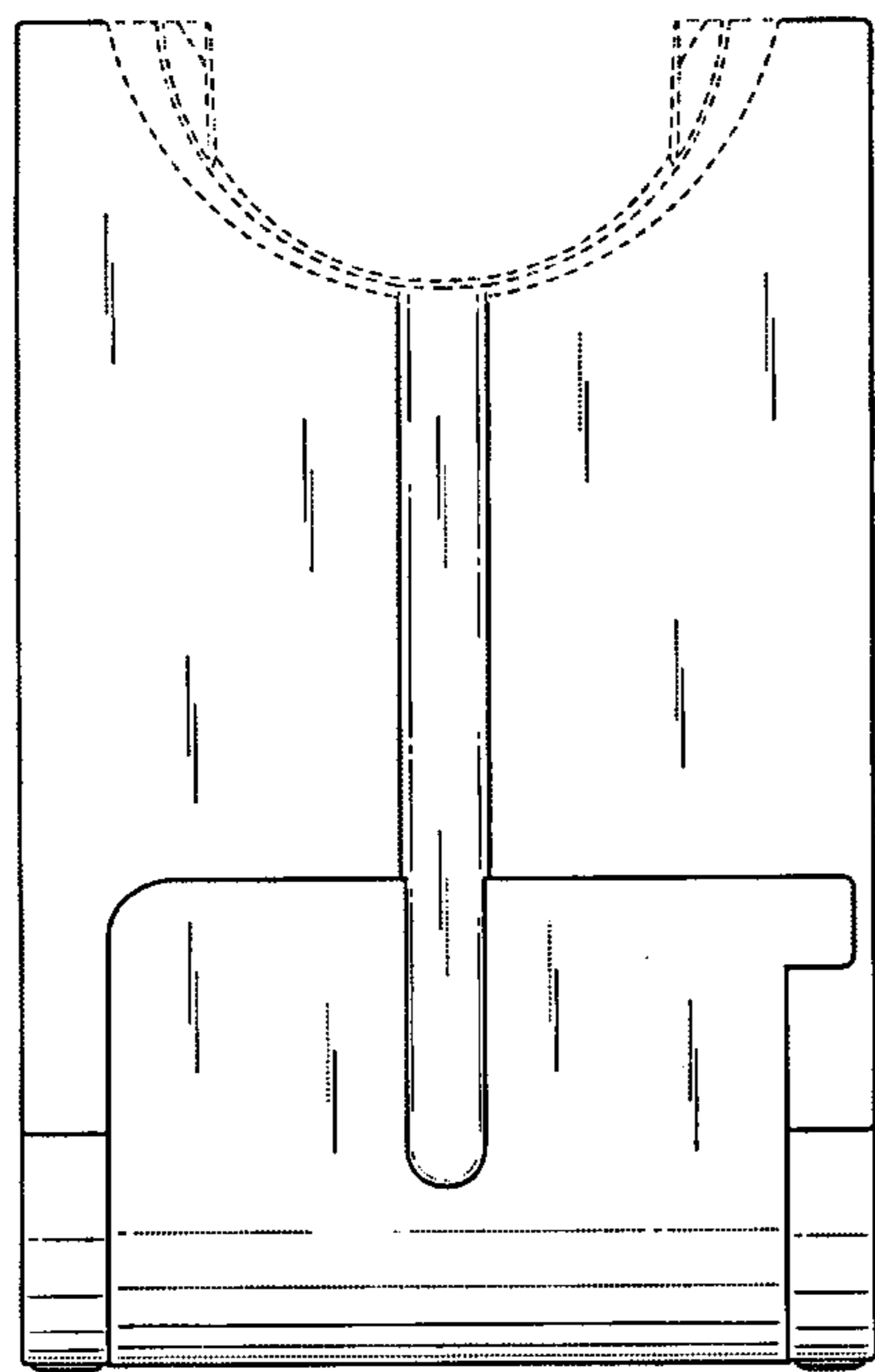


Fig. 9

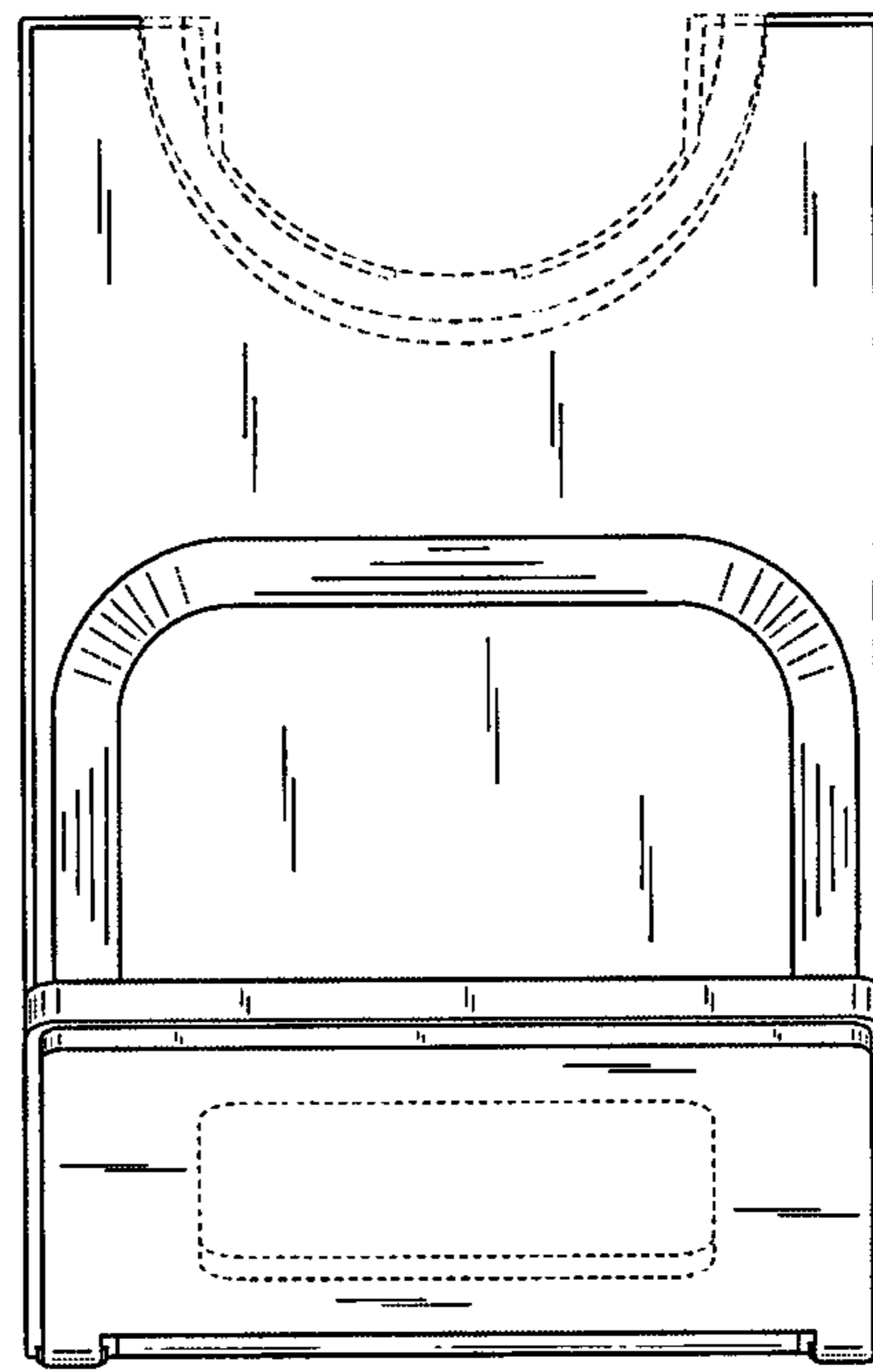


Fig. 10

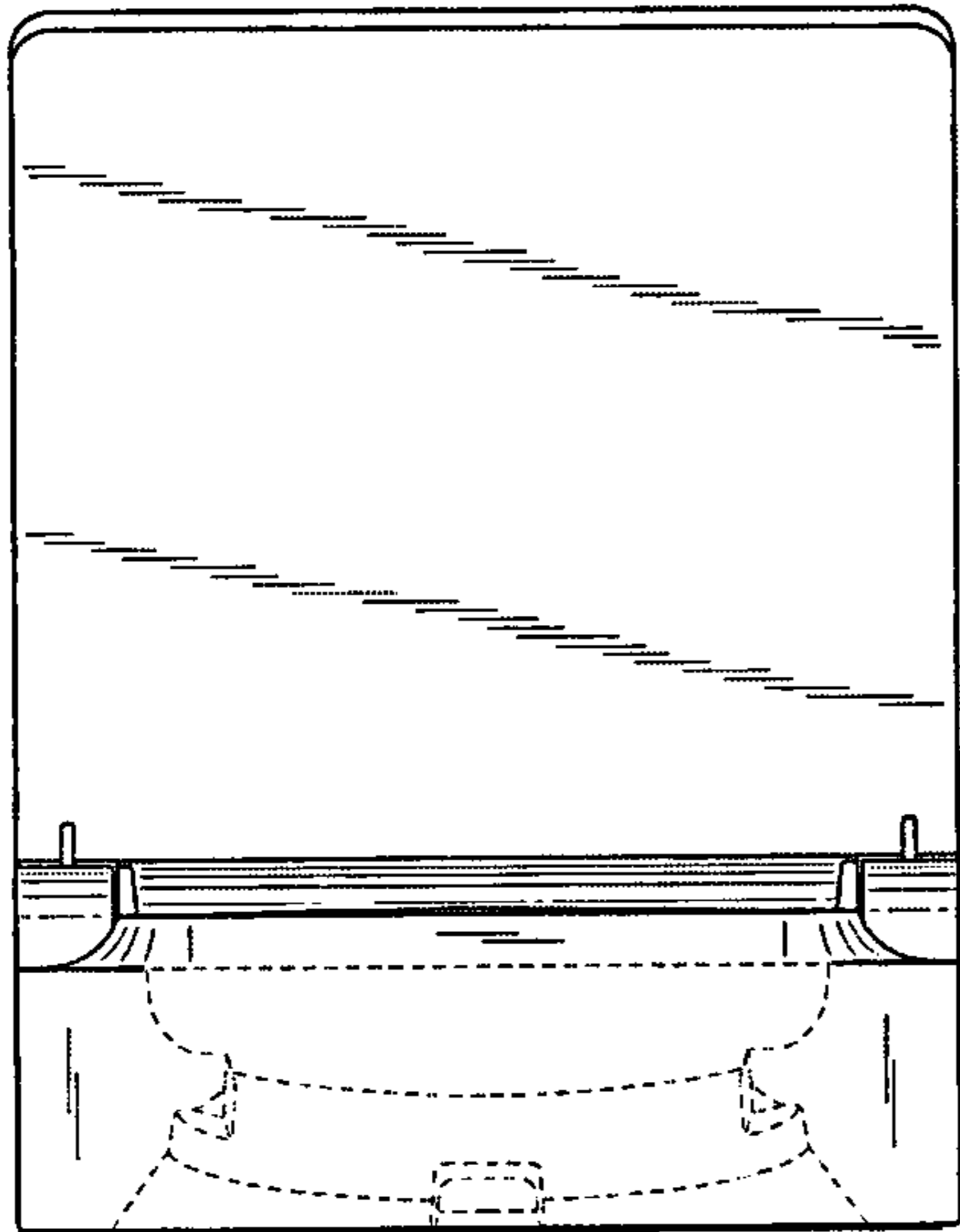


Fig. 11

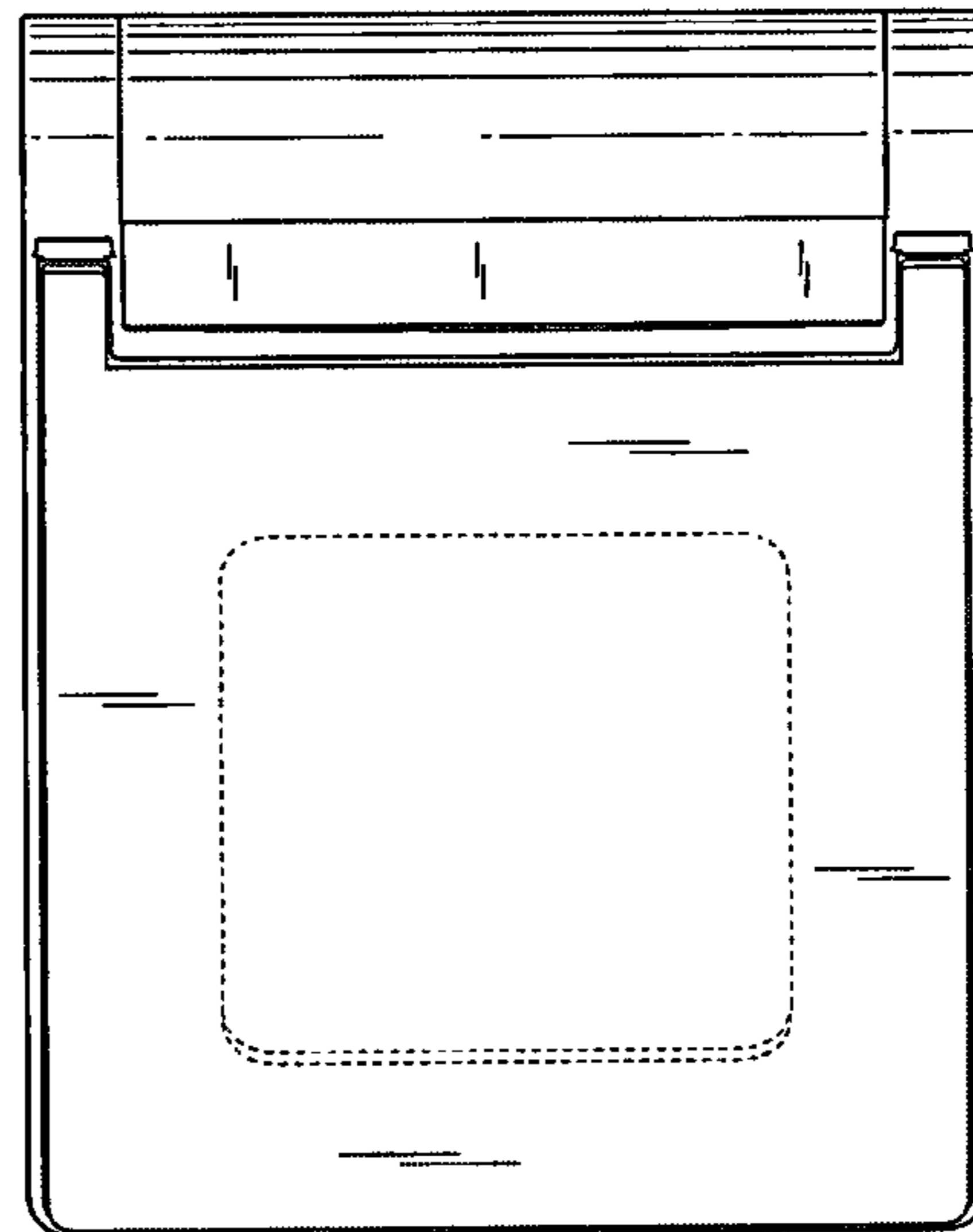


Fig. 12

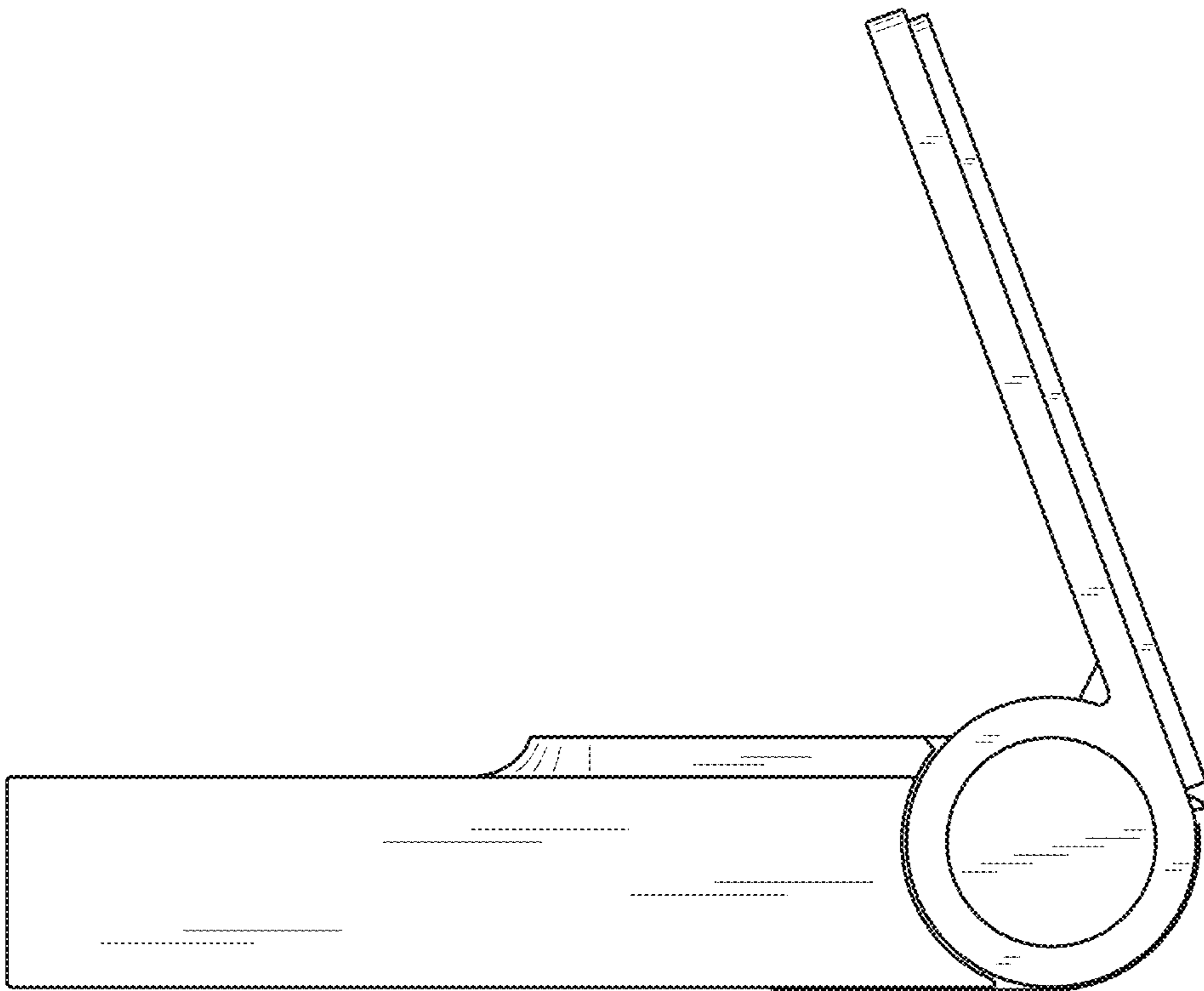


Fig. 13

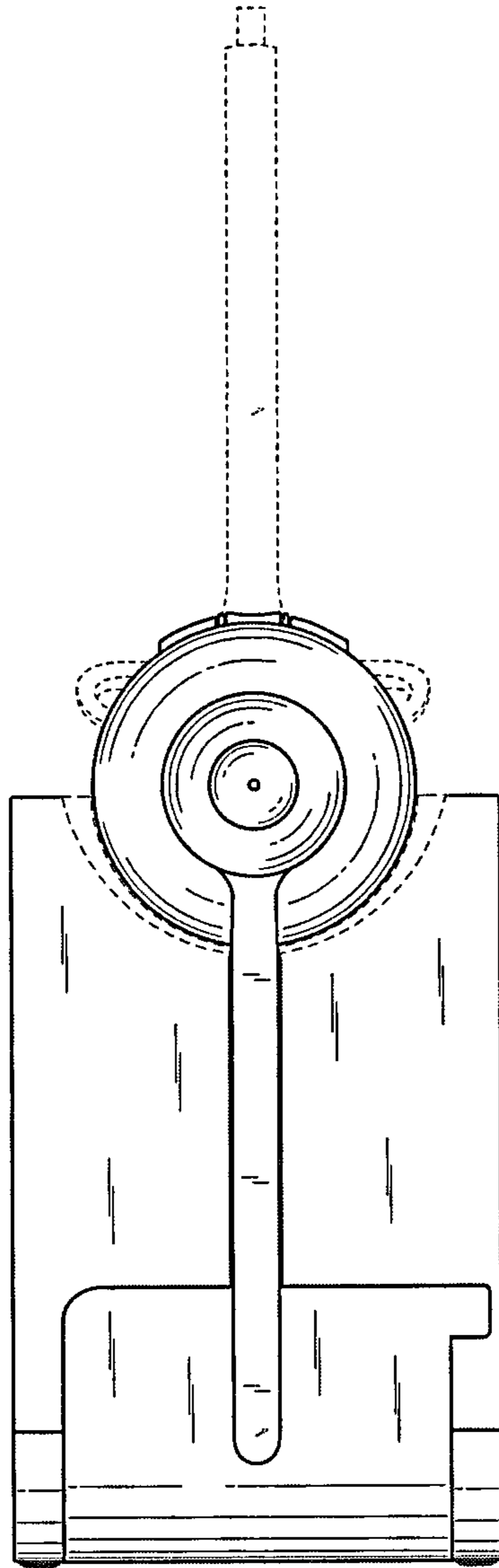


Fig. 14