



US00D684144S

(12) **United States Design Patent**  
**Palance**

(10) **Patent No.:** **US D684,144 S**  
(45) **Date of Patent:** **\*\* Jun. 11, 2013**

(54) **DEVICE HOLDER**

(75) Inventor: **David M. Palance**, Milford, NH (US)

(73) Assignee: **David M Palance**, Milford, NH (US)

(\*\*) Term: **14 Years**

(21) Appl. No.: **29/417,872**

(22) Filed: **Apr. 10, 2012**

(51) **LOC (9) Cl.** ..... **14-03**

(52) **U.S. Cl.**  
USPC ..... **D14/217; D14/251**

(58) **Field of Classification Search**  
USPC ..... D14/142, 149, 155, 157, 188, 191-193,  
D14/203.1-203.8, 217, 238.1, 251, 253,  
432-435.1, 447, 451, 474, 480.1-480.7, 496;  
D13/107, 108, 118; D3/218; 248/221.11,  
248/309.1; 320/107, 110, 113-115; 361/600;  
439/529, 534; 455/556.1-556.2, 557  
See application file for complete search history.

(56) **References Cited**

**U.S. PATENT DOCUMENTS**

D574,375 S *	8/2008	Prest et al.	.....	D14/253
D618,692 S *	6/2010	Deutsch et al.	.....	D14/447
D636,395 S *	4/2011	Anderson et al.	.....	D14/434
D640,708 S *	6/2011	Lee	.....	D14/447
D647,520 S *	10/2011	Wikel	.....	D14/253

D647,881 S *	11/2011	Warner	.....	D14/217
D653,666 S *	2/2012	Zhou	.....	D14/434
D658,167 S *	4/2012	Buesseler et al.	.....	D14/251
D661,309 S *	6/2012	Murrer et al.	.....	D14/447
D663,726 S *	7/2012	Gourley	.....	D14/251
D667,004 S *	9/2012	Goodrich	.....	D14/253
D668,662 S *	10/2012	Suiter	.....	D14/447
D672,350 S *	12/2012	Gioscia et al.	.....	D14/434

\* cited by examiner

*Primary Examiner* — Keli L Hill

(74) *Attorney, Agent, or Firm* — Maine Cernota + Rardin

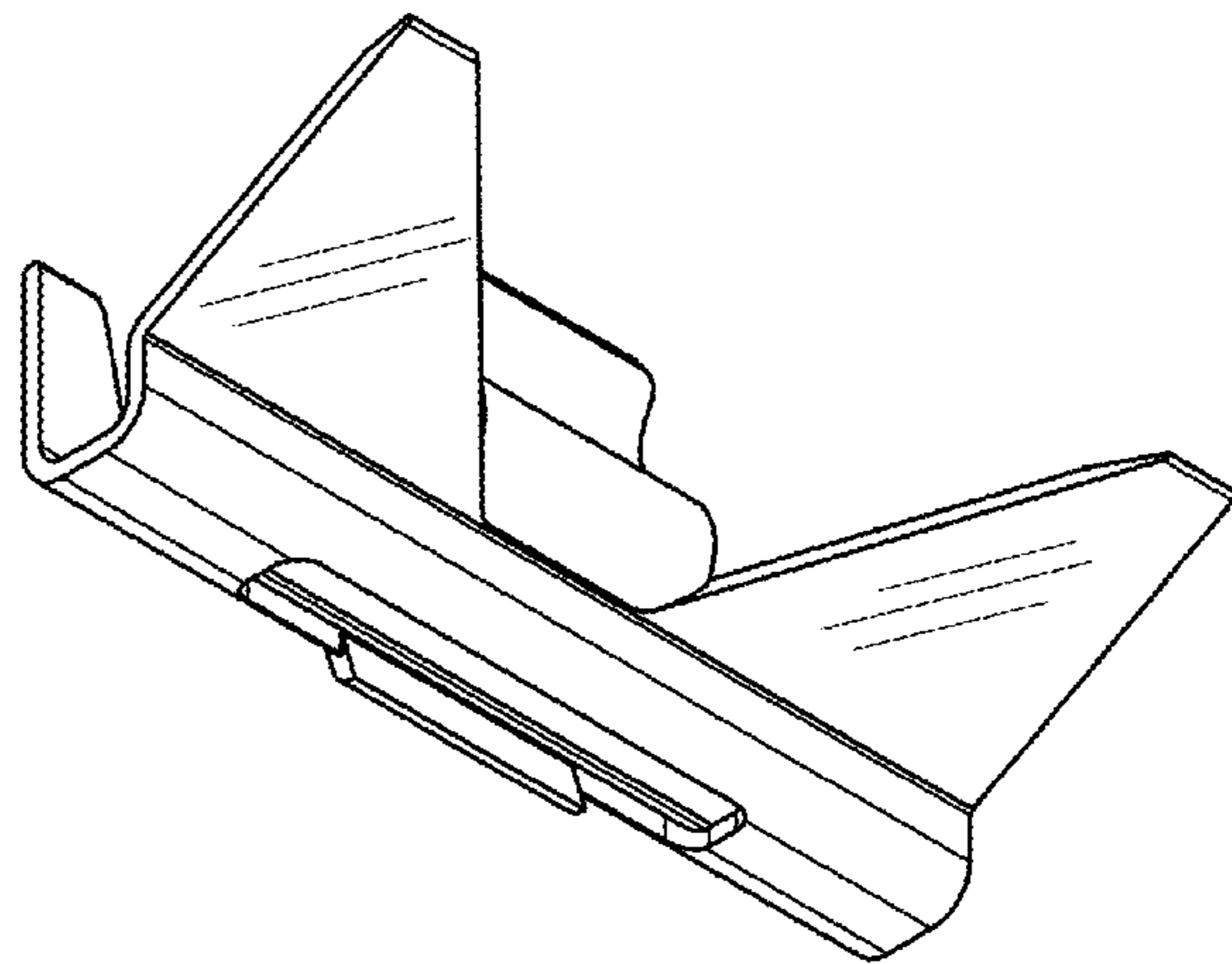
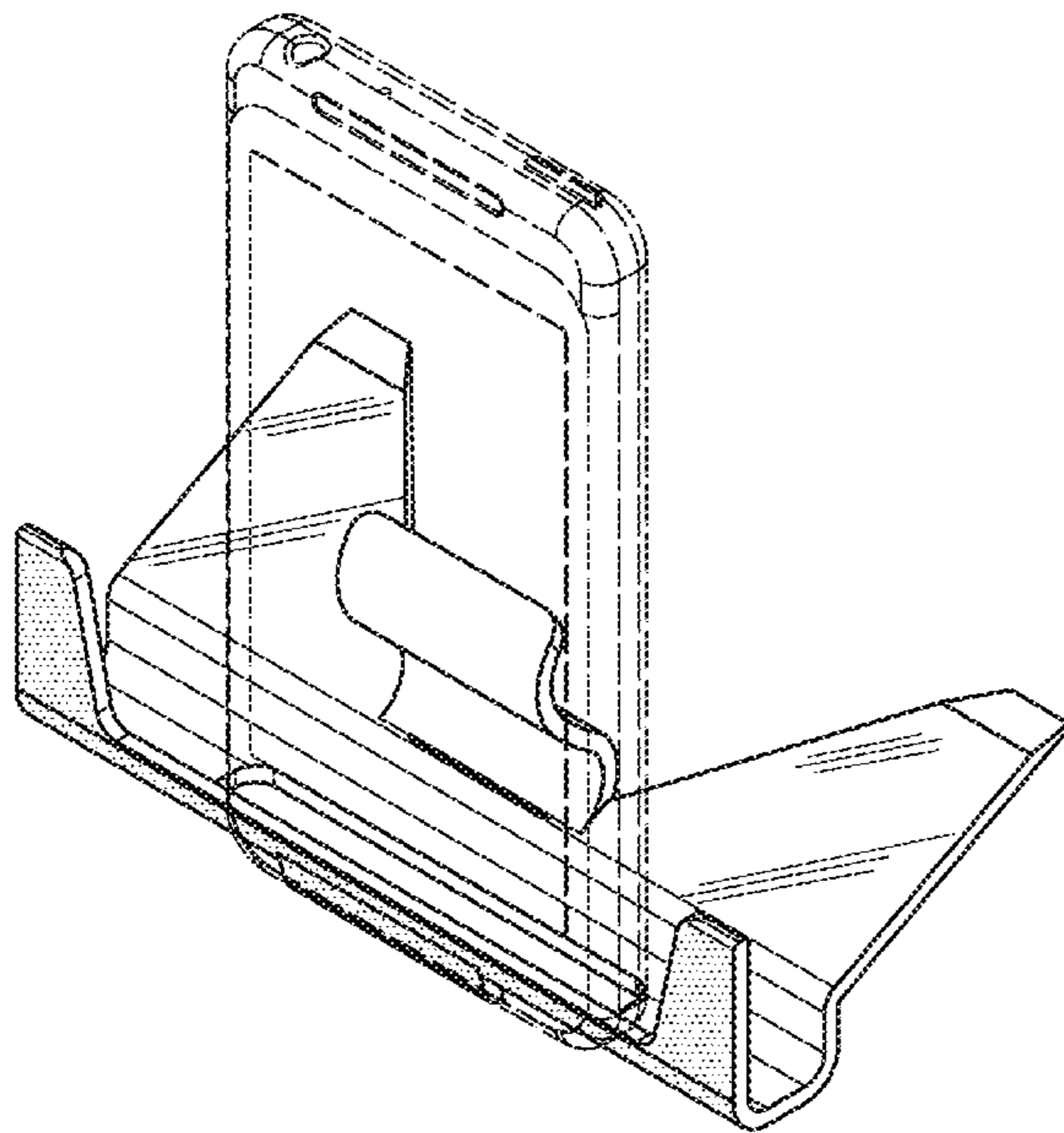
(57) **CLAIM**

The ornamental design for a device holder, as shown and described.

**DESCRIPTION**

FIG. 1 is a front, top perspective view of the device holder, showing our new design;  
FIG. 2 is a front view thereof;  
FIG. 3 is a rear view thereof;  
FIG. 4 is a left side view thereof;  
FIG. 5 is a right side view thereof;  
FIG. 6 is a top view thereof;  
FIG. 7 is a bottom view thereof; and,  
FIG. 8 is a back, bottom perspective view thereof.  
The broken line showing of the electronic device seen in FIG. 1 is included for the purpose of illustrating environment of the article and forms no part of the claimed design.

**1 Claim, 4 Drawing Sheets**



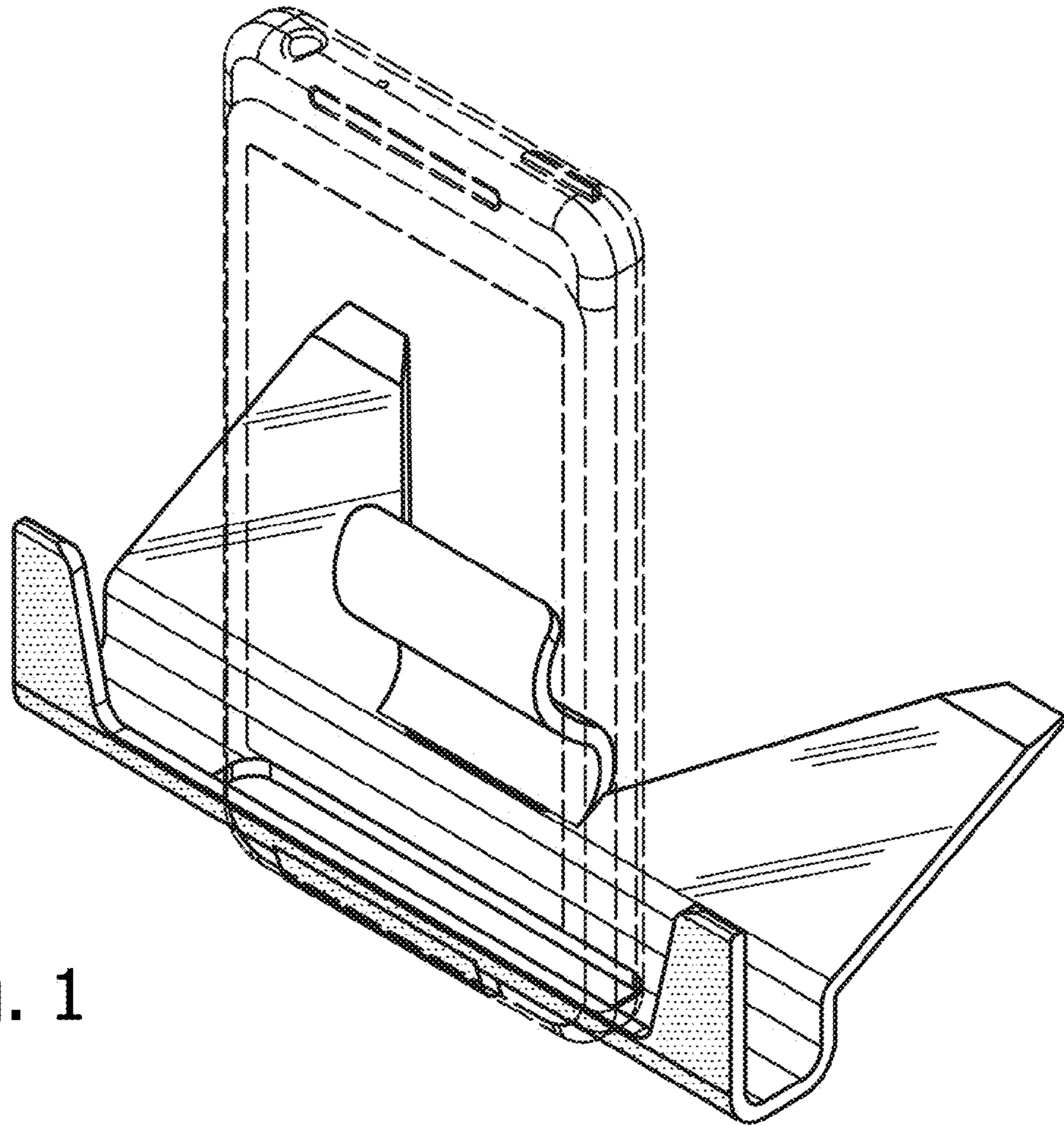


Fig. 1

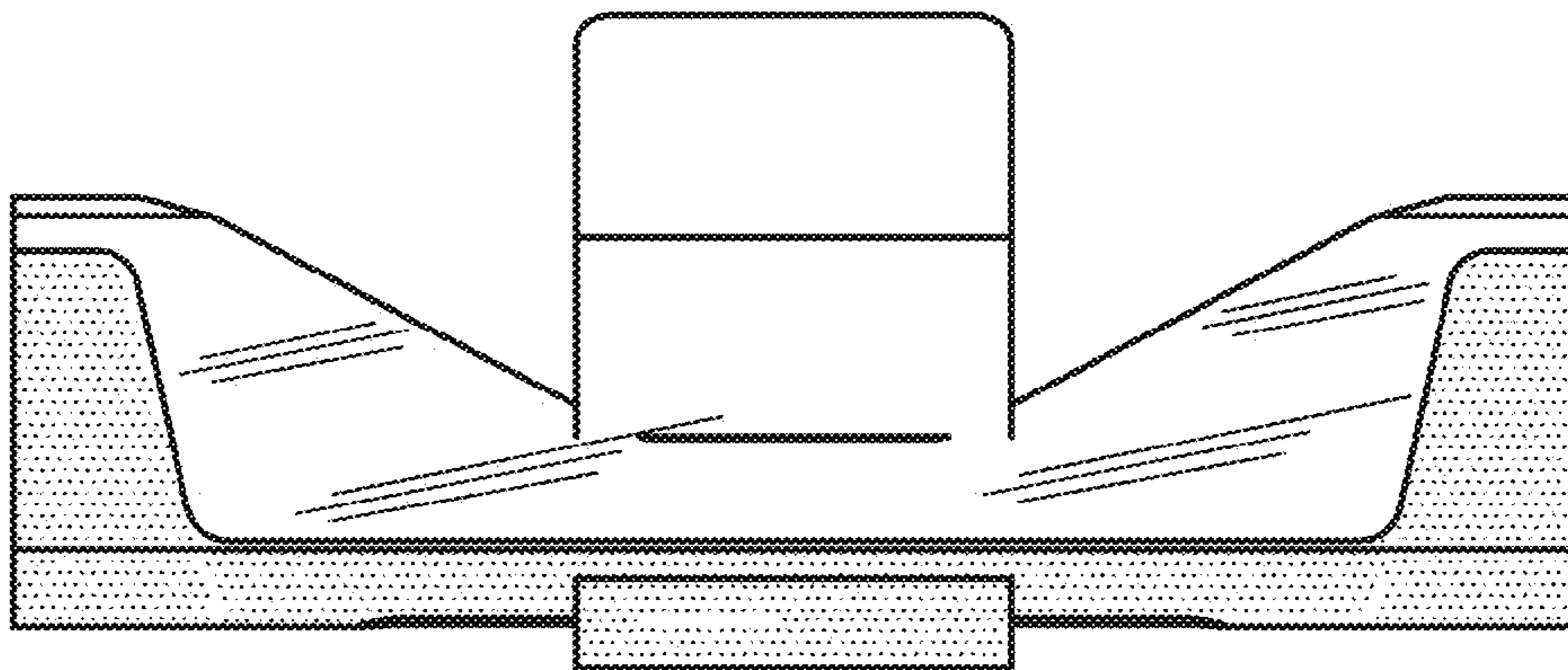


Fig. 2

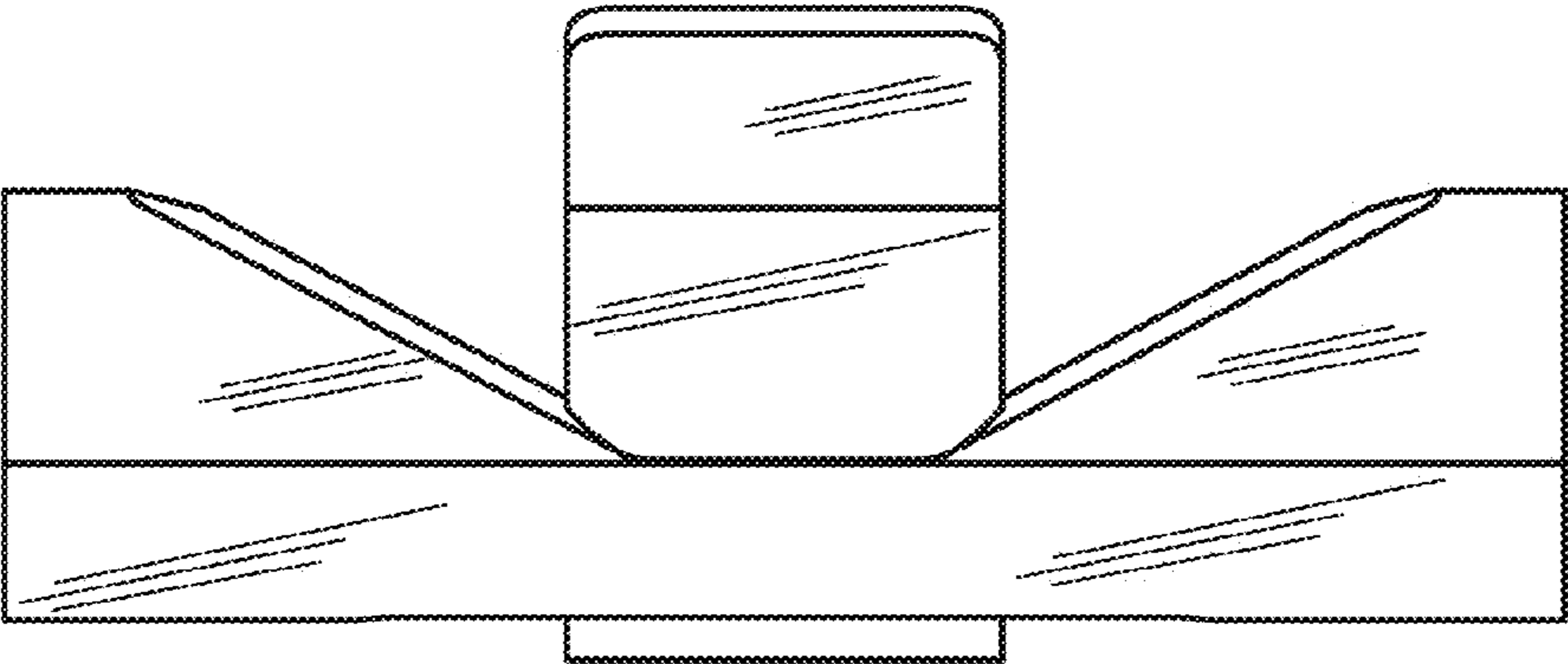


Fig. 3

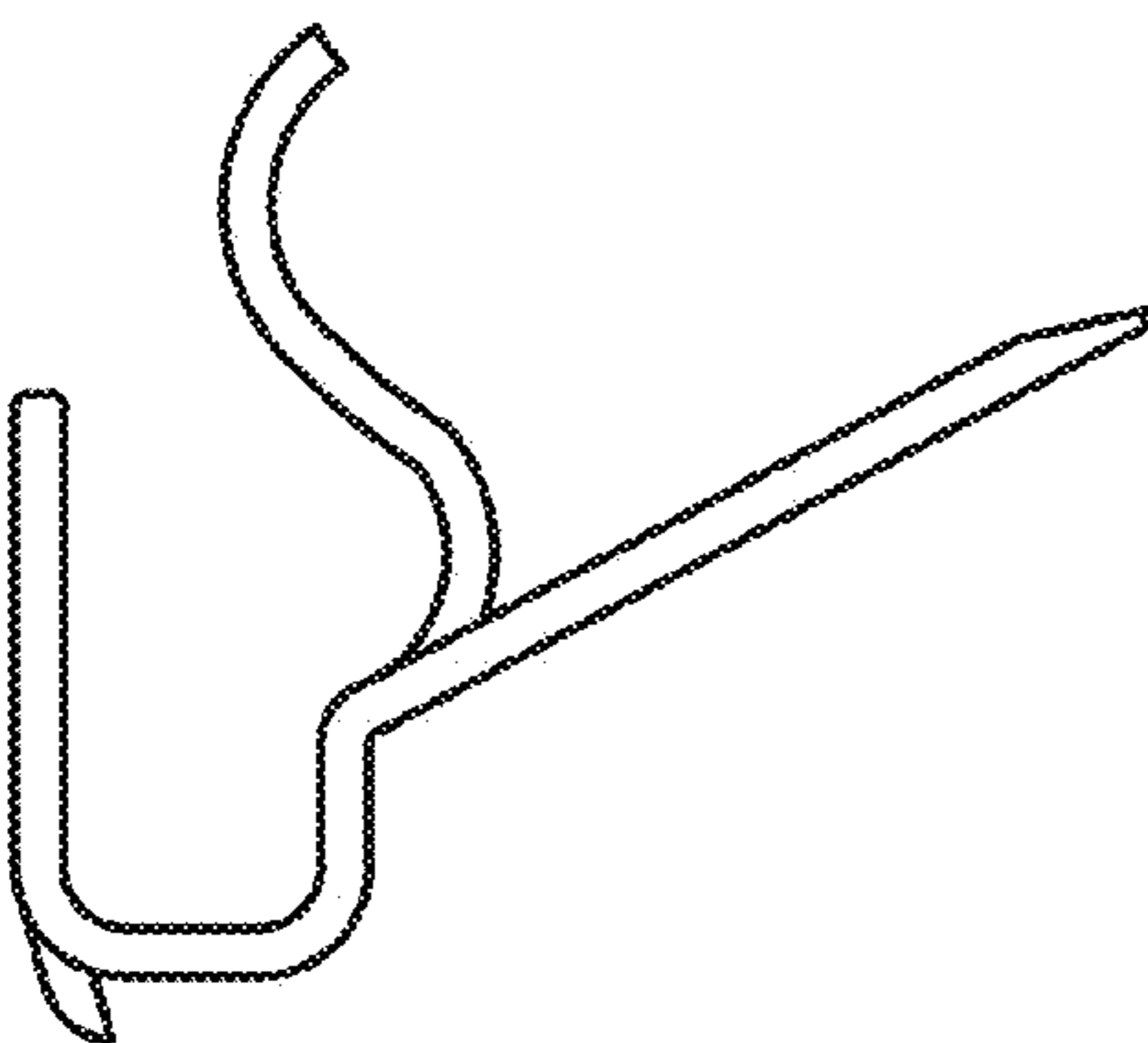


Fig. 4

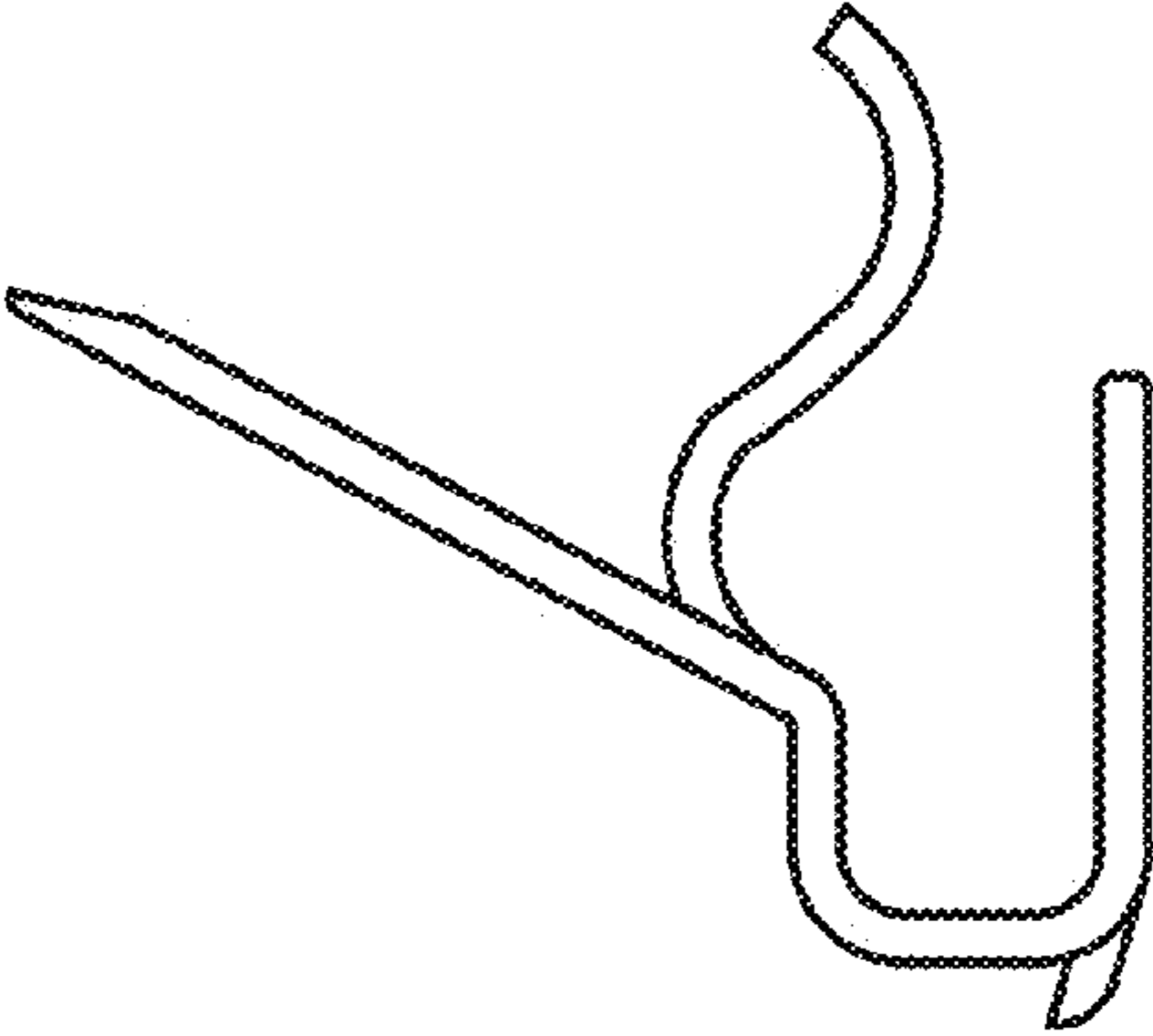


Fig. 5

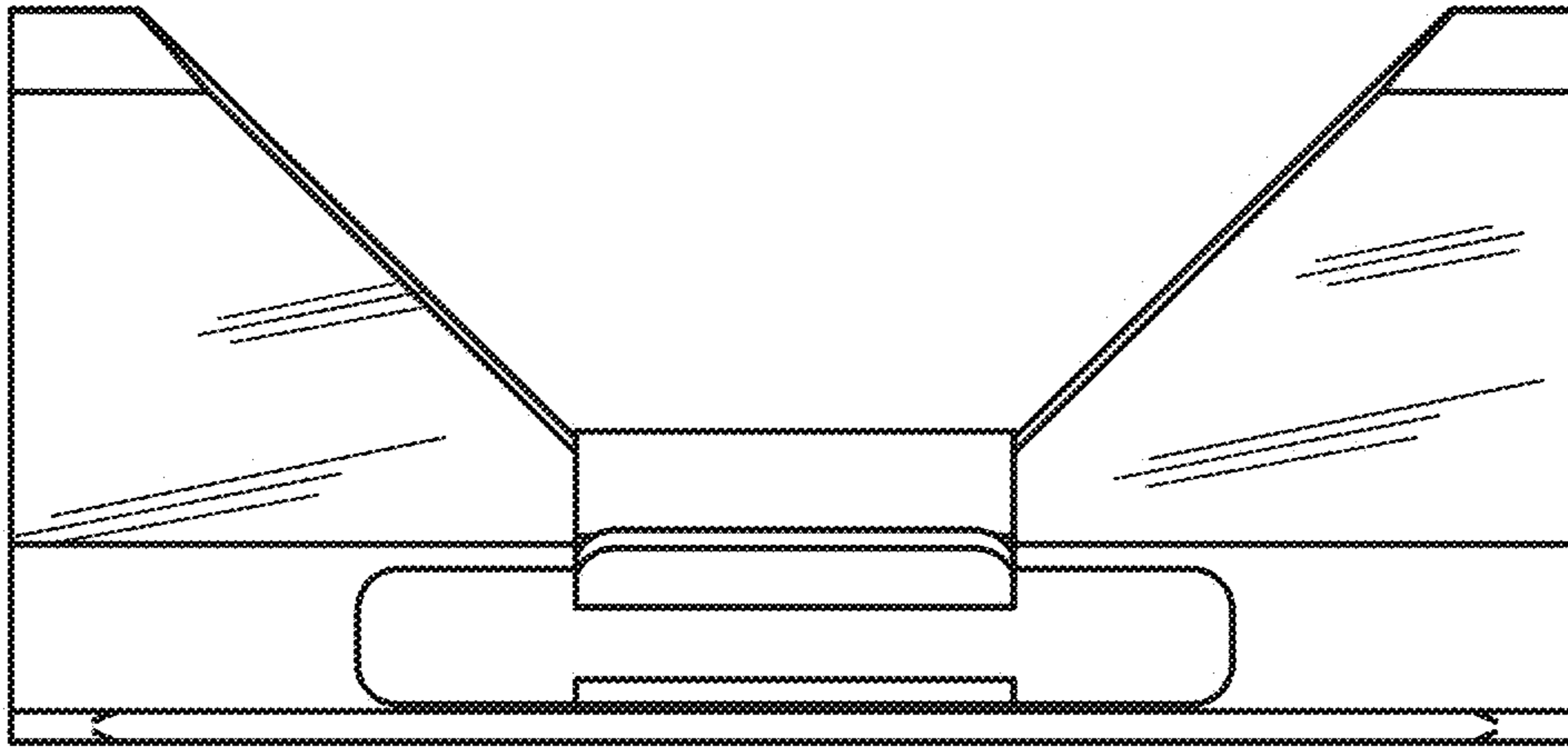


Fig. 6

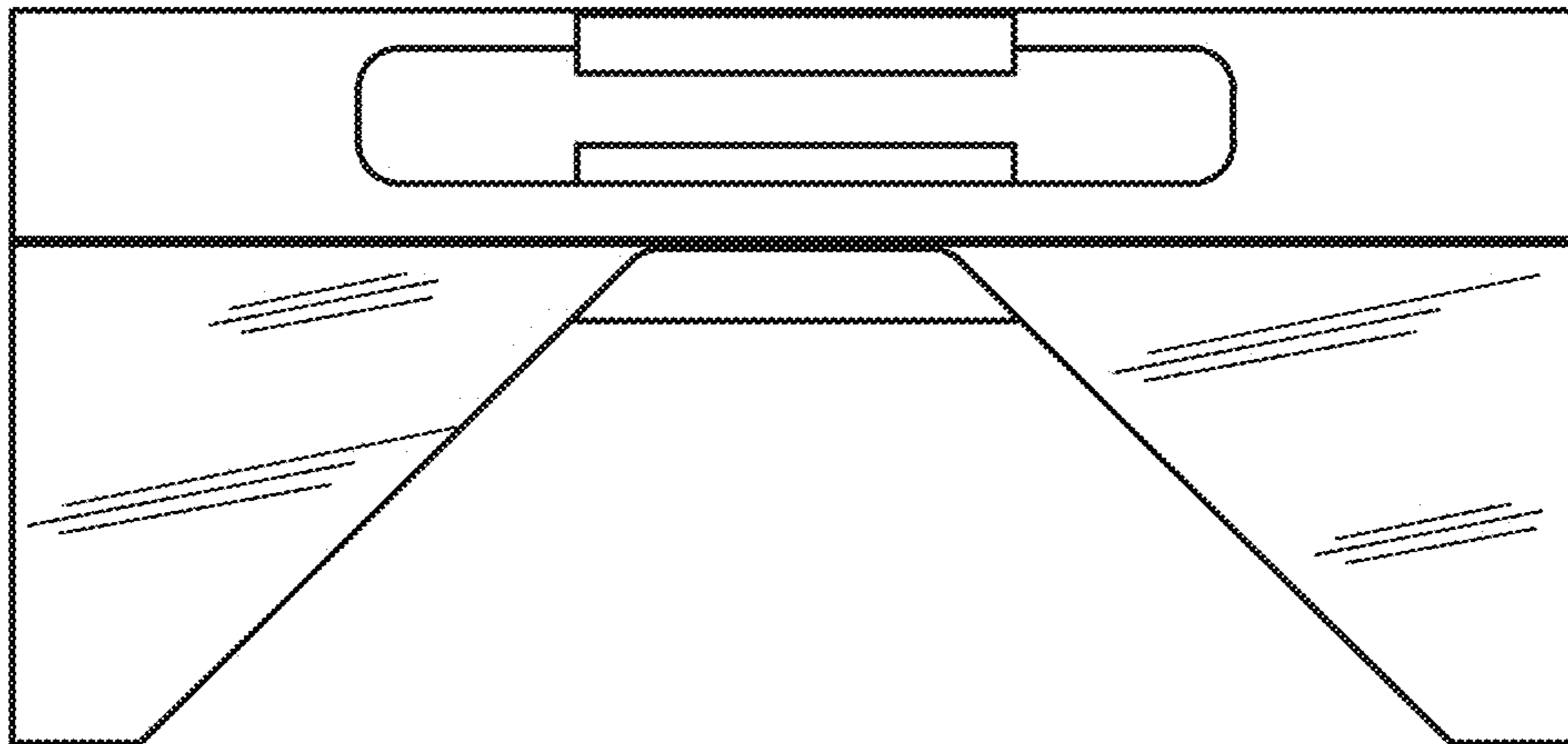


Fig. 7

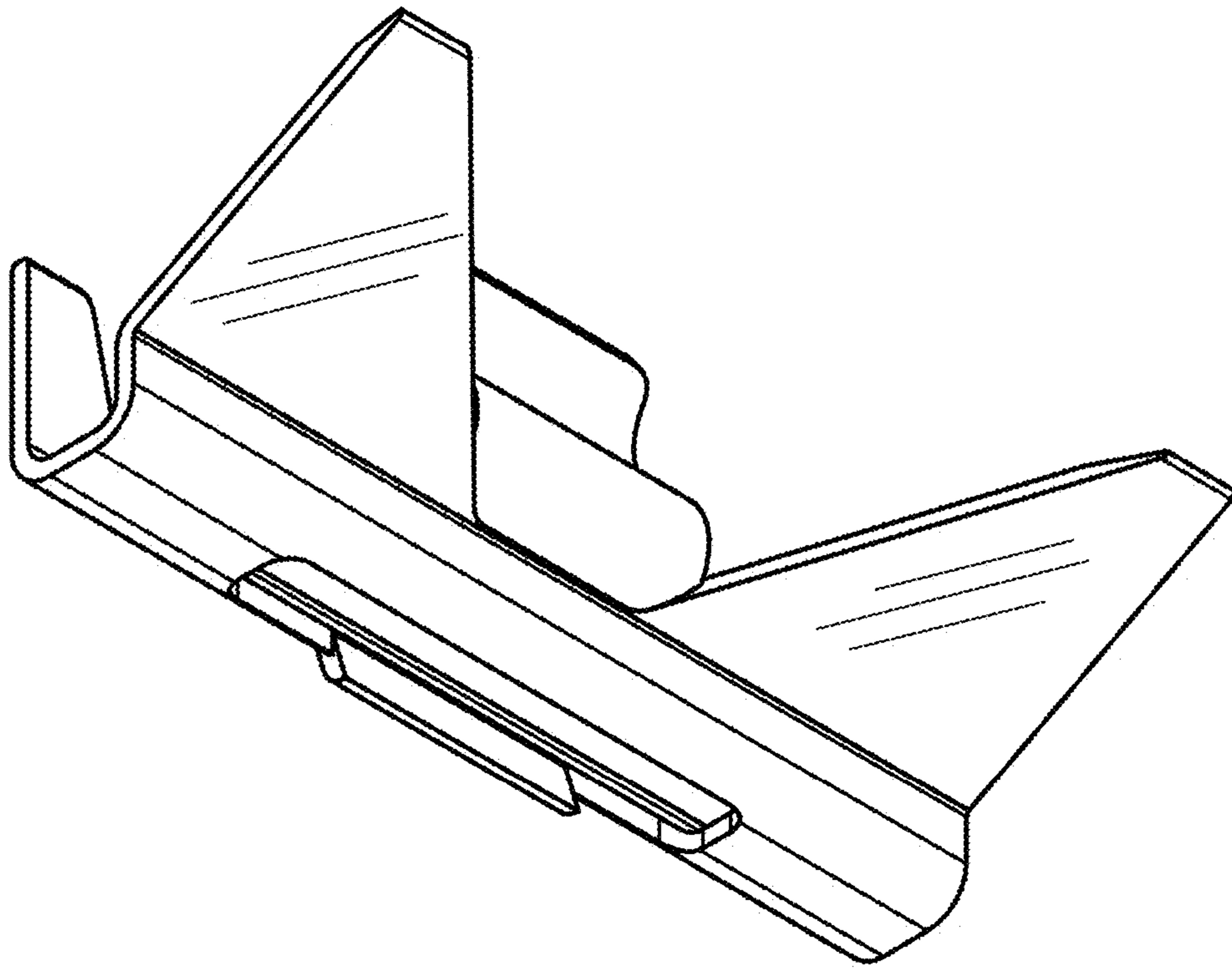


Fig. 8