



US00D684141S

(12) **United States Design Patent**
Takamoto

(10) **Patent No.:** **US D684,141 S**

(45) **Date of Patent:** **** Jun. 11, 2013**

(54) **PORTION OF HEADPHONES**

(75) **Inventor:** **Masahiro Takamoto**, Yokohama (JP)

(73) **Assignee:** **JVC Kenwood Corporation**, Yokohama (JP)

(**) **Term:** **14 Years**

(21) **Appl. No.:** **29/427,696**

(22) **Filed:** **Jul. 20, 2012**

(30) **Foreign Application Priority Data**

Mar. 15, 2012 (JP) D2012-005876

(51) **LOC (9) Cl.** **14-01**

(52) **U.S. Cl.**
USPC **D14/205**

(58) **Field of Classification Search**
USPC D14/205; D29/112; 2/209; 181/129,
181/130, 135; 379/430, 431; 381/380, 381,
381/370, 371, 374, 378, 379, 383; 455/90.3
See application file for complete search history.

(56) **References Cited**

U.S. PATENT DOCUMENTS

1,878,397	A *	9/1932	Hekler et al.	2/174
3,845,838	A *	11/1974	Malmrose et al.	181/129
4,571,746	A *	2/1986	Gorike	2/209
5,369,857	A *	12/1994	Sacherman et al.	29/594
D358,389	S *	5/1995	Isono	D14/205
D390,564	S *	2/1998	Savona	D14/205
D449,034	S *	10/2001	Weikel et al.	D14/205
D534,155	S *	12/2006	Obata	D14/205
D534,156	S *	12/2006	Obata	D14/205

D540,301	S *	4/2007	Obata	D14/205
D541,257	S *	4/2007	Thursfield	D14/205
D573,581	S *	7/2008	Gondo et al.	D14/205
D582,890	S *	12/2008	Koza et al.	D14/205
D584,715	S *	1/2009	Brennwald	D14/205
D588,100	S *	3/2009	Densho et al.	D14/205
D593,995	S *	6/2009	Shimizu	D14/205
D625,705	S *	10/2010	Ohuri et al.	D14/205
D633,471	S *	3/2011	Sugiyama	D14/205
D634,298	S *	3/2011	Shimizu et al.	D14/205
8,098,872	B2 *	1/2012	Chang	381/371
D659,116	S *	5/2012	Iseki	D14/205
D664,114	S *	7/2012	Tsuchiya	D14/205
D675,595	S *	2/2013	Cho et al.	D14/205
D678,860	S *	3/2013	Hagelin	D14/205

* cited by examiner

Primary Examiner — Paula Greene

(74) *Attorney, Agent, or Firm* — Nath, Goldberg & Meyer;
Jerald L. Meyer; Scott C. Langford

(57) **CLAIM**

The ornamental design for a portion of headphones, as shown and described.

DESCRIPTION

FIG. 1 is a perspective view of a portion of headphones;
FIG. 2 is a front view thereof;
FIG. 3 is a rear view thereof;
FIG. 4 is a left side view thereof;
FIG. 5 is a right side view thereof;
FIG. 6 is a top plan view thereof; and,
FIG. 7 is a bottom plan view thereof.

The portion of headphones in broken lines are for illustrative purposes only and form no part of the claimed design.

1 Claim, 5 Drawing Sheets

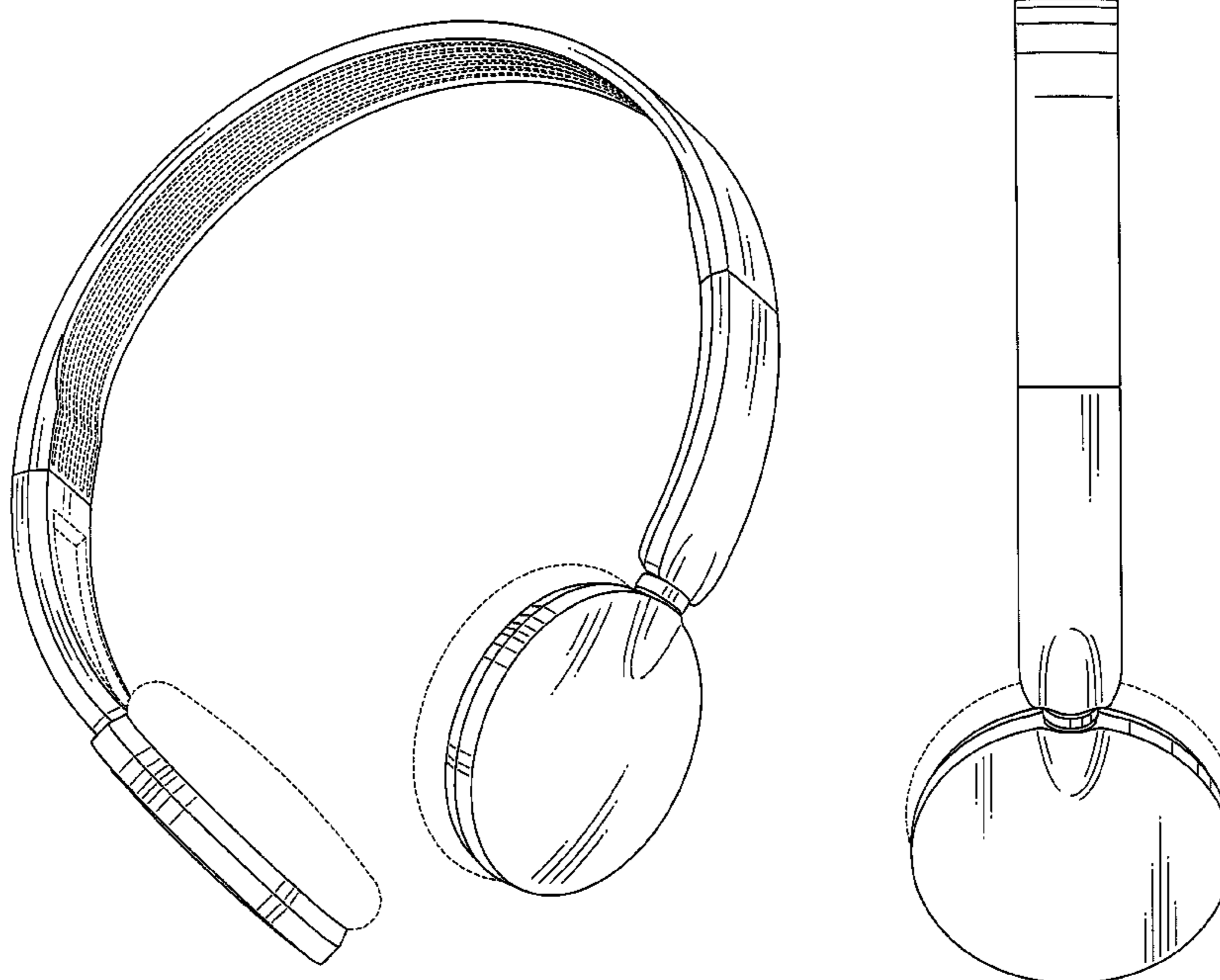


Fig. 1

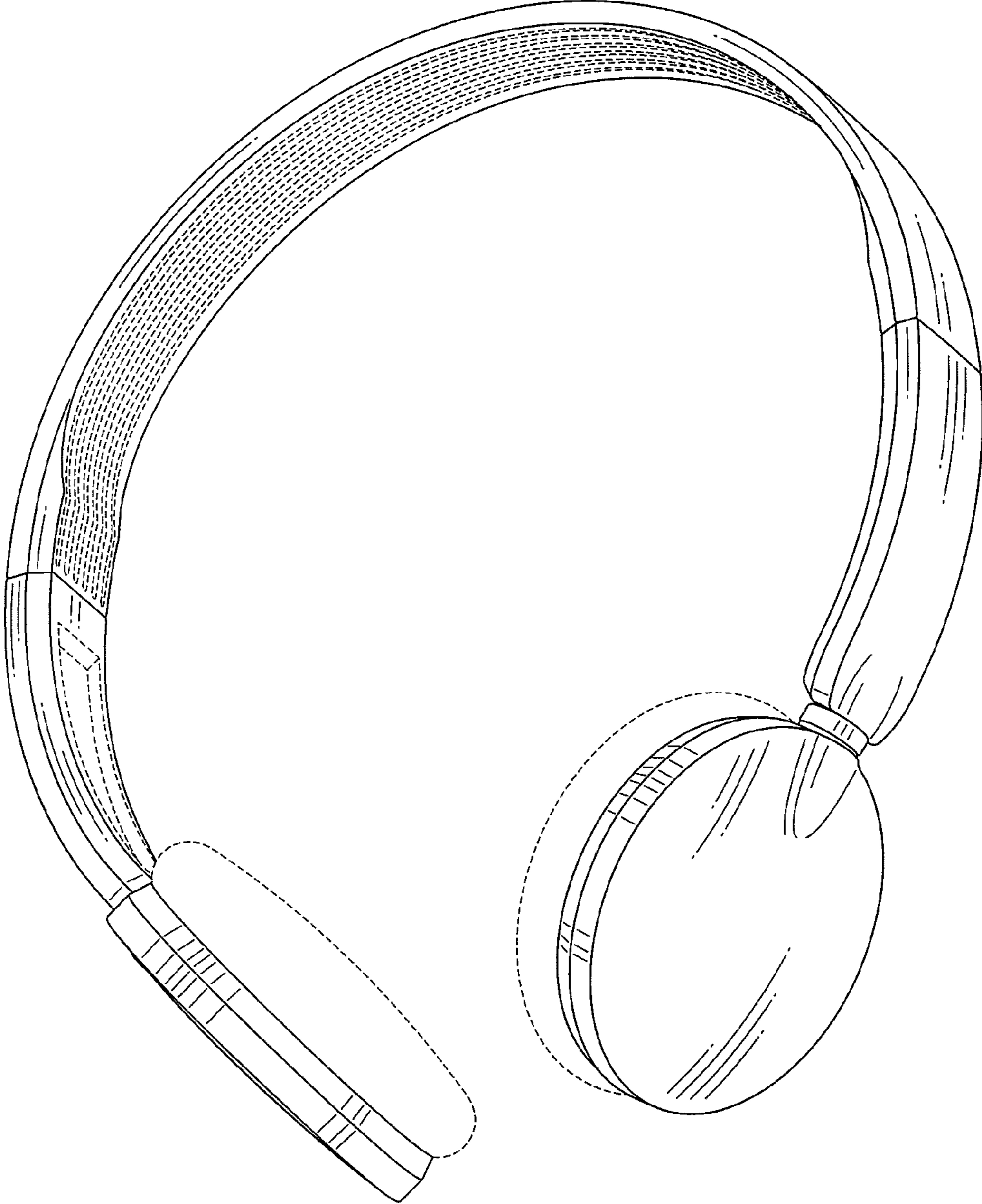


Fig. 2

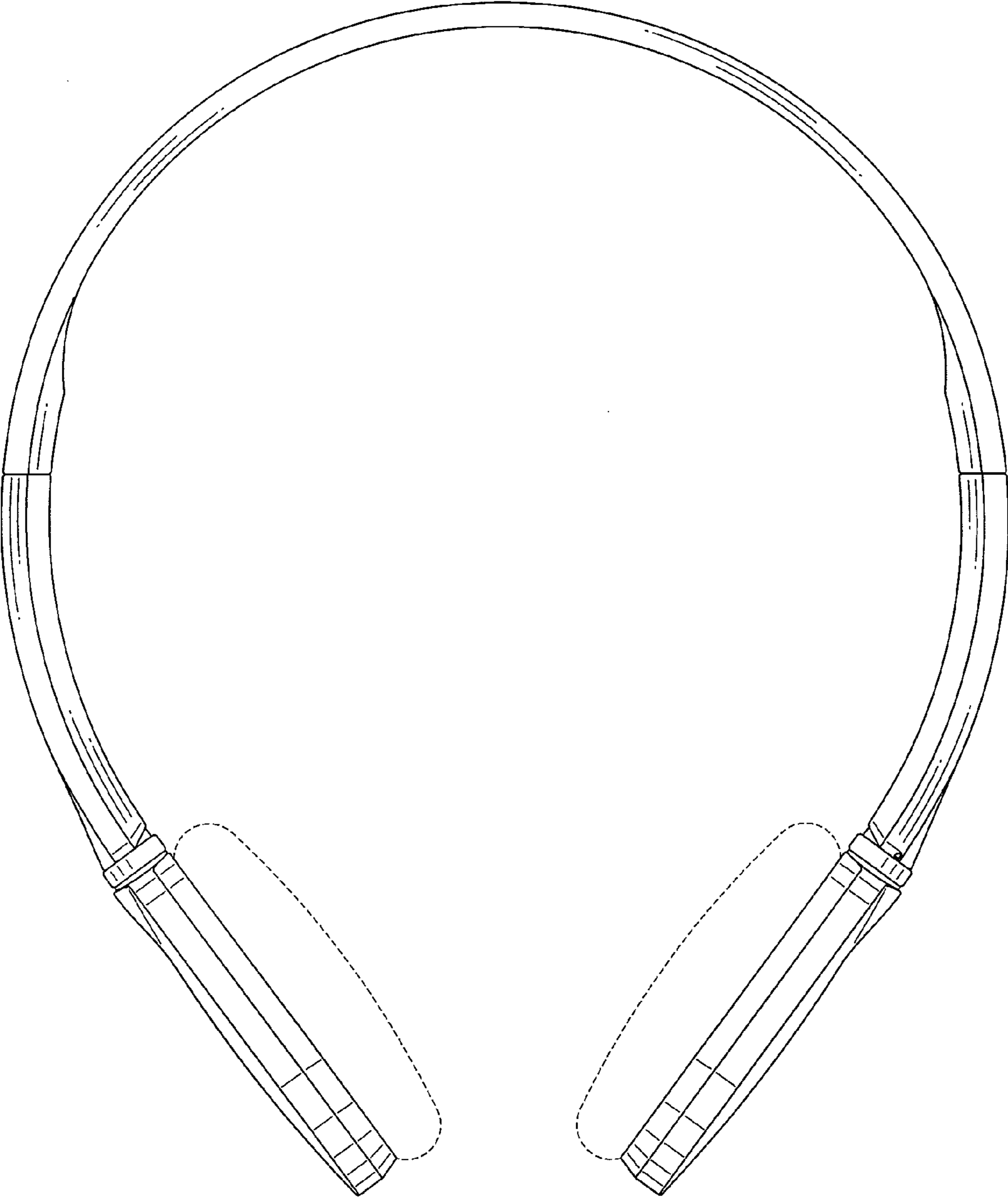


Fig. 3

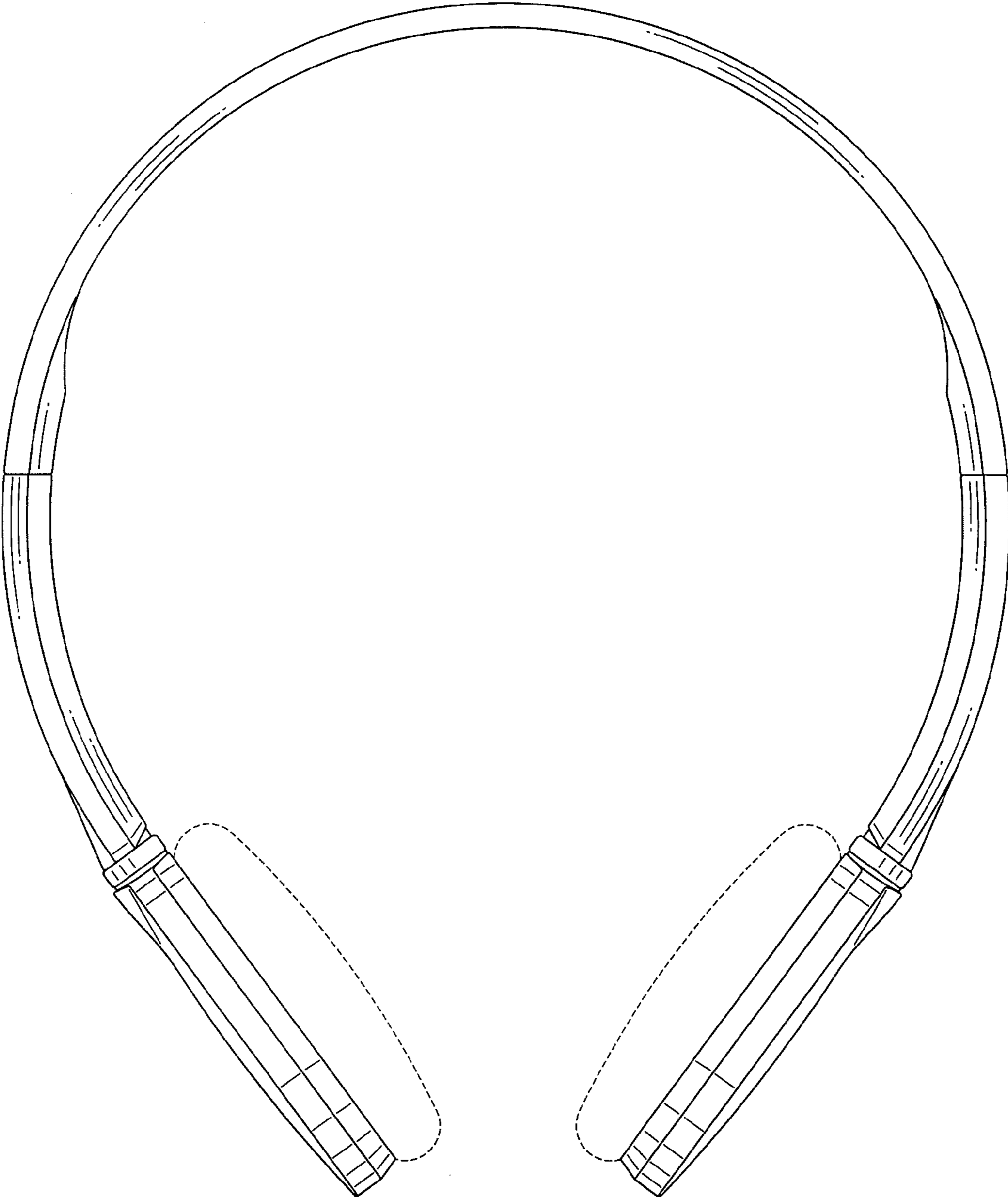


Fig. 4

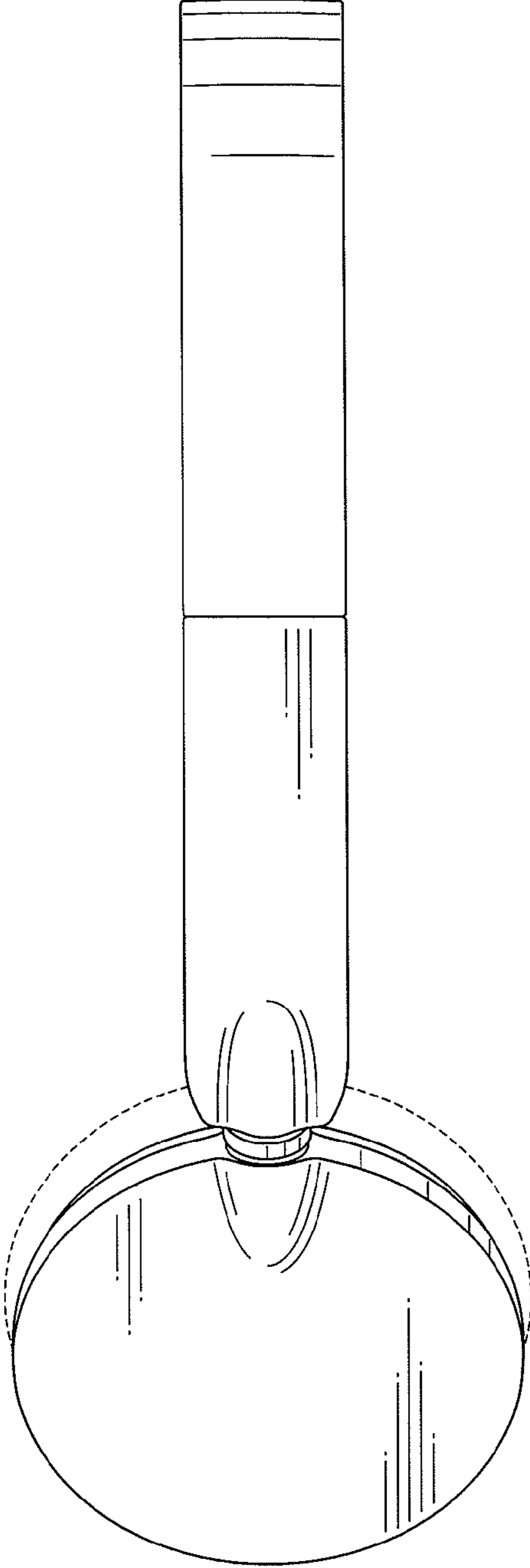


Fig. 5

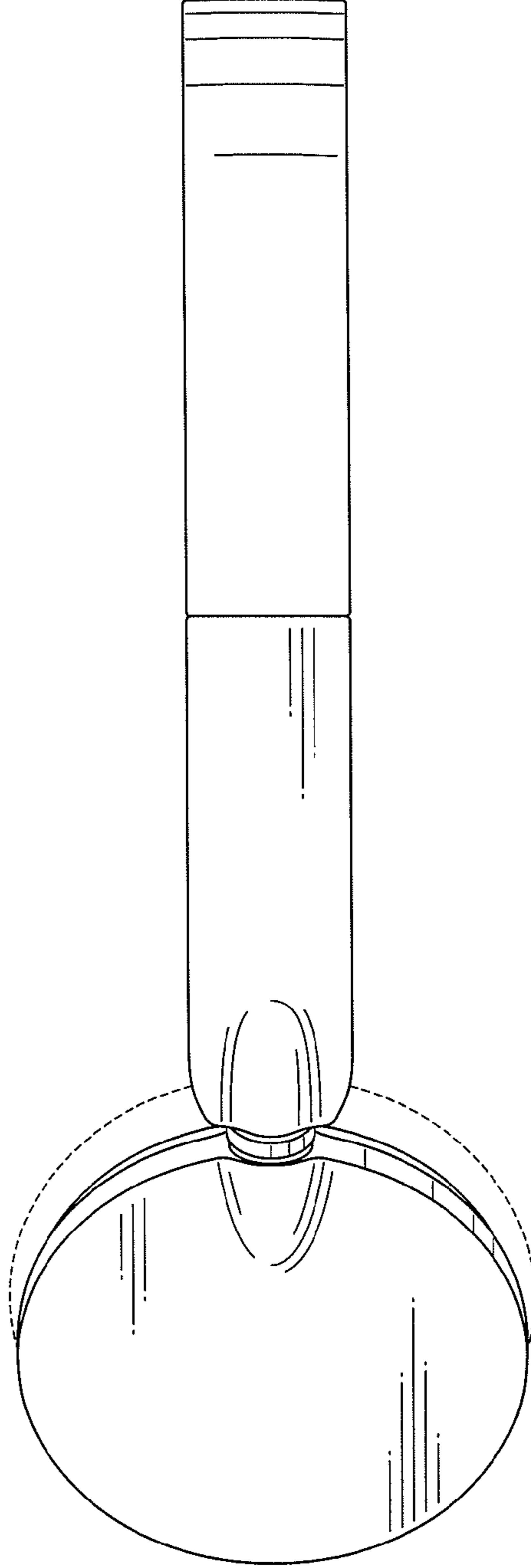


Fig. 6

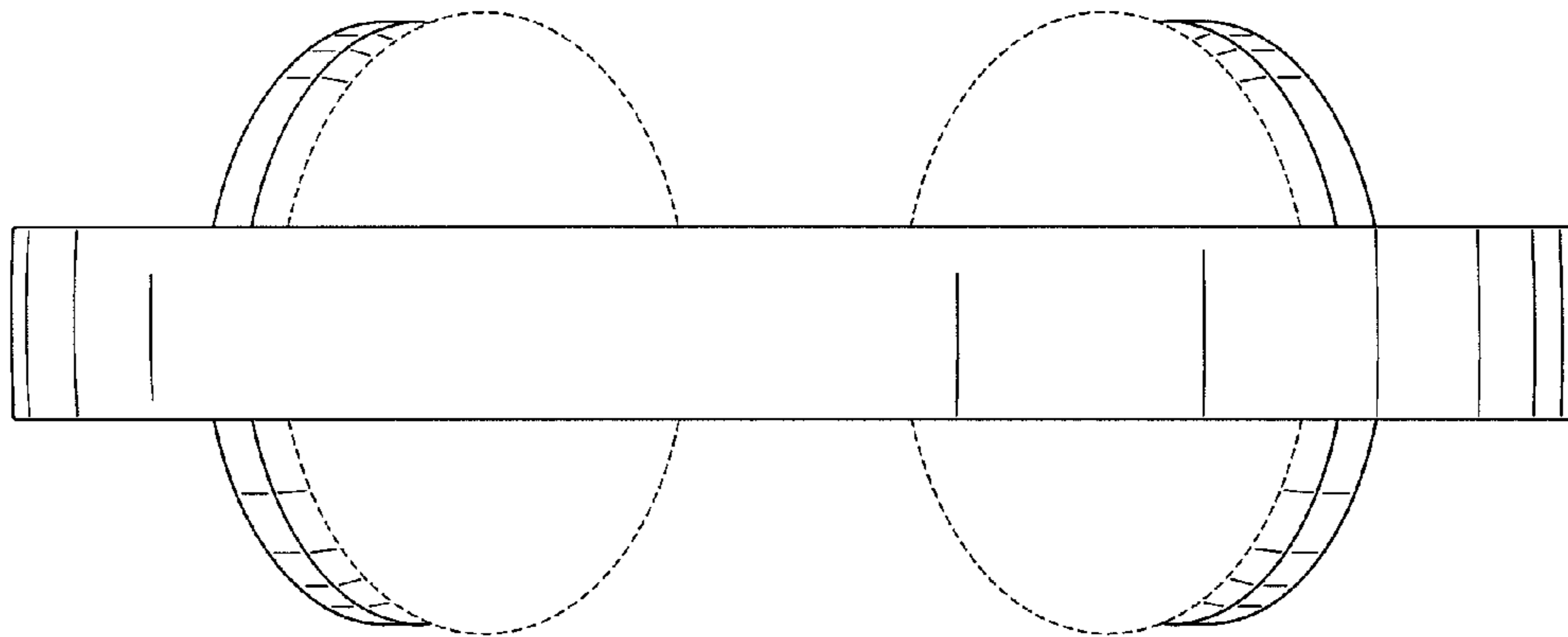


Fig. 7

