



US00D684140S

(12) **United States Design Patent**  
**Enquist et al.**

(10) **Patent No.:** **US D684,140 S**  
(45) **Date of Patent:** **\*\* Jun. 11, 2013**

(54) **HEADPHONE**

(75) Inventors: **Andreas Enquist**, Hägersten (SE);  
**Marcus Rudbäck**, Stockholm (SE);  
**Erik Petersen**, Nacka (SE)

(73) Assignee: **Zound Industries Inernational AB**,  
Stockholm (SE)

(\*\*) Term: **14 Years**

(21) Appl. No.: **29/418,767**

(22) Filed: **Apr. 20, 2012**

(30) **Foreign Application Priority Data**

Oct. 27, 2011 (EM) ..... 001938689

(51) **LOC (9) Cl.** ..... **14-01**

(52) **U.S. Cl.**  
USPC ..... **D14/205**

(58) **Field of Classification Search**  
USPC ..... D14/205, 206, 223, 188, 192; D29/112;  
2/209; 181/129, 130, 135; 379/430, 431;  
381/380, 381, 374; 455/90.3, 575.1  
See application file for complete search history.

(56) **References Cited**

**U.S. PATENT DOCUMENTS**

4,499,593	A *	2/1985	Antle	.....	381/378
5,293,647	A *	3/1994	Mirmilshsteyn et al.	.....	2/209
5,406,037	A *	4/1995	Nageno et al.	.....	181/129
5,640,458	A *	6/1997	Nishiguchi et al.	.....	381/74
D431,550	S *	10/2000	Yoneda	.....	D14/205
6,961,440	B1 *	11/2005	Schlaegel	.....	381/382
D514,087	S *	1/2006	Wilson et al.	.....	D14/206

D538,261	S *	3/2007	Taylor et al.	.....	D14/205
D584,715	S *	1/2009	Brennwald	.....	D14/205
D585,871	S *	2/2009	Lee	.....	D14/205
D585,872	S *	2/2009	Lee	.....	D14/205
D597,070	S *	7/2009	Zheng	.....	D14/205
D600,674	S *	9/2009	Brennwald	.....	D14/205
D665,775	S *	8/2012	Katsumata	.....	D14/205
D668,633	S *	10/2012	Enquist	.....	D14/205
D669,451	S *	10/2012	Tappeiner et al.	.....	D14/205
D673,929	S *	1/2013	Combs et al.	.....	D14/205

\* cited by examiner

*Primary Examiner* — Paula Greene

(74) *Attorney, Agent, or Firm* — Capitol City TechLaw

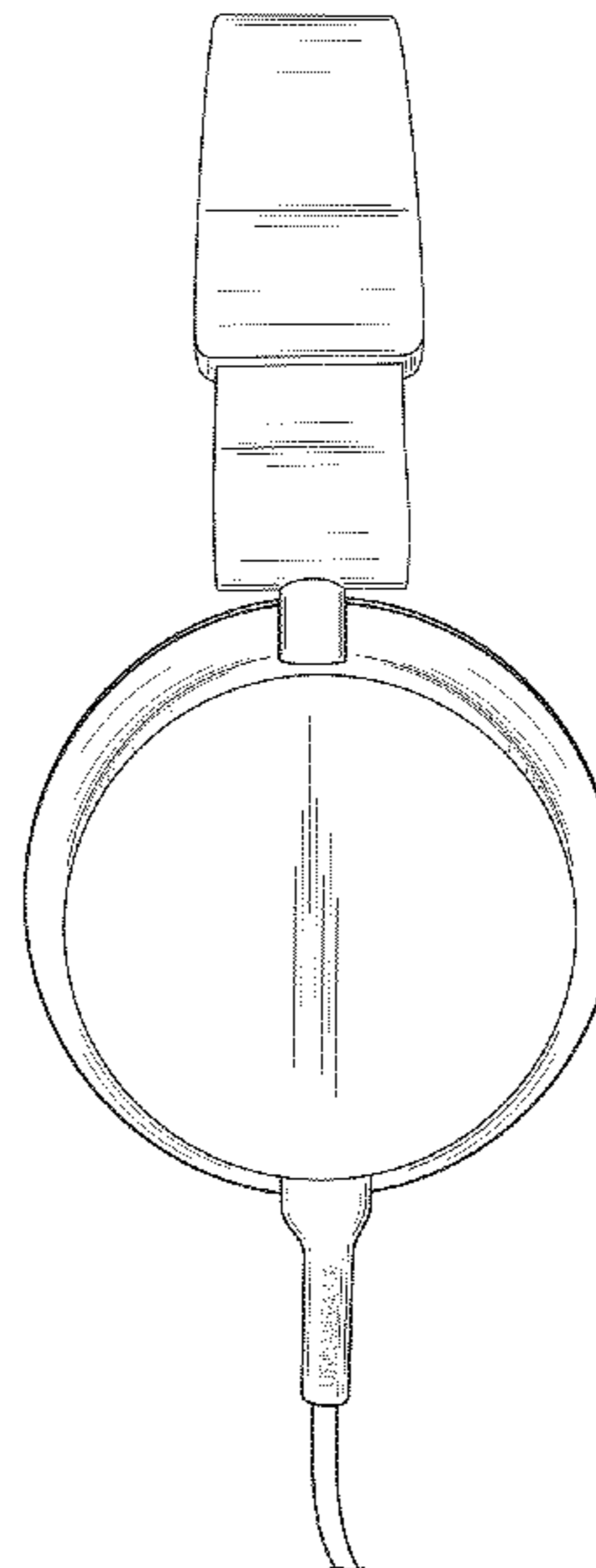
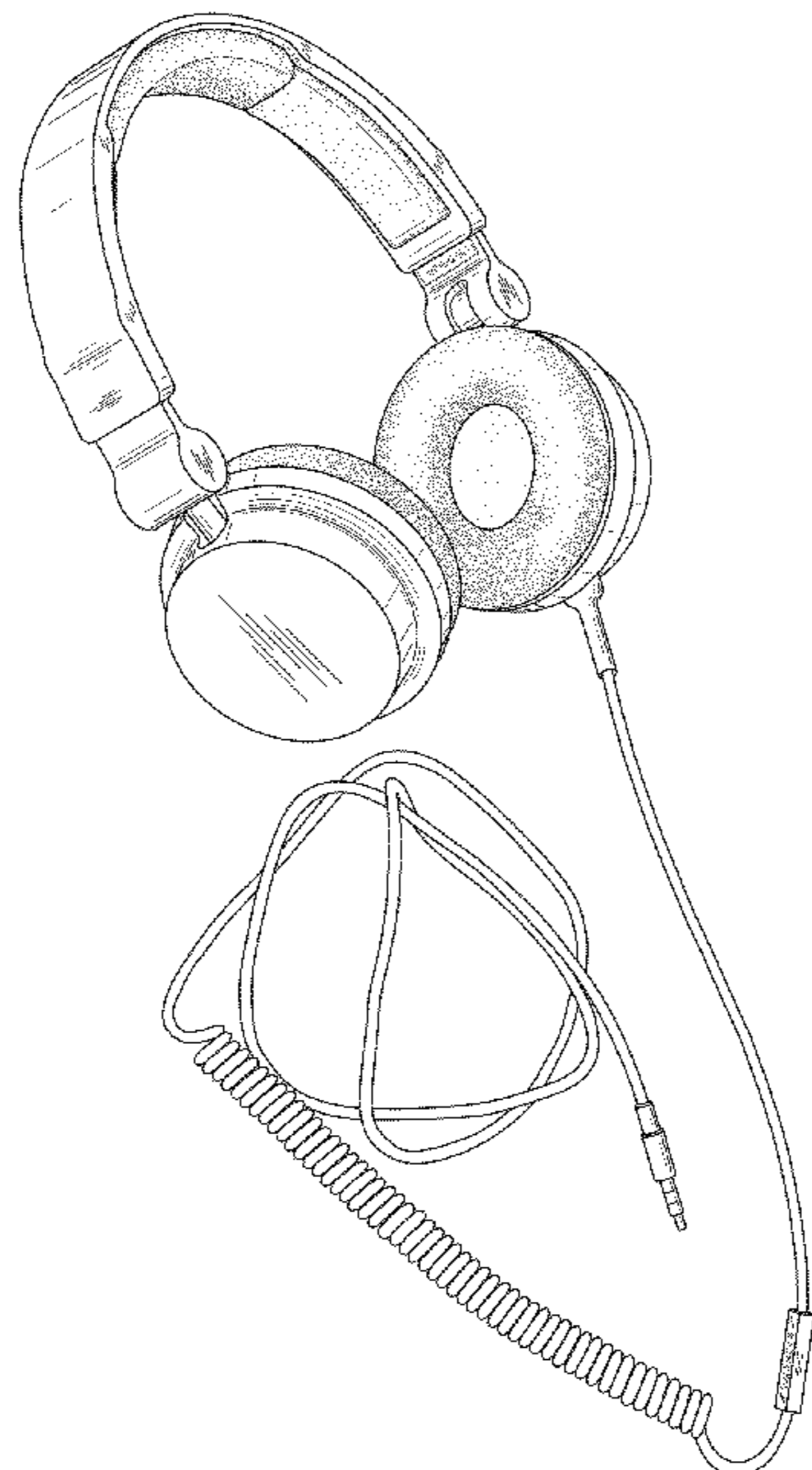
(57) **CLAIM**

The ornamental design for a headphone, as shown and described.

**DESCRIPTION**

FIG. 1 is a front, top and right side perspective view of a headphone showing our new design, the opposite perspective view is a mirror image;  
FIG. 2 is a partial front view thereof, the headset is drawn separately for purposes of illustration;  
FIG. 3 is a partial rear view thereof;  
FIG. 4 is an enlarged, partial top view thereof;  
FIG. 5 is an enlarged, partial right side view thereof;  
FIG. 6 is an enlarged, partial left side view thereof; and,  
FIG. 7 is an enlarged, partial front, bottom and left side perspective view thereof.  
In FIGS. 1, 6, and 7, the broken lines showing the term "URBANEARS" form no part of the claimed design.

**1 Claim, 7 Drawing Sheets**



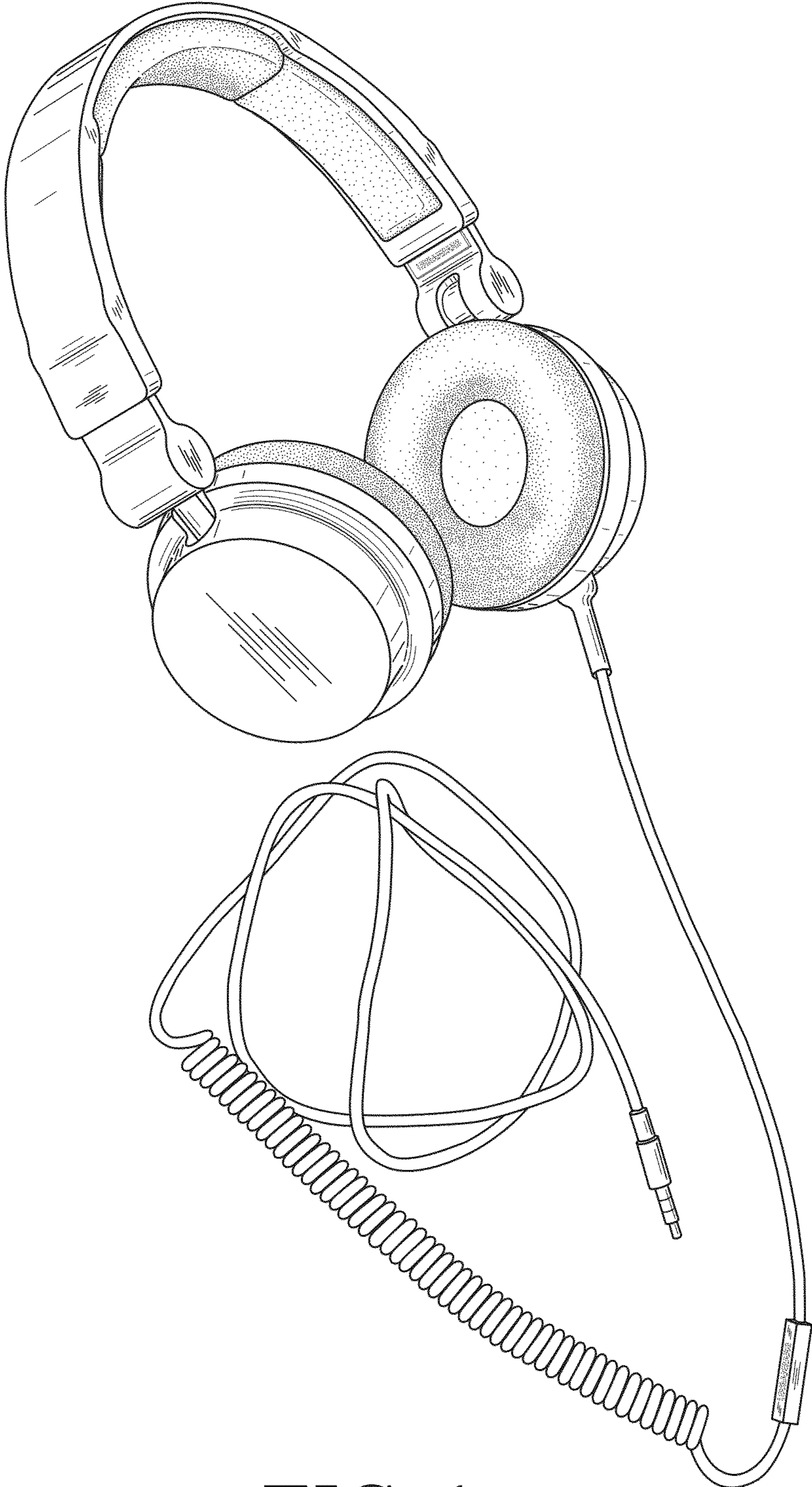


FIG. 1



FIG. 2



FIG. 3

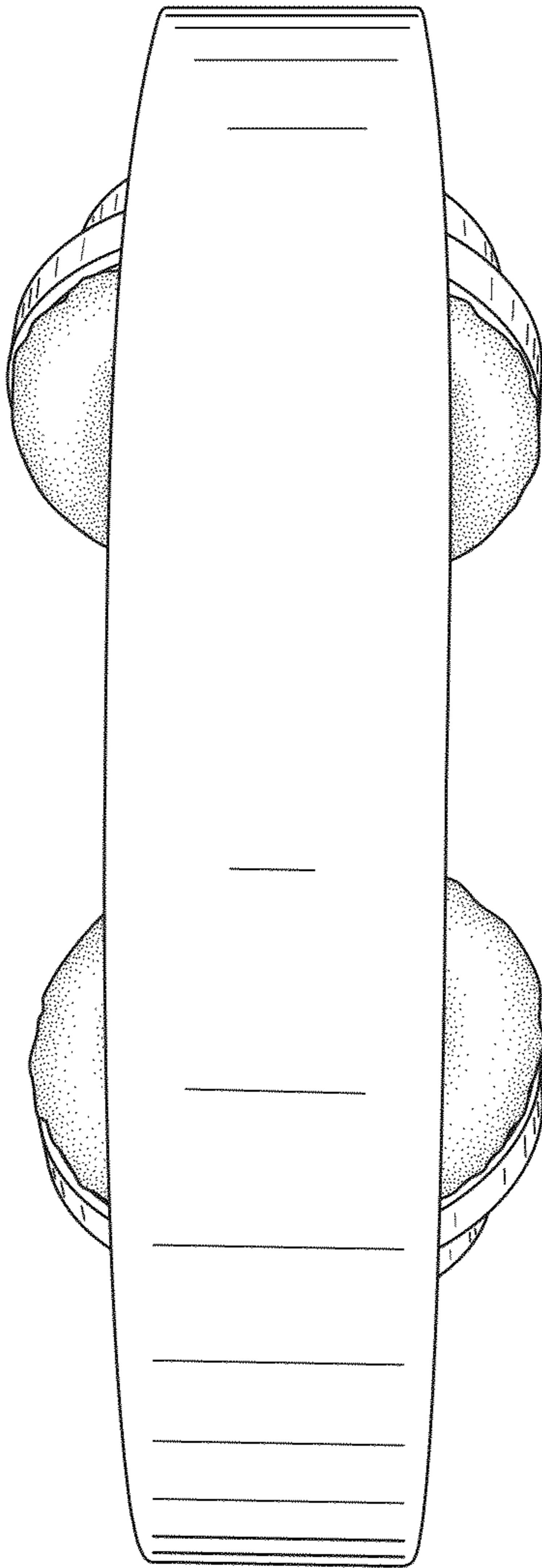


FIG. 4

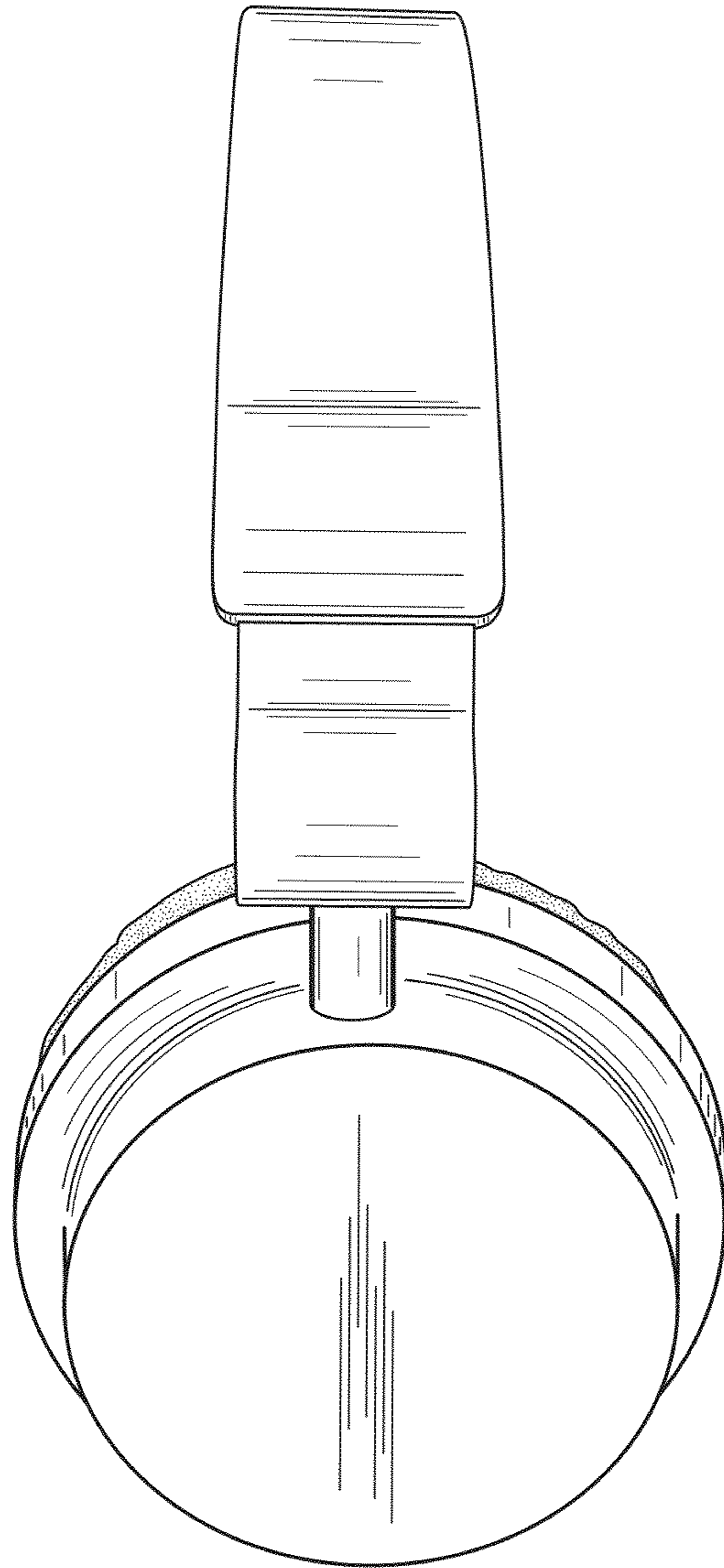


FIG. 5

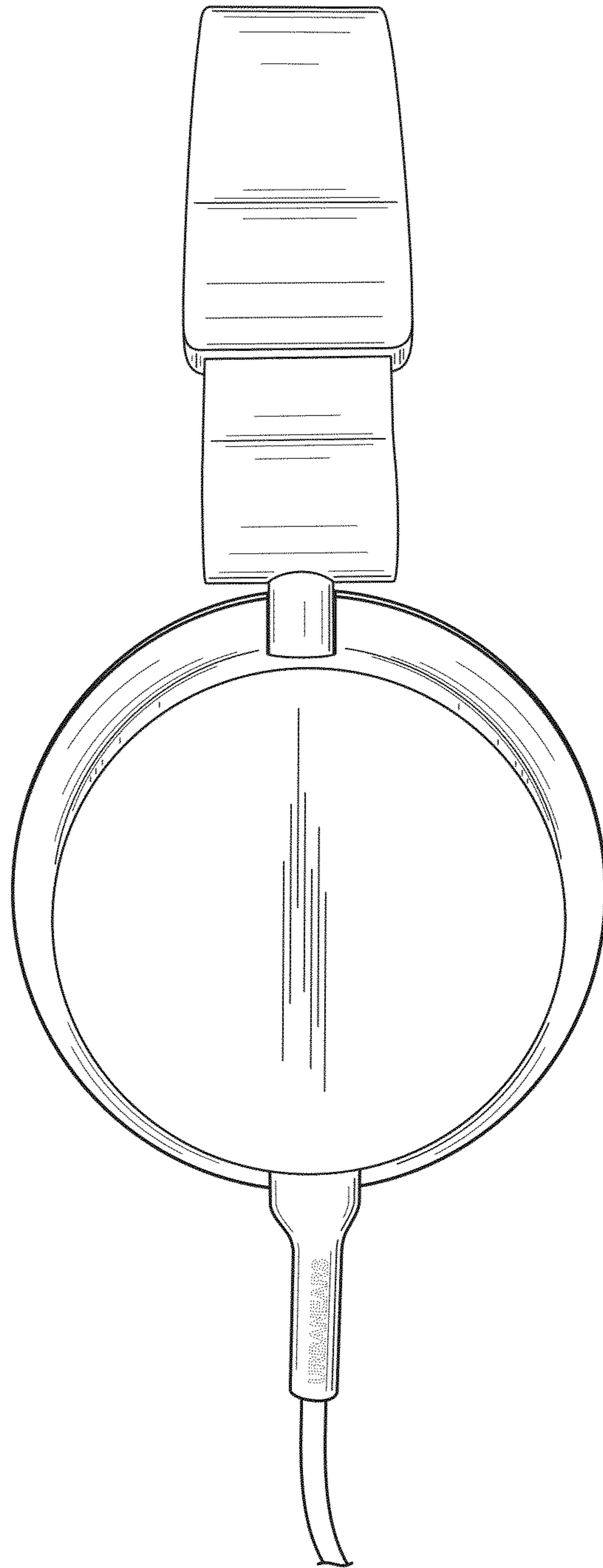


FIG. 6

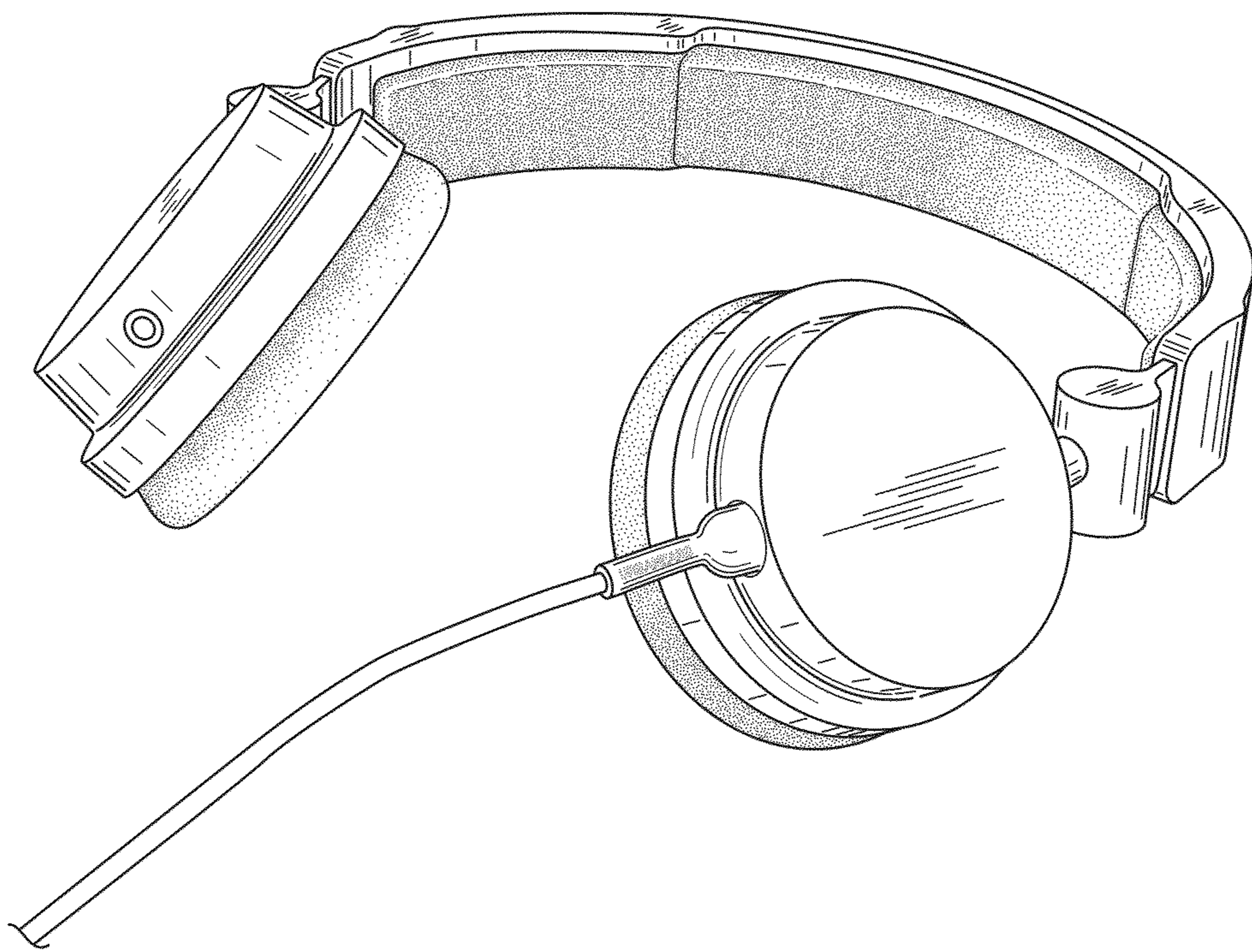


FIG. 7