



US00D684139S

(12) **United States Design Patent**
Miyake et al.

(10) **Patent No.:** **US D684,139 S**
(45) **Date of Patent:** **** Jun. 11, 2013**

(54) **HEADPHONE**

(75) Inventors: **Kazushige Miyake**, Tokyo (JP);
Mitsuru Hosoo, Tokyo (JP)

(73) Assignee: **Yamaha Corporation**, Shizuoka (JP)

(**) Term: **14 Years**

(21) Appl. No.: **29/417,286**

(22) Filed: **Apr. 2, 2012**

(30) **Foreign Application Priority Data**

Dec. 28, 2011 (JP) 2011-030493

(51) **LOC (9) Cl.** **14-01**

(52) **U.S. Cl.**
USPC **D14/205**

(58) **Field of Classification Search**
USPC D14/205, 206, 223; D29/112; 181/129,
181/130, 135; 379/430, 431; 381/380, 381;
455/90.3, 575.1

See application file for complete search history.

(56) **References Cited**

U.S. PATENT DOCUMENTS

D351,172 S	*	10/1994	Nakamura et al.	D14/205
D512,981 S	*	12/2005	Jacobson et al.	D14/205
D552,077 S	*	10/2007	Brunner et al.	D14/205
D603,371 S	*	11/2009	Boateng et al.	D14/205
D625,705 S	*	10/2010	Ohori et al.	D14/205
D632,668 S	*	2/2011	Brunner et al.	D14/205
D652,406 S		1/2012	Lee et al.		
D657,344 S	*	4/2012	Brunner et al.	D14/205
D660,823 S	*	5/2012	Hardi et al.	D14/205
D660,824 S	*	5/2012	Hardi et al.	D14/205
D663,716 S	*	7/2012	Hardi et al.	D14/205

D664,117 S		7/2012	Tappeiner et al.		
D666,991 S	*	9/2012	Lee et al.	D14/205
D669,451 S		10/2012	Tappeiner et al.		

FOREIGN PATENT DOCUMENTS

JP	D948267 S	3/1996
JP	D1059025 S	1/2000
JP	D1074973 S	6/2000
JP	D1083886 S	9/2000
JP	D1084069 S	9/2000
JP	D1352178 S	3/2009
JP	D1382922 S	3/2010
JP	D1396702 S	9/2010
JP	D1398291 S	10/2010
JP	D1406347 S	1/2011
JP	1454833 S	11/2012

* cited by examiner

Primary Examiner — Paula Greene

(74) *Attorney, Agent, or Firm* — Sughrue Mion, PLLC

(57) **CLAIM**

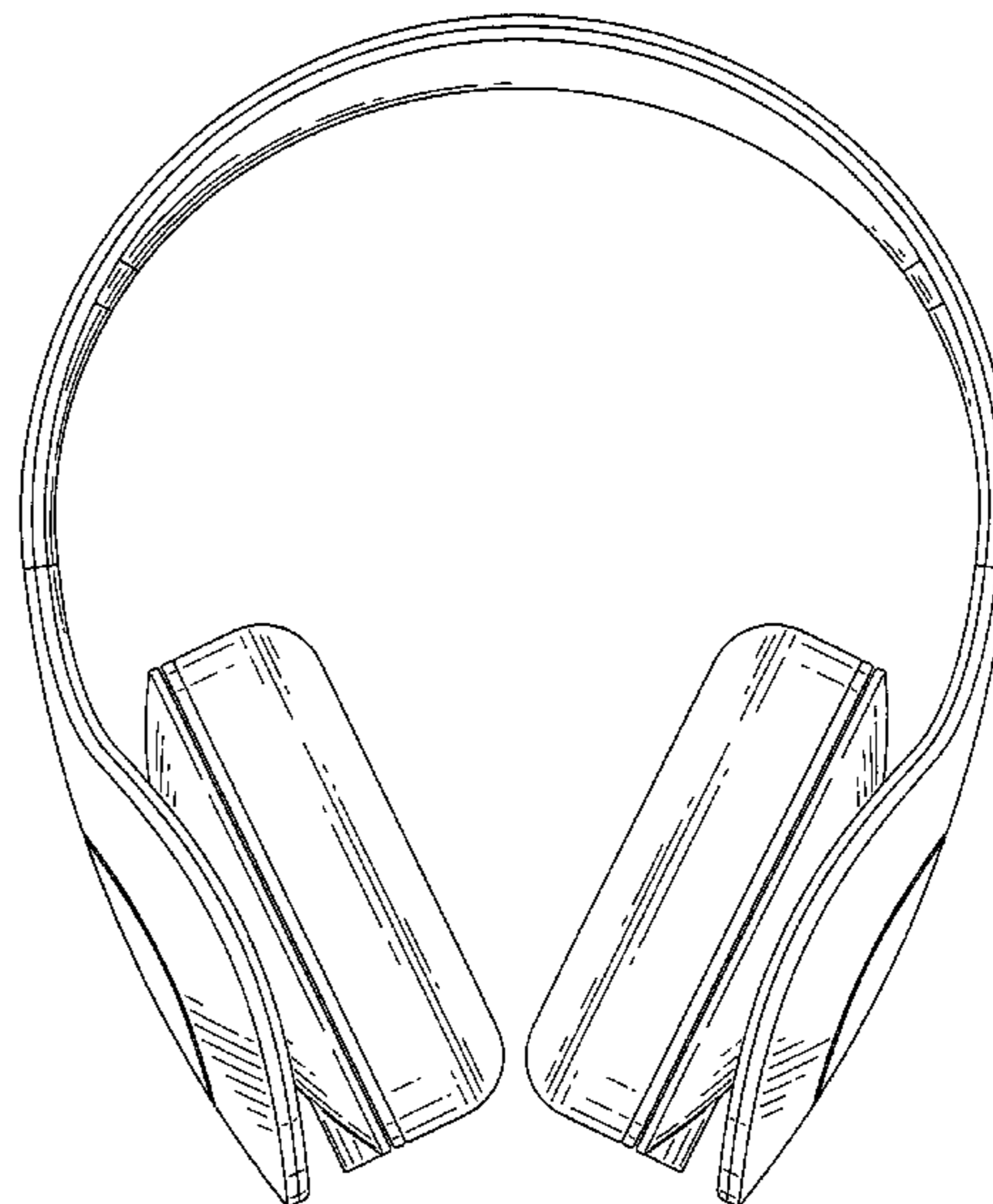
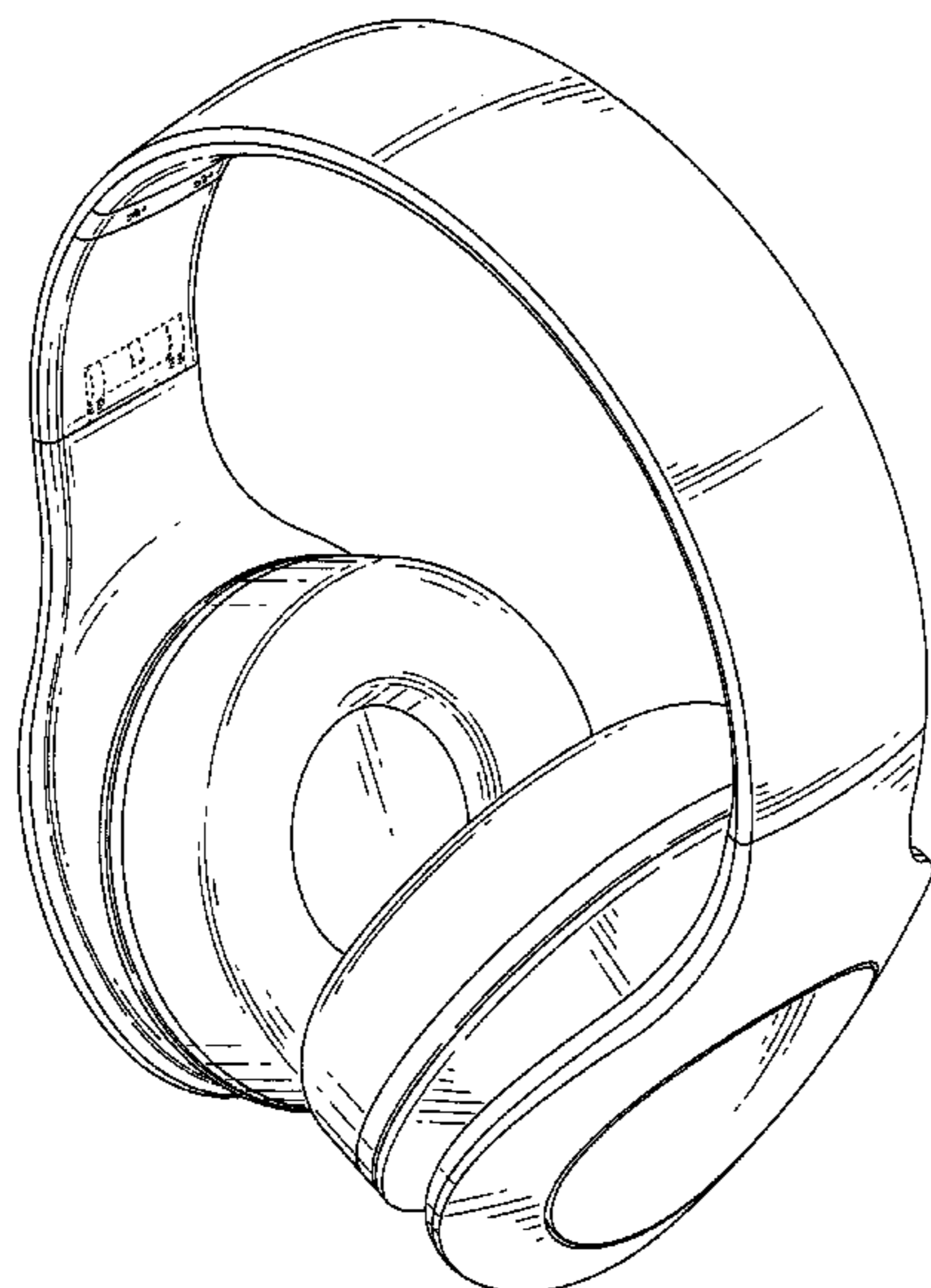
The ornamental design for a headphone, as shown and described.

DESCRIPTION

FIG. 1 is a front perspective view of a headphone showing our new design, the opposite perspective view is a mirror image; FIG. 2 is a front view thereof, the rear being a mirror image; FIG. 3 is a right side view thereof, the left side being a mirror image; FIG. 4 is a top plan view thereof; and, FIG. 5 is a bottom view thereof.

The broken line showing of the headphone is included for the purpose of illustrating portions of the headphone and forms no part of the claimed design.

1 Claim, 4 Drawing Sheets



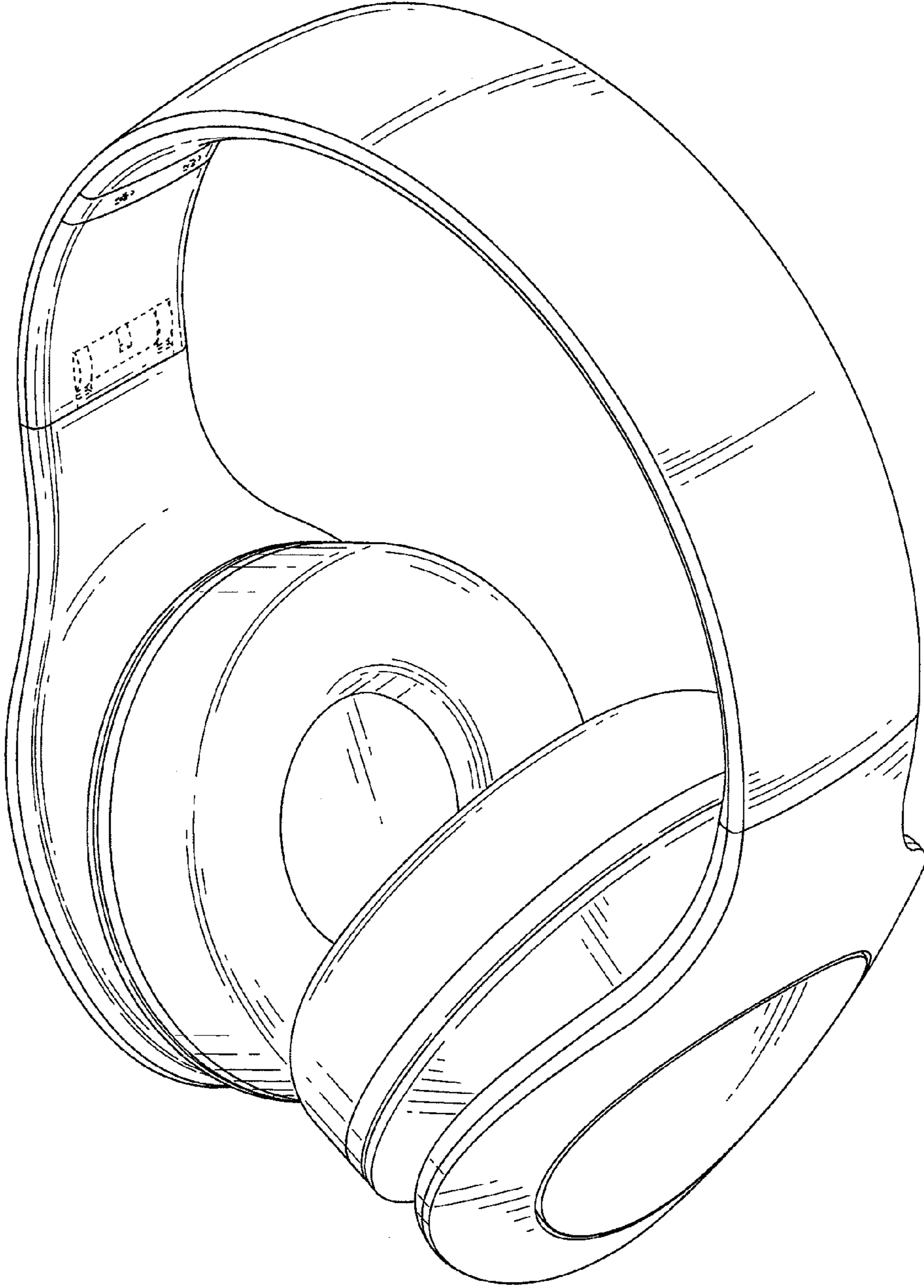


FIG. 1



FIG. 2

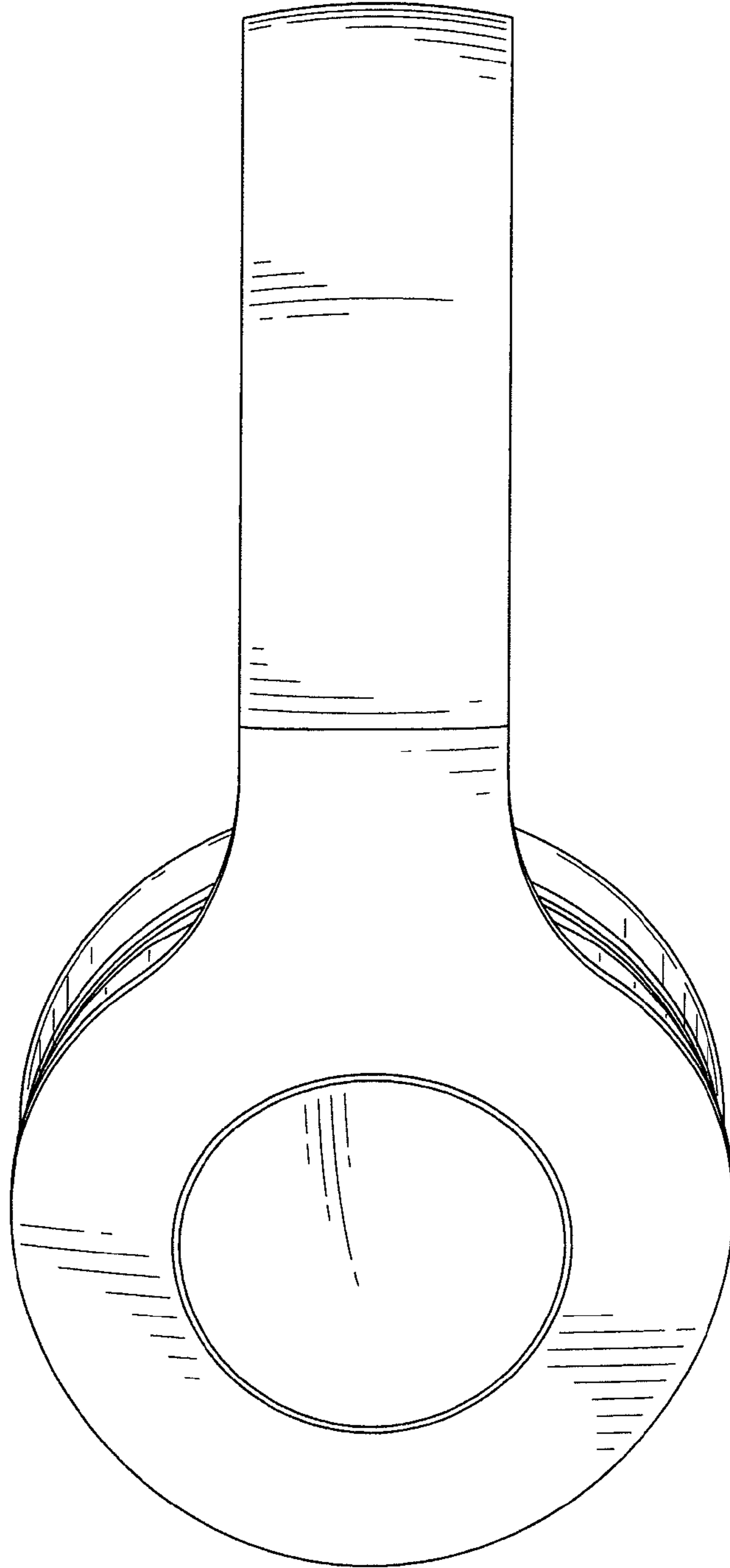


FIG. 3

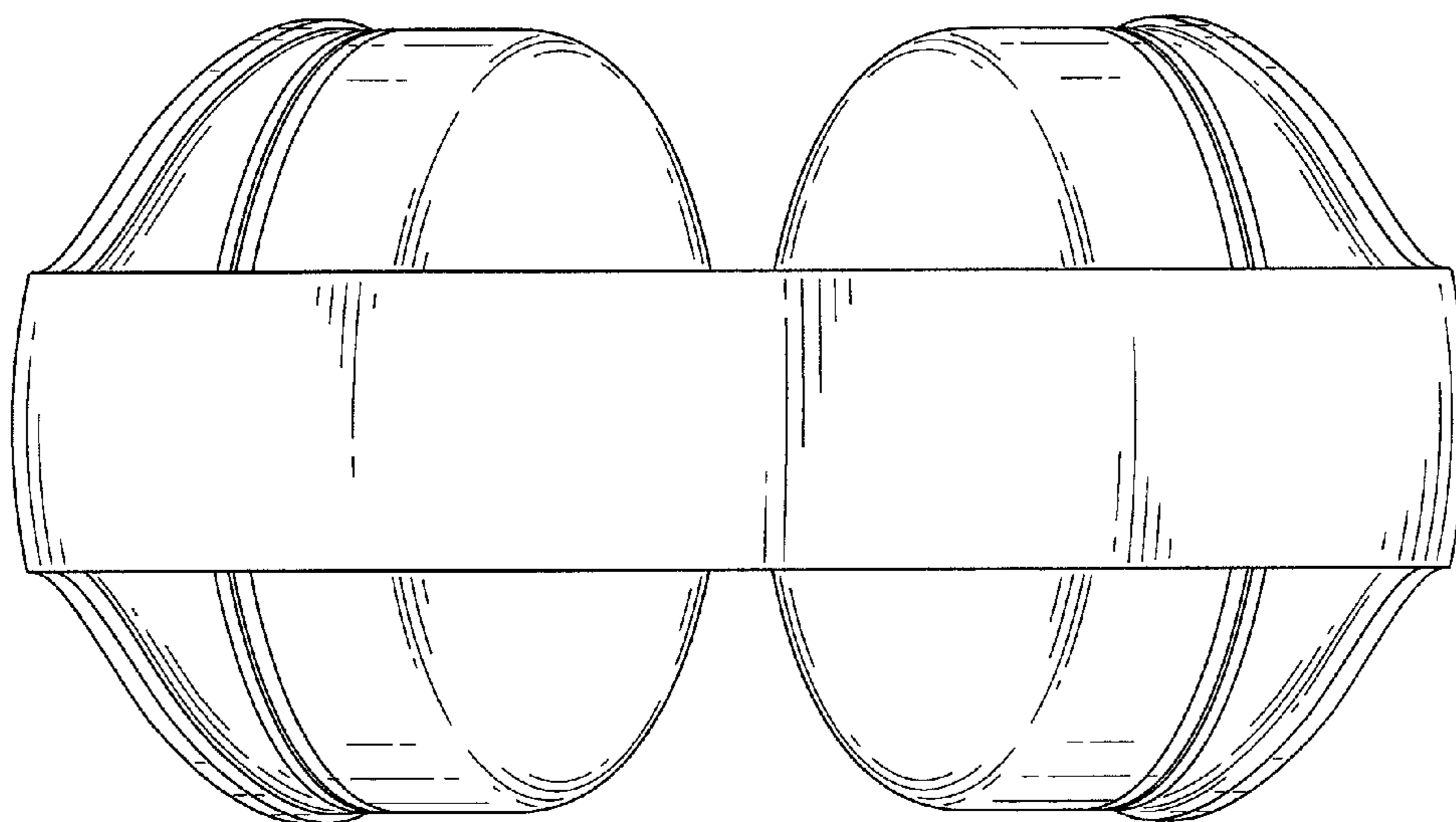


FIG. 4

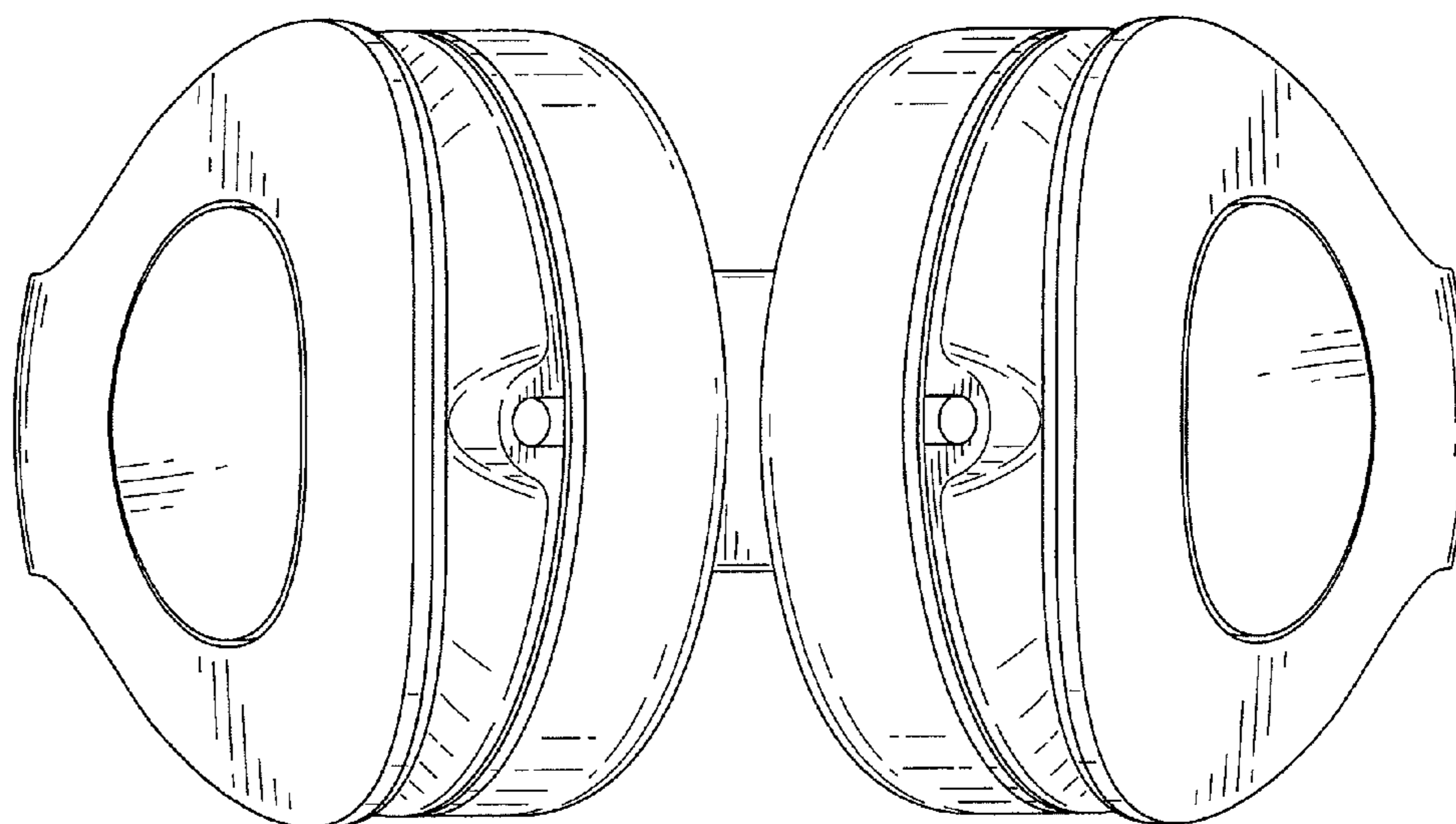


FIG. 5