



US00D684138S

(12) **United States Design Patent**
Groset et al.

(10) **Patent No.:** **US D684,138 S**
(45) **Date of Patent:** **** Jun. 11, 2013**

(54) **ZIPPERED HEADPHONE**
(75) Inventors: **Erik Groset**, Carlsbad, CA (US); **Justin Liu**, San Diego, CA (US); **Michael Klasco**, Richmond, CA (US); **Robin DeFay**, Poway, CA (US)

(73) Assignee: **Zipbuds, LLC**, San Diego, CA (US)

(**) Term: **14 Years**

(21) Appl. No.: **29/416,060**

(22) Filed: **Mar. 16, 2012**

Related U.S. Application Data

(63) Continuation-in-part of application No. 13/289,830, filed on Nov. 4, 2011, which is a continuation-in-part of application No. 12/941,943, filed on Nov. 8, 2010.

(51) **LOC (9) Cl.** **14-01**

(52) **U.S. Cl.**
USPC **D14/205**

(58) **Field of Classification Search**
USPC D14/205; 181/129, 130, 135; 379/430, 379/431; 381/380, 381; 455/90.3, 575.1, 455/575.2

See application file for complete search history.

(56) **References Cited**

U.S. PATENT DOCUMENTS

2,896,217	A	7/1959	Cedarstaff	
3,272,926	A *	9/1966	Falkenberg	381/372
3,454,964	A *	7/1969	Brinkhoff	2/209
D231,613	S	5/1974	Sarber	
4,160,306	A	7/1979	Pizzoccaro	
D270,634	S	9/1983	Ungar	
D301,145	S *	5/1989	Besasio et al.	D14/205
4,829,571	A *	5/1989	Kakiuchi et al.	381/309
D337,115	S *	7/1993	Yamazaki et al.	D14/205
D353,817	S *	12/1994	Wada	D14/205
D353,818	S *	12/1994	Nakamura	D14/205

5,406,037	A *	4/1995	Nageno et al.	181/129
D391,573	S *	3/1998	Nakamura	D14/205
D420,356	S *	2/2000	Suzuki	D14/205
D431,550	S *	10/2000	Yoneda	D14/205
D469,753	S	2/2003	Andre et al.	
6,946,047	B2	9/2005	Cao	
D514,087	S *	1/2006	Wilson et al.	D14/206
D538,261	S *	3/2007	Taylor et al.	D14/205
D541,255	S *	4/2007	Taylor et al.	D14/205
D546,321	S	7/2007	Kim	
D569,841	S	5/2008	Chung et al.	
D573,581	S *	7/2008	Gondo et al.	D14/205

(Continued)

FOREIGN PATENT DOCUMENTS

CN	201528413	U	7/2010
EP	1509062	A1	2/2005

(Continued)

Primary Examiner — Paula Greene

(74) *Attorney, Agent, or Firm* — Mintz Levin Cohn Ferris Glovsky and Popeo, P.C.

(57) **CLAIM**

The ornamental design for a zippered headphone, as shown and described.

DESCRIPTION

This application claims priority to application Ser. No. 29/416,055, and application Ser. No. 29/416,058, the contents of which are incorporated by reference herein in their entireties.

FIG. 1 is a front perspective view of zippered headphone showing our new design, the opposite perspective view is a mirror image, the cord is drawn broken away for indeterminate length;

FIG. 2 is a front view thereof;

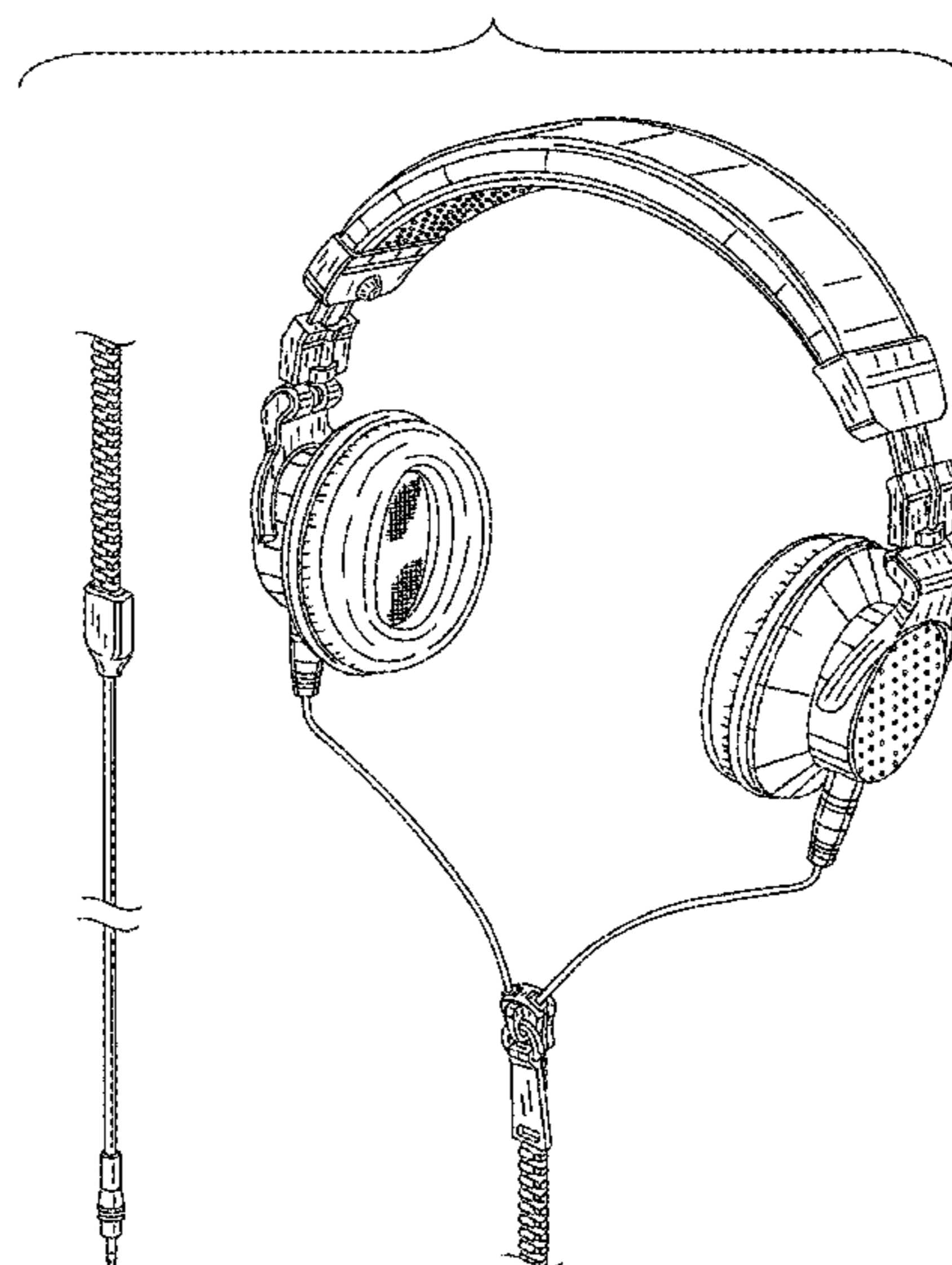
FIG. 3 is a back side view thereof;

FIG. 4 is a side view thereof;

FIG. 5 is a top view thereof; and,

FIG. 6 is a bottom view thereof.

1 Claim, 6 Drawing Sheets



US D684,138 S

Page 2

U.S. PATENT DOCUMENTS

D578,507 S 10/2008 Ando
D581,394 S * 11/2008 Lee D14/205
7,450,014 B2 11/2008 Farhadian
D585,871 S * 2/2009 Lee D14/205
D585,872 S * 2/2009 Lee D14/205
D589,491 S 3/2009 Andre et al.
D591,264 S 4/2009 Hong et al.
D594,847 S * 6/2009 Suzuki D14/205
D596,690 S 7/2009 Bennett
D598,010 S 8/2009 Matsuda et al.
D599,778 S 9/2009 Ando
D605,628 S 12/2009 Ando
D607,875 S 1/2010 Pedersen, II
D614,168 S 4/2010 Rogers et al.
D637,756 S 5/2011 Okano et al.
D637,999 S 5/2011 Brunner et al.
D639,775 S * 6/2011 Horibe et al. D14/205

D642,554 S * 8/2011 Schaal et al. D14/205
D643,414 S 8/2011 Lee et al.
D649,956 S * 12/2011 Gresko et al. D14/205
D652,407 S * 1/2012 Groset et al. D14/205
D662,080 S * 6/2012 Carr et al. D14/205
2005/0069147 A1 3/2005 Pedersen
2007/0081690 A1 4/2007 Stagni et al.
2011/0162883 A1 7/2011 Groset et al.

FOREIGN PATENT DOCUMENTS

JP 07-115022 A 5/1995
JP 2004056636 A 2/2004
JP 2004-211225 A 7/2004
JP 2006-527934 A 12/2006
JP 3132983 U 6/2007
WO WO2004/112359 12/2004
WO WO-2009030578 A1 3/2009

* cited by examiner

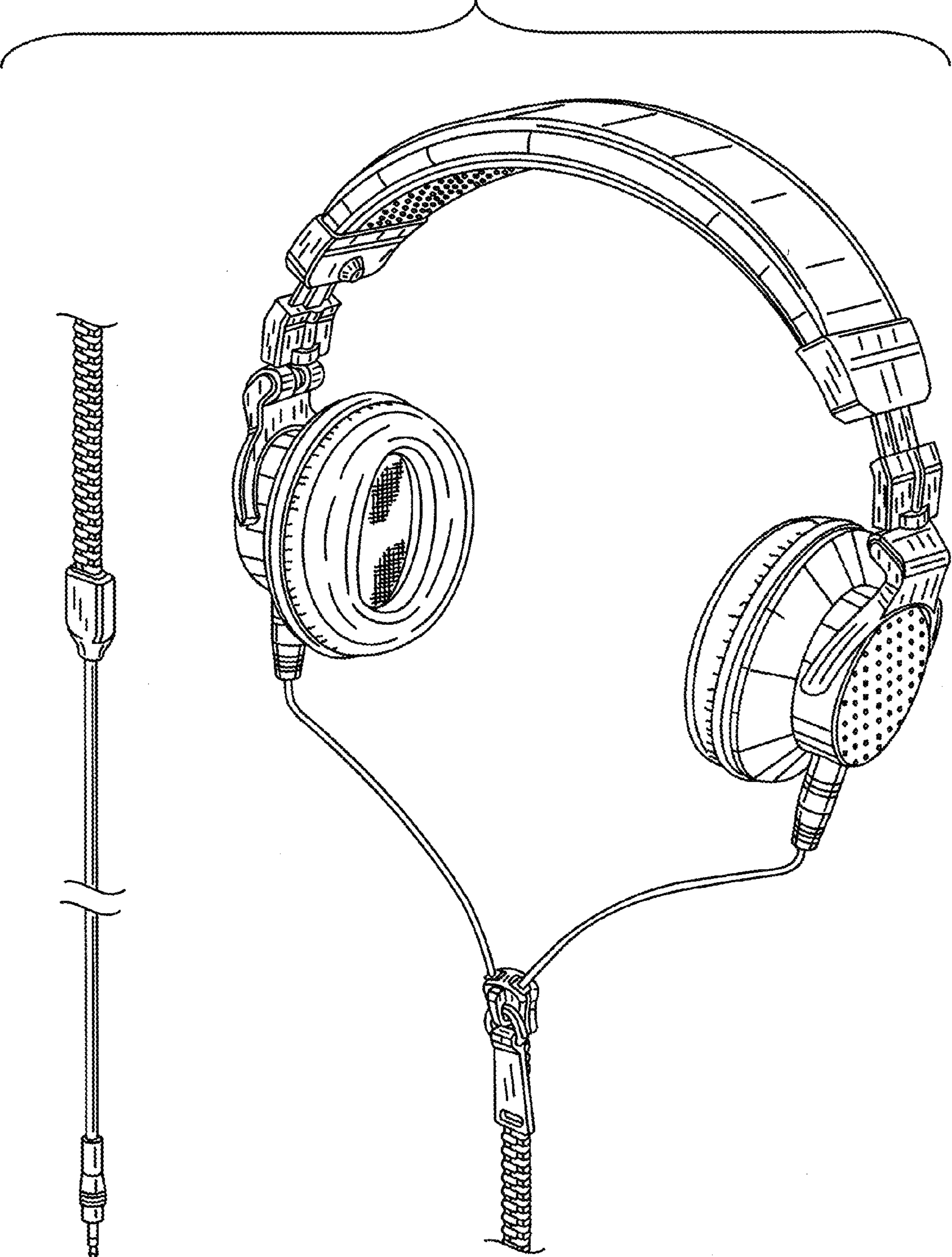


FIG. 1

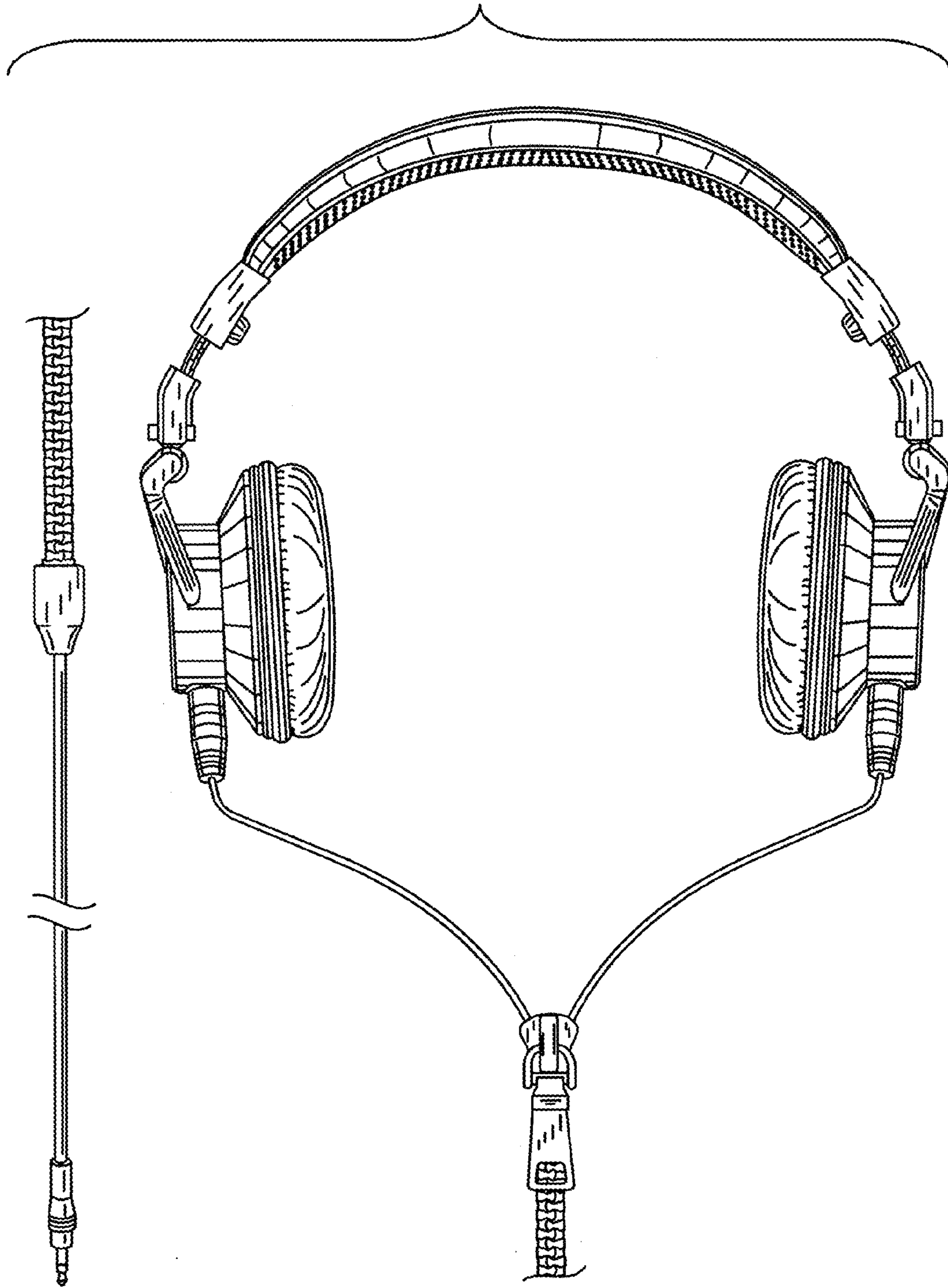


FIG. 2

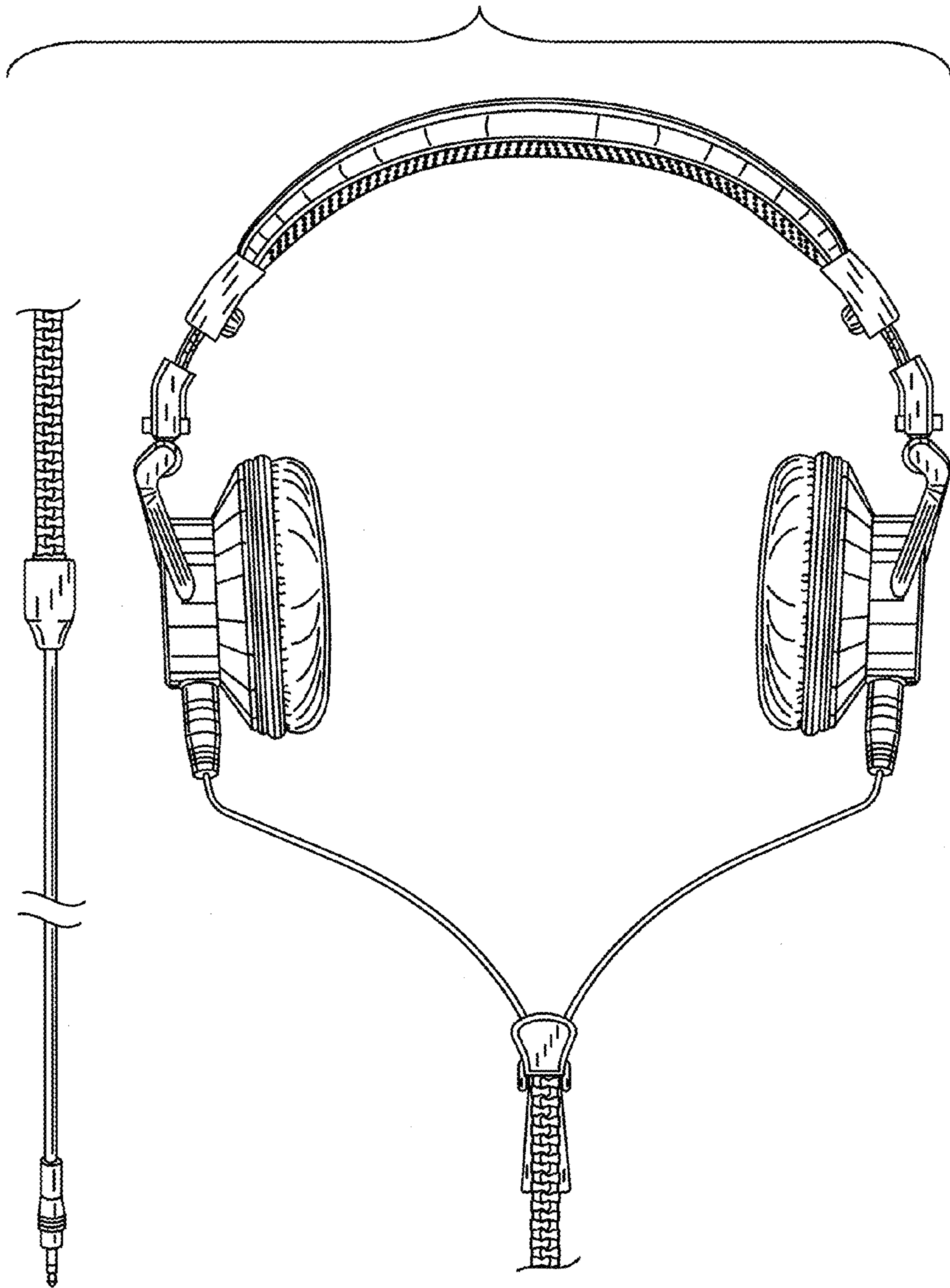


FIG. 3

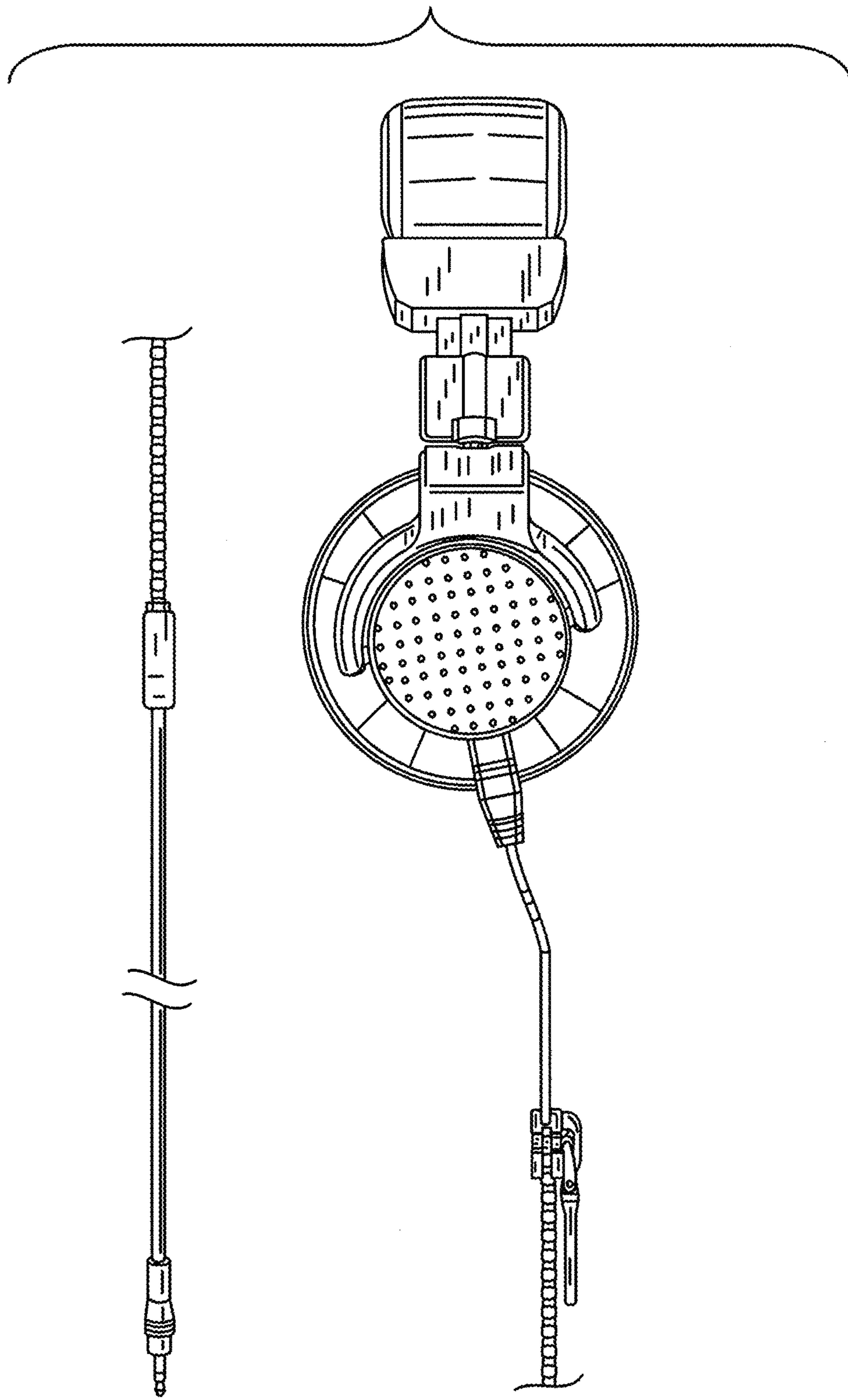


FIG. 4

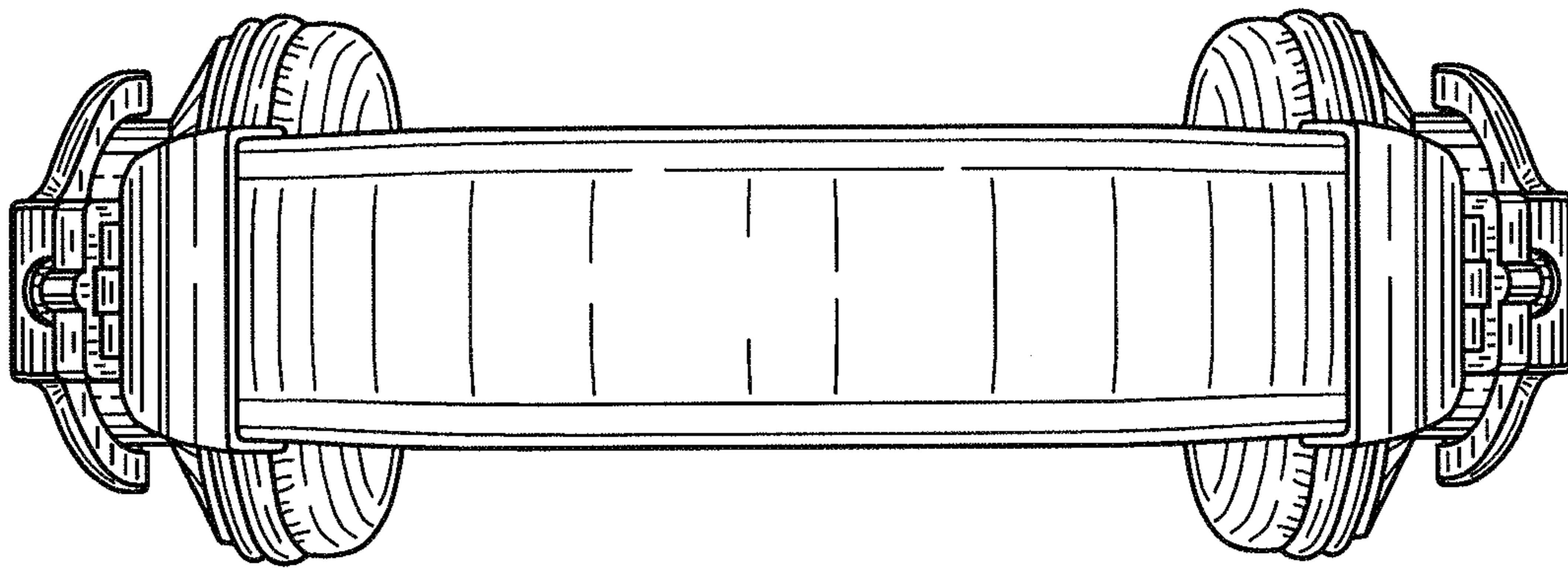


FIG. 5

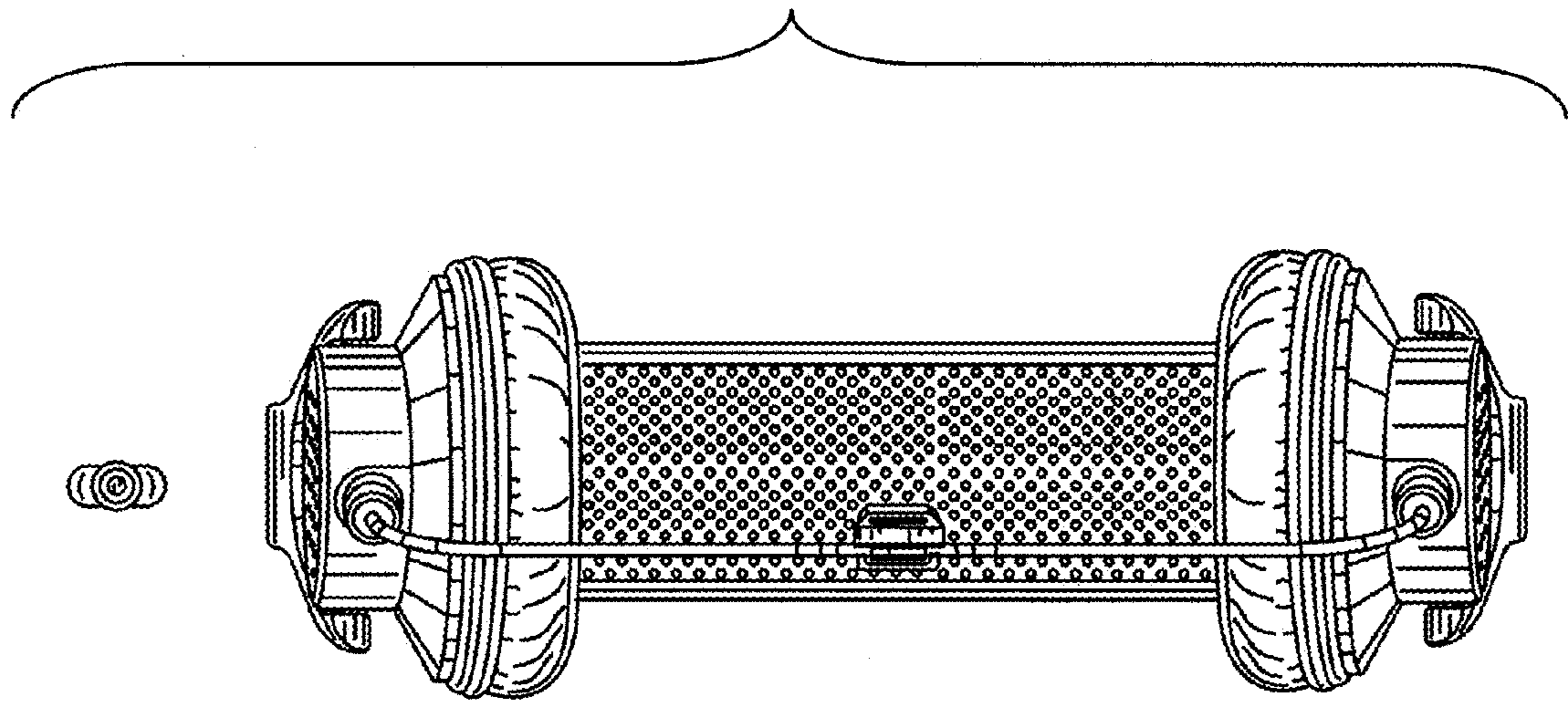


FIG. 6