



US00D684137S

(12) **United States Design Patent**
Groset et al.

(10) **Patent No.:** **US D684,137 S**
(45) **Date of Patent:** **** Jun. 11, 2013**

(54) **ZIPPERED HEADPHONE**
(75) Inventors: **Erik Groset**, Carlsbad, CA (US); **Justin Liu**, San Diego, CA (US); **Michael Klasco**, Richmond, CA (US); **Robin DeFay**, Poway, CA (US)
(73) Assignee: **Zipbuds, LLC**, San Diego, CA (US)
(**) Term: **14 Years**

D337,115 S * 7/1993 Yamazaki et al. D14/205
D353,817 S * 12/1994 Wada D14/205
D353,818 S * 12/1994 Nakamura D14/205
5,406,037 A * 4/1995 Nageno et al. 181/129
D391,573 S * 3/1998 Nakamura D14/205
6,006,115 A * 12/1999 Wingate 455/575.2
D420,356 S * 2/2000 Suzuki D14/205
D430,140 S * 8/2000 Roman D14/205
D431,550 S * 10/2000 Yoneda D14/205
D469,753 S 2/2003 Andre et al.
6,946,047 B2 9/2005 Cao

(Continued)

(21) Appl. No.: **29/416,055**

FOREIGN PATENT DOCUMENTS

(22) Filed: **Mar. 16, 2012**

CN 201528413 U 7/2010
EP 1509062 A1 2/2005

(Continued)

Related U.S. Application Data

(63) Continuation-in-part of application No. 13/289,830, filed on Nov. 4, 2011, which is a continuation-in-part of application No. 12/941,943, filed on Nov. 8, 2010.

Primary Examiner — Paula Greene

(74) *Attorney, Agent, or Firm* — Mintz Levin Cohn Ferris Glovsky and Popeo, P.C.

(51) **LOC (9) Cl.** **14-01**

(52) **U.S. Cl.**
USPC **D14/205**

(58) **Field of Classification Search**
USPC D14/205; 181/129, 130, 135; 379/430, 379/431; 381/380, 381; 455/90.3, 575.1, 455/575.2
See application file for complete search history.

(57) **CLAIM**

The ornamental design for a zippered headphone, as shown and described.

DESCRIPTION

This application claims priority to application Ser. No. 29/416,058 (filing concurrently herewith), and application Ser. No. 29/416,060 (filing concurrently herewith), the contents of which are incorporated by reference herein in their entireties.

FIG. 1 is a front perspective view of zippered headphone showing our new design, the opposite perspective view is a mirror image, the cord is drawn broken away for indeterminate length;

FIG. 2 is a front view thereof;

FIG. 3 is a back side view thereof;

FIG. 4 is a side view thereof;

FIG. 5 is a top view thereof; and,

FIG. 6 is a bottom view thereof.

1 Claim, 6 Drawing Sheets

(56) **References Cited**

U.S. PATENT DOCUMENTS

2,896,217 A 7/1959 Cedarstaff
D203,677 S * 2/1966 Spillman D14/205
3,272,926 A * 9/1966 Falkenberg 381/372
3,454,964 A * 7/1969 Brinkhoff 2/209
3,505,684 A * 4/1970 Hutchinson et al. 2/209
D228,352 S * 9/1973 Itagaki D14/205
D231,613 S 5/1974 Sarber
3,810,525 A * 5/1974 Crenna 181/129
4,160,306 A 7/1979 Pizzoccaro
D270,634 S * 9/1983 Ungar D14/205
D301,145 S * 5/1989 Besasie et al. D14/205
4,829,571 A * 5/1989 Kakiuchi et al. 381/309



US D684,137 S0

Page 2

U.S. PATENT DOCUMENTS

D514,087 S * 1/2006 Wilson et al. D14/206
D538,261 S * 3/2007 Taylor et al. D14/205
D541,255 S * 4/2007 Taylor et al. D14/205
D546,321 S 7/2007 Kim
D569,841 S 5/2008 Chung et al.
D573,581 S * 7/2008 Gondo et al. D14/205
D578,507 S 10/2008 Ando
D581,394 S * 11/2008 Lee D14/205
7,450,014 B2 11/2008 Farhadian
D585,871 S * 2/2009 Lee D14/205
D585,872 S * 2/2009 Lee D14/205
D589,491 S 3/2009 Andre et al.
D591,264 S 4/2009 Hong et al.
D594,847 S * 6/2009 Suzuki D14/205
D596,690 S 7/2009 Bennett
D598,010 S 8/2009 Matsuda et al.
D599,778 S 9/2009 Ando
D605,628 S 12/2009 Ando
D607,875 S 1/2010 Pedersen, II
D614,168 S 4/2010 Rogers et al.

D637,756 S 5/2011 Okano et al.
D637,999 S 5/2011 Brunner et al.
D639,775 S * 6/2011 Horibe et al. D14/205
D642,554 S * 8/2011 Schaal et al. D14/205
D643,414 S 8/2011 Lee et al.
D649,956 S * 12/2011 Gresko et al. D14/205
D652,407 S * 1/2012 Groset et al. D14/205
D662,080 S * 6/2012 Carr et al. D14/205
2005/0069147 A1 3/2005 Pedersen
2007/0081690 A1 4/2007 Stagni et al.
2011/0162883 A1 7/2011 Groset et al.

FOREIGN PATENT DOCUMENTS

JP 07-115022 A 5/1995
JP 2004056636 A 2/2004
JP 2004-211225 A 7/2004
JP 2006-527934 A 12/2006
JP 3132983 U 6/2007
WO WO 2004/112359 12/2004
WO WO-2009030578 A1 3/2009

* cited by examiner



FIG. 1

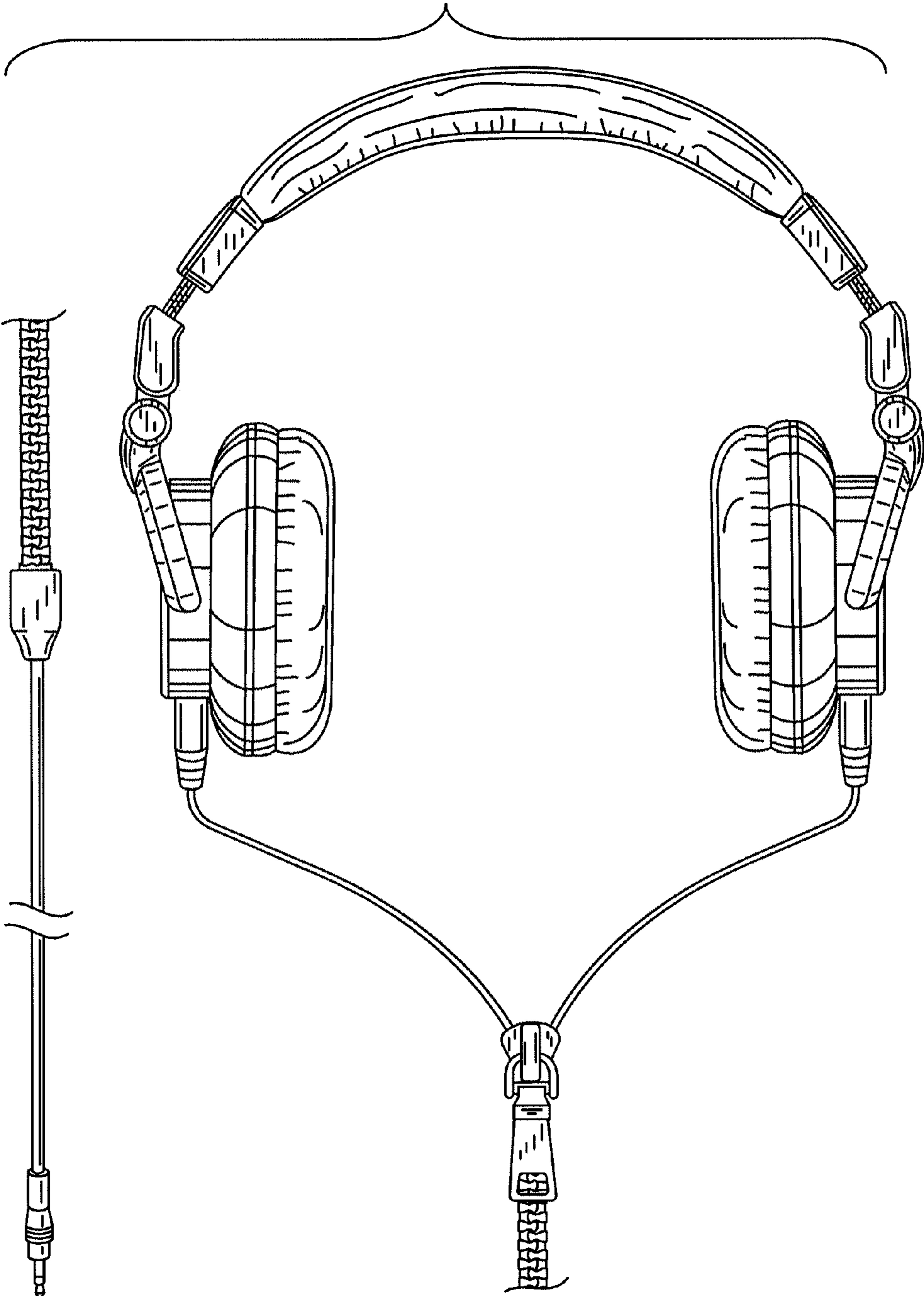


FIG. 2

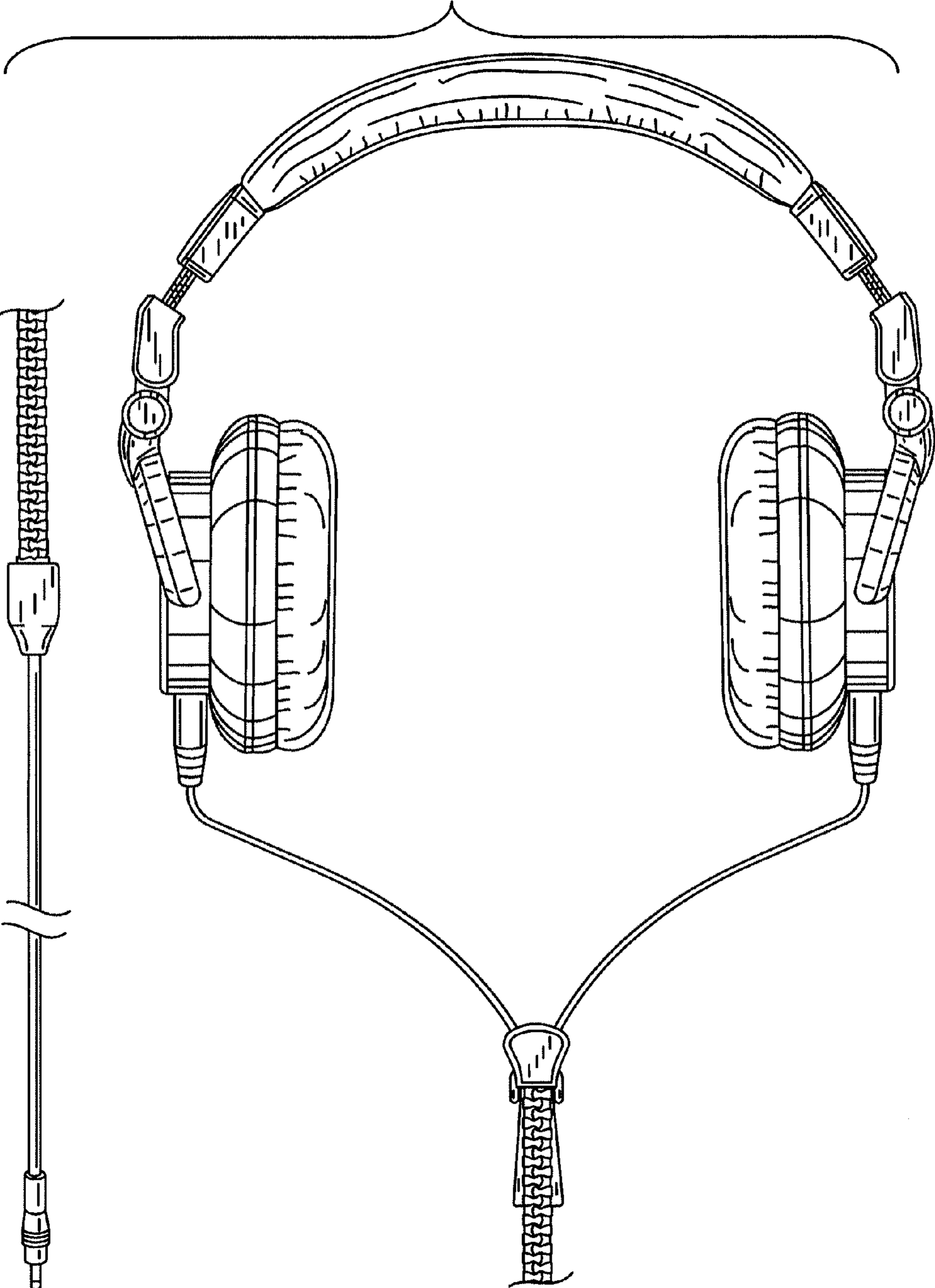


FIG. 3

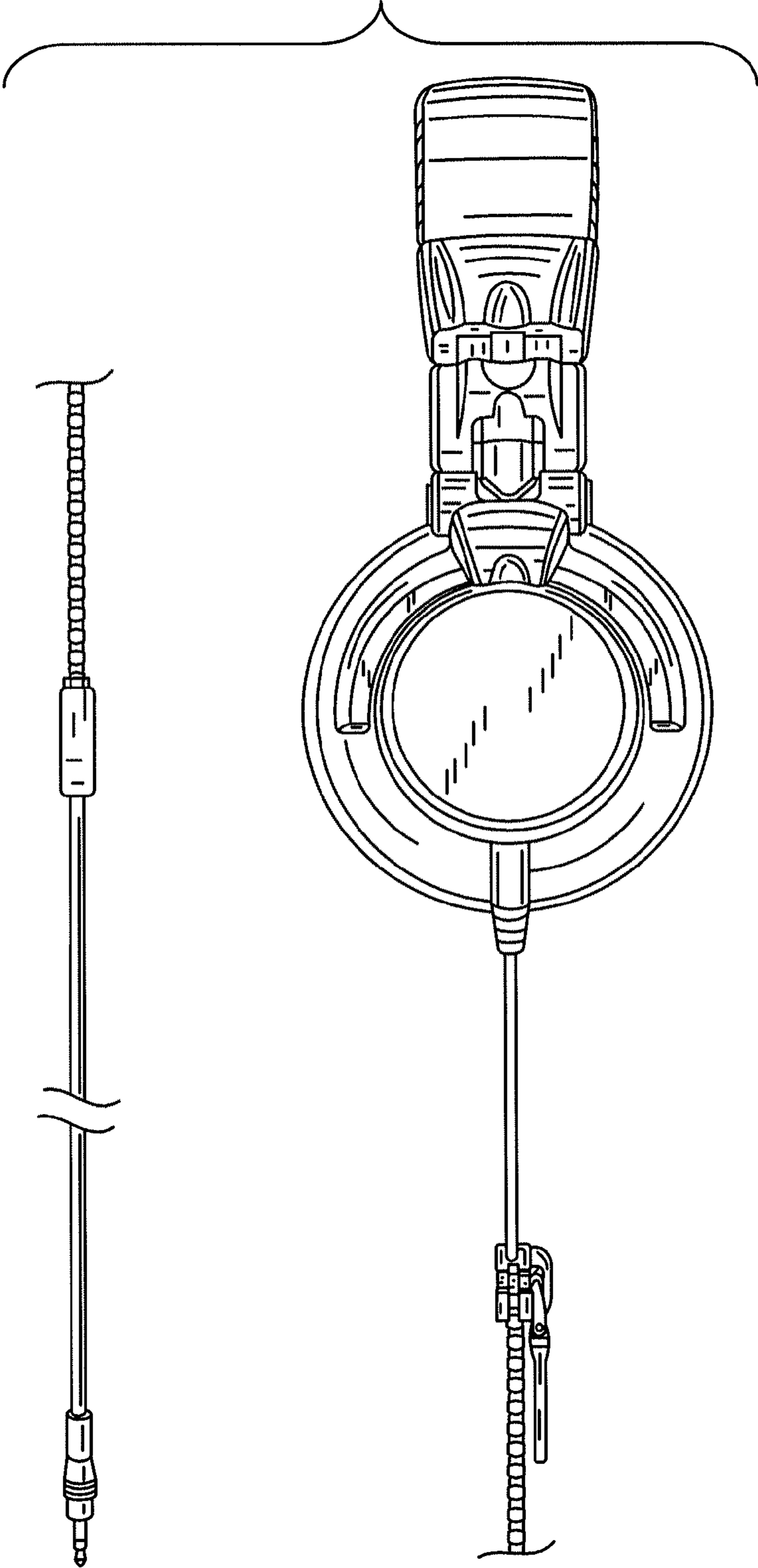


FIG. 4

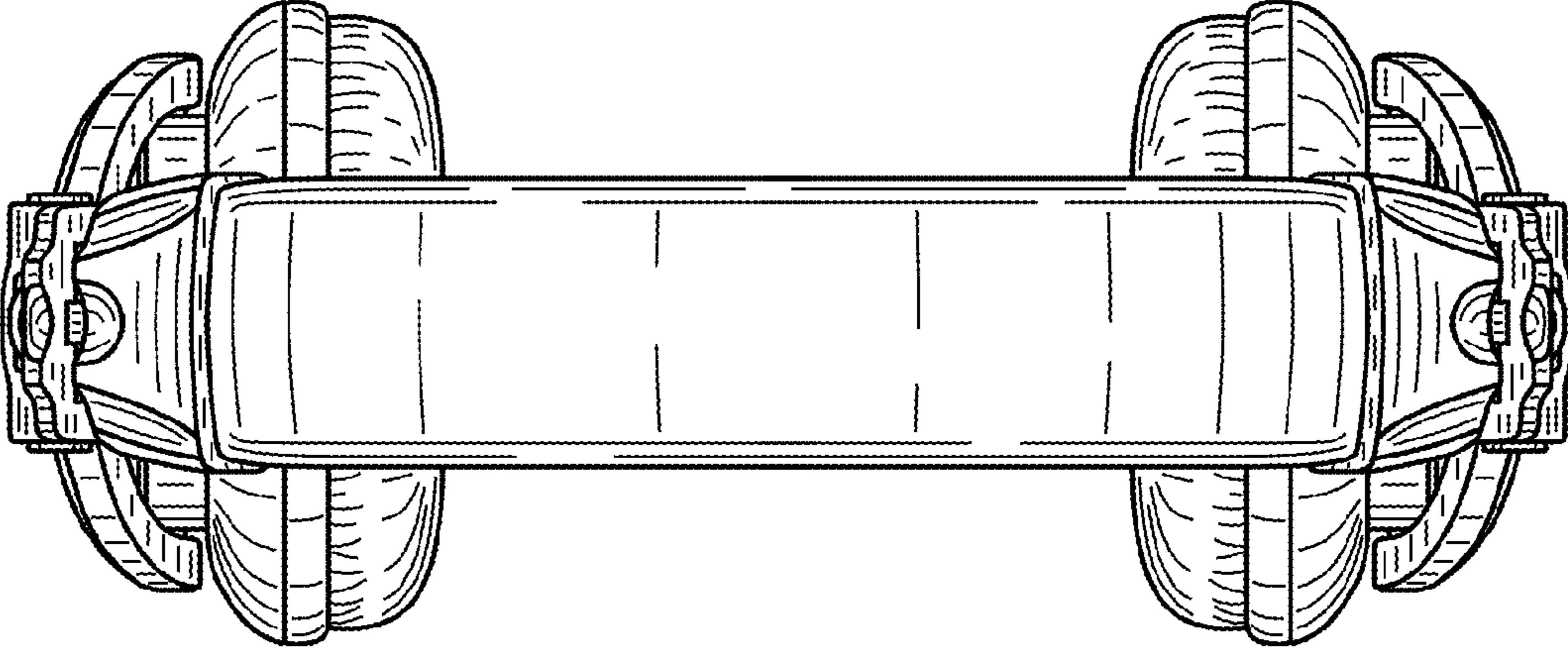


Fig. 5

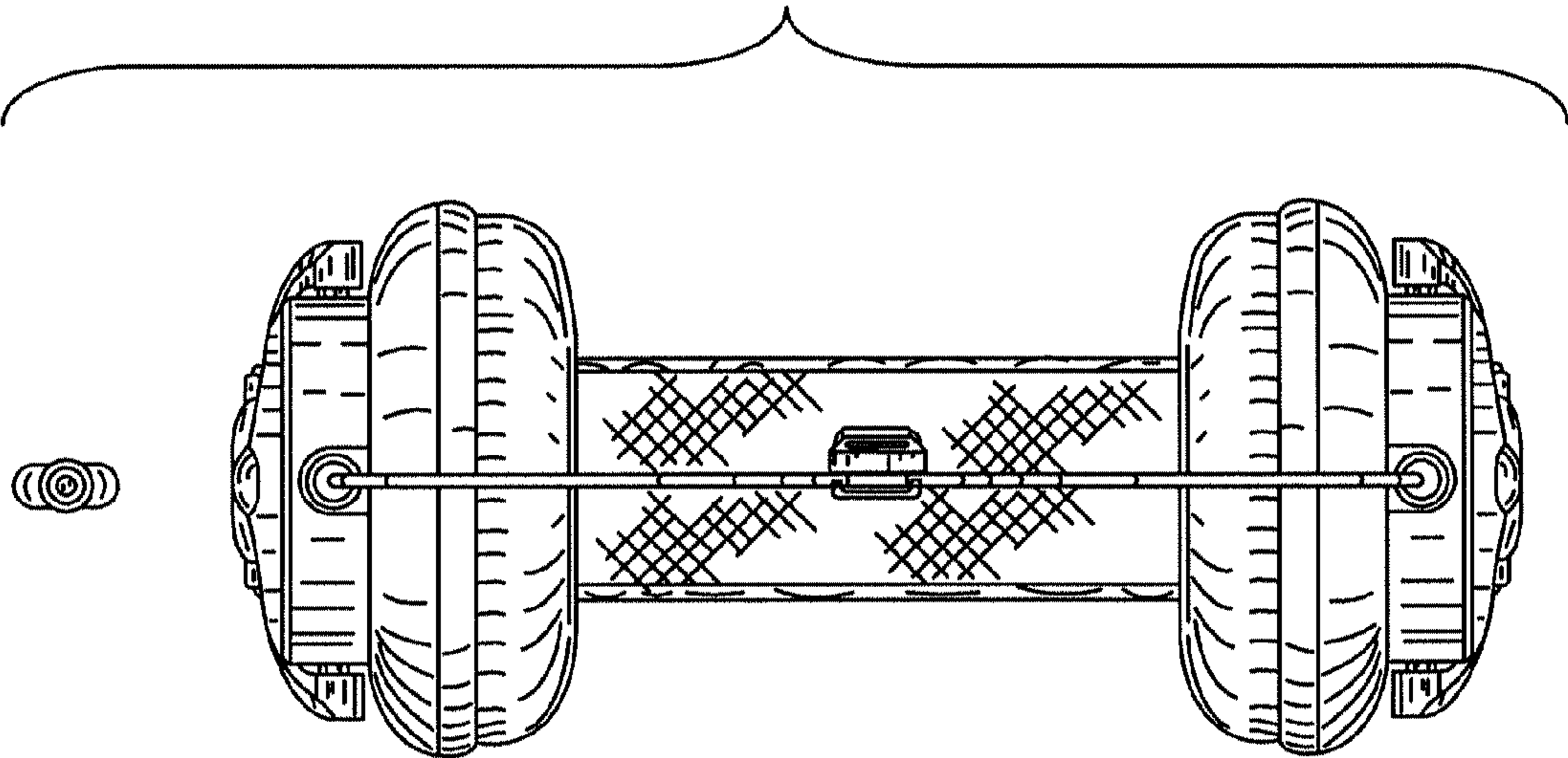


FIG. 6