



US00D684132S

(12) **United States Design Patent**  
**Lee et al.**

(10) **Patent No.:** **US D684,132 S**  
(45) **Date of Patent:** **\*\* Jun. 11, 2013**

(54) **TELEVISION RECEIVER**

(71) Applicant: **LG Electronics Inc.**, Seoul (KR)  
(72) Inventors: **Yongho Lee**, Seoul (KR); **Yeonga Lee**,  
Seoul (KR); **Kyongtae Han**,  
Gyeonggi-do (KR); **Jeongrok Lee**, Seoul  
(KR); **Sangwon Yoon**, Seoul (KR)  
(73) Assignee: **LG Electronics Inc.**, Seoul (KR)  
(\*\*) Term: **14 Years**  
(21) Appl. No.: **29/434,701**  
(22) Filed: **Oct. 16, 2012**

(30) **Foreign Application Priority Data**  
Apr. 17, 2012 (KR) ..... 30-2012-0018026  
(51) **LOC (9) Cl.** ..... **14-03**  
(52) **U.S. Cl.**  
USPC ..... **D14/126**  
(58) **Field of Classification Search**  
USPC .. D14/125-134, 239, 371, 374-377; 312/7.2;  
341/12; 248/917-924; 345/104, 133, 156,  
345/168, 87, 173; 720/605, 669, 600, 655;  
369/99, 197; 455/344, 347; D21/329, 515,  
D21/577, 622, 333, 433, 448, 452, 450, 331;  
D6/477, 479, 300; 273/148 B; 446/484, 175,  
446/356; D10/15, 26

See application file for complete search history.

(56) **References Cited**

U.S. PATENT DOCUMENTS			
D628,172	S	*	11/2010 Chien ..... D14/126
D634,723	S	*	3/2011 Park et al. .... D14/126
D658,612	S	*	5/2012 Won et al. .... D14/126
D661,269	S	*	6/2012 Lee et al. .... D14/126
D661,272	S	*	6/2012 Kim et al. .... D14/126
D663,705	S	*	7/2012 Park et al. .... D14/126
D663,706	S	*	7/2012 Cha et al. .... D14/126
D670,664	S	*	11/2012 Brown ..... D14/126
D671,084	S	*	11/2012 Kim et al. .... D14/126
D671,513	S	*	11/2012 Jang et al. .... D14/126
D675,175	S	*	1/2013 Kim et al. .... D14/126
D677,637	S	*	3/2013 Kubota ..... D14/126
D678,853	S	*	3/2013 Kim et al. .... D14/126

\* cited by examiner

*Primary Examiner* — Raphael Barkai  
(74) *Attorney, Agent, or Firm* — Morgan, Lewis & Bockius  
LLP

(57) **CLAIM**  
The ornamental design for a television receiver, as shown and  
described.

**DESCRIPTION**

FIG. 1 is a perspective view of a television receiver showing  
our new design;  
FIG. 2 is a front view thereof;  
FIG. 3 is a rear view thereof;  
FIG. 4 is a left side view thereof where the right side view is  
a mirror image;  
FIG. 5 is a top plan view thereof; and,  
FIG. 6 is a bottom plan view thereof.

**1 Claim, 5 Drawing Sheets**

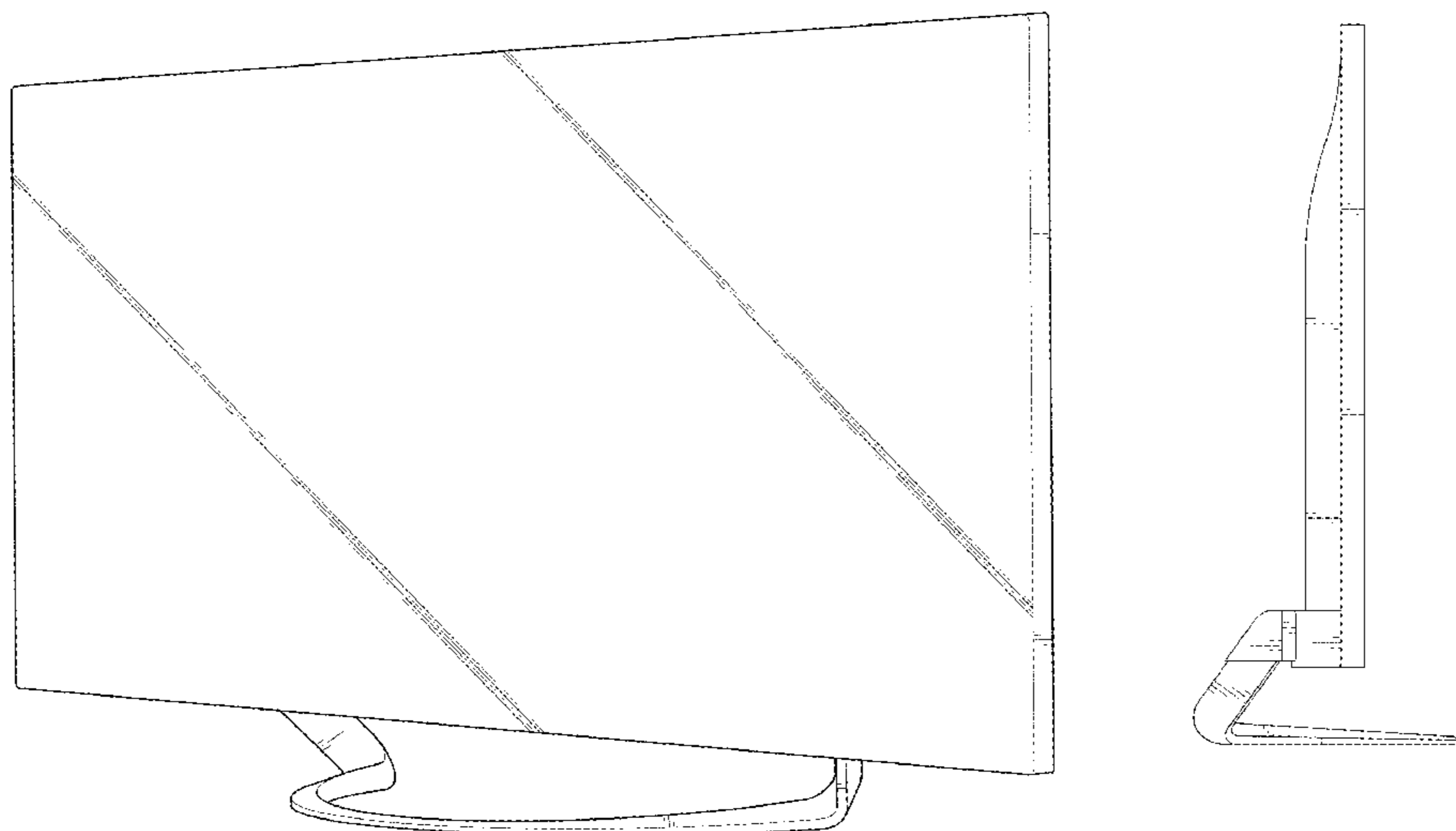


FIG. 1

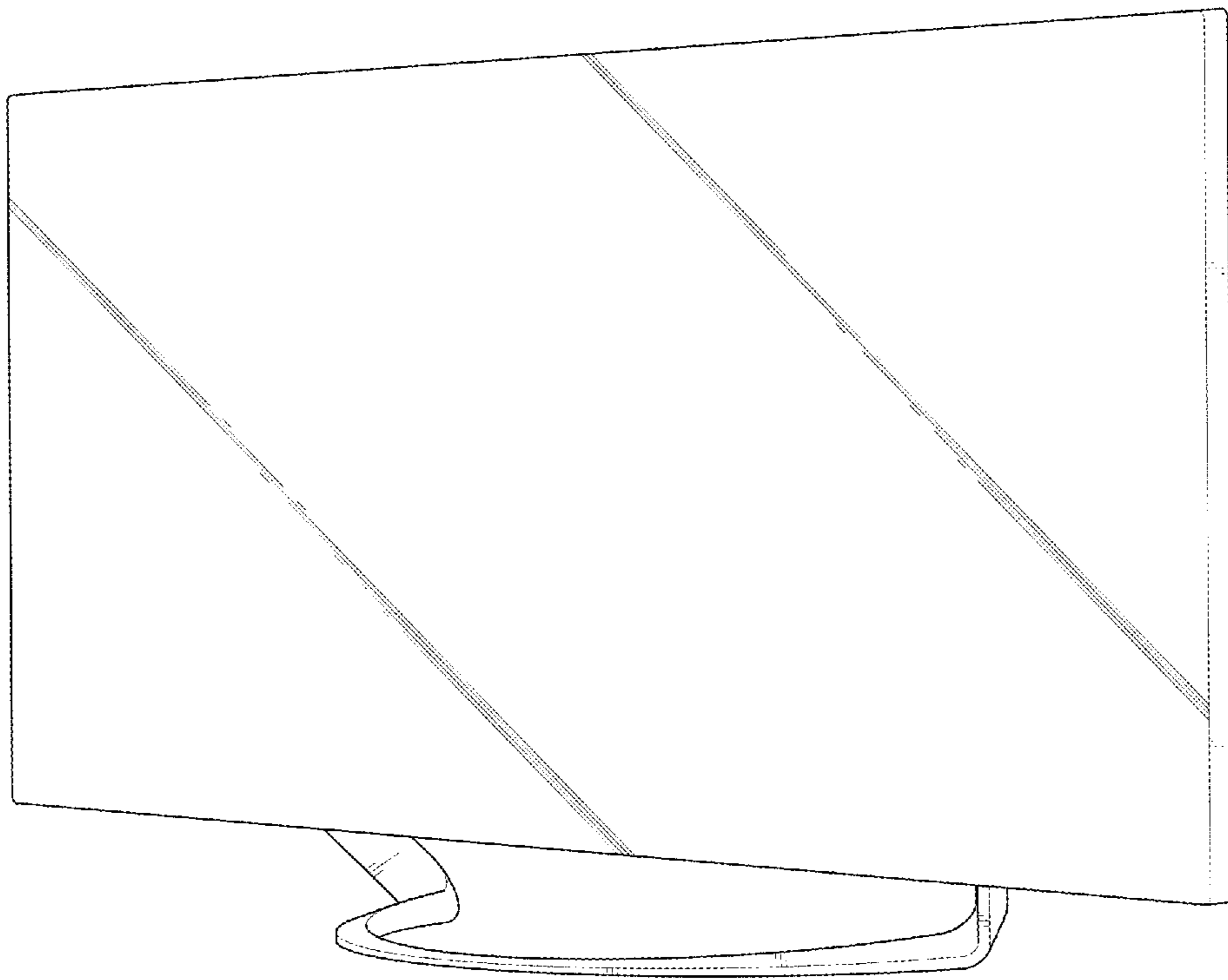


FIG. 2

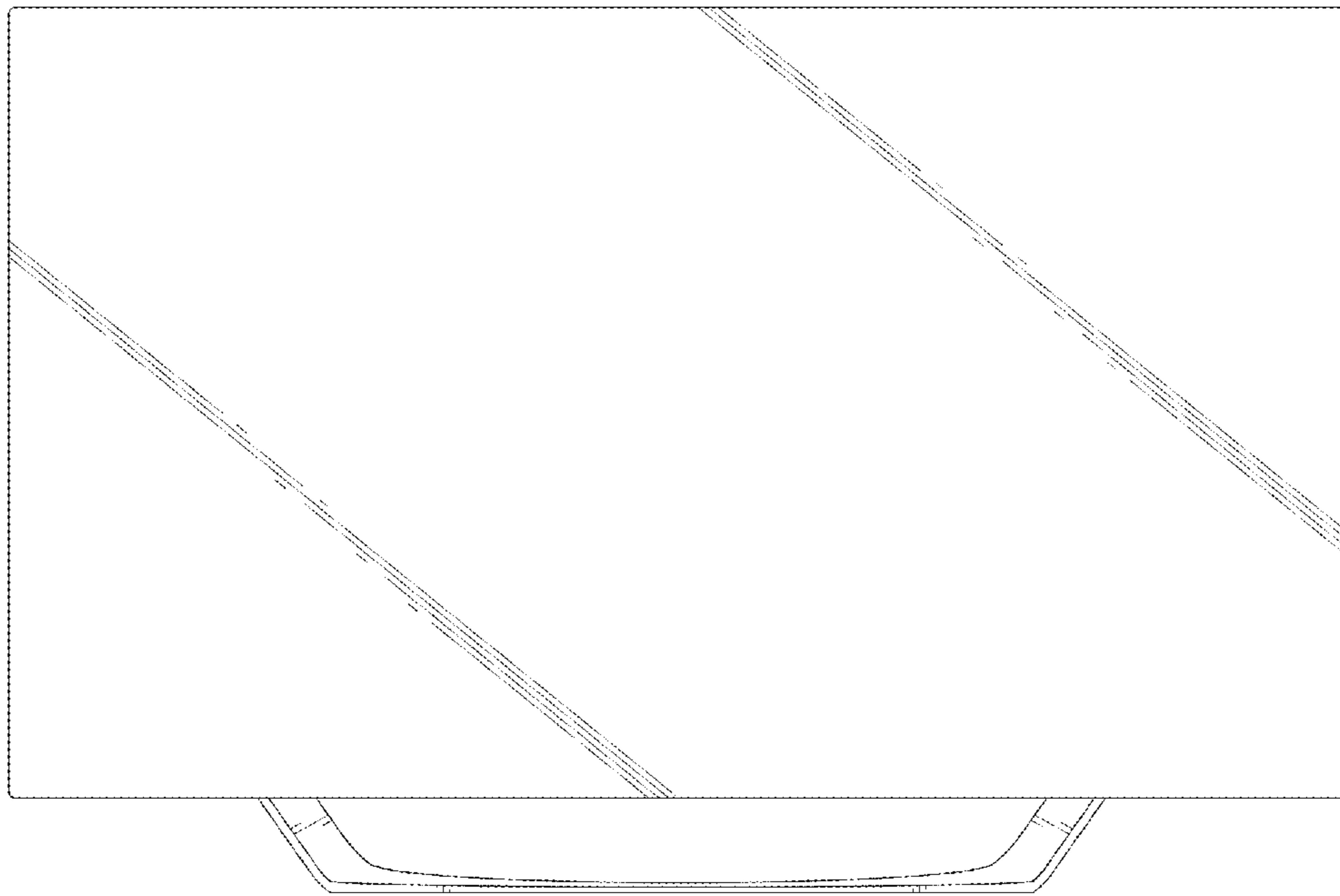


FIG. 3

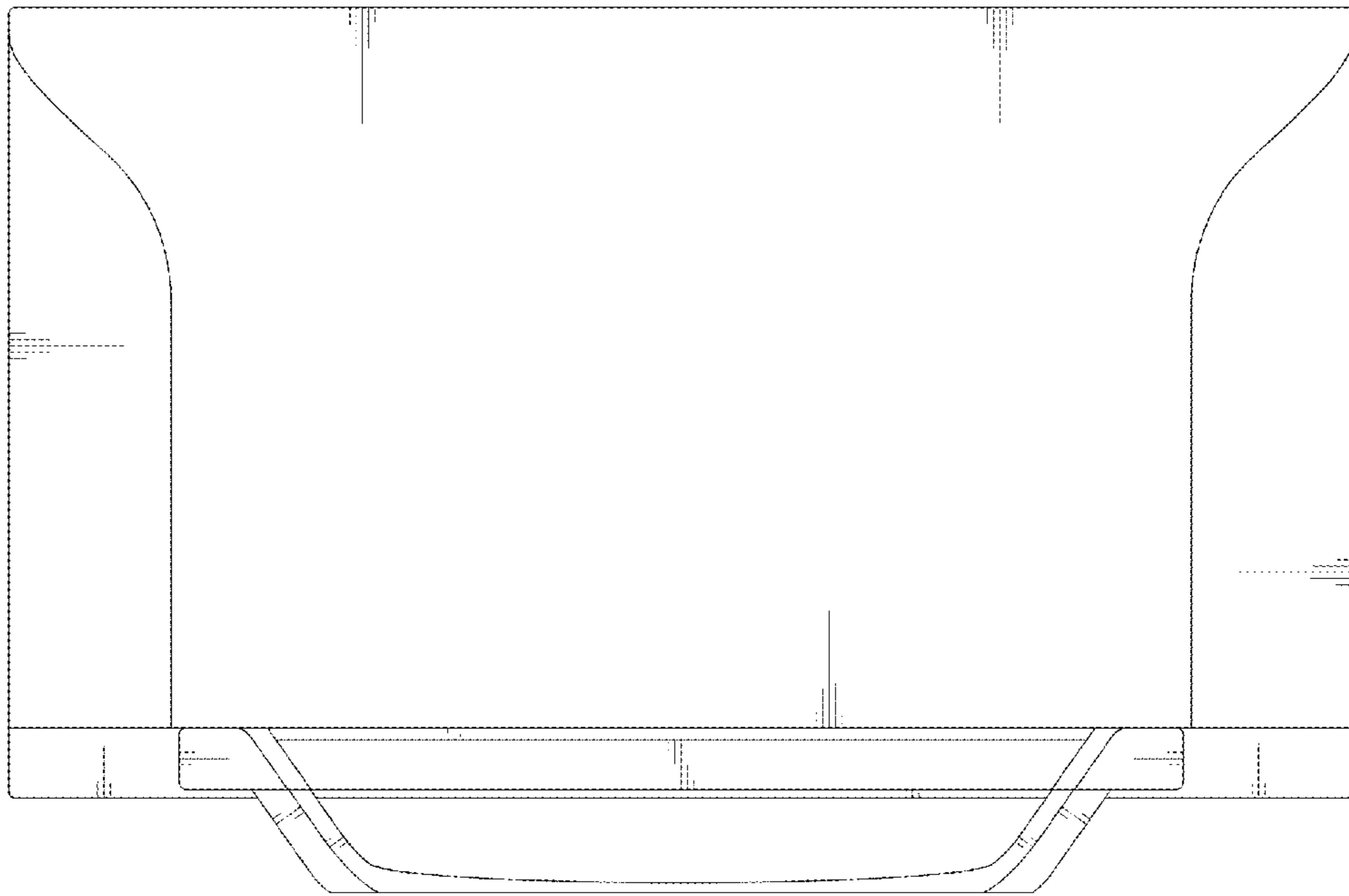


FIG. 4

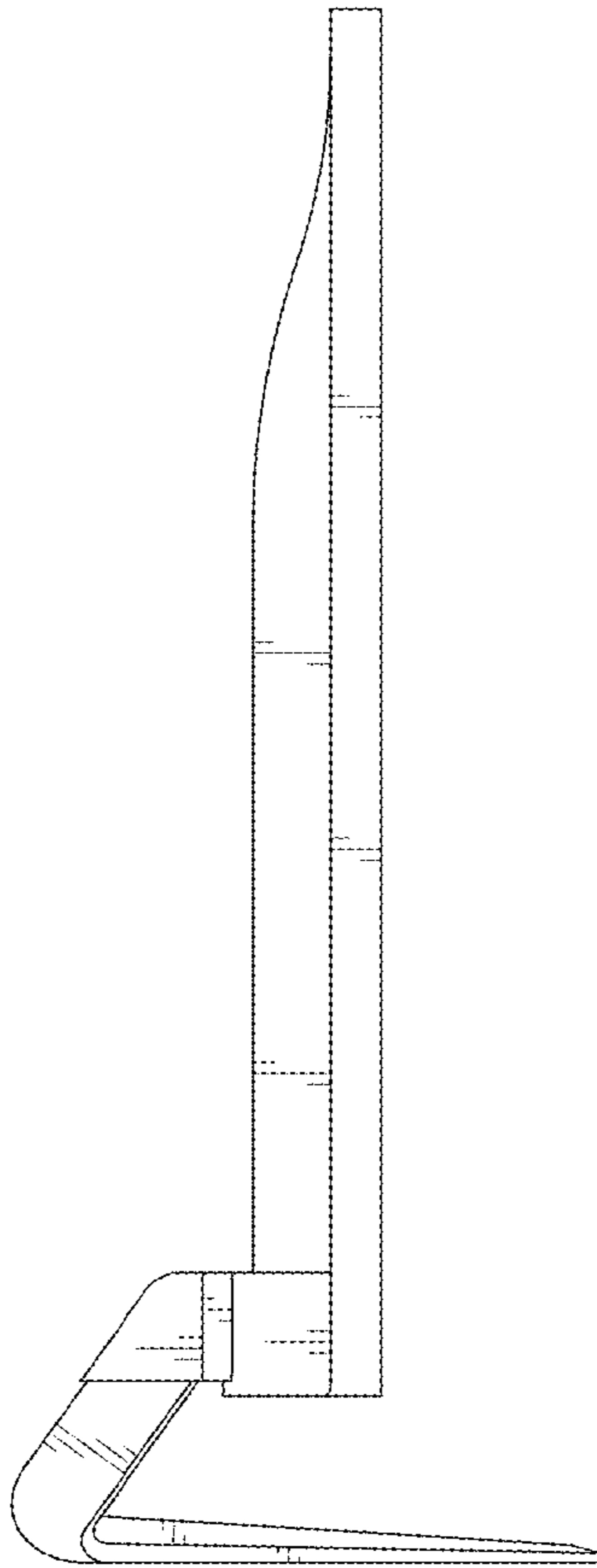


FIG. 5

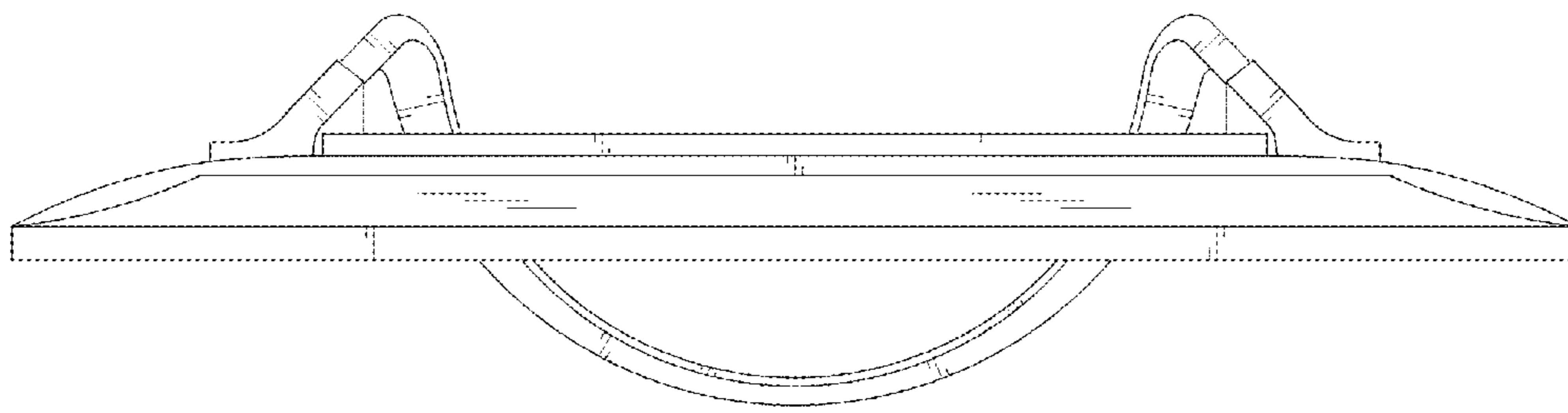


FIG. 6

