



US00D684126S

(12) **United States Design Patent**  
**Kawachi et al.**

(10) **Patent No.:** **US D684,126 S**  
(45) **Date of Patent:** **\*\* Jun. 11, 2013**

(54) **ELECTROLUMINESCENCE MODULE ASSEMBLY**

**DESCRIPTION**

(75) Inventors: **Hideharu Kawachi**, Kobe (JP); **Ryusuke Kotera**, Osaka (JP); **Yoshiyuki Miyake**, Osaka (JP); **Osamu Tanahashi**, Kyotanabe (JP)

(73) Assignee: **Panasonic Corporation**, Kadoma-shi (JP)

(\*\*) Term: **14 Years**

(21) Appl. No.: **29/414,423**

(22) Filed: **Feb. 28, 2012**

(30) **Foreign Application Priority Data**

Aug. 30, 2011 (JP) ..... 2011-019653

(51) **LOC (9) Cl.** ..... **13-03**

(52) **U.S. Cl.**  
USPC ..... **D13/180; D13/182**

(58) **Field of Classification Search**  
USPC ..... D13/180, 182; 174/254; 257/40, 257/66, 72, 79; 313/483, 494, 504, 506, 512; 315/169.3; 345/76, 82; 445/25; 428/690; 438/99, 460; 427/66  
See application file for complete search history.

(56) **References Cited**

**U.S. PATENT DOCUMENTS**

6,081,071	A *	6/2000	Rogers	313/512
6,124,672	A *	9/2000	Burke	313/506
6,565,231	B1 *	5/2003	Cok	362/653
6,771,021	B2 *	8/2004	Cok	313/512
6,850,006	B2 *	2/2005	Kim et al.	313/512
7,452,258	B1 *	11/2008	Marzen et al.	445/25

(Continued)

*Primary Examiner* — Selina Sikder

(74) *Attorney, Agent, or Firm* — Mavin A. Motsenbocker; Mots, Law, PLLC

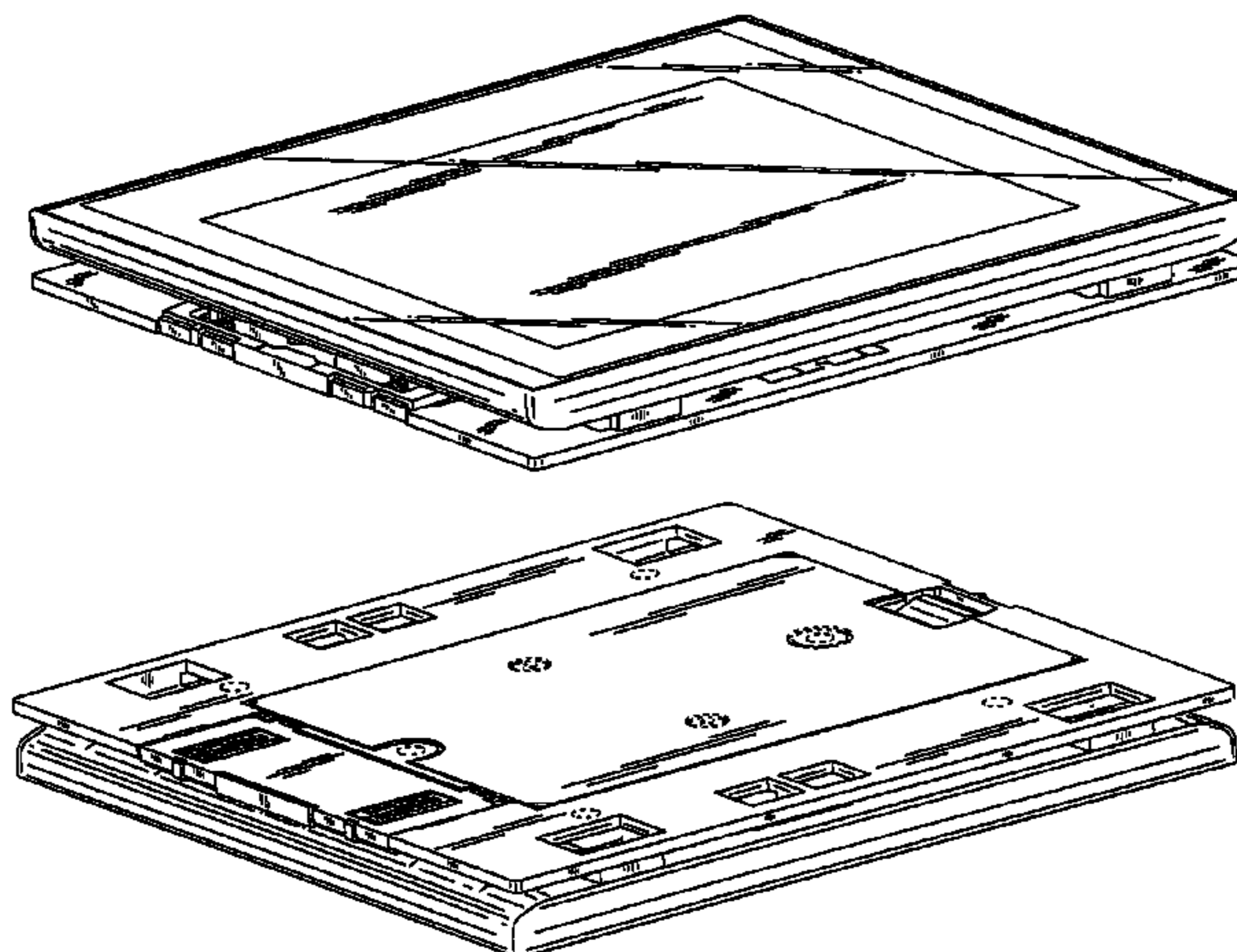
(57) **CLAIM**

The ornamental design for an electroluminescence module assembly, as shown and described.

FIG. 1 is a front perspective view of an electroluminescence module and a fixing base for the same;  
 FIG. 2 is a rear perspective view thereof;  
 FIG. 3 is a front view thereof;  
 FIG. 4 is a left side view thereof;  
 FIG. 5 is a top plan view thereof;  
 FIG. 6 is a right side view thereof;  
 FIG. 7 is a rear view thereof;  
 FIG. 8 is a bottom plan view thereof;  
 FIG. 9 is a bottom plan view showing a state where the electroluminescence module is being attached to the fixing base;  
 FIG. 10 is a front perspective view of the electroluminescence module without a base;  
 FIG. 11 is a rear perspective view thereof;  
 FIG. 12 is a front view thereof;  
 FIG. 13 is a left side view thereof;  
 FIG. 14 is a top plan view thereof;  
 FIG. 15 is a right side view thereof;  
 FIG. 16 is a rear view thereof;  
 FIG. 17 is a bottom plan view thereof;  
 FIG. 18 is a front perspective view of the fixing base without the electroluminescence module;  
 FIG. 19 is a front view thereof;  
 FIG. 20 is a left side view thereof;  
 FIG. 21 is a top plan view thereof;  
 FIG. 22 is a right side view thereof;  
 FIG. 23 is a rear view thereof; and,  
 FIG. 24 is a bottom plan view thereof.

The portions of article in broken lines indicate that the portions are shown for illustrative purposes only and form no part of the claimed design. The fixing base is omitted from the disclosure in FIGS. 10 to 17 for convenience of illustration. The electroluminescence module is omitted from the disclosure in FIGS. 18 to 24 for convenience of illustration.

**1 Claim, 24 Drawing Sheets**



# US D684,126 S

Page 2

---

## U.S. PATENT DOCUMENTS

7,677,944	B2 *	3/2010	Kawauchi	.....	445/25	8,030,845	B2 *	10/2011	Itai	.....	313/512
7,773,372	B2 *	8/2010	Moon et al.	.....	361/679.21	8,207,664	B2 *	6/2012	Kawachi et al.	.....	313/504
D632,657	S *	2/2011	Fujihara et al.	.....	D13/180	2005/0168143	A1 *	8/2005	Kum et al.	.....	313/512
D633,054	S *	2/2011	Fujihara et al.	.....	D13/180	2009/0267526	A1 *	10/2009	Sung et al.	.....	315/169.3
D633,450	S *	3/2011	Fujihara et al.	.....	D13/180	2011/0095701	A1 *	4/2011	Tanahashi et al.	.....	315/291
D642,996	S *	8/2011	Miyake	.....	D13/180	2011/0248627	A1 *	10/2011	Fukano et al.	.....	313/504

\* cited by examiner

Fig. 1

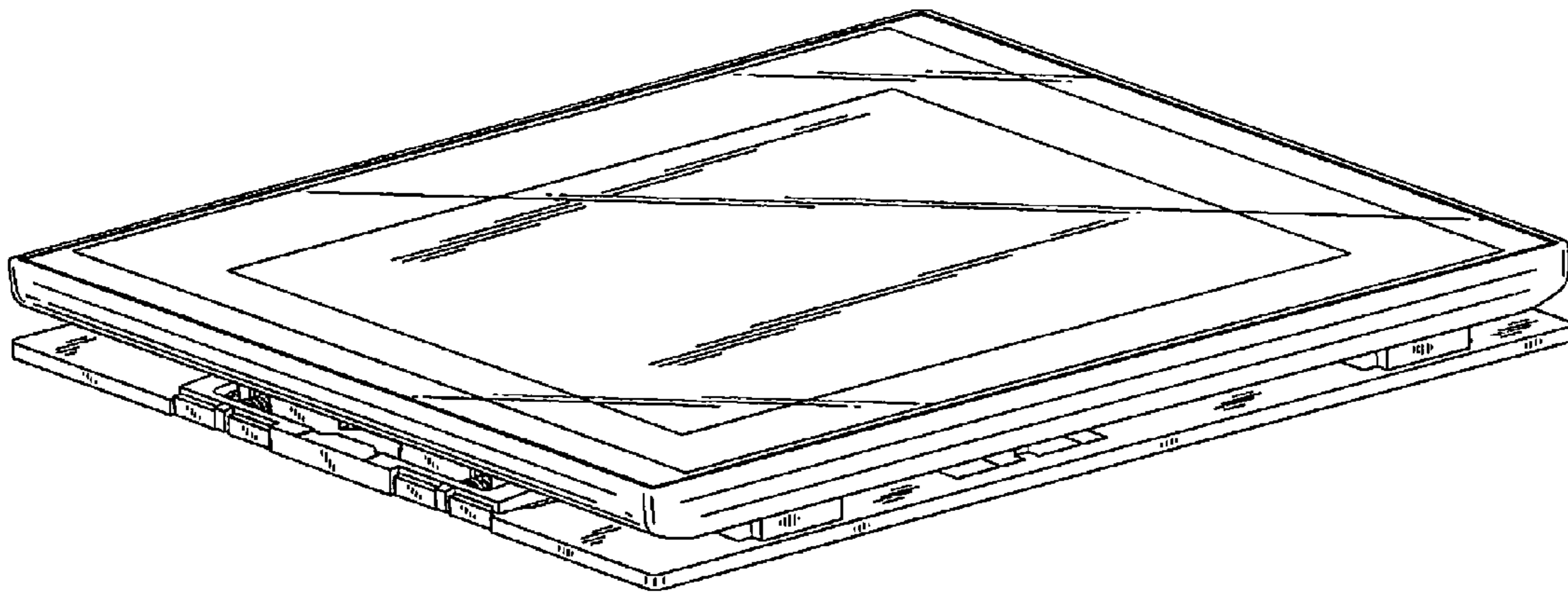


Fig.2

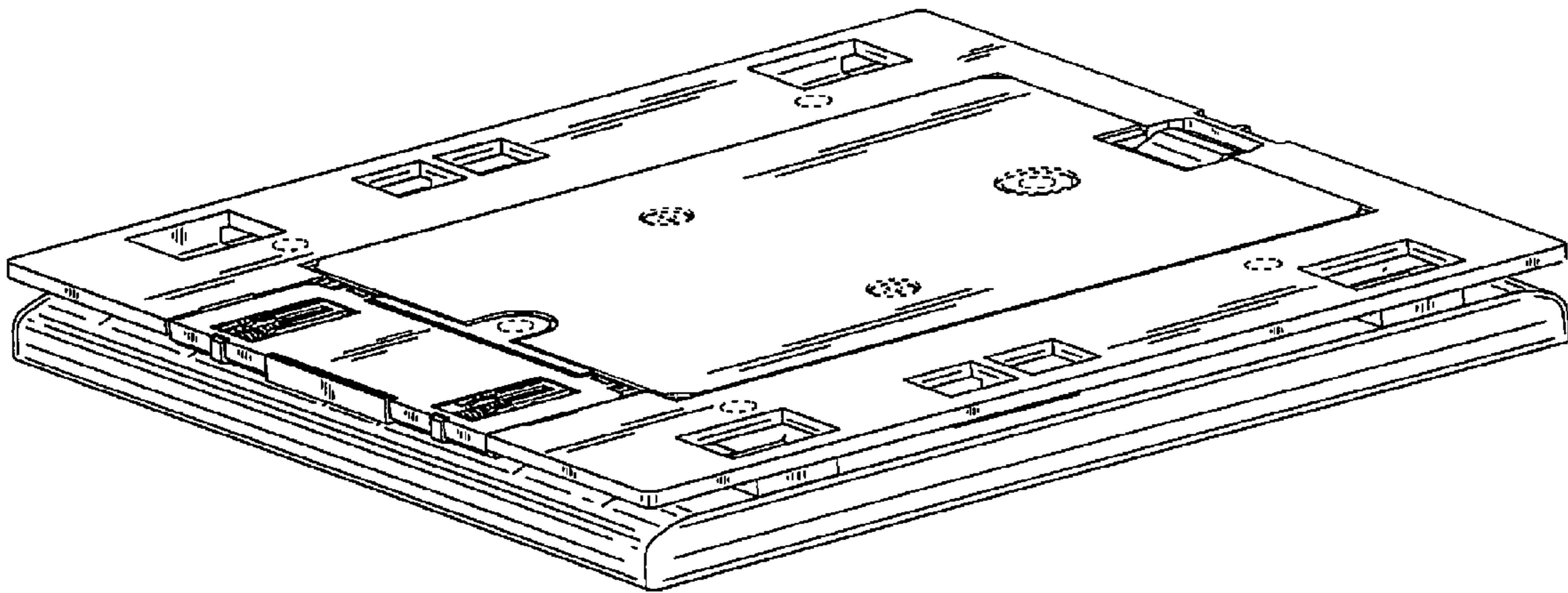


Fig.3

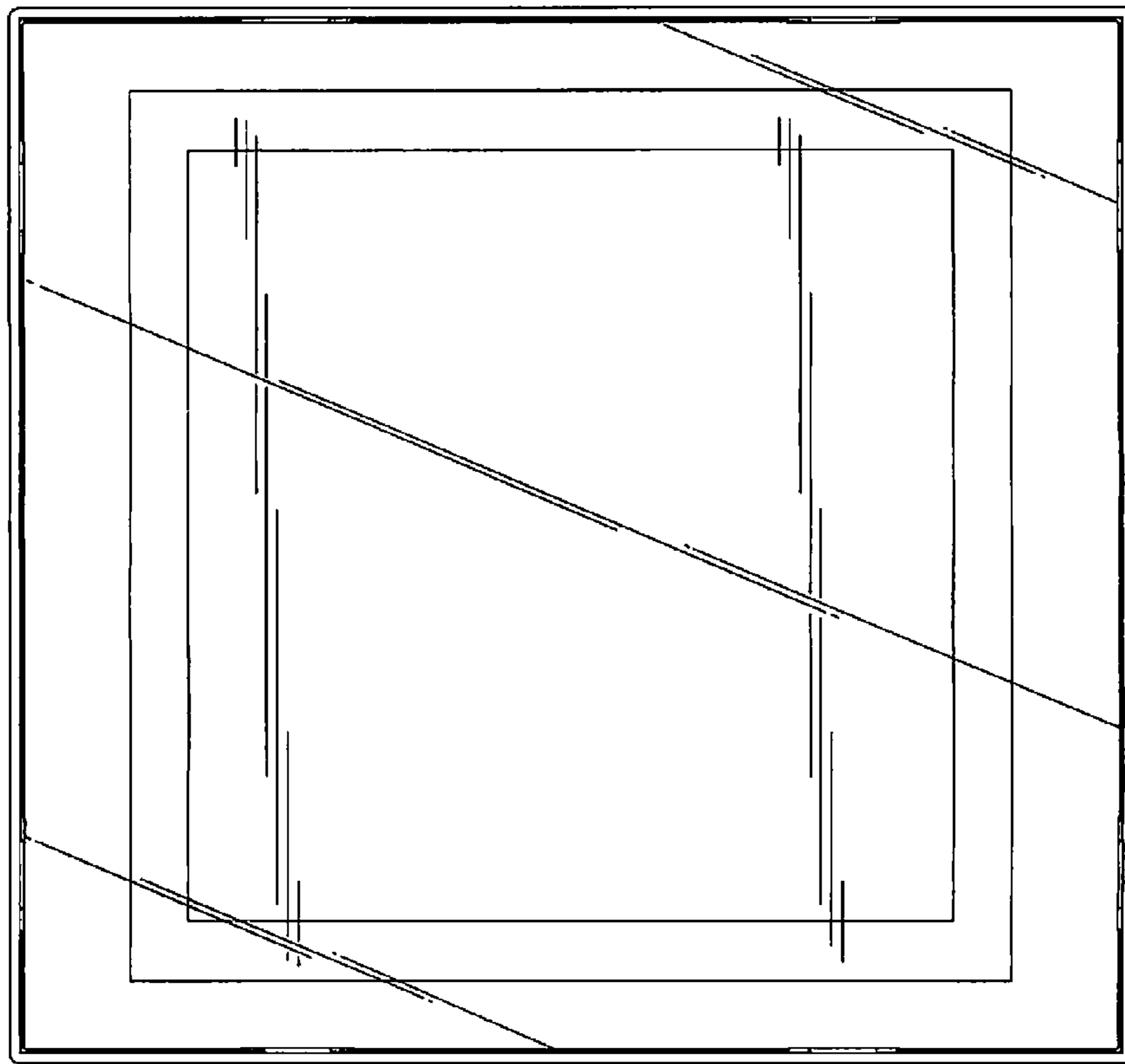


Fig.4

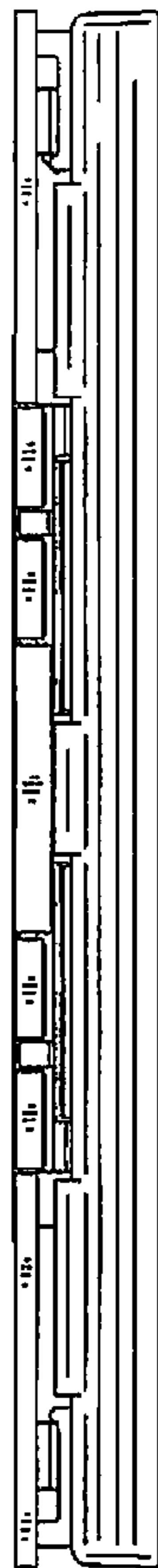


Fig.5

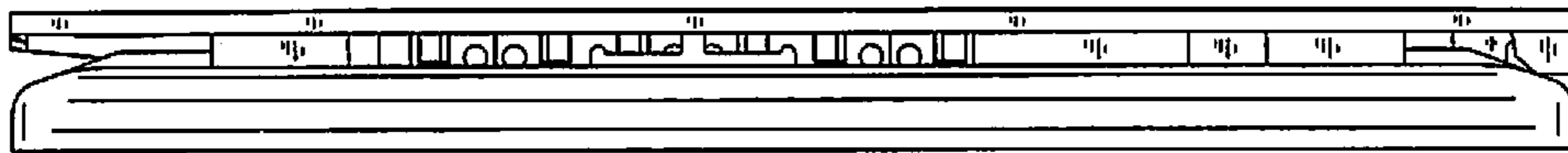


Fig.6

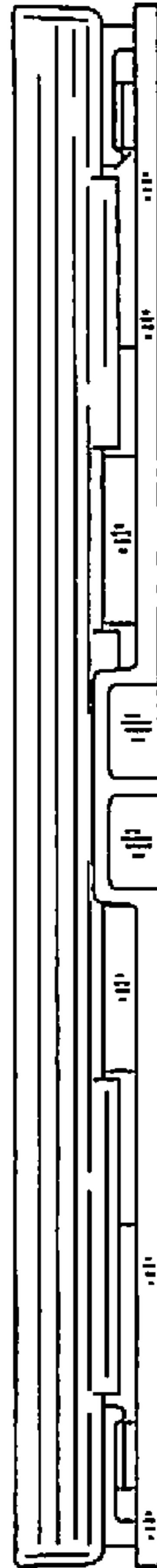




Fig.7

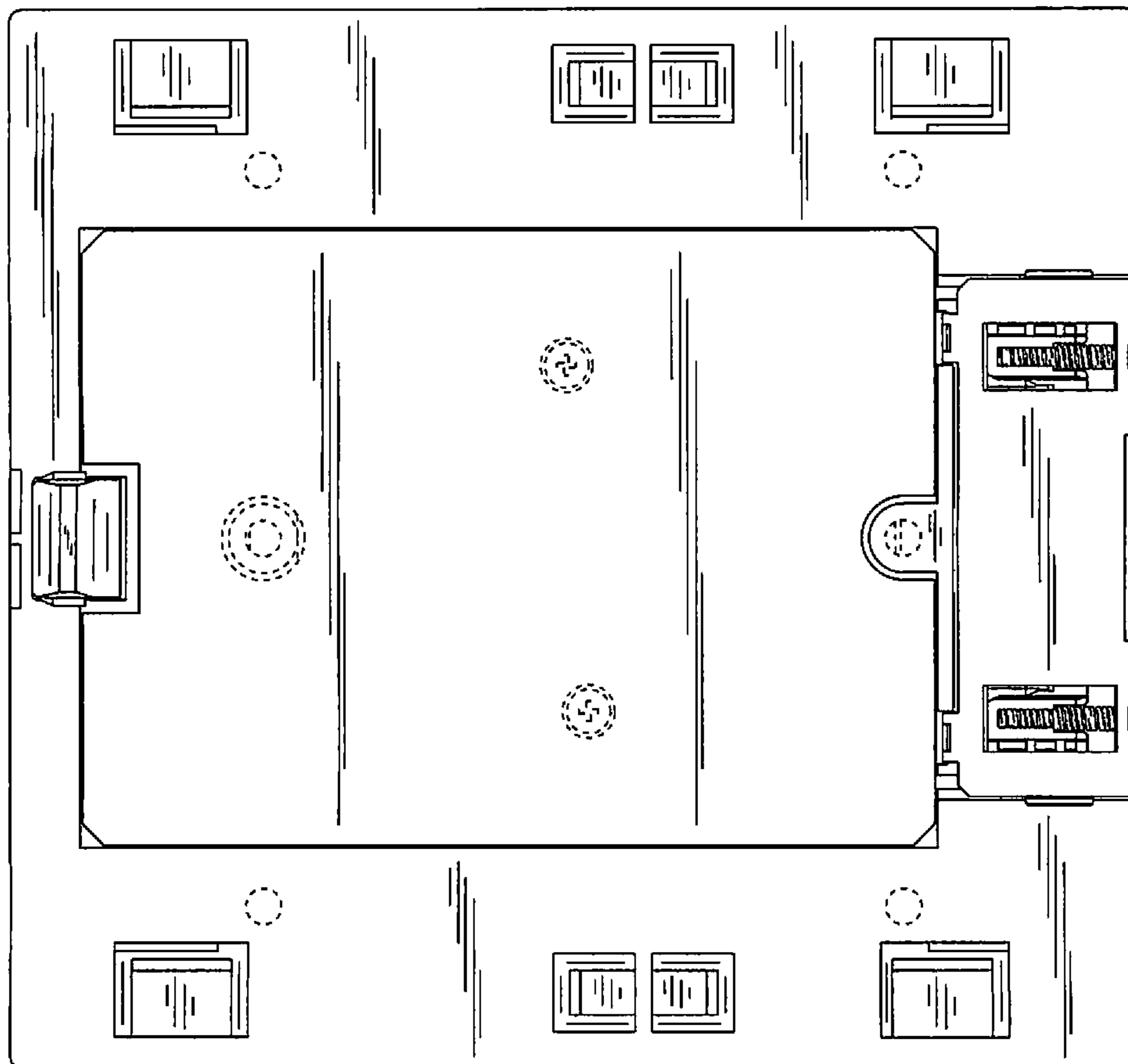


Fig.8

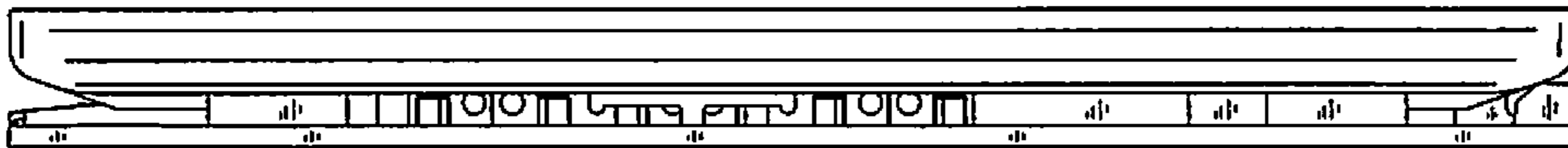


Fig.9

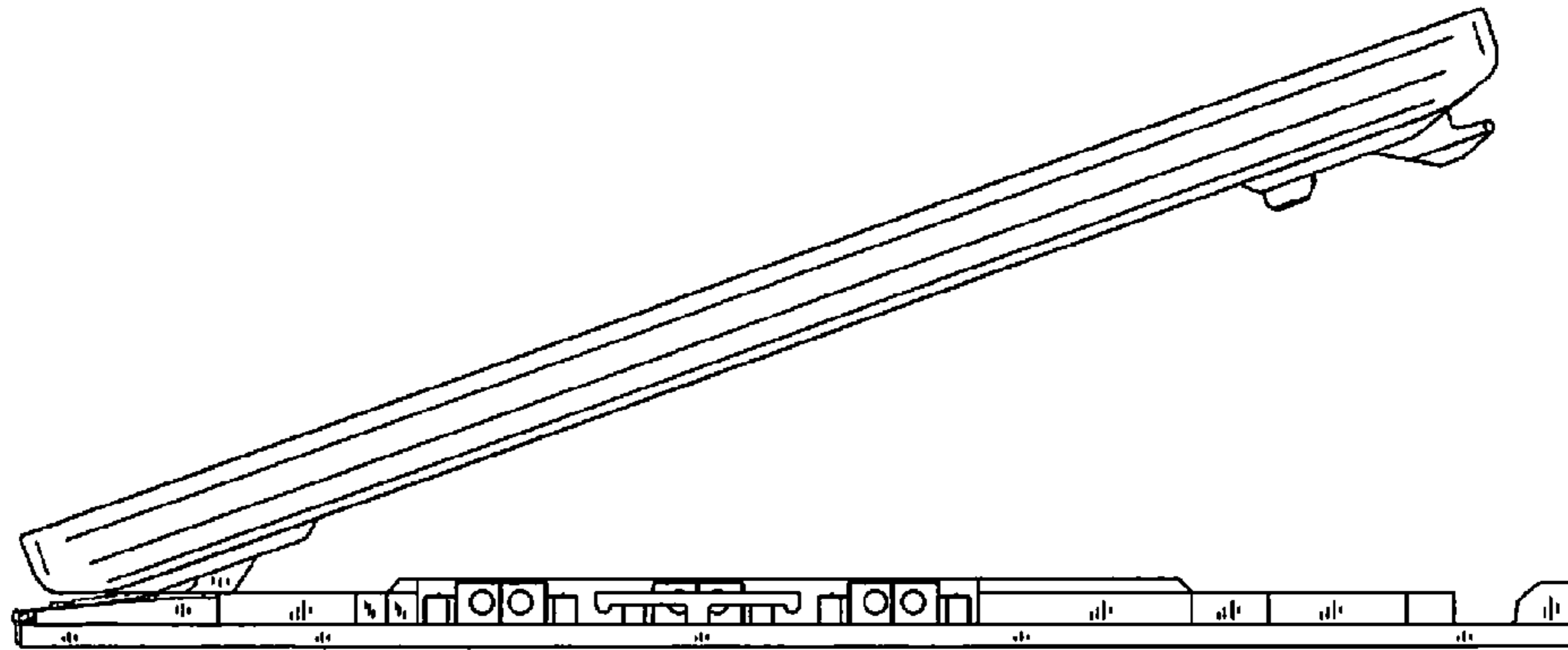


Fig.10

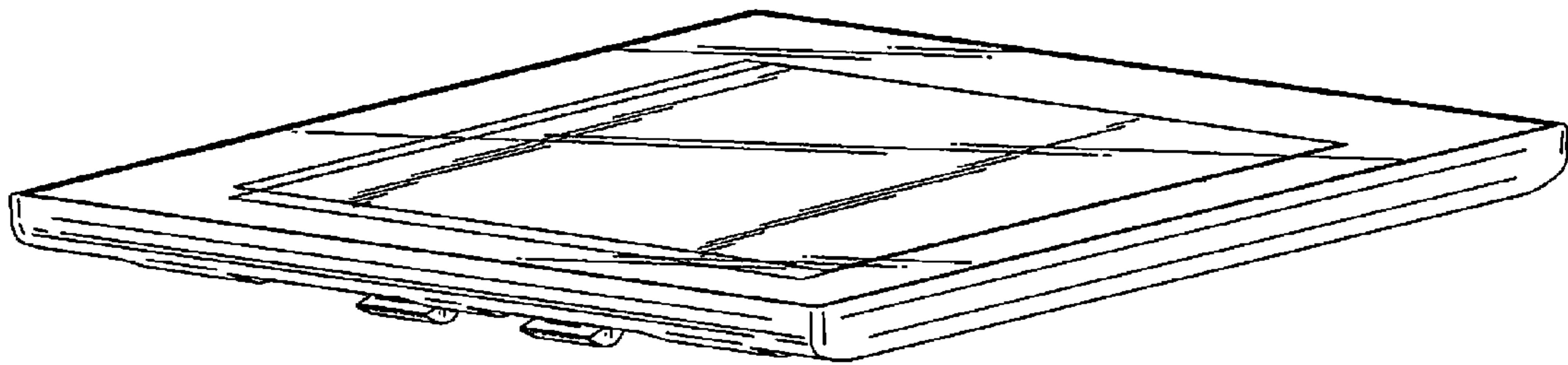


Fig.11

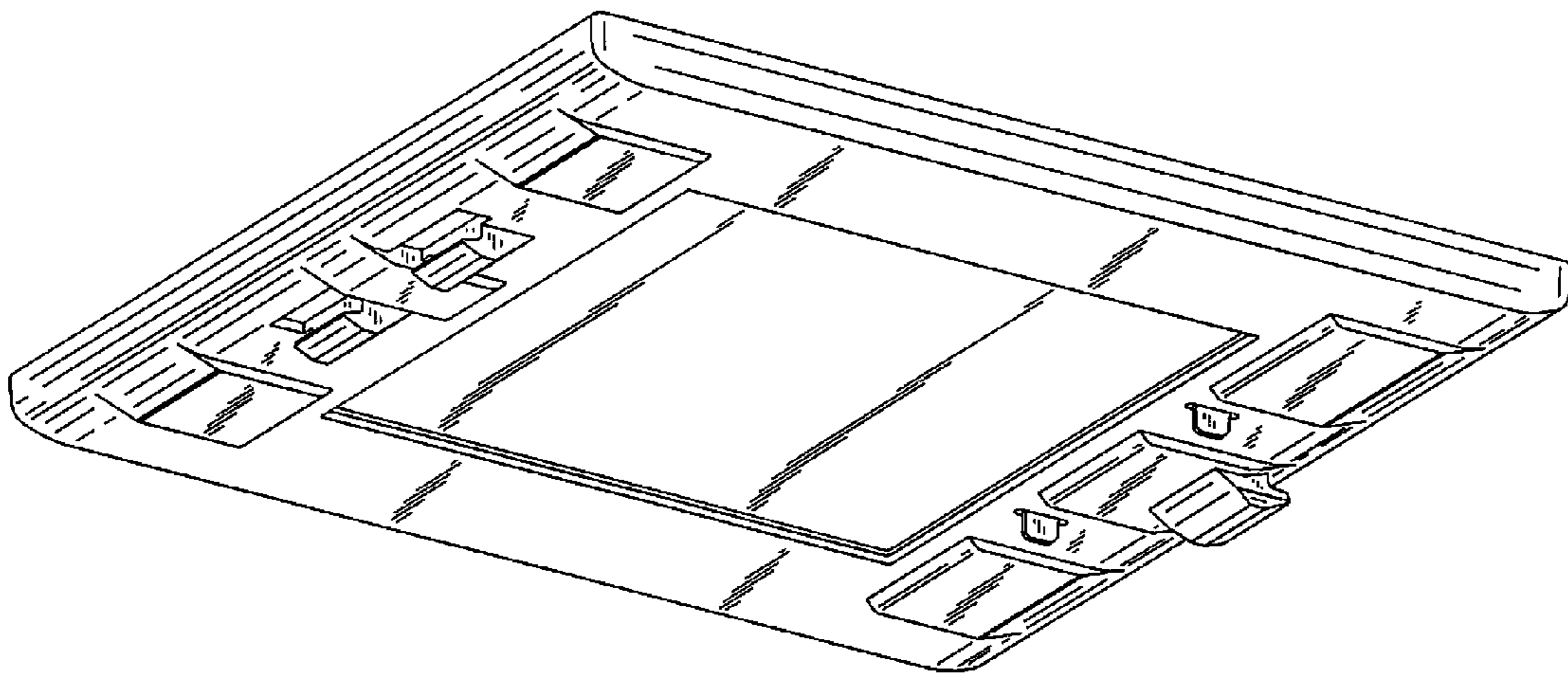


Fig.12

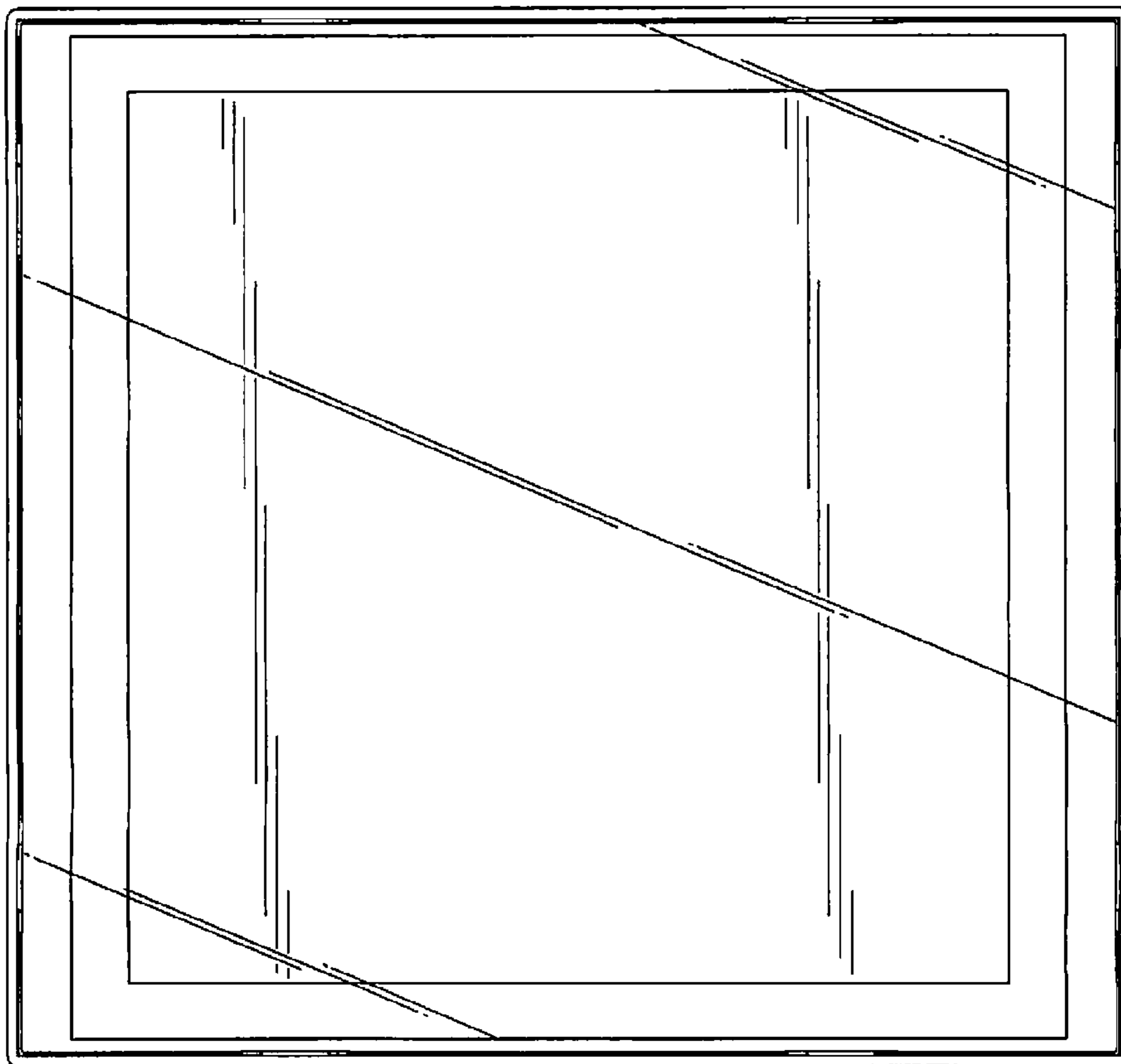


Fig. 13

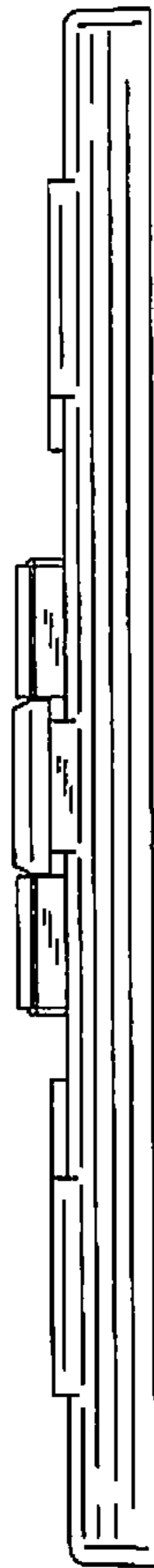


Fig.14

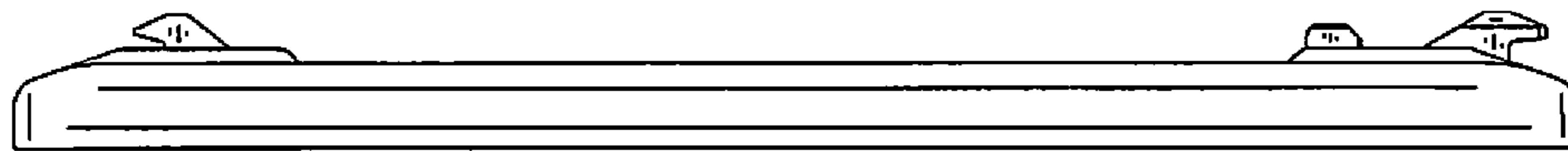




Fig. 15

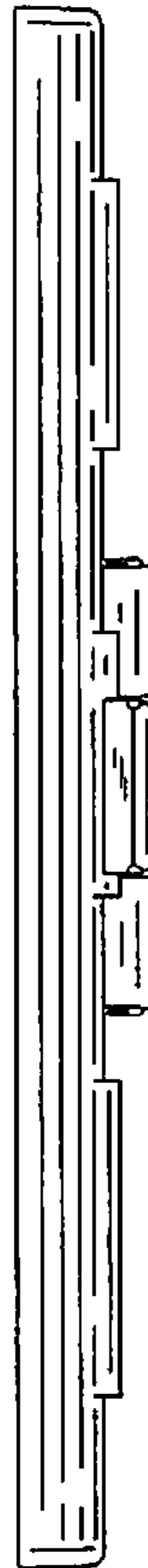


Fig.16

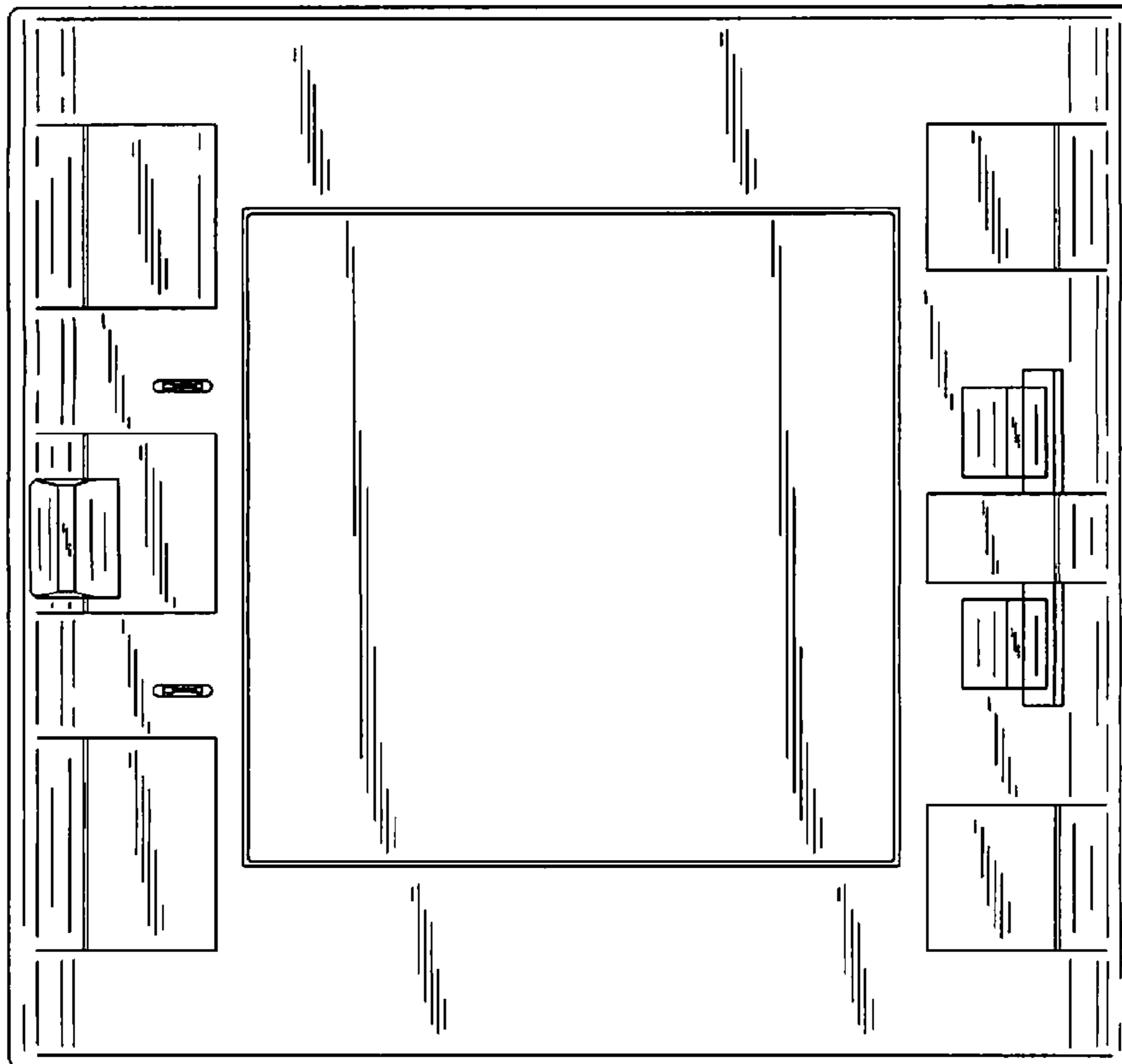


Fig. 17

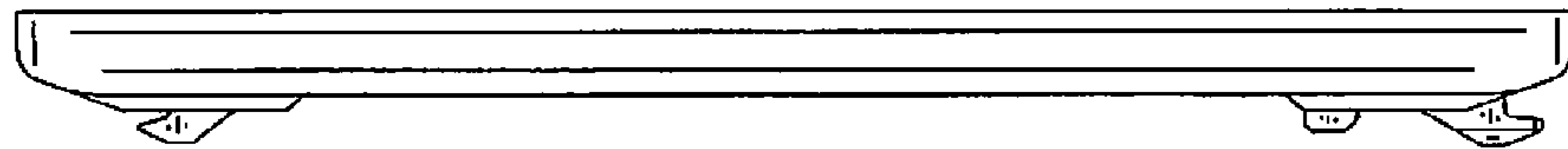


Fig.18

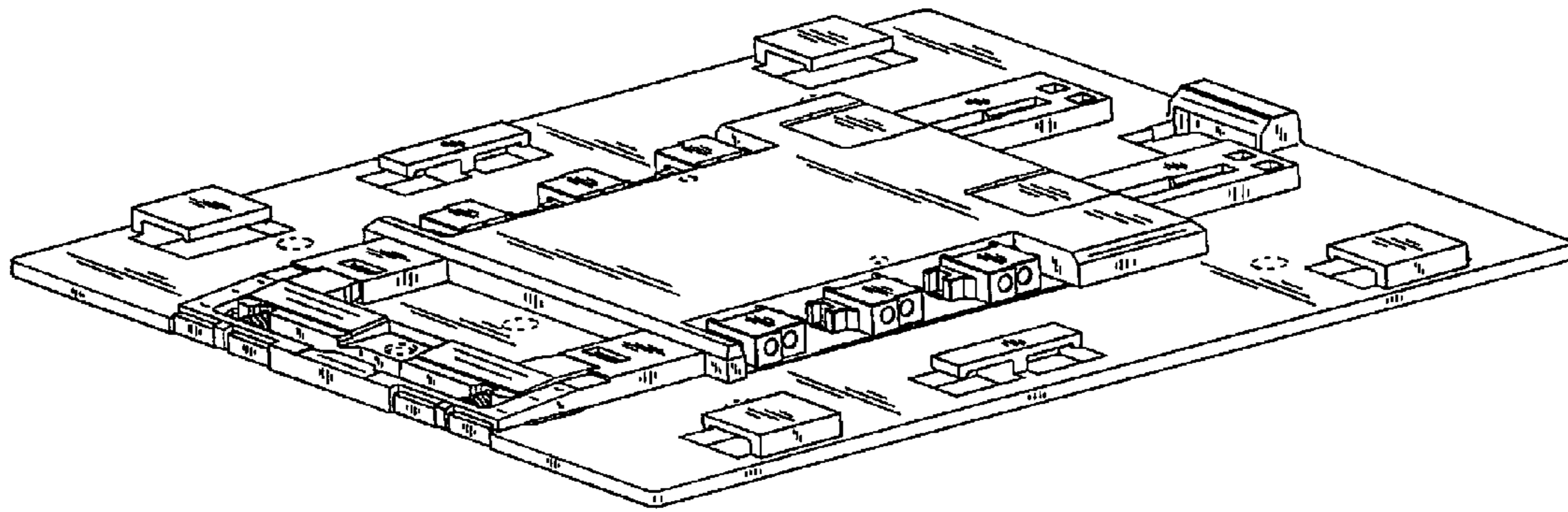


Fig. 19

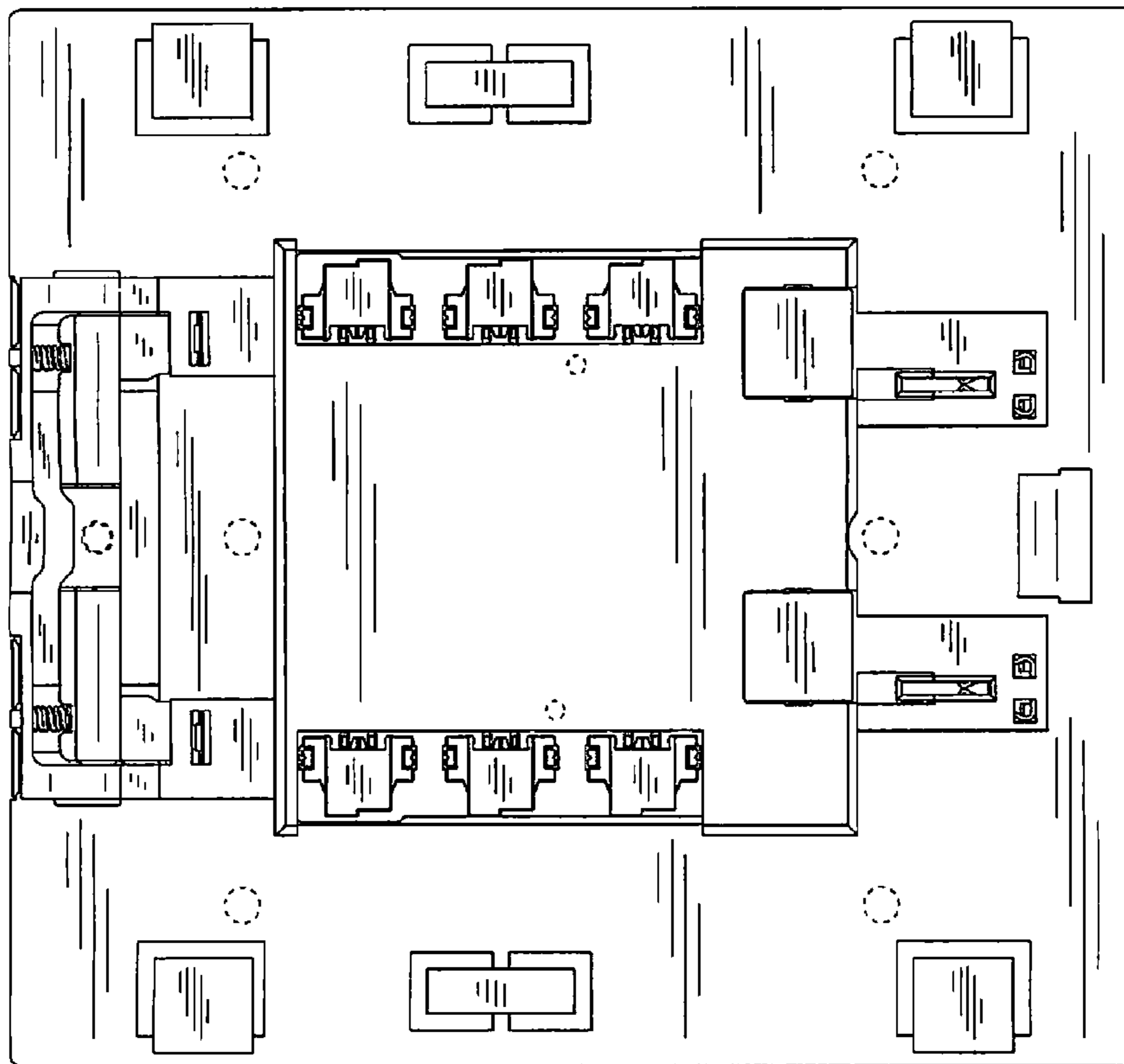


Fig.20



Fig.21



Fig.22





Fig.23

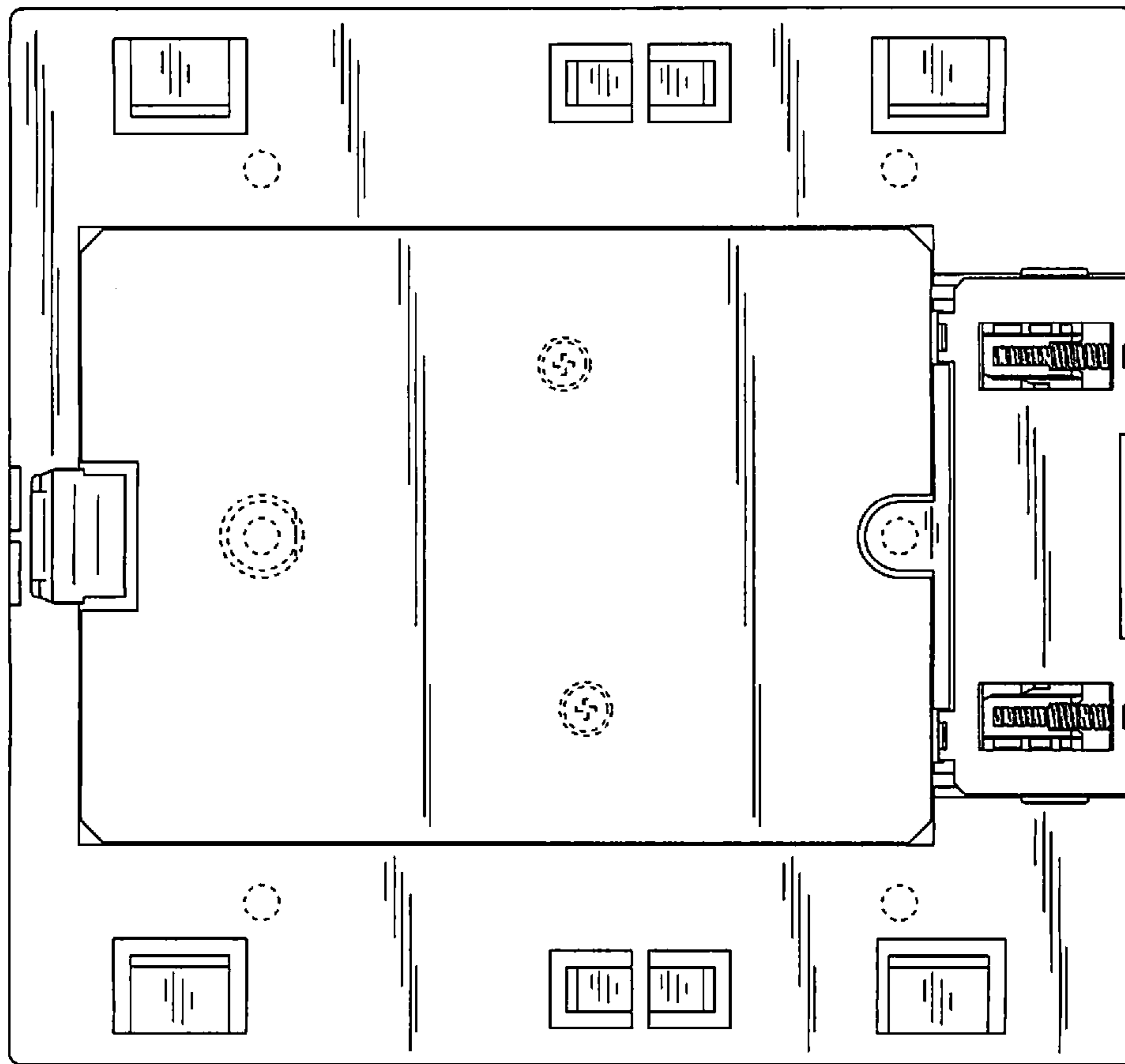


Fig.24

