



US00D684124S

(12) **United States Design Patent**  
**Matsuhisa et al.**

(10) **Patent No.:** **US D684,124 S**  
(45) **Date of Patent:** **\*\* Jun. 11, 2013**

(54) **ELECTROLUMINESCENCE MODULE**

(75) Inventors: **Yuko Matsuhisa**, Osaka (JP); **Takao Miyai**, Hirakata (JP); **Hiroyuki Sasaki**, Katano (JP); **Koki Fujihara**, Tsubame (JP); **Takeo Shirai**, Osaka (JP); **Shingo Houzumi**, Himeji (JP)

(73) Assignee: **Panasonic Corporation**, Kadoma-shi (JP)

(\*\*) Term: **14 Years**

(21) Appl. No.: **29/401,092**

(22) Filed: **Sep. 7, 2011**

(51) **LOC (9) Cl.** ..... **13-03**

(52) **U.S. Cl.**  
USPC ..... **D13/180; D13/182**

(58) **Field of Classification Search**  
USPC ..... **D13/180, 182; 174/254; 257/40, 257/66, 72, 79; 313/483, 494, 504, 506, 512; 315/169.3; 345/76, 82; 445/25; 428/690; 438/99, 460; 427/66**

See application file for complete search history.

(56) **References Cited**

**U.S. PATENT DOCUMENTS**

7,741,135 B2\* 6/2010 Lee ..... 438/30  
D632,657 S \* 2/2011 Fujihara et al. .... D13/180  
D633,054 S \* 2/2011 Fujihara et al. .... D13/180

D633,055 S \* 2/2011 Fujihara et al. .... D13/180  
D633,056 S \* 2/2011 Fujihara et al. .... D13/180  
D633,057 S \* 2/2011 Fujihara et al. .... D13/180  
D633,450 S \* 3/2011 Fujihara et al. .... D13/180  
D633,451 S \* 3/2011 Fujihara et al. .... D13/180  
8,030,845 B2\* 10/2011 Itai ..... 313/512  
2001/0019245 A1\* 9/2001 Ohshita et al. .... 313/506  
2004/0051449 A1\* 3/2004 Klausmann et al. .... 313/512  
2008/0303408 A1\* 12/2008 Yamazaki et al. .... 313/498

\* cited by examiner

*Primary Examiner* — Selina Sikder

(74) *Attorney, Agent, or Firm* — Marvin A. Motsenbocker; Mots Law, PLLC.

(57) **CLAIM**

The ornamental design for an electroluminescence module, as shown and described.

**DESCRIPTION**

FIG. 1 is a front perspective view of an electroluminescence module;

FIG. 2 is a front view thereof;

FIG. 3 is a left side view thereof;

FIG. 4 is a top plan view thereof;

FIG. 5 is a rear view thereof; and,

FIG. 6 is a reference view thereof, in which hatching indicates translucent portions.

A right side view of the electroluminescence module is a mirror image of the left side view shown in FIG. 3, and therefore omitted.

**1 Claim, 6 Drawing Sheets**

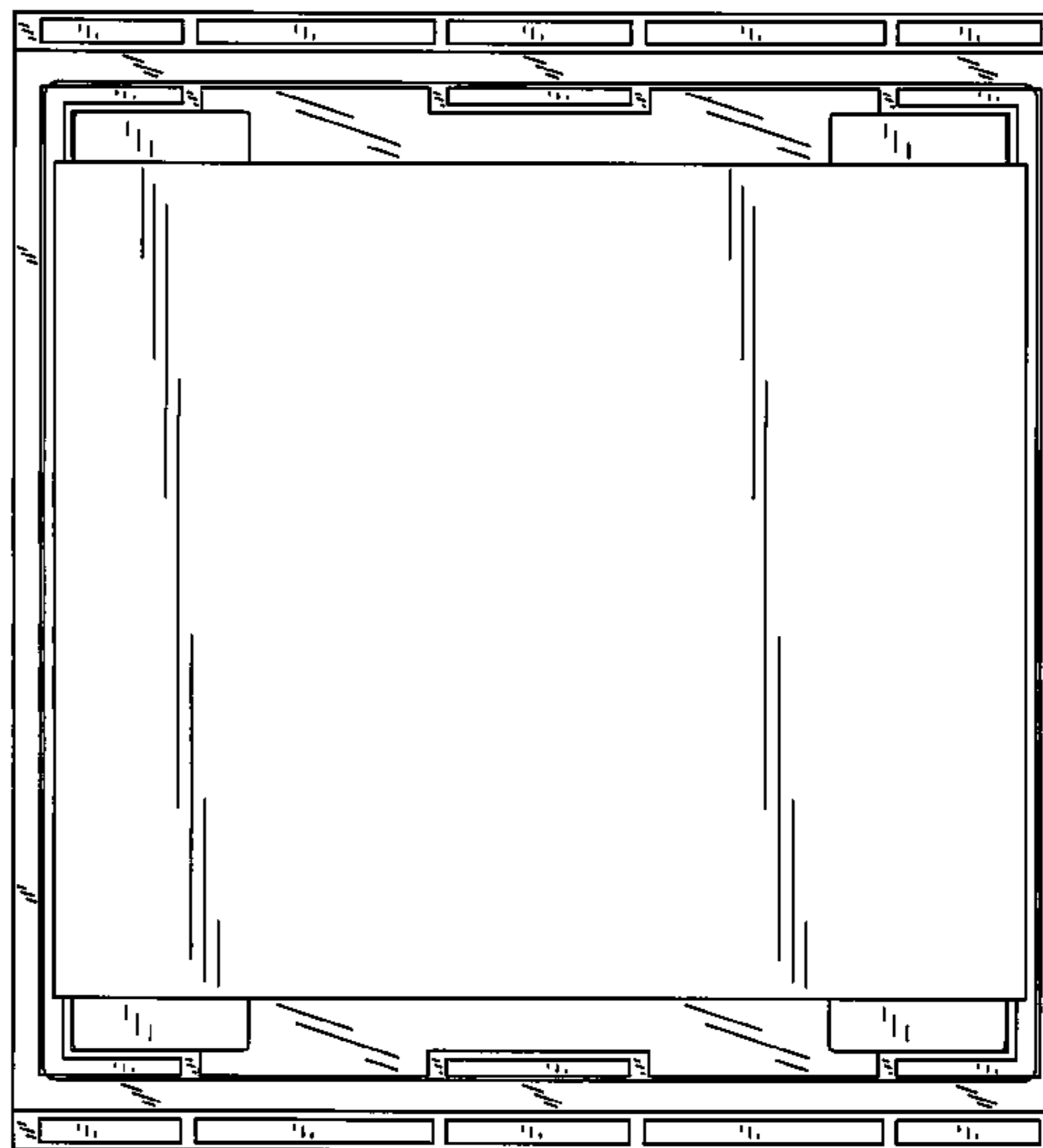
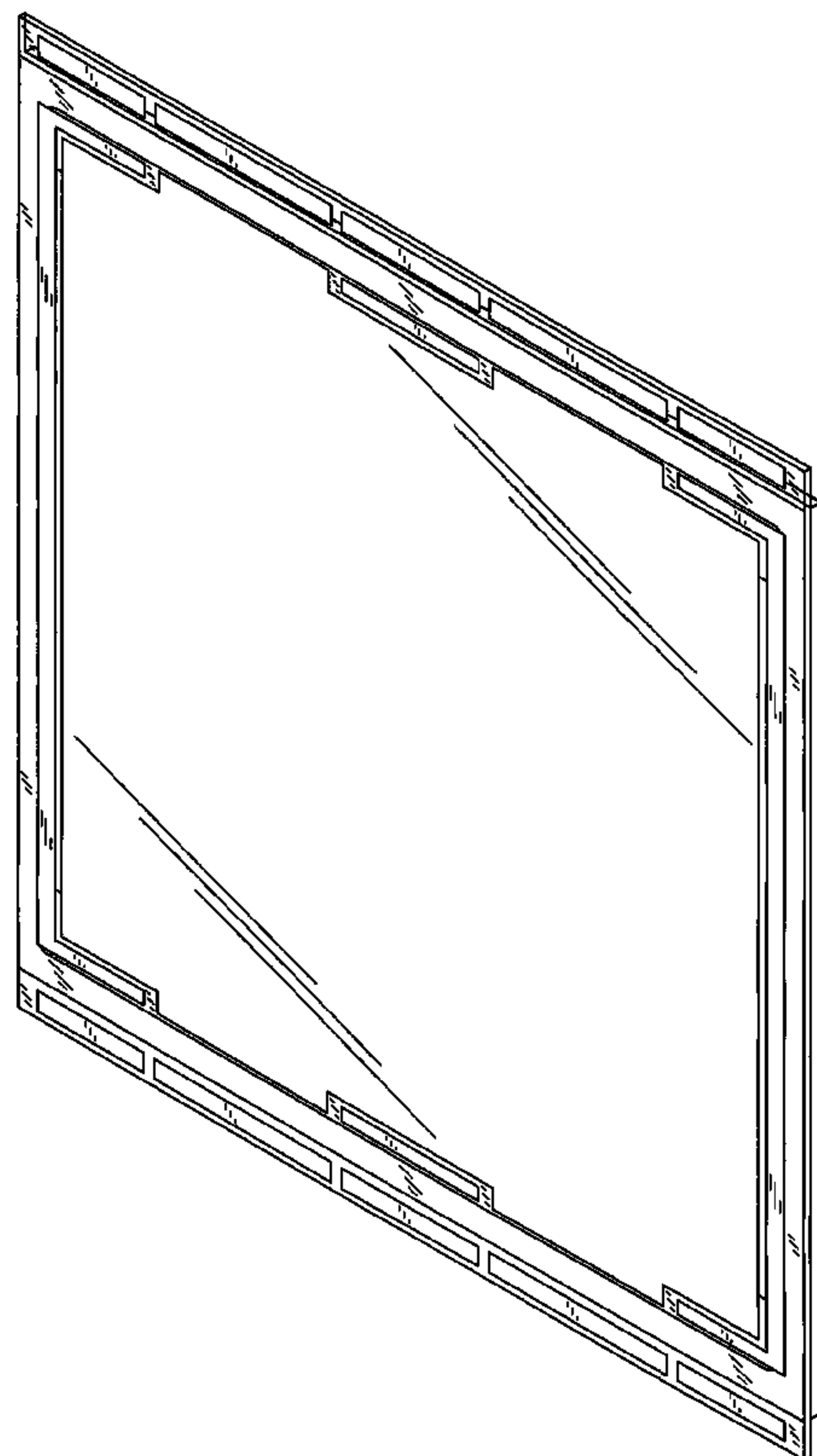


Fig.1

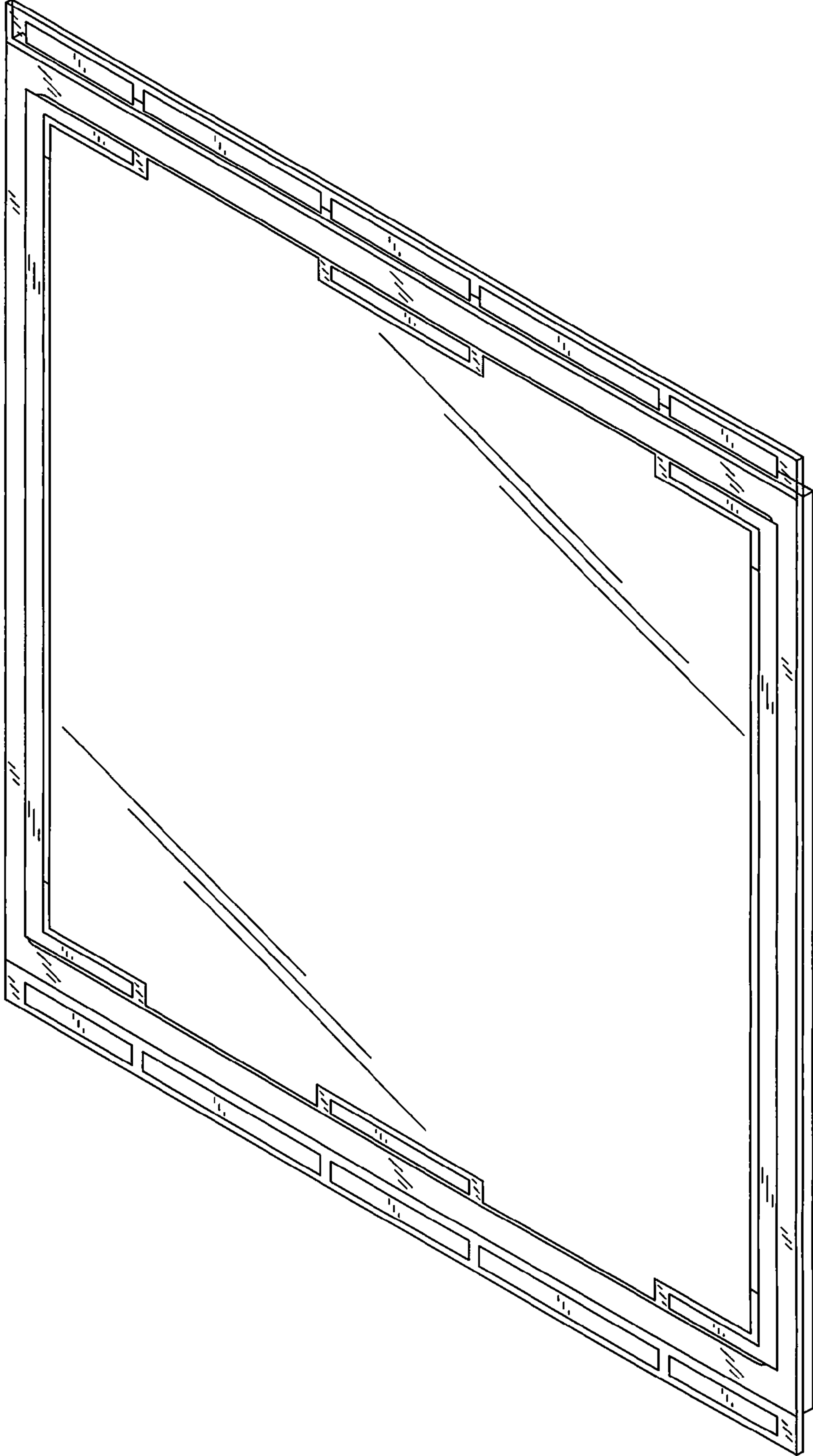


Fig.2

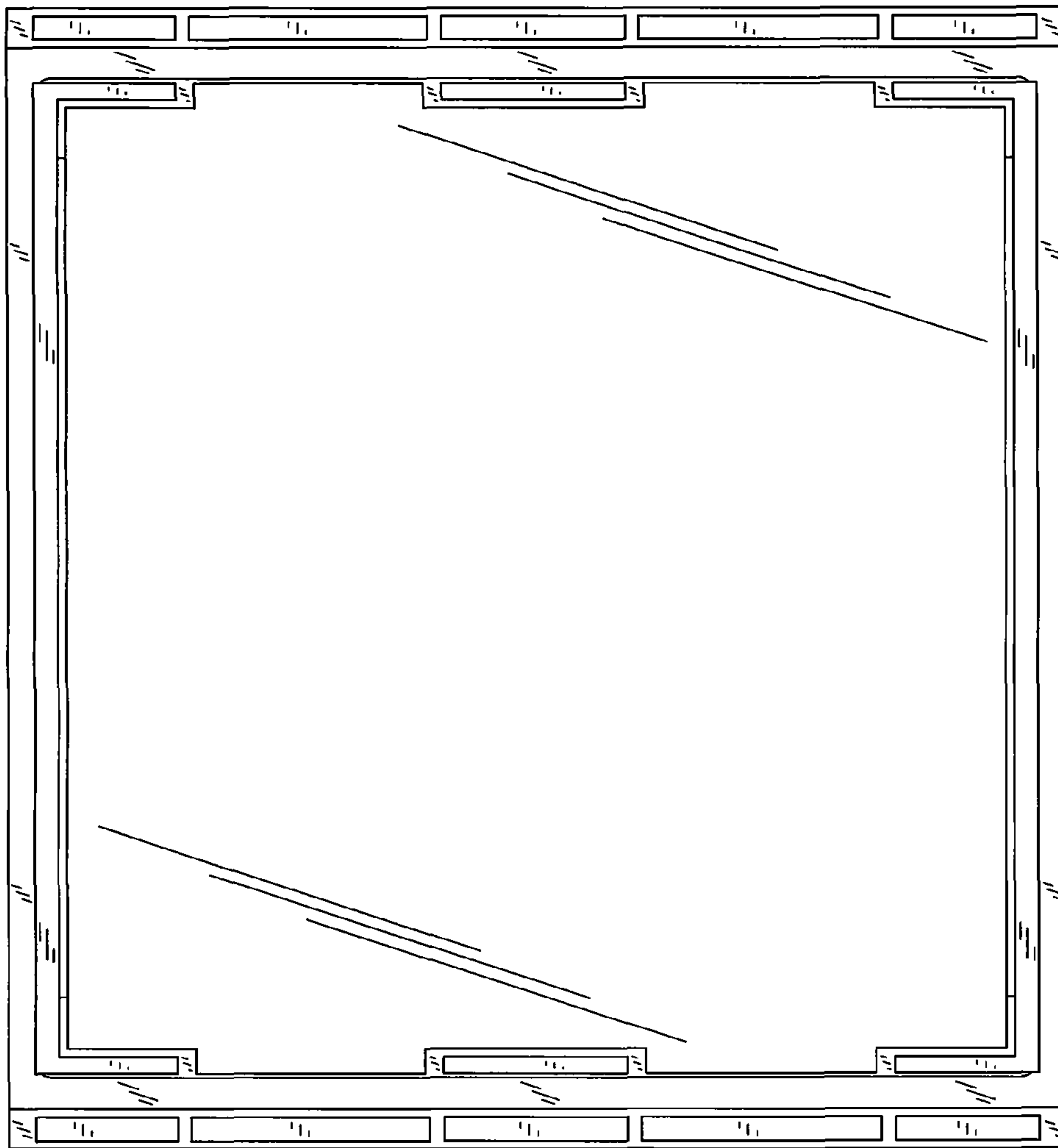


Fig.3



**Fig.4**

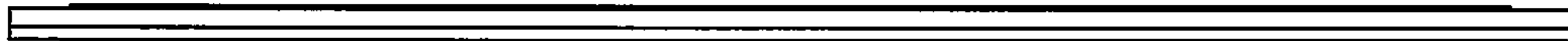


Fig.5

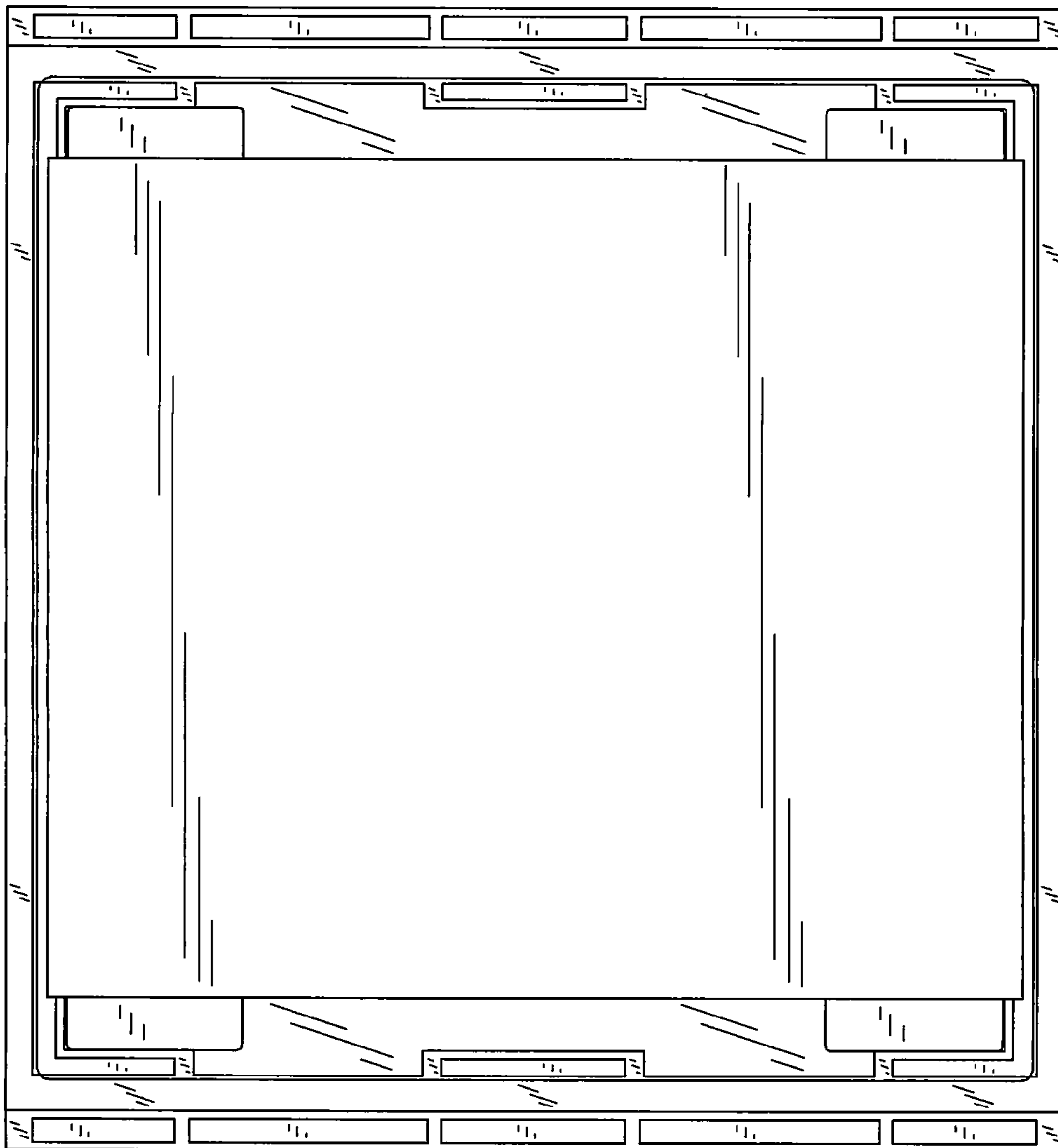


Fig.6

