



US00D684123S

(12) **United States Design Patent**  
**Matoba et al.**

(10) **Patent No.:** **US D684,123 S**  
(45) **Date of Patent:** **\*\* Jun. 11, 2013**

(54) **CONNECTOR FOR FLEXIBLE PRINTED  
CIRCUIT BOARD**

JP D1399902 10/2010  
JP D1399903 10/2010

(75) Inventors: **Masato Matoba**, Kyoto (JP); **Shunsuke Akahori**, Kyoto (JP)

*Primary Examiner* — Daniel Bui  
(74) *Attorney, Agent, or Firm* — Harness, Dickey & Pierce, P.L.C.

(73) Assignee: **Omron Corporation**, Kyoto (JP)

(57) **CLAIM**

(\*\*) Term: **14 Years**

The ornamental design for a connector for flexible printed circuit board, as shown and described.

(21) Appl. No.: **29/422,828**

**DESCRIPTION**

(22) Filed: **May 24, 2012**

**Related U.S. Application Data**

(62) Division of application No. 29/371,332, filed on Jan. 4, 2011.

(30) **Foreign Application Priority Data**

Jul. 5, 2010 (JP) ..... 2010-16344  
Jul. 5, 2010 (JP) ..... 2010-16345

(51) **LOC (9) Cl.** ..... **13-03**

(52) **U.S. Cl.**  
USPC ..... **D13/154; D13/147**

(58) **Field of Classification Search**  
USPC ..... D13/147, 154, 184, 199; D14/432,  
D14/433, 435, 436, 438; 439/62, 74, 159-160,  
439/260, 395, 422, 495, 499, 607.01, 607.04,  
439/607.05, 607.17, 607.25, 607.34, 607.41,  
439/607.53, 746, 749, 790, 849-850, 884-885,  
439/887-888

See application file for complete search history.

(56) **References Cited**

**U.S. PATENT DOCUMENTS**

3,555,497 A \* 1/1971 Watanabe ..... 439/857  
D410,226 S \* 5/1999 Yoshiura ..... D13/133

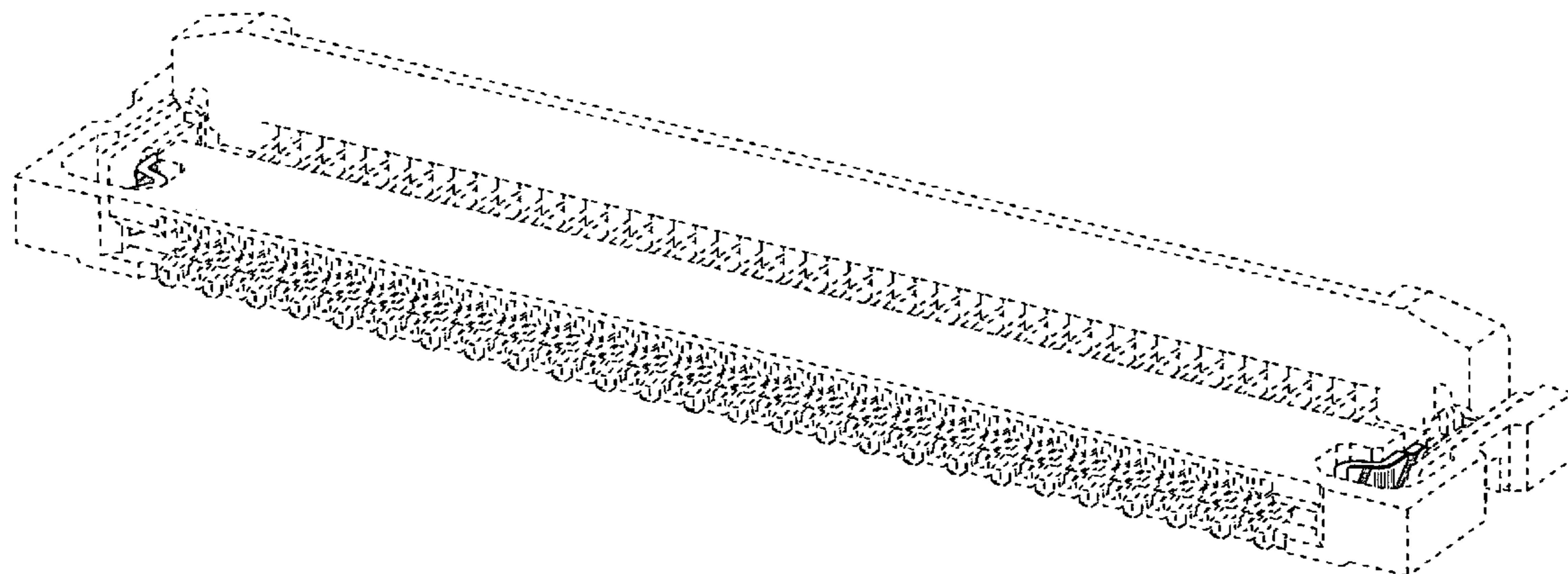
(Continued)

**FOREIGN PATENT DOCUMENTS**

JP D1399503 10/2010

FIG. 1 is an enlarged top, front and right side perspective view of a connector for flexible printed circuit board showing our new design;  
FIG. 2 is an enlarged bottom, rear and left side perspective view thereof;  
FIG. 3 is a front elevational view thereof;  
FIG. 4 is a rear elevational view thereof;  
FIG. 5 is a left side view thereof;  
FIG. 6 is a right side view thereof;  
FIG. 7 is a top plan view thereof;  
FIG. 8 is a bottom plan view thereof;  
FIG. 9 is an enlarged perspective cross-sectional view taken along the line of IX-IX of FIG. 3;  
FIG. 10 is an enlarged perspective cross-sectional view taken along the line of X-X of FIG. 4;  
FIG. 11 is an enlarged perspective cross-sectional view taken along the line of XI-XI of FIG. 3;  
FIG. 12 is an enlarged perspective cross-sectional view taken along the line of XII-XII of FIG. 4;  
FIG. 13 is an enlarged cross-sectional view taken along the line of XIII-XIII of FIG. 3;  
FIG. 14 is an enlarged cross-sectional view taken along the line of XIV-XIV of FIG. 3;  
FIG. 15 is a perspective cross-sectional view taken along the line of XV-XV of FIG. 7; and,  
FIG. 16 is a top, front and right side perspective view thereof, shown in an alternate position of use.  
The broken lines depict environmental subject matter only and form no part of the claimed design. The dash-dot line represents the boundary of the claimed design.

**1 Claim, 14 Drawing Sheets**



# US D684,123 S

Page 2

---

## U.S. PATENT DOCUMENTS

D470,110 S *	2/2003	Yamane .....	D13/147	D581,367 S *	11/2008	Hoshino et al. ....	D13/154
D482,327 S *	11/2003	Saito et al. ....	D13/147	D600,209 S *	9/2009	Matoba .....	D13/147
D500,985 S *	1/2005	Yamane et al. ....	D13/147	D600,647 S *	9/2009	Hemmi et al. ....	D13/147
D516,524 S *	3/2006	Su .....	D13/154	D602,876 S *	10/2009	Yu .....	D13/154
D576,558 S *	9/2008	Chiang .....	D13/154	D630,584 S *	1/2011	Hirayama et al. ....	D13/147

\* cited by examiner

Fig. 1

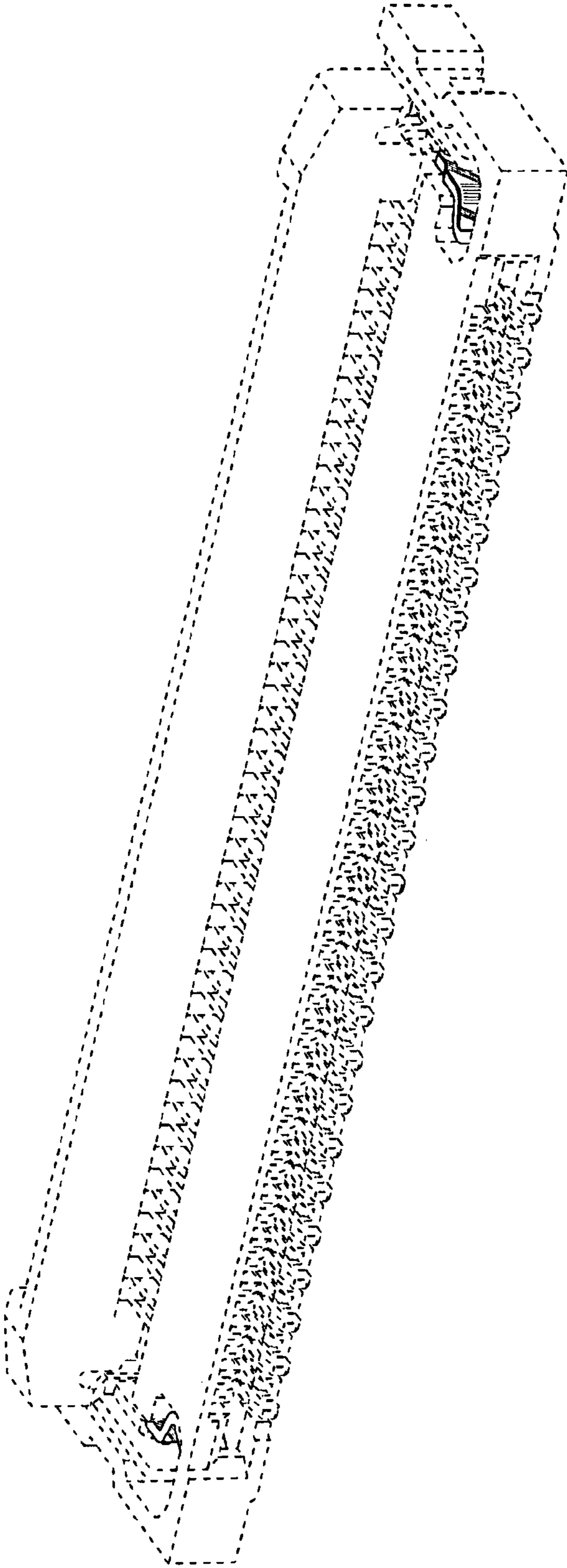


Fig. 2

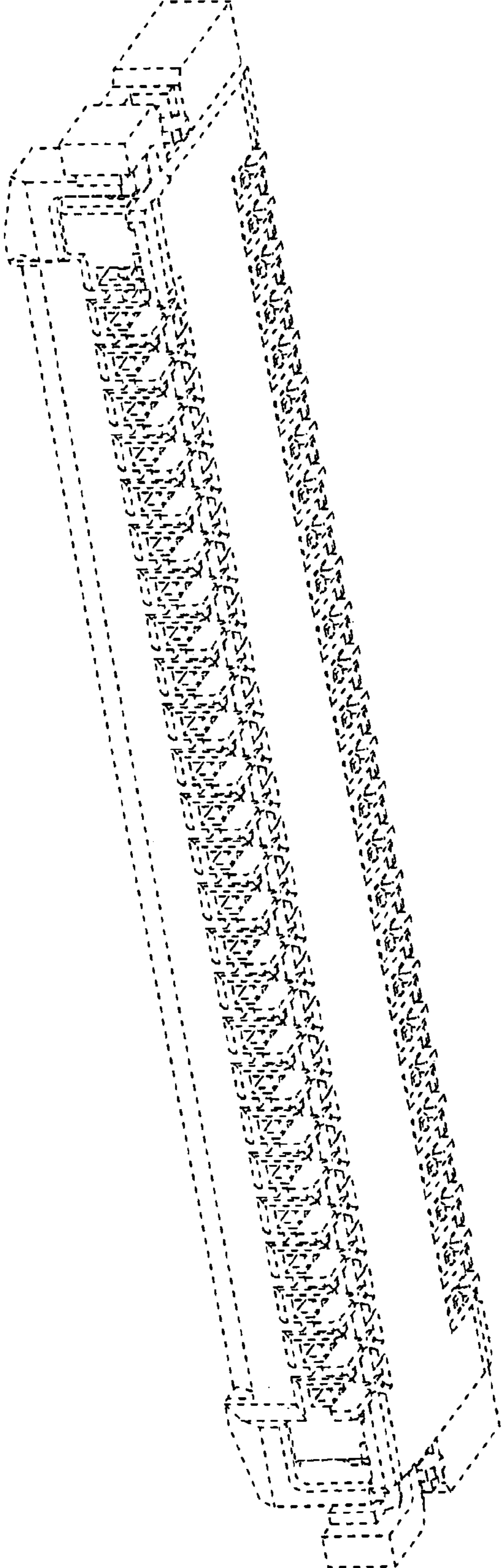


Fig. 3

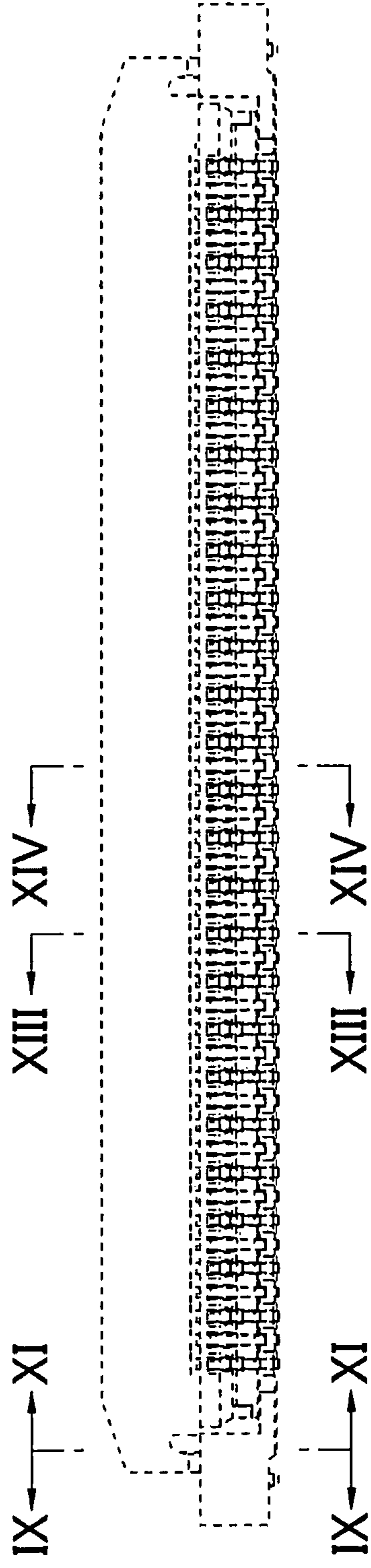


Fig. 4

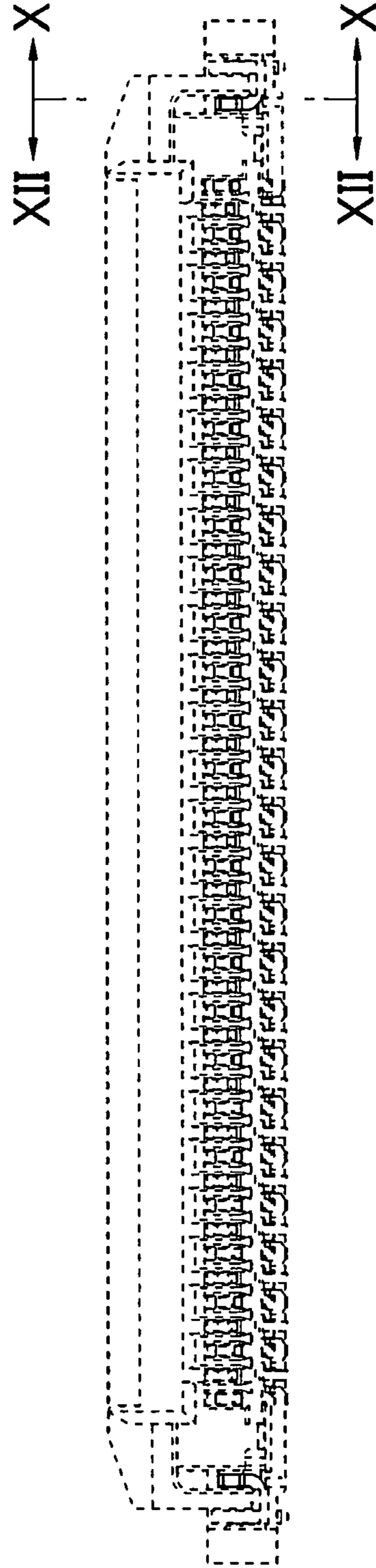


Fig. 6

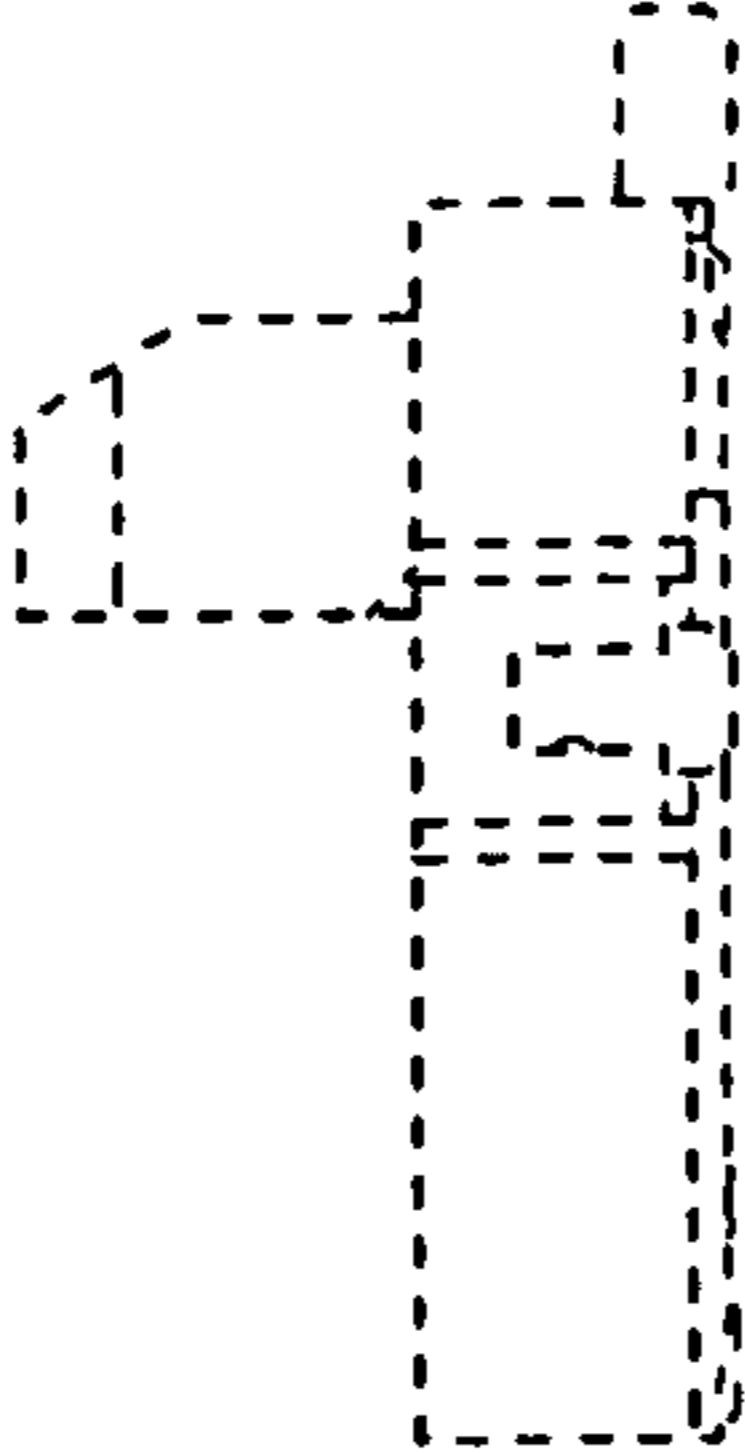


Fig. 5

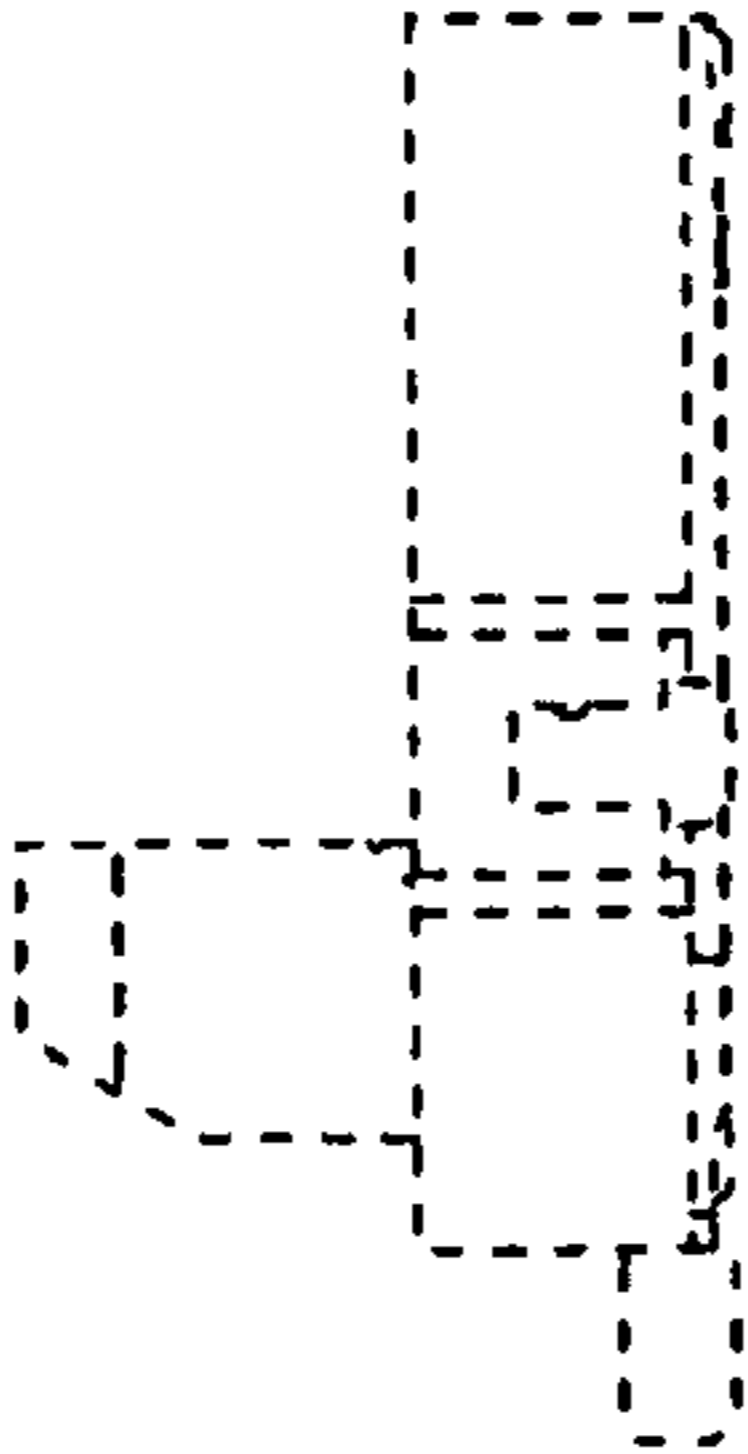


Fig. 7

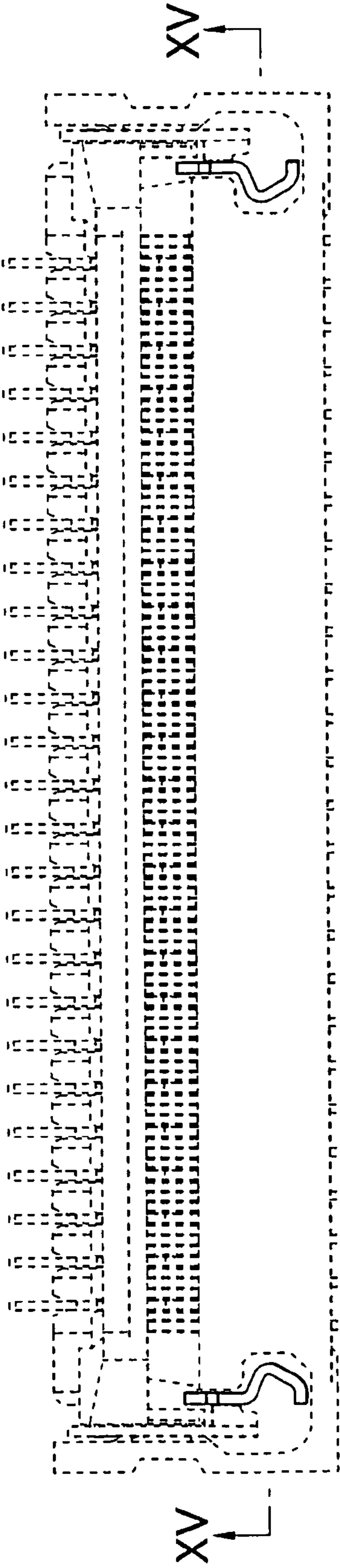
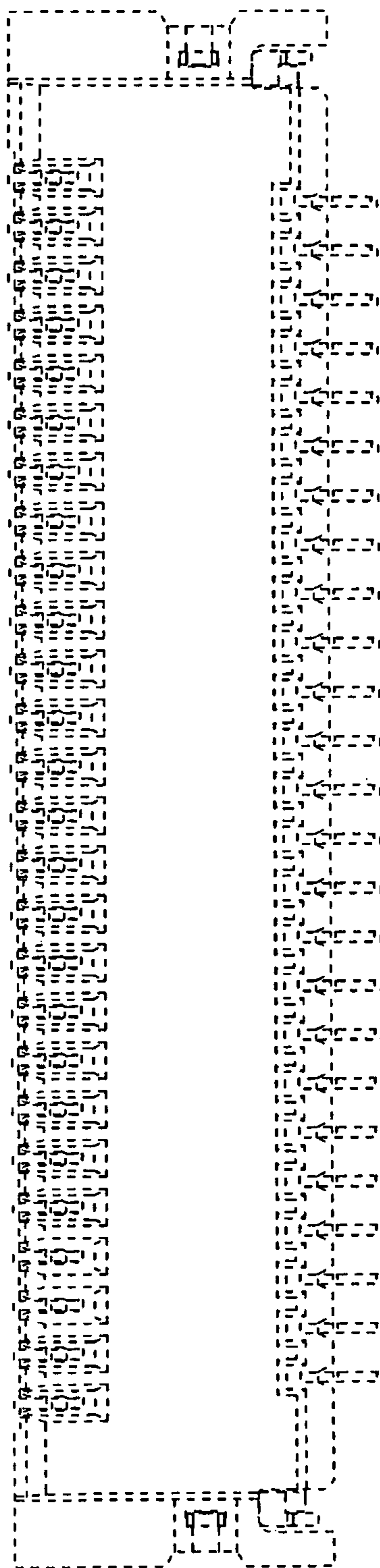


Fig. 8





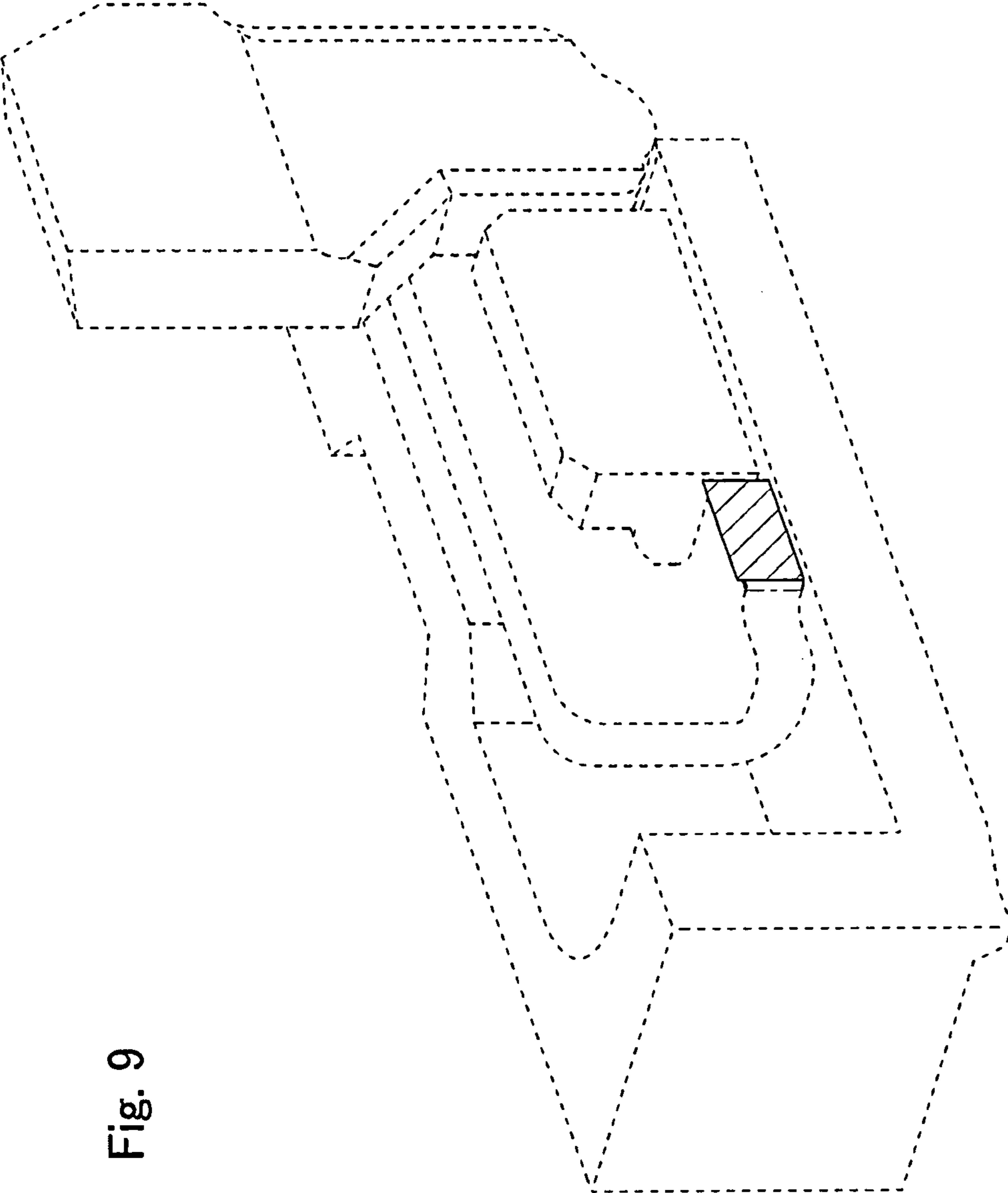


Fig. 9

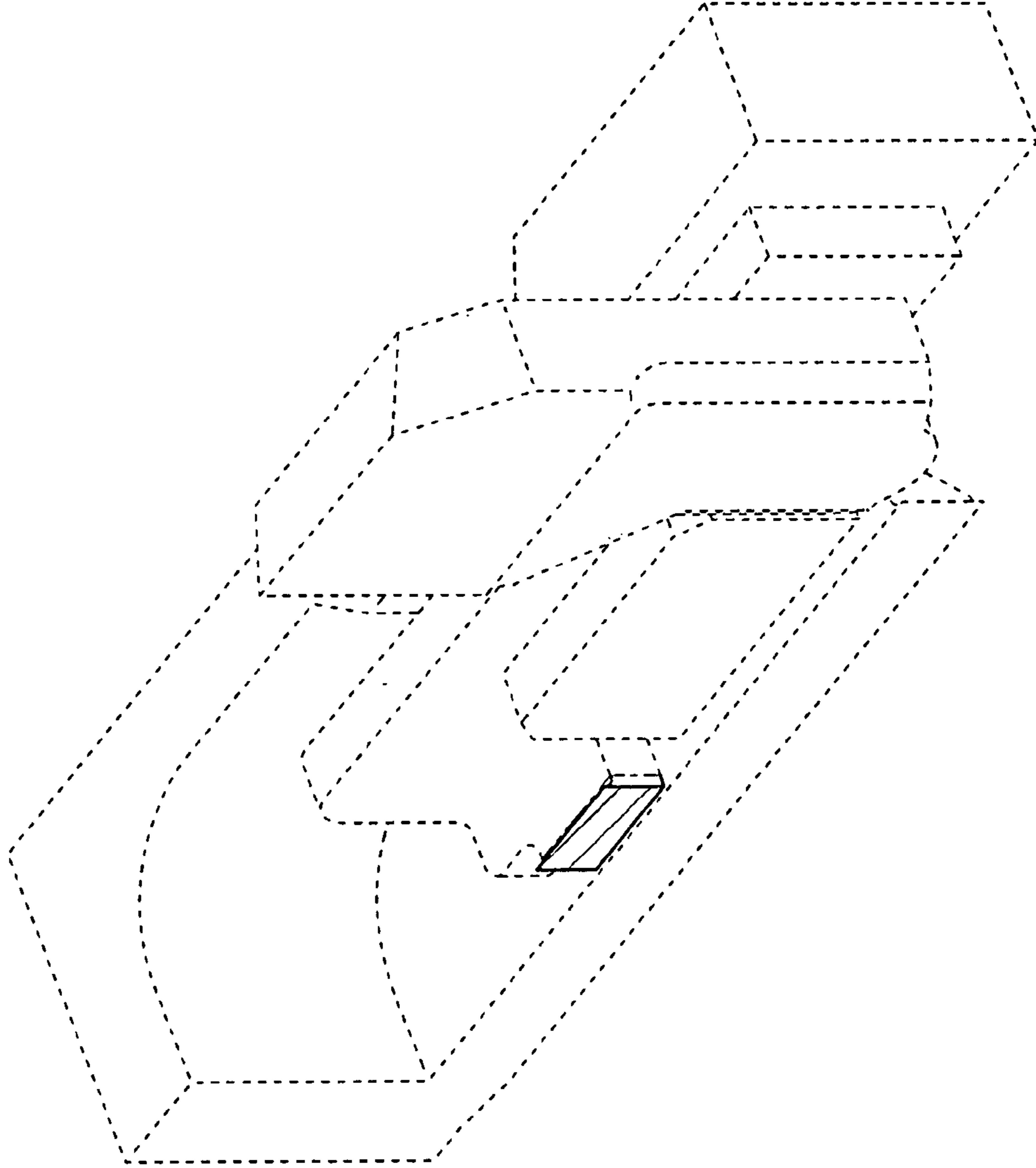


Fig. 10

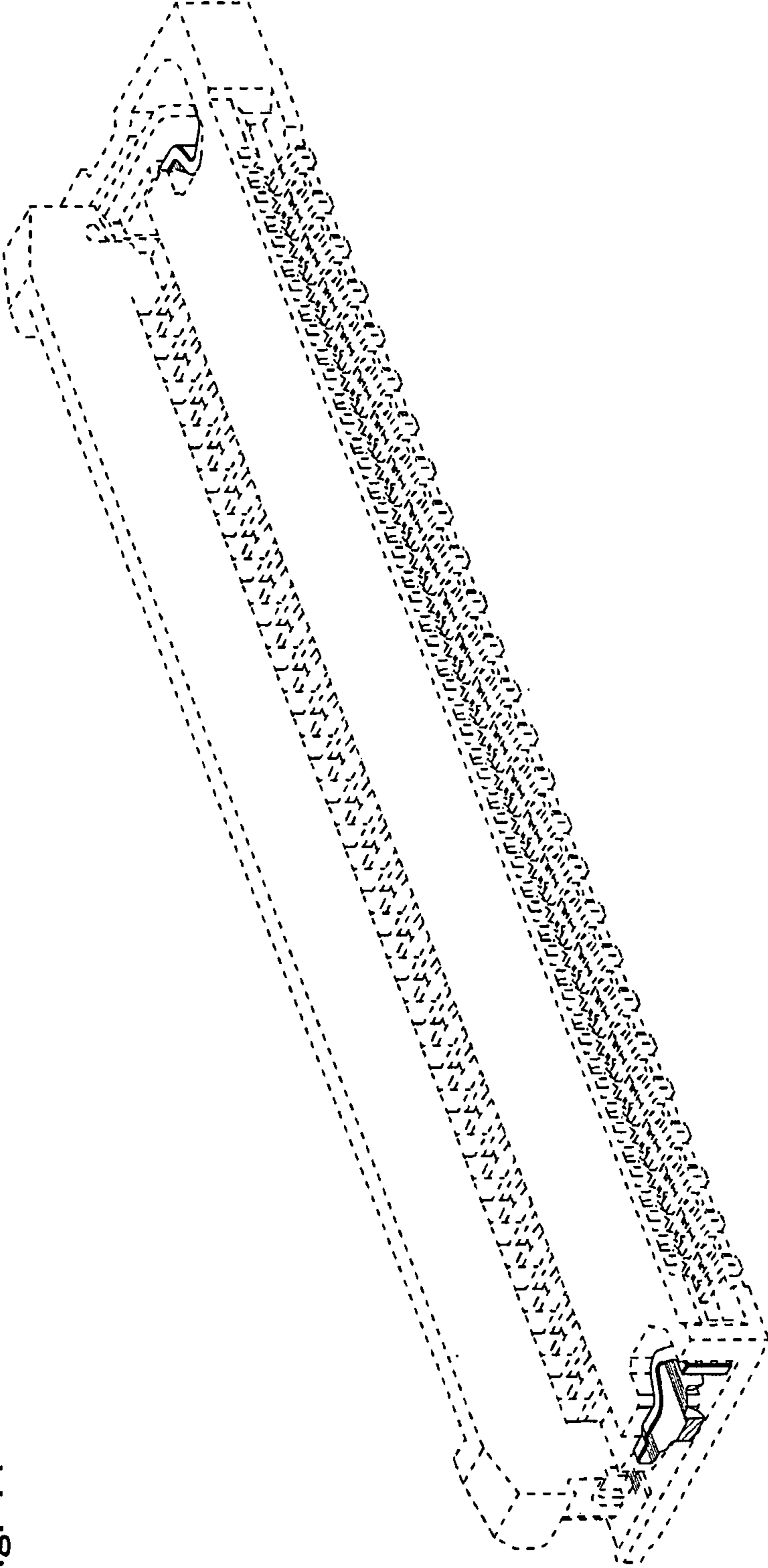


Fig. 11

Fig. 12

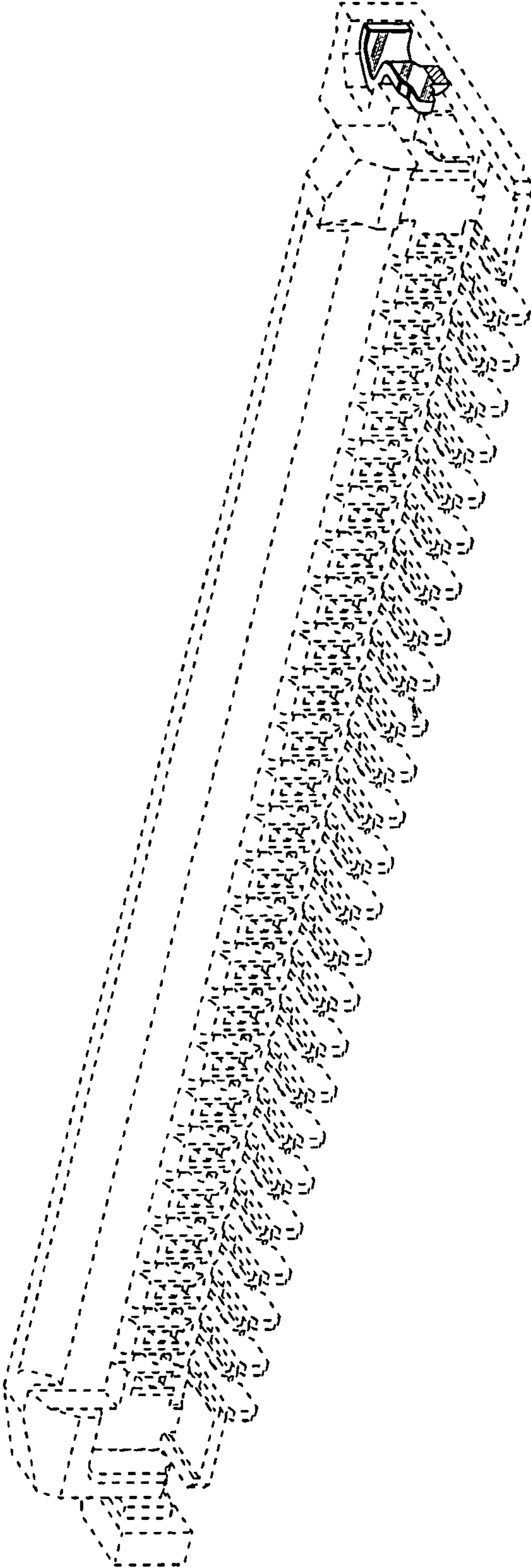
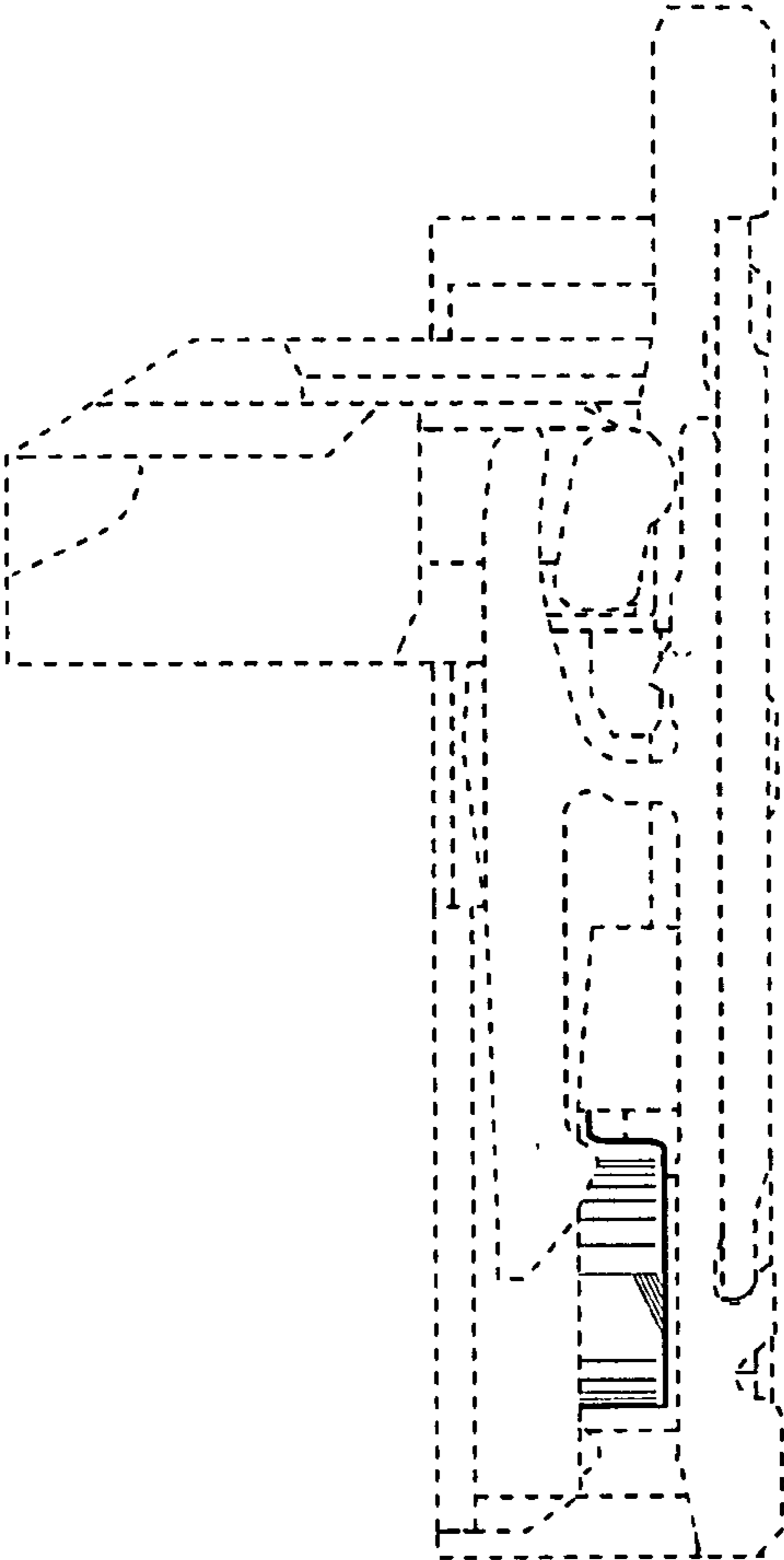


Fig. 13



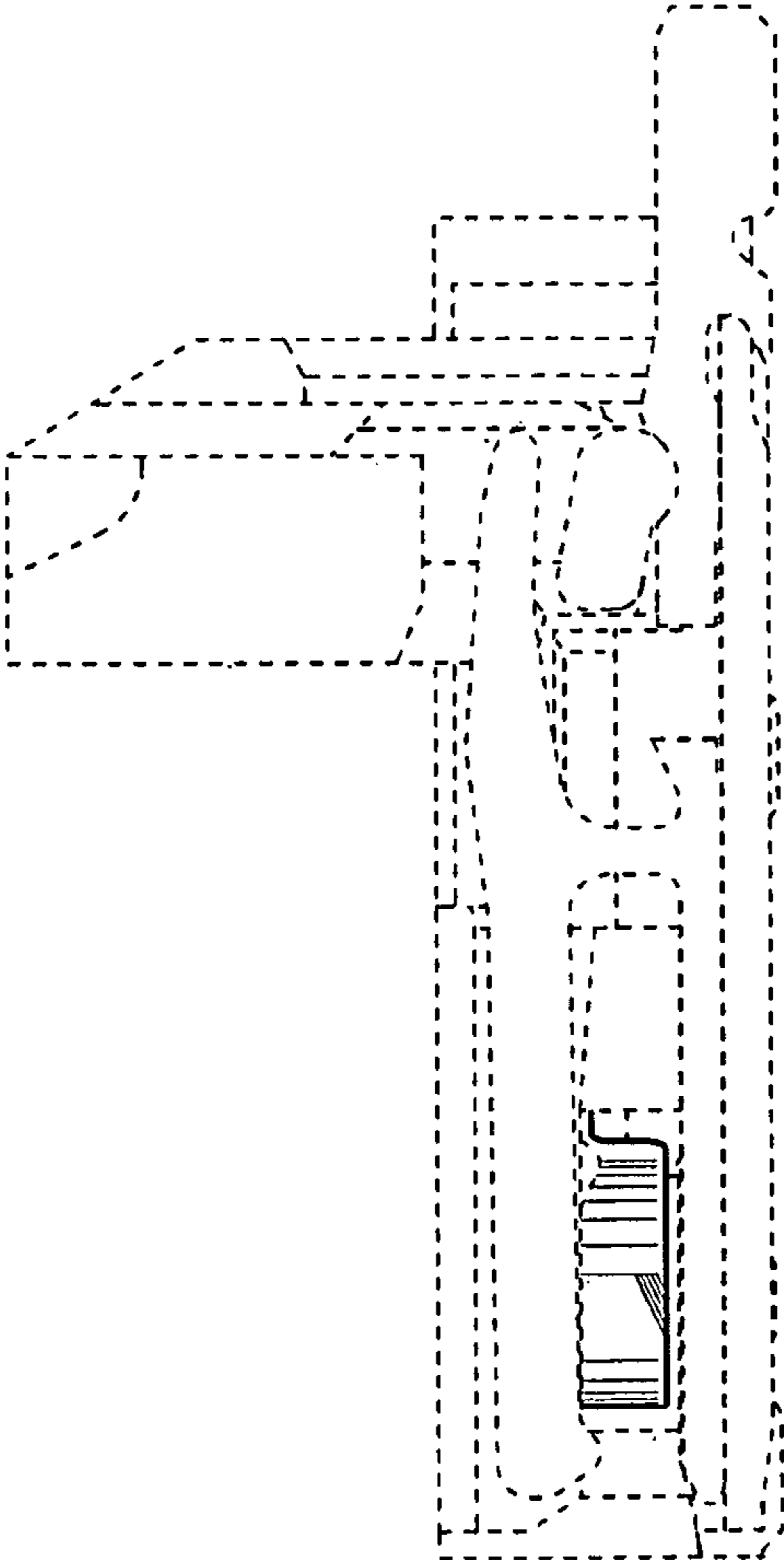


Fig. 14

Fig. 15

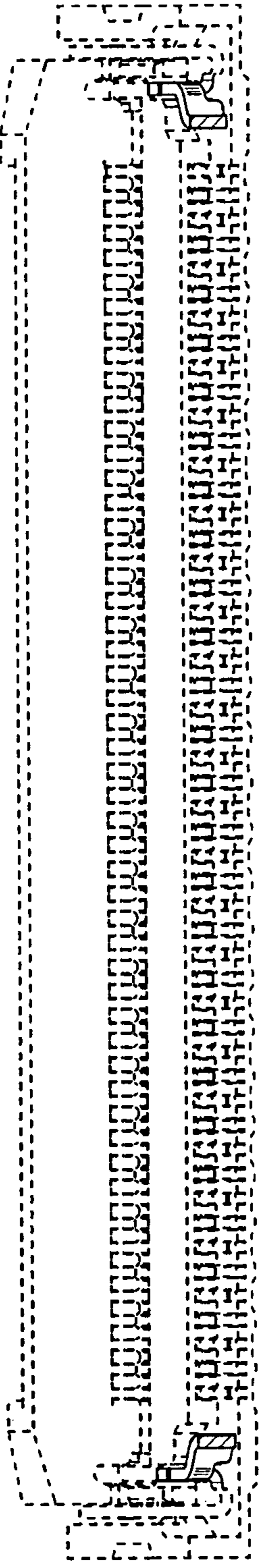


Fig. 16

