



US00D684122S

(12) **United States Design Patent**
Strater

(10) **Patent No.:** **US D684,122 S**
(45) **Date of Patent:** **** Jun. 11, 2013**

- (54) **CABLE IDENTIFIER**
- (76) Inventor: **Erin Strater**, Los Angeles, CA (US)
- (**) Term: **14 Years**
- (21) Appl. No.: **29/417,530**
- (22) Filed: **Apr. 4, 2012**
- (51) **LOC (9) Cl.** **13-03**
- (52) **U.S. Cl.**
USPC **D13/153**
- (58) **Field of Classification Search**
USPC D13/133, 138.1, 139.1, 152, 153,
D13/154, 156, 157; D14/184, 199, 205, 228,
D14/238.1; 439/892, 894, 901; 379/431;
D20/22; D9/415, 702, 711, 713, 715
See application file for complete search history.

(56) **References Cited**

U.S. PATENT DOCUMENTS

- D380,663 S * 7/1997 Nakamura D8/354
- D586,755 S * 2/2009 Ledbetter et al. D13/154
- D593,152 S * 5/2009 Hammad et al. D19/10
- D597,824 S * 8/2009 Wang D8/356
- D608,353 S * 1/2010 Tsai D14/228
- D613,137 S * 4/2010 Wieberdink et al. D8/14
- D614,018 S * 4/2010 McClanahan et al. D8/356

OTHER PUBLICATIONS

<http://buoytags.com/> searched RMS Apr. 11, 2013.*
<http://www.stickngo.com/> searched RMS Apr. 11, 2013.*

* cited by examiner

Primary Examiner — Robert M Spear
Assistant Examiner — Rhea Shields
(74) *Attorney, Agent, or Firm* — James R. Gourley;
Carstens & Cahoon, LLP

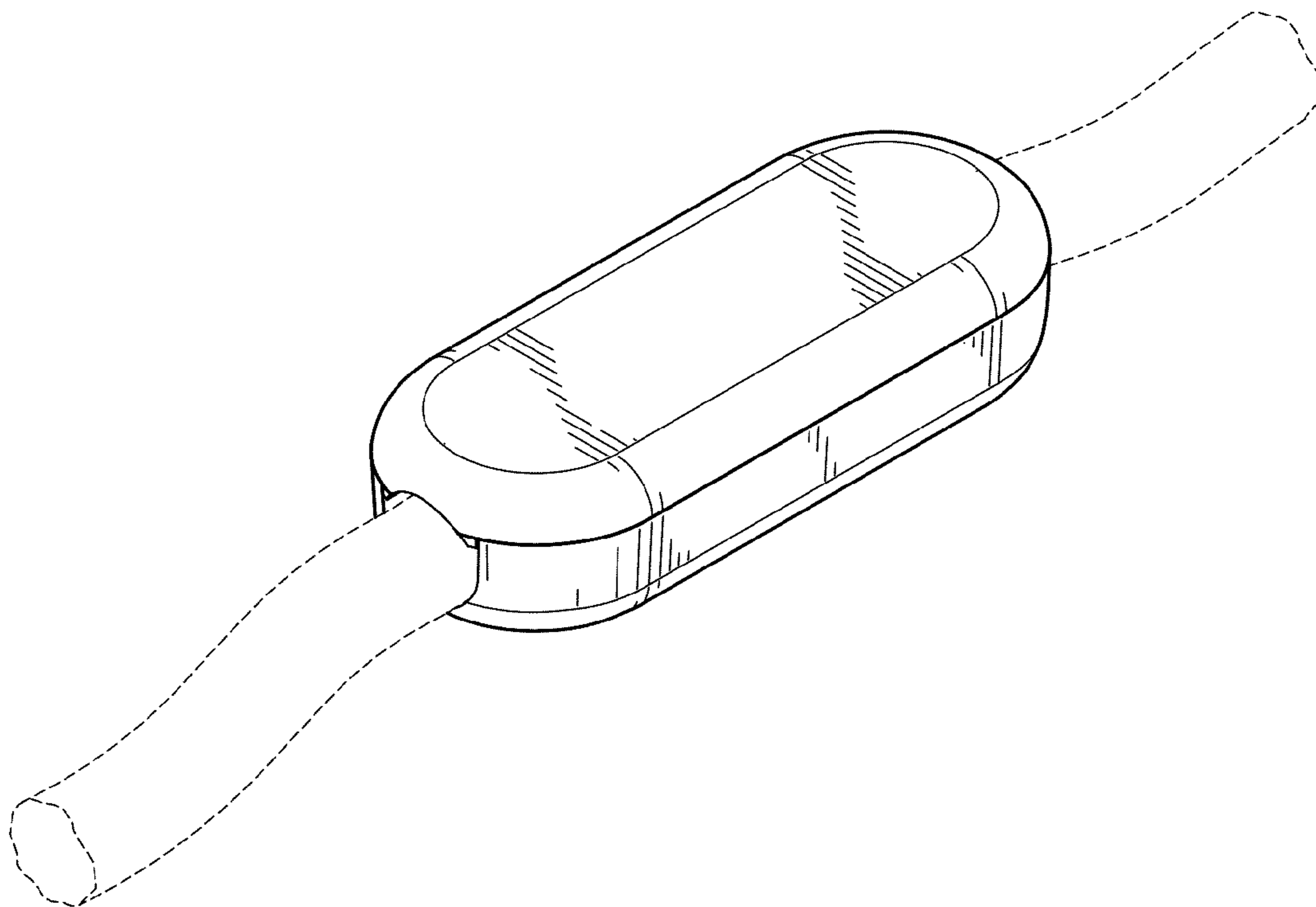
(57) **CLAIM**

The ornamental design for a cable identifier, as shown and described.

DESCRIPTION

FIG. 1 is a perspective view of the cable identifier of the present in use;
FIG. 2 is a perspective view of the cable identifier of the present invention;
FIG. 3 is a side view of the cable identifier of the present invention, the opposite side view being a mirror image thereof;
FIG. 4 is a front view of the cable identifier of the present invention, the back view being a mirror image thereof; and,
FIG. 5 is a top view of the cable identifier of the present invention, the bottom view being a mirror image thereof.
The broken lines in the figures illustrate unclaimed environment only and form no part of the claimed design.

1 Claim, 2 Drawing Sheets



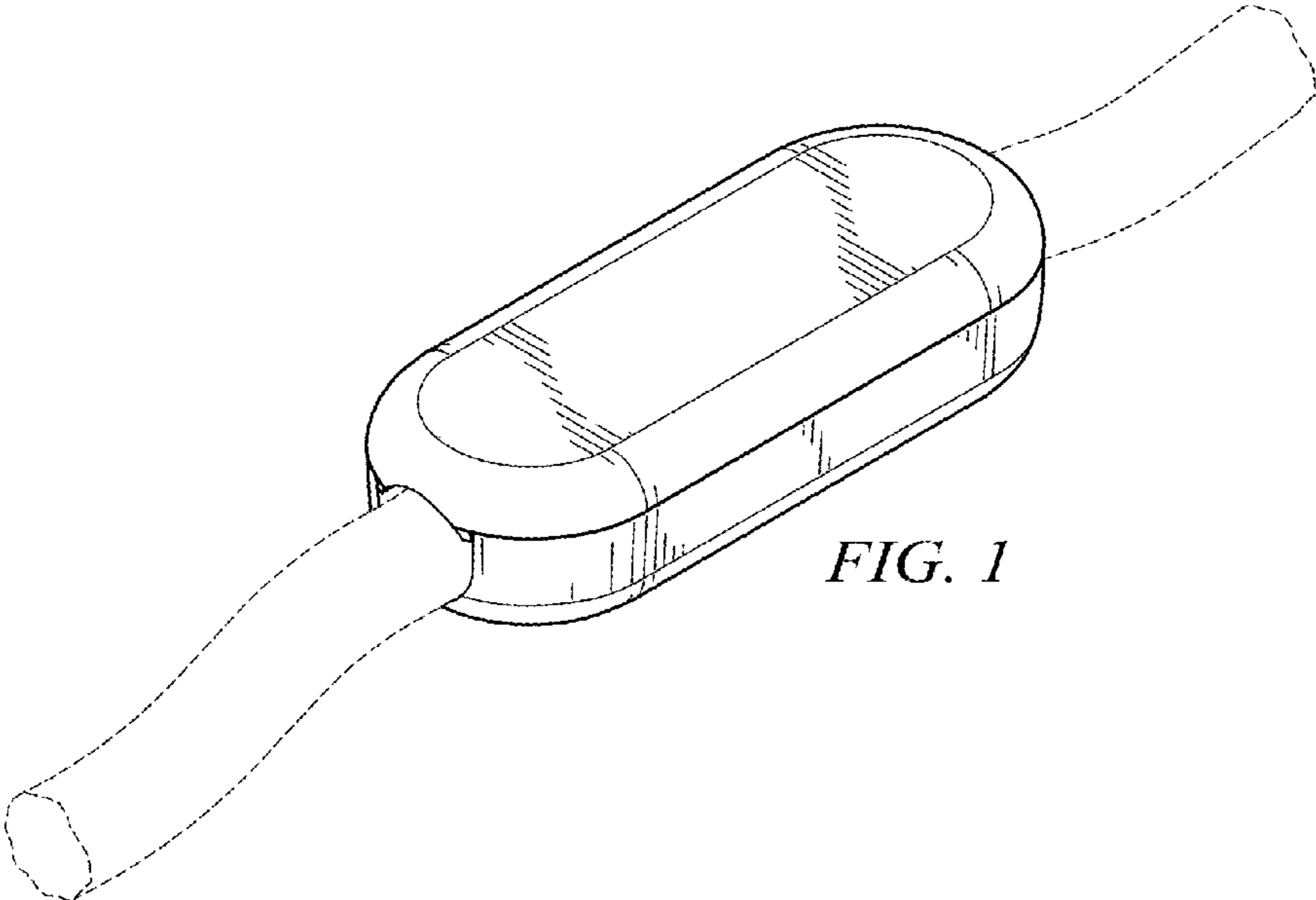


FIG. 1

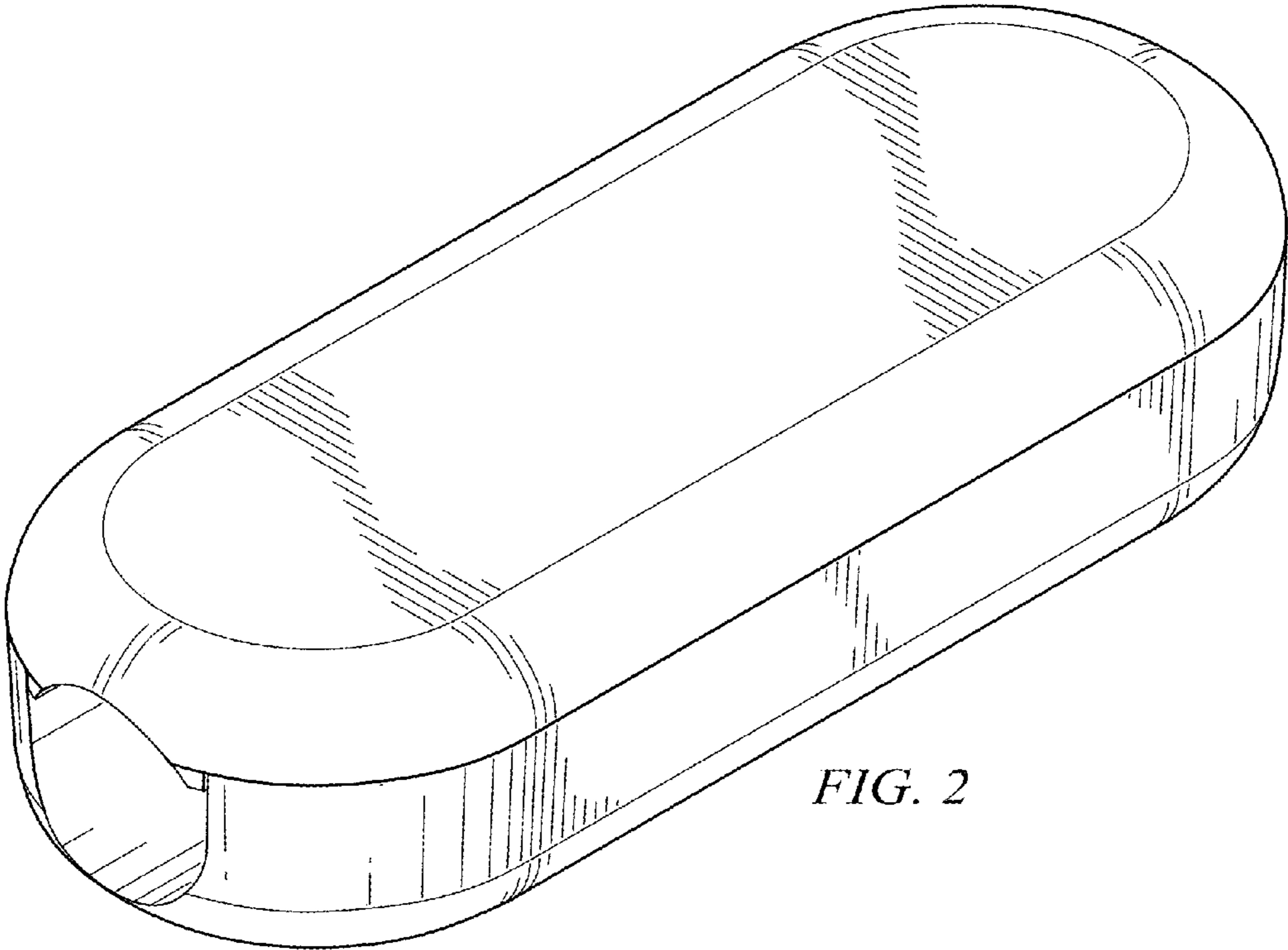


FIG. 2

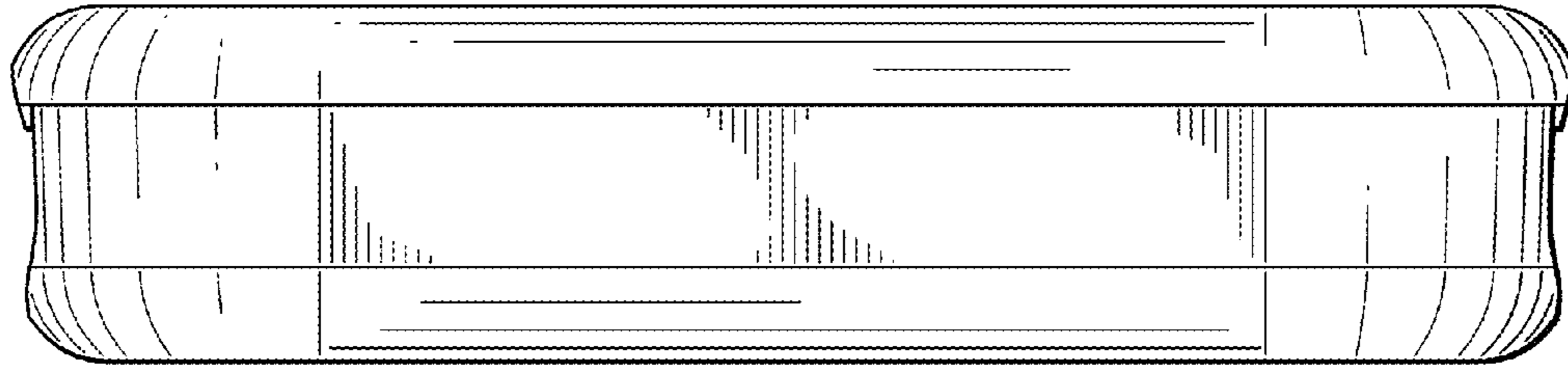


FIG. 3

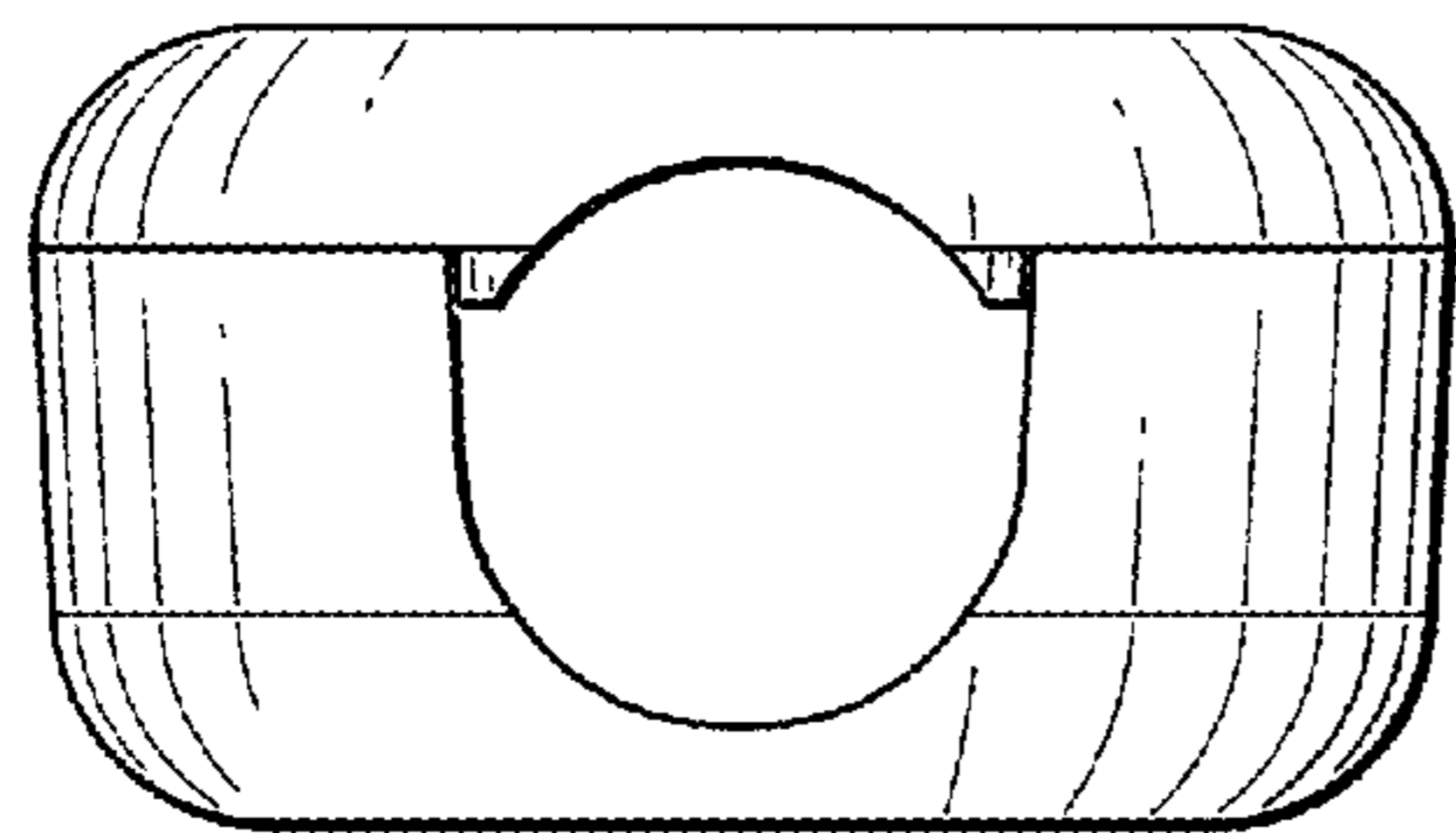


FIG. 4

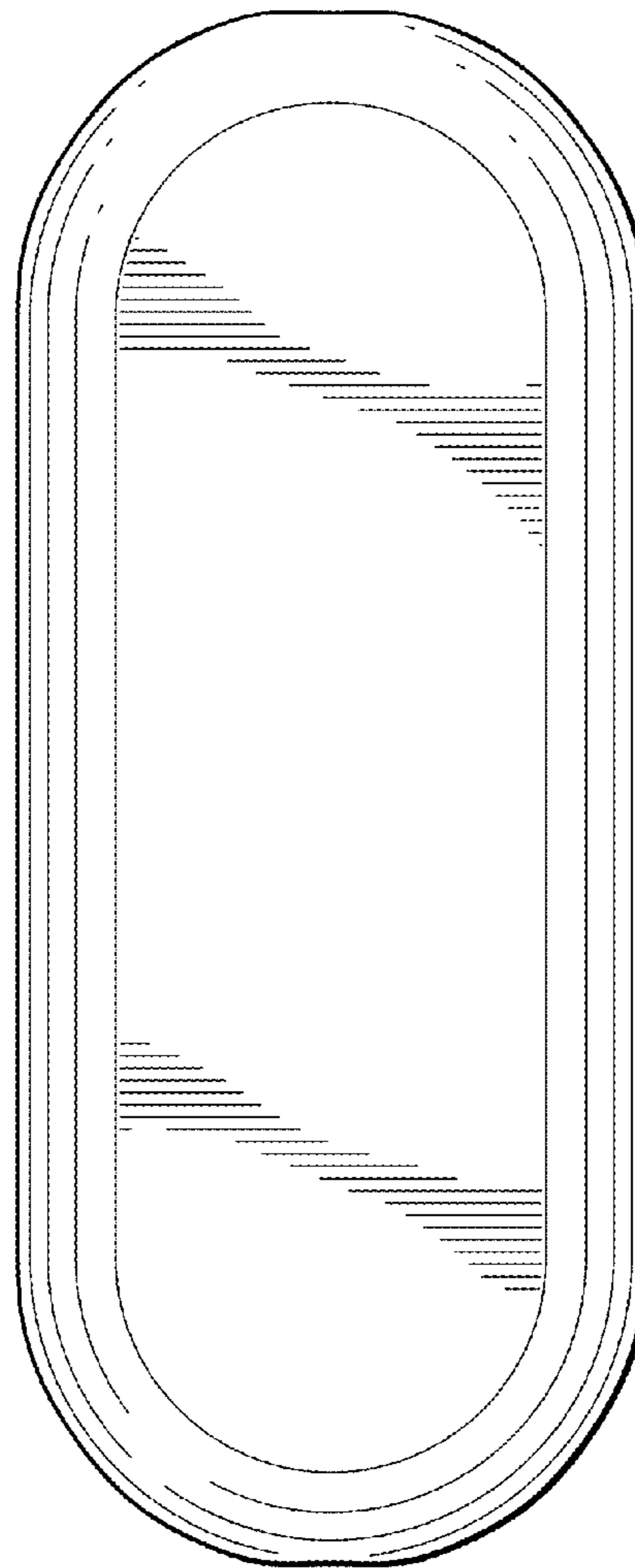


FIG. 5