



US00D684120S

(12) **United States Design Patent**
Miyazaki et al.

(10) **Patent No.:** **US D684,120 S**
(45) **Date of Patent:** **** Jun. 11, 2013**

(54) **CONNECTOR**

(75) Inventors: **Yoji Miyazaki**, Mie (JP); **Tomonori Tanaka**, Mie (JP)

(73) Assignee: **Panasonic Corporation**, Osaka (JP)

(**) Term: **14 Years**

(21) Appl. No.: **29/431,240**

(22) Filed: **Sep. 5, 2012**

(30) **Foreign Application Priority Data**

Mar. 7, 2012 (JP) 2012-005089
Mar. 7, 2012 (JP) 2012-005090

(51) **LOC (9) Cl.** **13-03**

(52) **U.S. Cl.**
USPC **D13/147**

(58) **Field of Classification Search**
USPC D13/120, 133, 147, 154, 184, 199;
439/78-79, 83, 108, 181, 607.01, 607.04,
439/607.05, 607.17, 607.25, 607.34, 74,
439/607.41, 607.53, 630, 660
See application file for complete search history.

(56) **References Cited**

U.S. PATENT DOCUMENTS

D453,734 S *	2/2002	Shimoyama et al.	D13/147
D501,448 S *	2/2005	Ishikawa	D13/147
D539,225 S *	3/2007	Kishi et al.	D13/147
D582,858 S *	12/2008	Hoshino et al.	D13/147
D603,798 S *	11/2009	Obikane et al.	D13/147
D603,801 S *	11/2009	Obikane et al.	D13/147
D642,535 S *	8/2011	Sato et al.	D13/147

FOREIGN PATENT DOCUMENTS

JP	D1283227 S	10/2006
JP	D1418225 S	7/2011
JP	D1418227 S	7/2011

* cited by examiner

Primary Examiner — Daniel Bui

(74) *Attorney, Agent, or Firm* — Brinks Hofer Gilson & Lione

(57) **CLAIM**

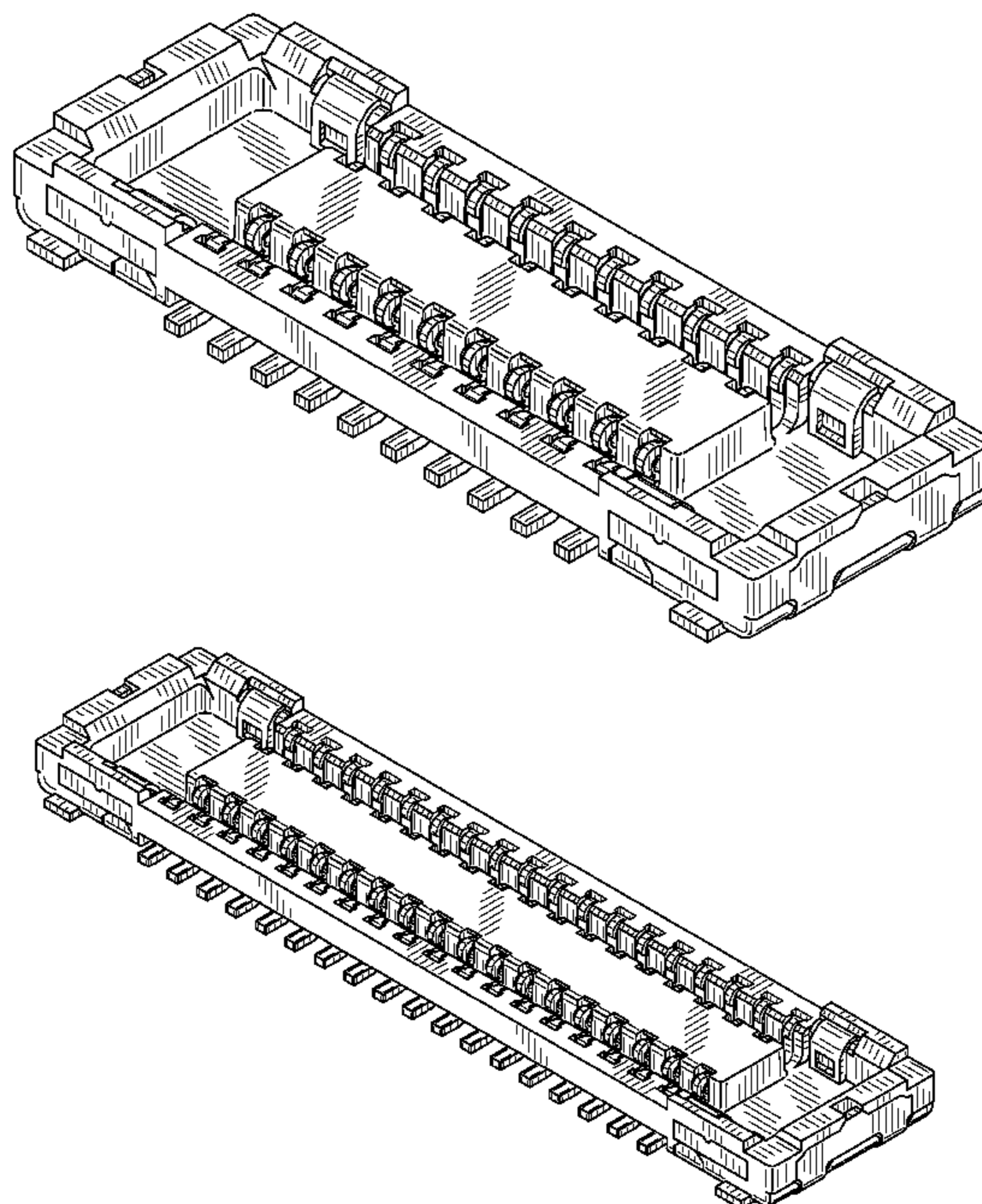
We claim the ornamental design for a connector, as shown and described.

DESCRIPTION

FIG. 1 is a top perspective view of a first embodiment of a connector showing our new invention; FIG. 2 is a front elevation view thereof; FIG. 3 is a first side elevation view thereof, the second side view being a mirror image thereof; FIG. 4 is a top plan view thereof; FIG. 5 is a bottom plan view thereof; FIG. 6 is a cross-section view taken along the line 6-6 of FIG. 2; FIG. 7 is a top perspective view of a second embodiment of a connector showing our new invention; FIG. 8 is a front elevation view thereof; FIG. 9 is a first side elevation view thereof, the second side view being a mirror image thereof; FIG. 10 is a top plan view thereof; FIG. 11 is a bottom plan view thereof; and, FIG. 12 is a cross-section view taken along the line 12-12 of FIG. 8.

The broken line in the drawing views is included to show unclaimed environment only and forms no part of the claimed design.

1 Claim, 12 Drawing Sheets



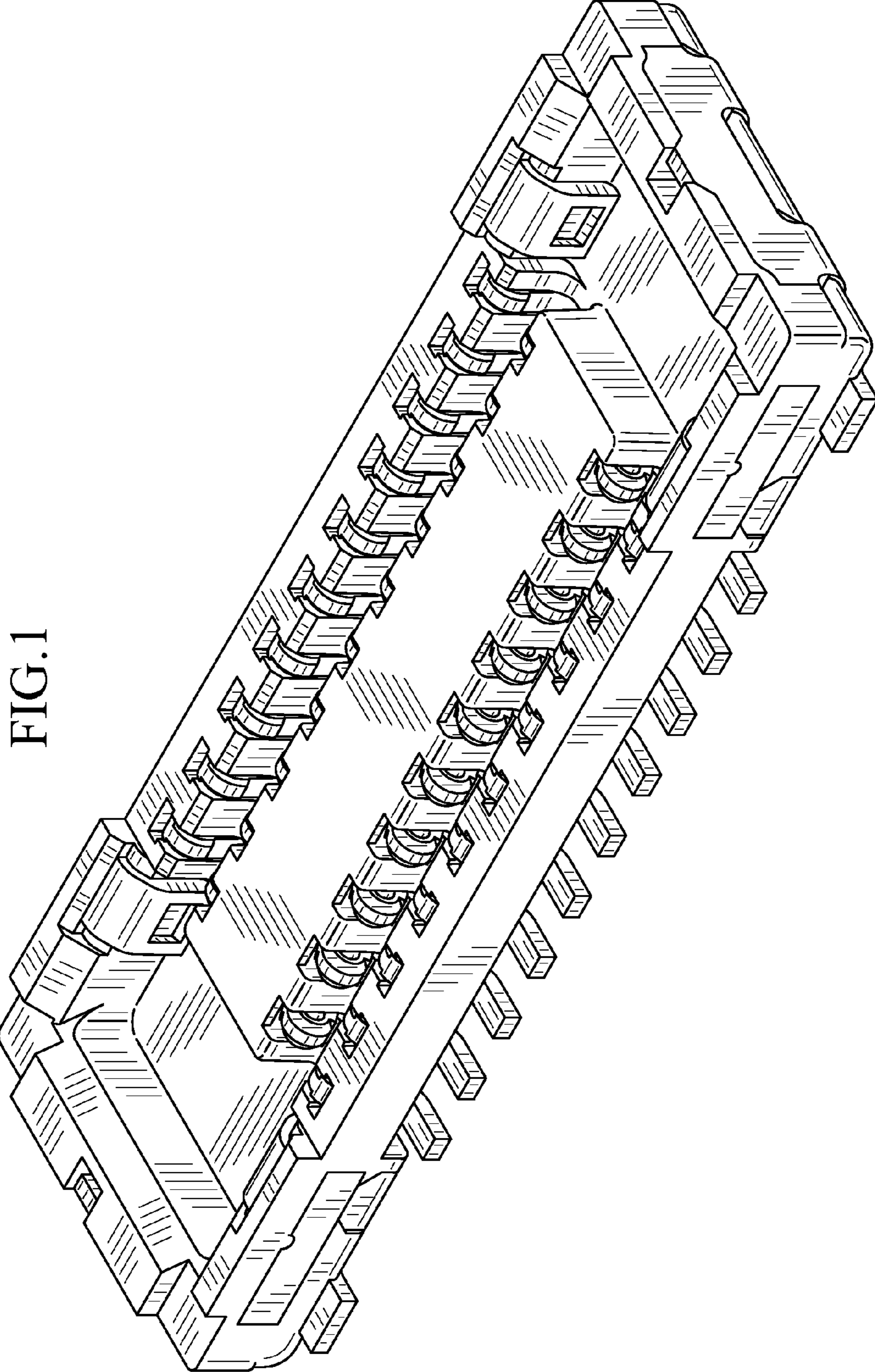


FIG. 1

FIG.2

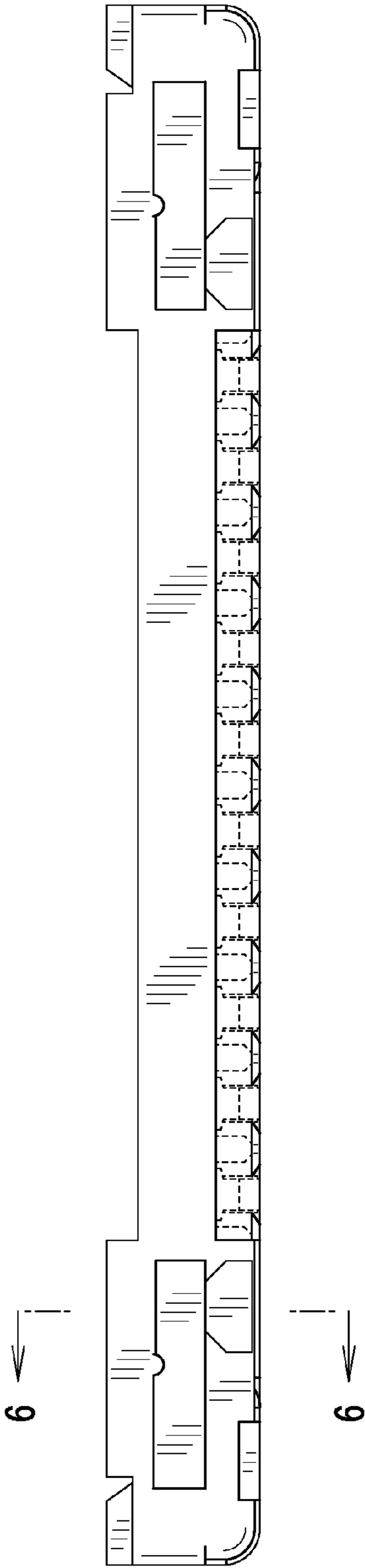


FIG.3

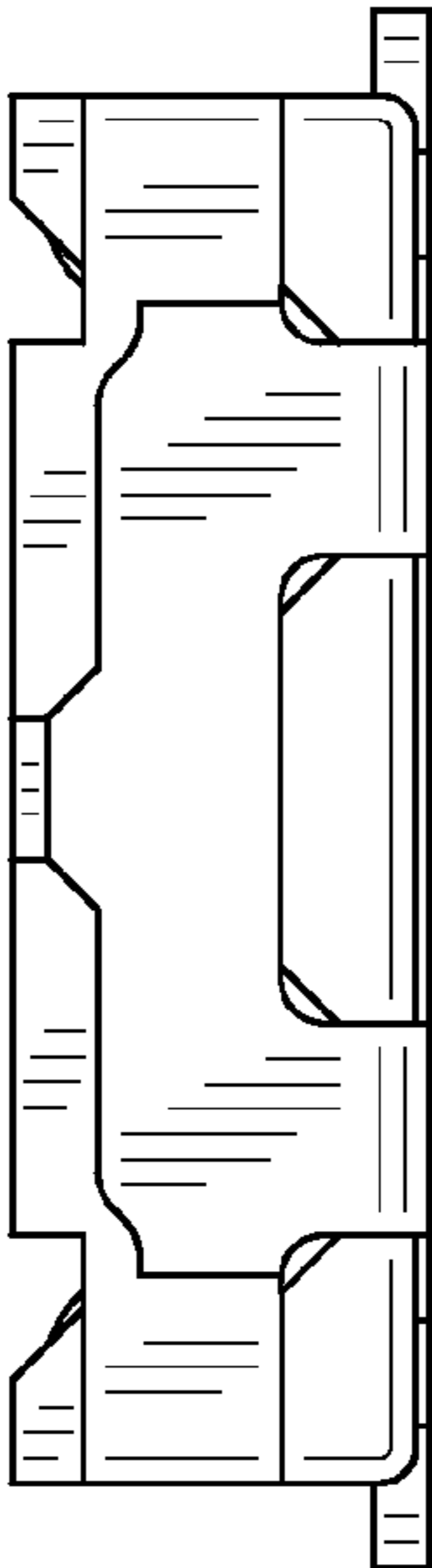


FIG.4

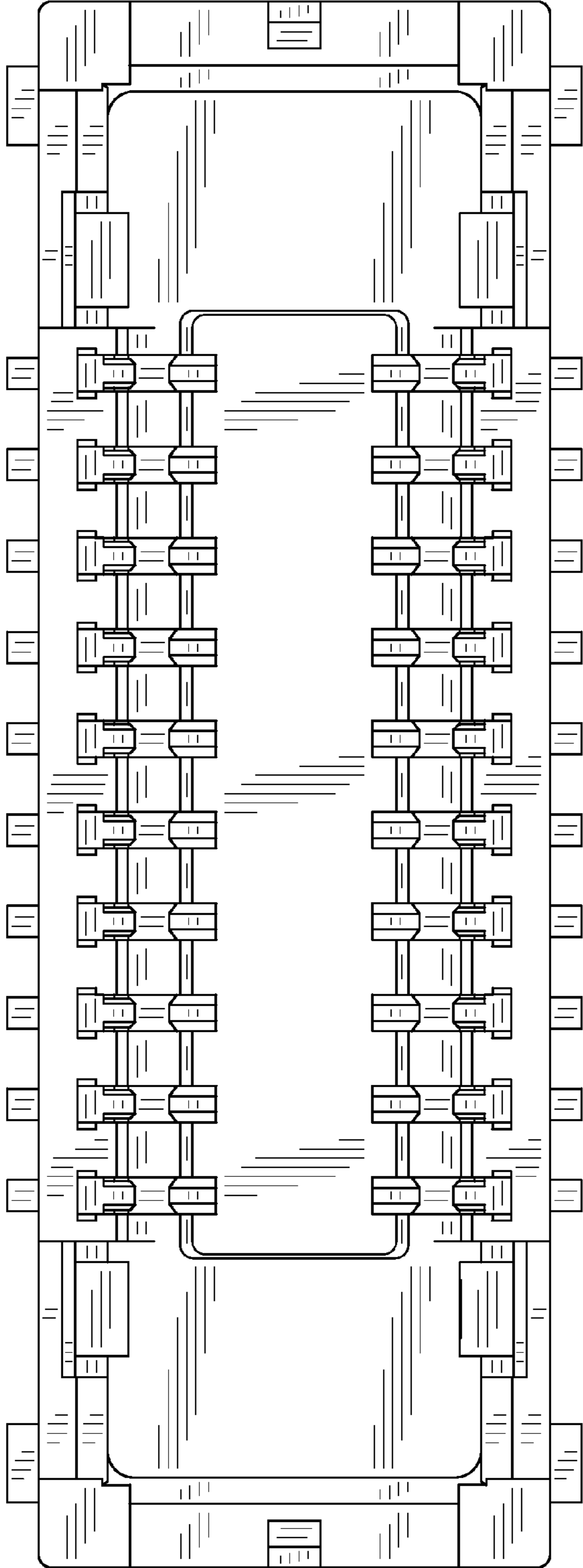


FIG. 5

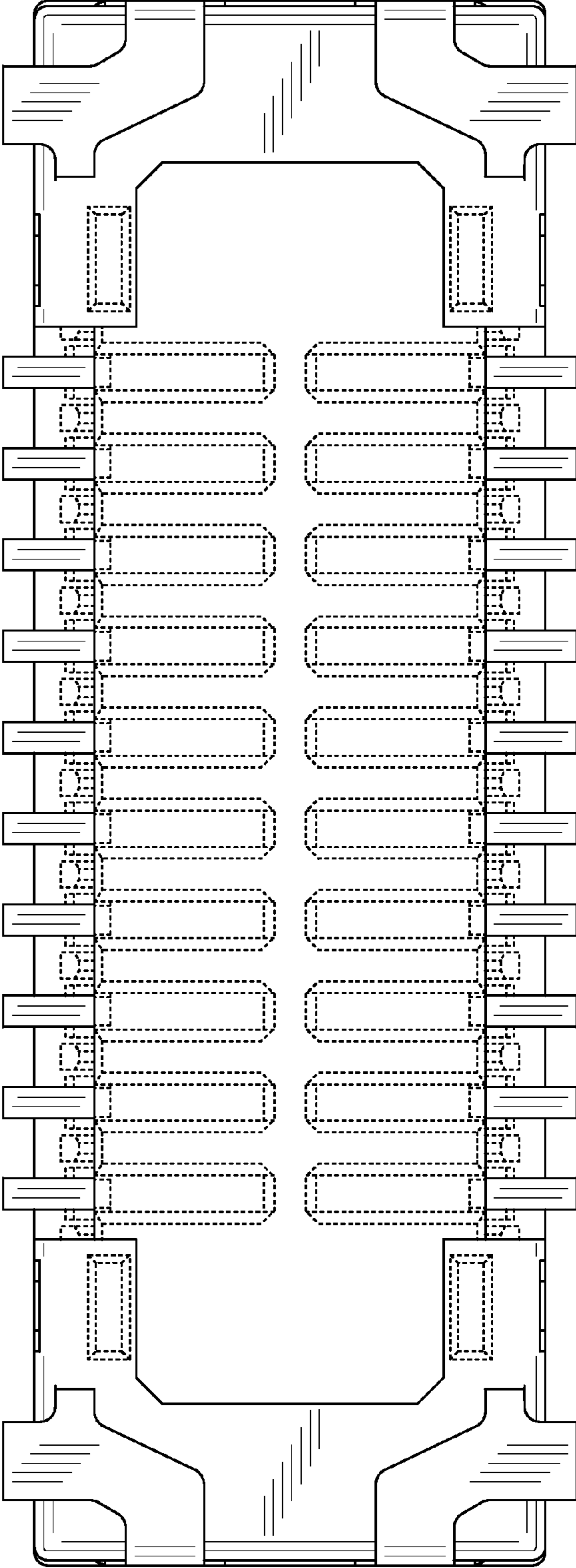


FIG. 6

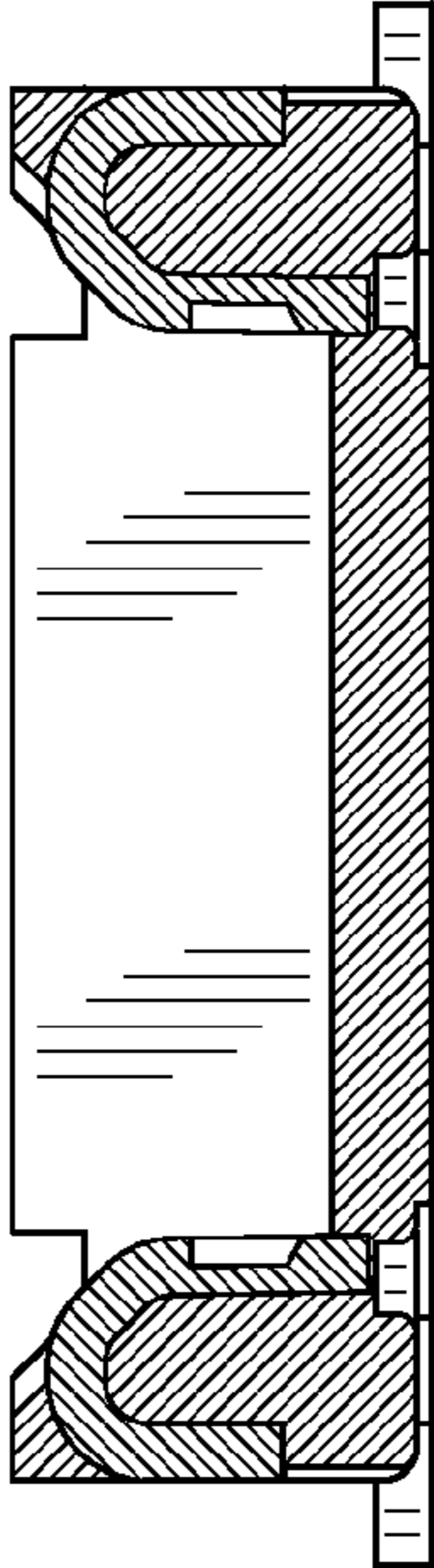


FIG. 7

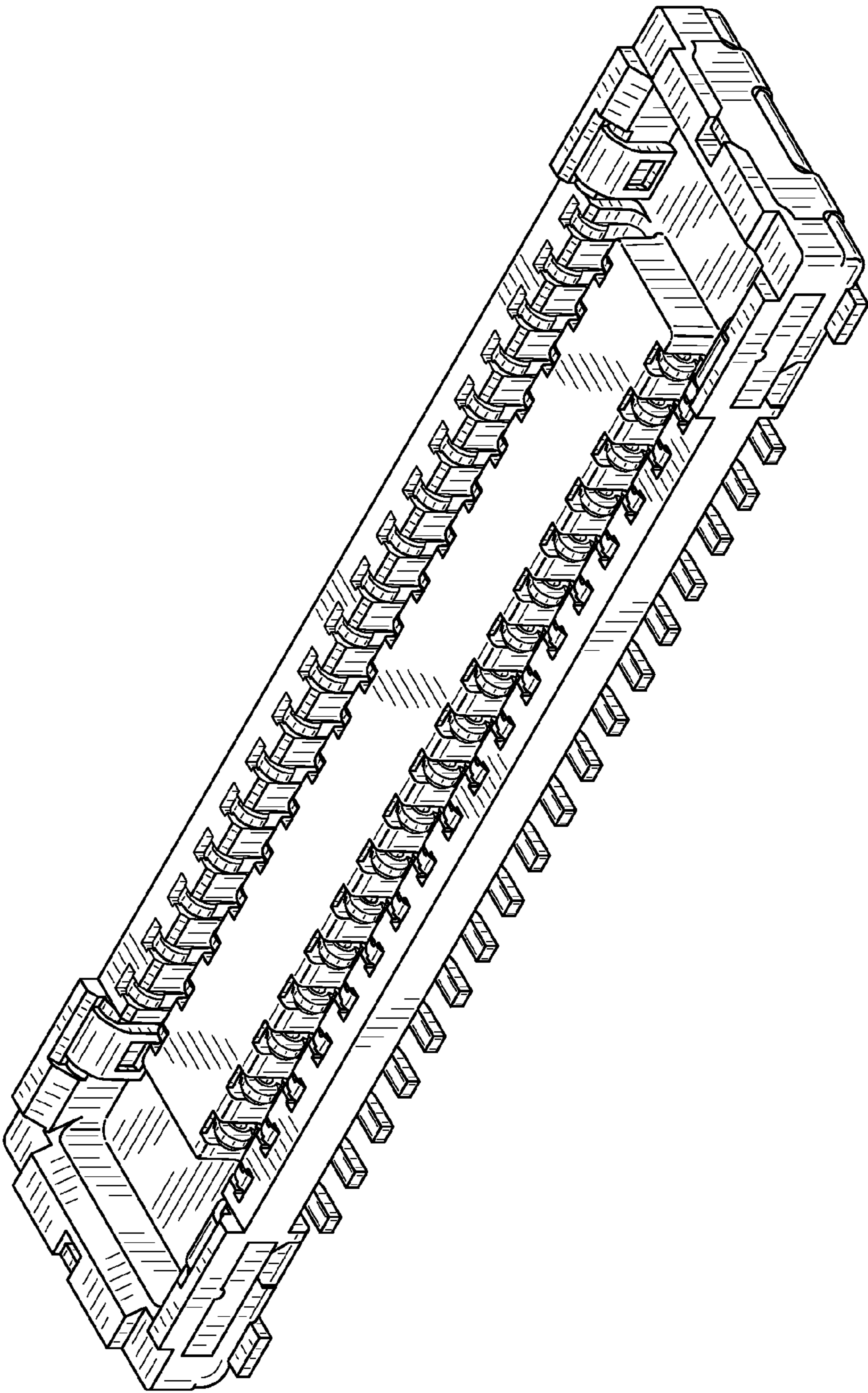


FIG.8

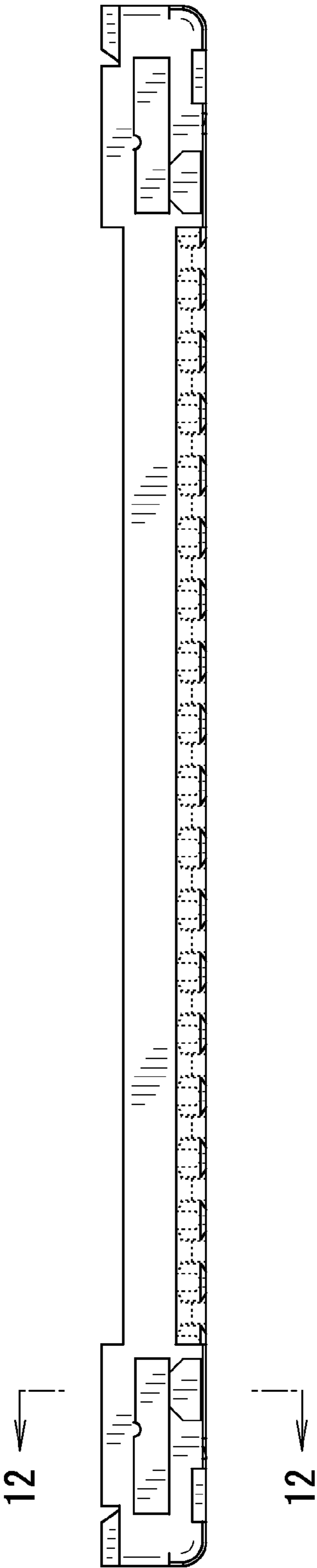


FIG.9

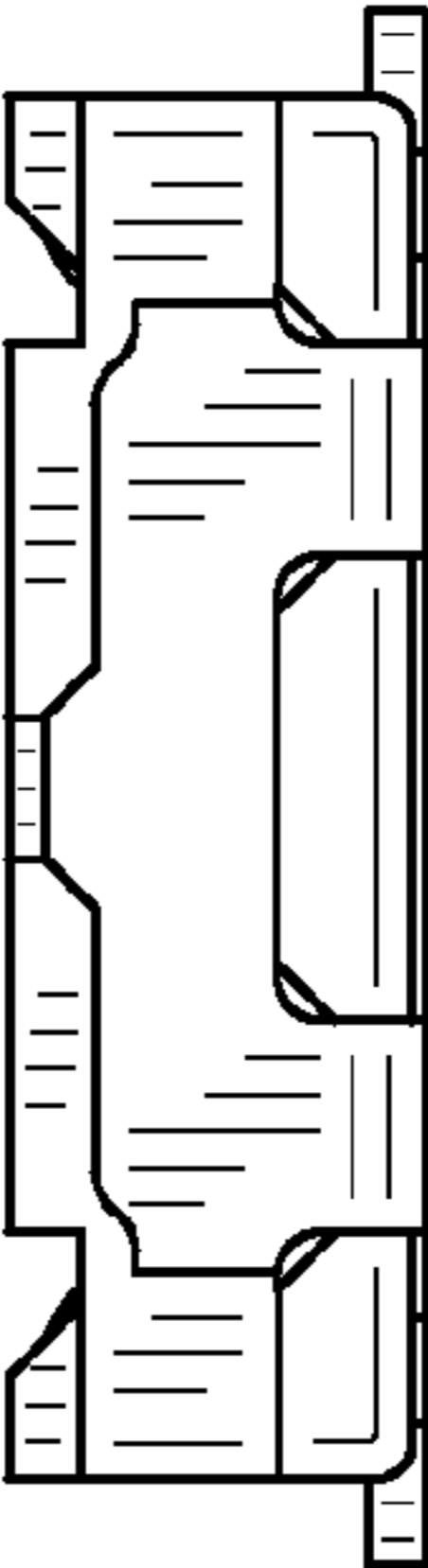


FIG.10

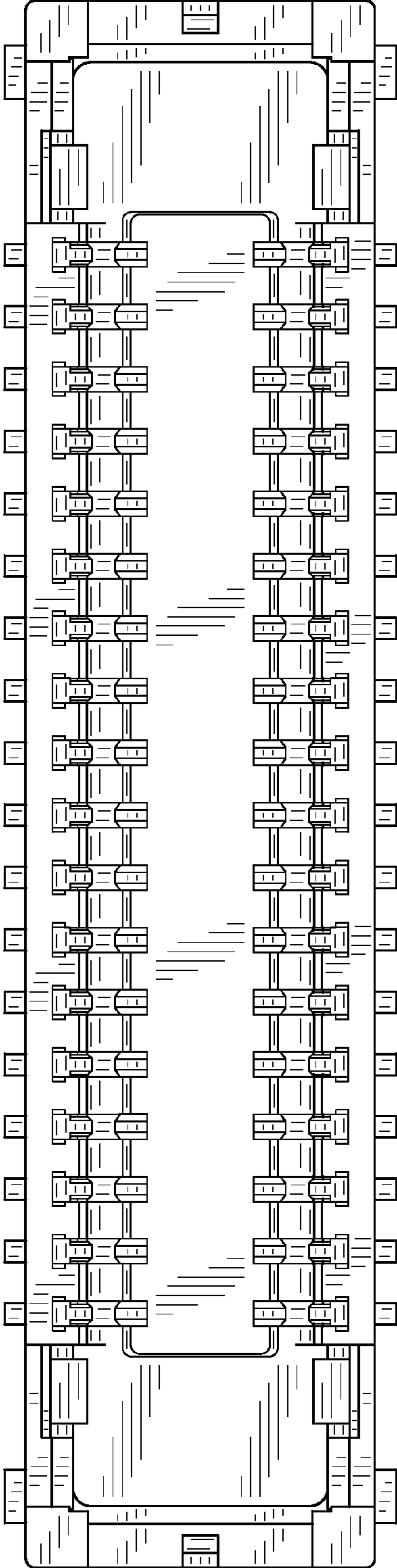


FIG.11

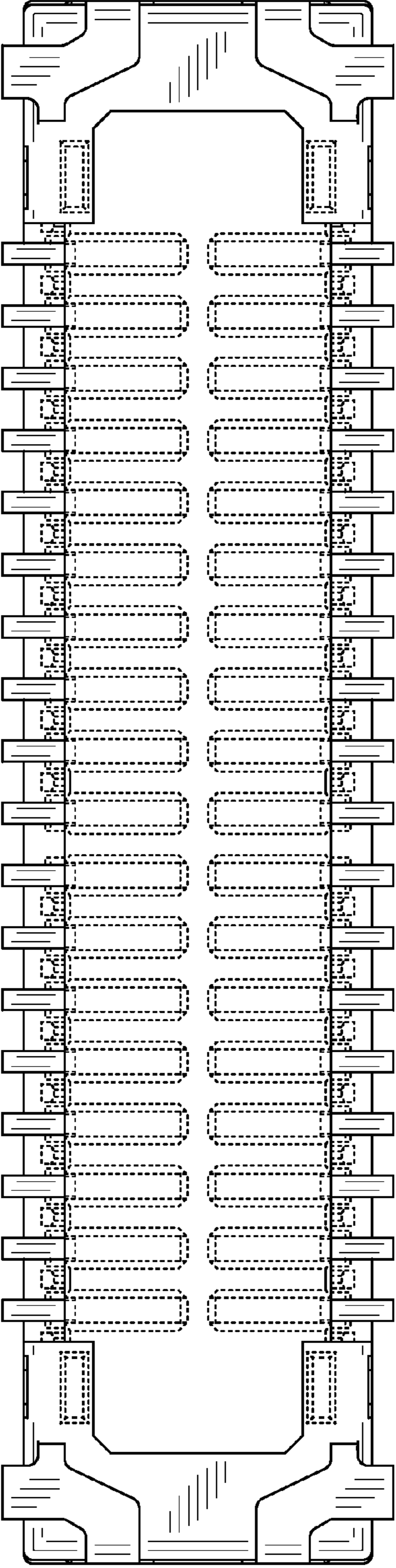


FIG.12

