



US00D684118S

(12) **United States Design Patent**
Yang et al.

(10) **Patent No.:** **US D684,118 S**
(45) **Date of Patent:** **** Jun. 11, 2013**

(54) **OPTICAL FIBER ADAPTOR**
(75) Inventors: **Guo Yang**, Guangdong (CN); **Qiyue Wang**, Guangdong (CN)
(73) Assignee: **SUNSEA Telecommunications Co., Ltd.**, Shenzhen, Guangdong (CN)

4,986,766 A * 1/1991 Leonard et al. 439/352
D317,148 S * 5/1991 Kozono et al. D13/146
D320,975 S * 10/1991 Kawashima et al. D13/147
D479,199 S * 9/2003 Jones et al. D13/147
D531,960 S * 11/2006 Kondas D13/147
D580,370 S * 11/2008 Ramsey D13/154
D655,677 S * 3/2012 Gouhl et al. D13/146

* cited by examiner

(**) Term: **14 Years**
(21) Appl. No.: **29/413,687**
(22) Filed: **Feb. 17, 2012**

Primary Examiner — Daniel Bui
(74) *Attorney, Agent, or Firm* — Panitch Schwarze Belisario & Nadel LLP

(30) **Foreign Application Priority Data**
Dec. 26, 2011 (CN) 2011 3 0499481
(51) **LOC (9) Cl.** **13-03**
(52) **U.S. Cl.**
USPC **D13/133**
(58) **Field of Classification Search**
USPC D13/133, 147, 154, 184, 199; 439/345,
439/350, 352-354, 357-358, 374, 476.1,
439/595, 660, 680, 682, 752
See application file for complete search history.

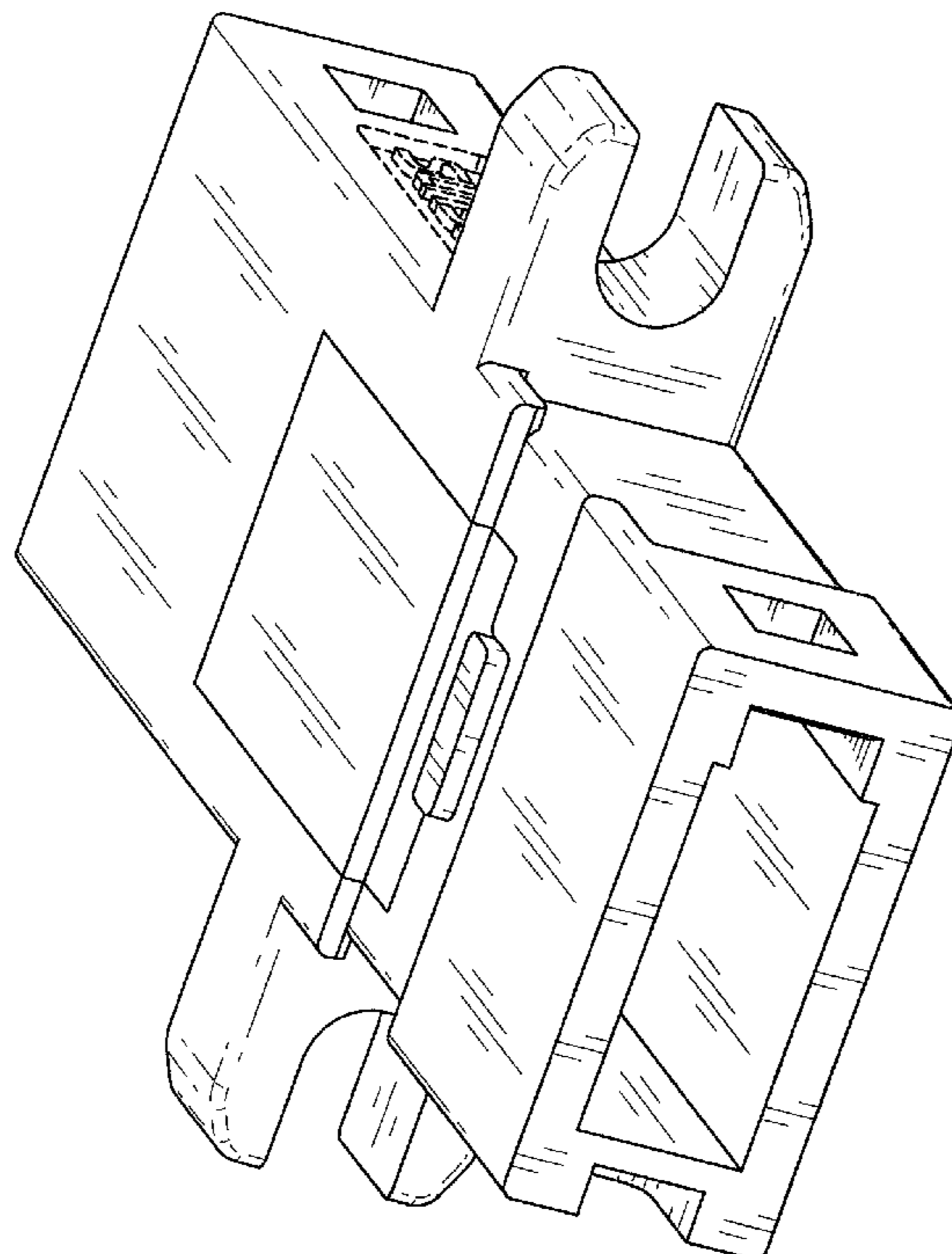
(57) **CLAIM**
The ornamental design for an optical fiber adaptor, as shown and described.

DESCRIPTION

FIG. 1 is a perspective view of an optical fiber adaptor in accordance with a preferred embodiment of our new design; FIG. 2 is a left side elevational view thereof; FIG. 3 is a right side elevational view thereof; FIG. 4 is a front elevational view thereof; FIG. 5 is a rear elevational view thereof; FIG. 6 is a top plan view thereof; and, FIG. 7 is a bottom plan view thereof. The broken lines in the figures are for the purpose of showing unclaimed environmental structure only and form no part of the claimed design.

(56) **References Cited**
U.S. PATENT DOCUMENTS
D241,942 S * 10/1976 Sheesley et al. D13/147
4,959,023 A * 9/1990 Watanabe et al. 439/595
D310,993 S * 10/1990 Ohkura et al. D13/146

1 Claim, 7 Drawing Sheets



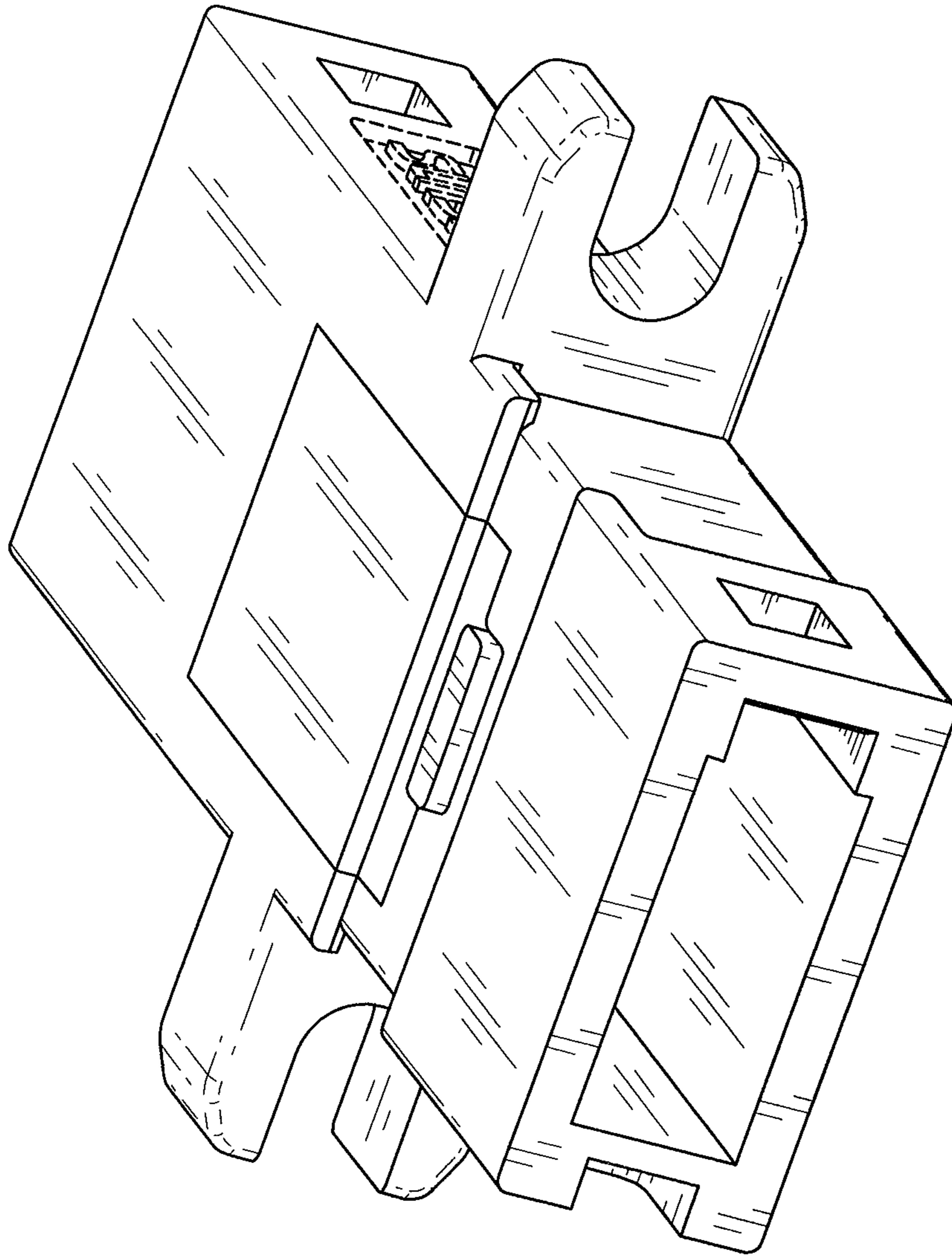


Fig. 1

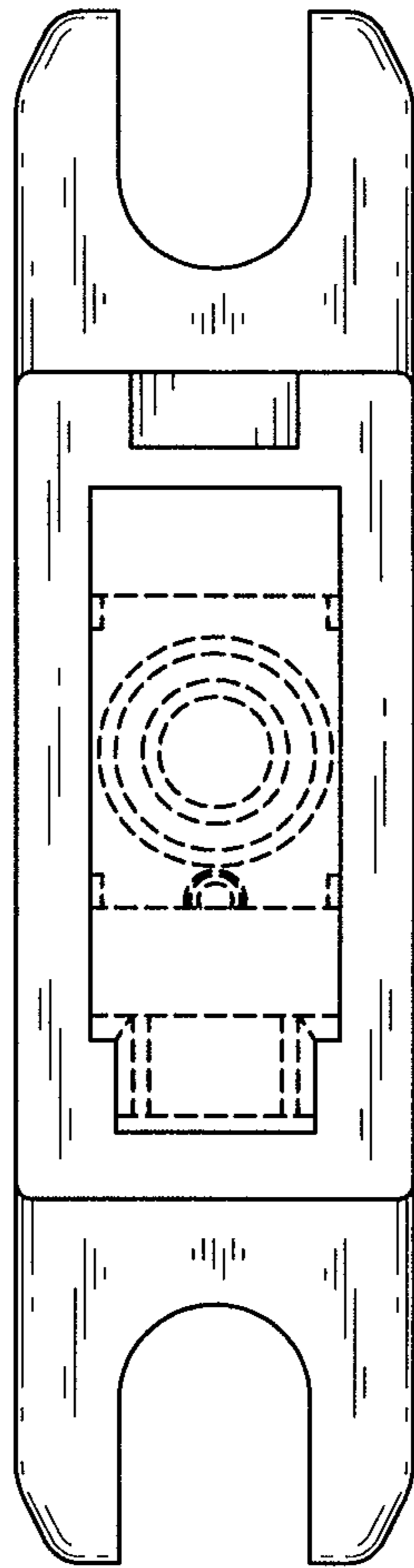


Fig. 2

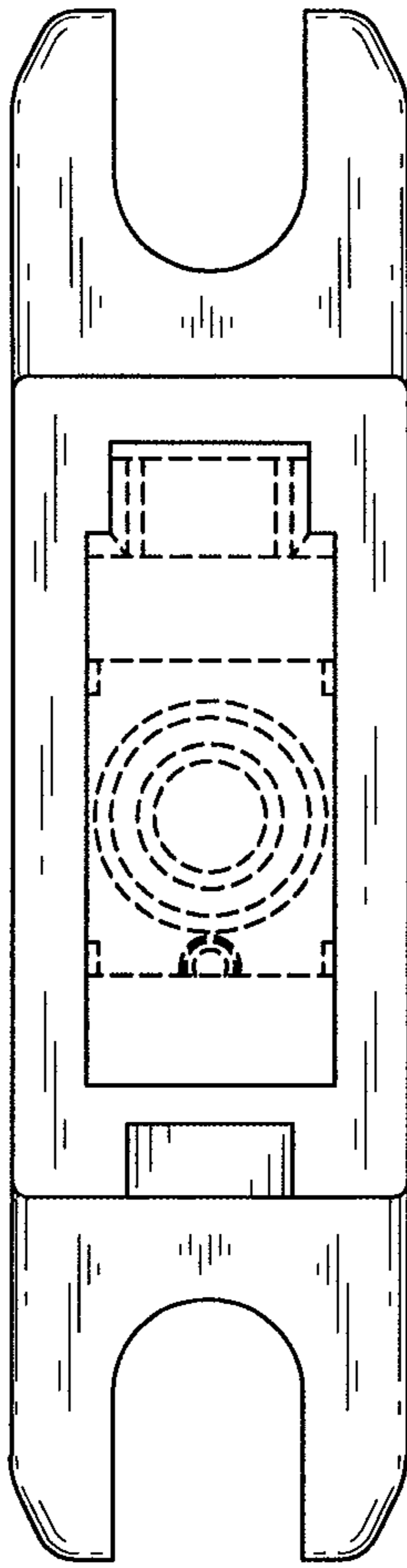


Fig. 3

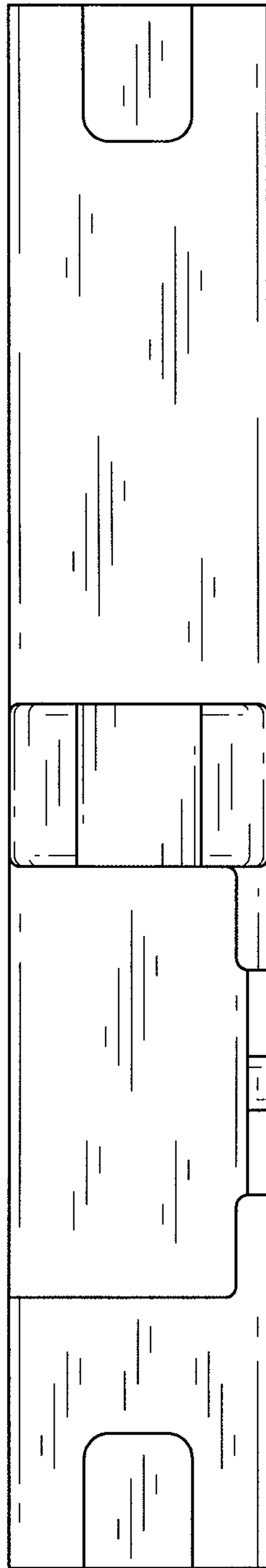


Fig. 4

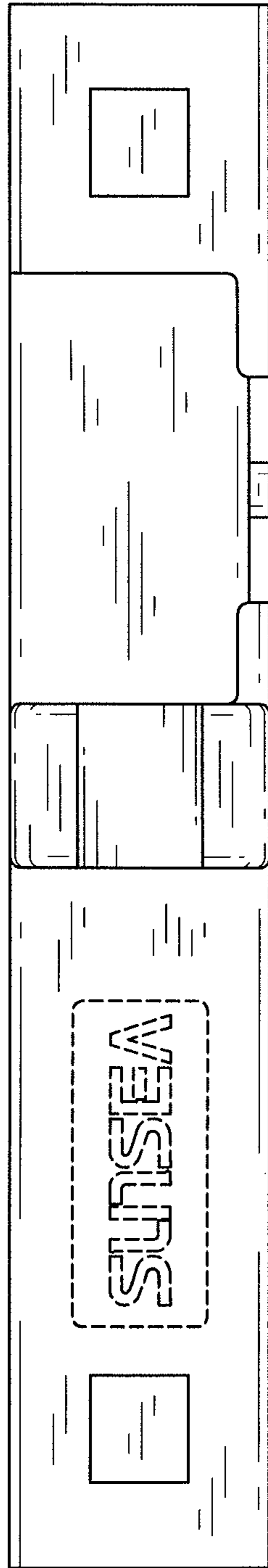


Fig. 5

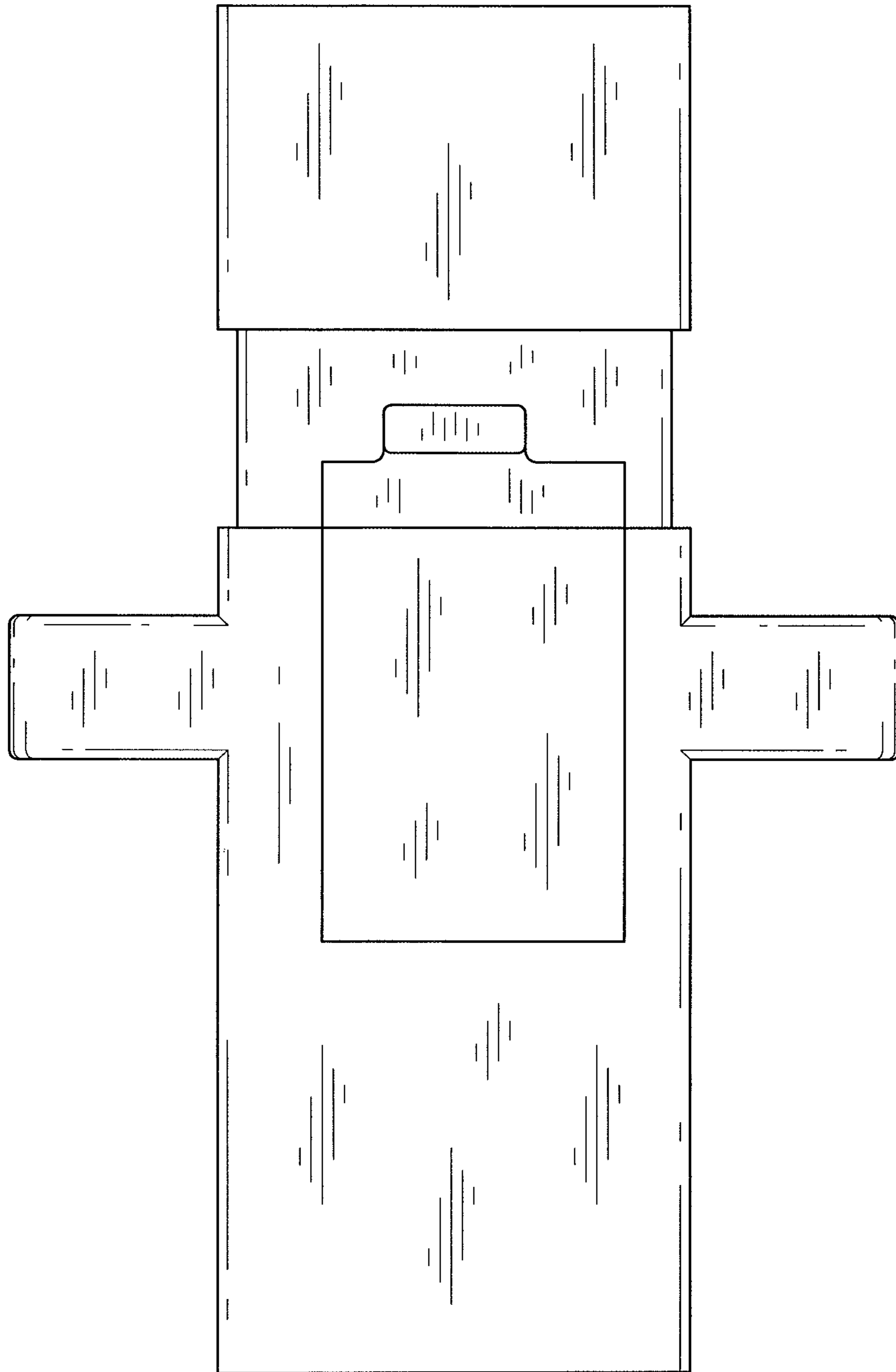


Fig. 6

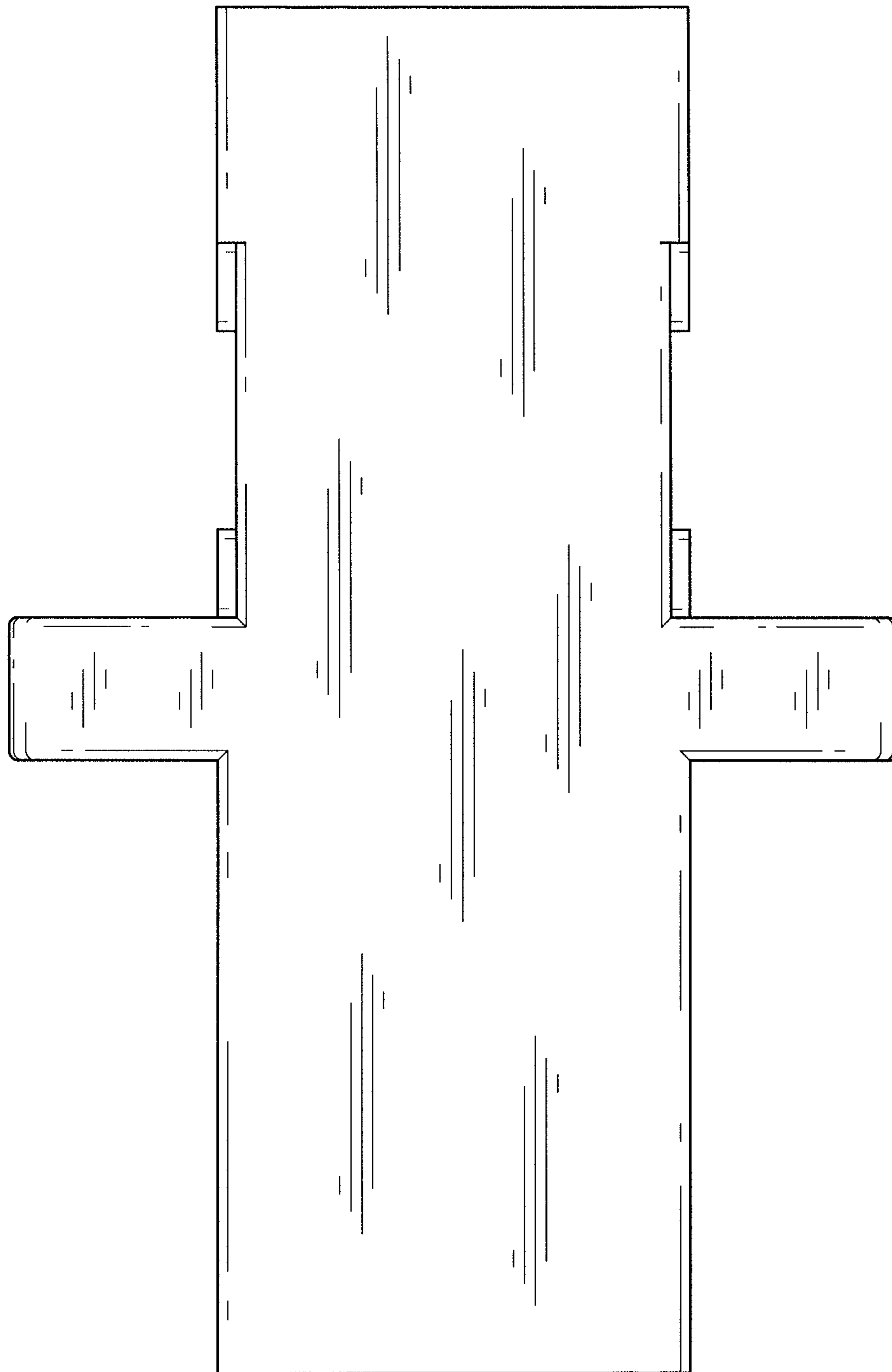


Fig. 7

UNITED STATES PATENT AND TRADEMARK OFFICE
CERTIFICATE OF CORRECTION

PATENT NO. : D684,118 S
APPLICATION NO. : 29/413687
DATED : June 11, 2013
INVENTOR(S) : Guo Yang et al.

Page 1 of 1

It is certified that error appears in the above-identified patent and that said Letters Patent is hereby corrected as shown below:

On the Title page, Section (73):

The Assignee should be listed as:

-- SUNSEA Telecommunications Co., Ltd., Shenzhen, Guangdong (CN) --.

Signed and Sealed this
Twenty-fourth Day of September, 2013



Teresa Stanek Rea
Deputy Director of the United States Patent and Trademark Office