



US00D684116S

(12) **United States Design Patent**  
**Inskeep**

(10) **Patent No.:** **US D684,116 S**

(45) **Date of Patent:** **\*\* Jun. 11, 2013**

(54) **JUMP STARTER**

(71) Applicant: **Mathew Inskeep**, Boca Raton, FL (US)

(72) Inventor: **Mathew Inskeep**, Boca Raton, FL (US)

(\*\*) Term: **14 Years**

(21) Appl. No.: **29/440,782**

(22) Filed: **Dec. 27, 2012**

(51) **LOC (9) Cl.** ..... **13-02**

(52) **U.S. Cl.**  
USPC ..... **D13/107**

(58) **Field of Classification Search**  
USPC .... D13/106–110, 118–119, 184, 199; D15/9;  
320/103–115

See application file for complete search history.

(56) **References Cited**

**U.S. PATENT DOCUMENTS**

D452,474 S *	12/2001	Casarella .....	D13/107
D466,862 S *	12/2002	Casarella .....	D13/107
D479,194 S *	9/2003	Casarella .....	D13/107
D480,357 S *	10/2003	Miao .....	D13/107
D504,870 S *	5/2005	Krieger et al. ....	D13/107
D530,664 S *	10/2006	Wingert et al. ....	D13/107
D545,269 S *	6/2007	Dayan .....	D13/107
D545,270 S *	6/2007	Dayan .....	D13/107

D594,406 S *	6/2009	Ellsworth .....	D13/107
D595,222 S *	6/2009	Ellsworth .....	D13/107
D601,495 S *	10/2009	Shum et al. ....	D13/107
D601,496 S *	10/2009	Shum et al. ....	D13/107
D635,510 S *	4/2011	Inskeep .....	D13/107
D636,331 S *	4/2011	Inskeep .....	D13/107
D654,864 S *	2/2012	Whiting et al. ....	D13/107
2011/0187322 A1 *	8/2011	Inskeep .....	320/109

\* cited by examiner

*Primary Examiner* — Rosemary K Tarcza

(57) **CLAIM**

I, Mathew Inskeep, claim the ornamental design for a jump starter, as shown in the attached drawings.

**DESCRIPTION**

FIG. 1 is a top perspective view of the jump starter showing my new design.

FIG. 2 is a bottom perspective view.

FIG. 3 is a perspective view with the cables unhinged.

FIG. 4 is a front view thereof.

FIG. 5 is a back view thereof.

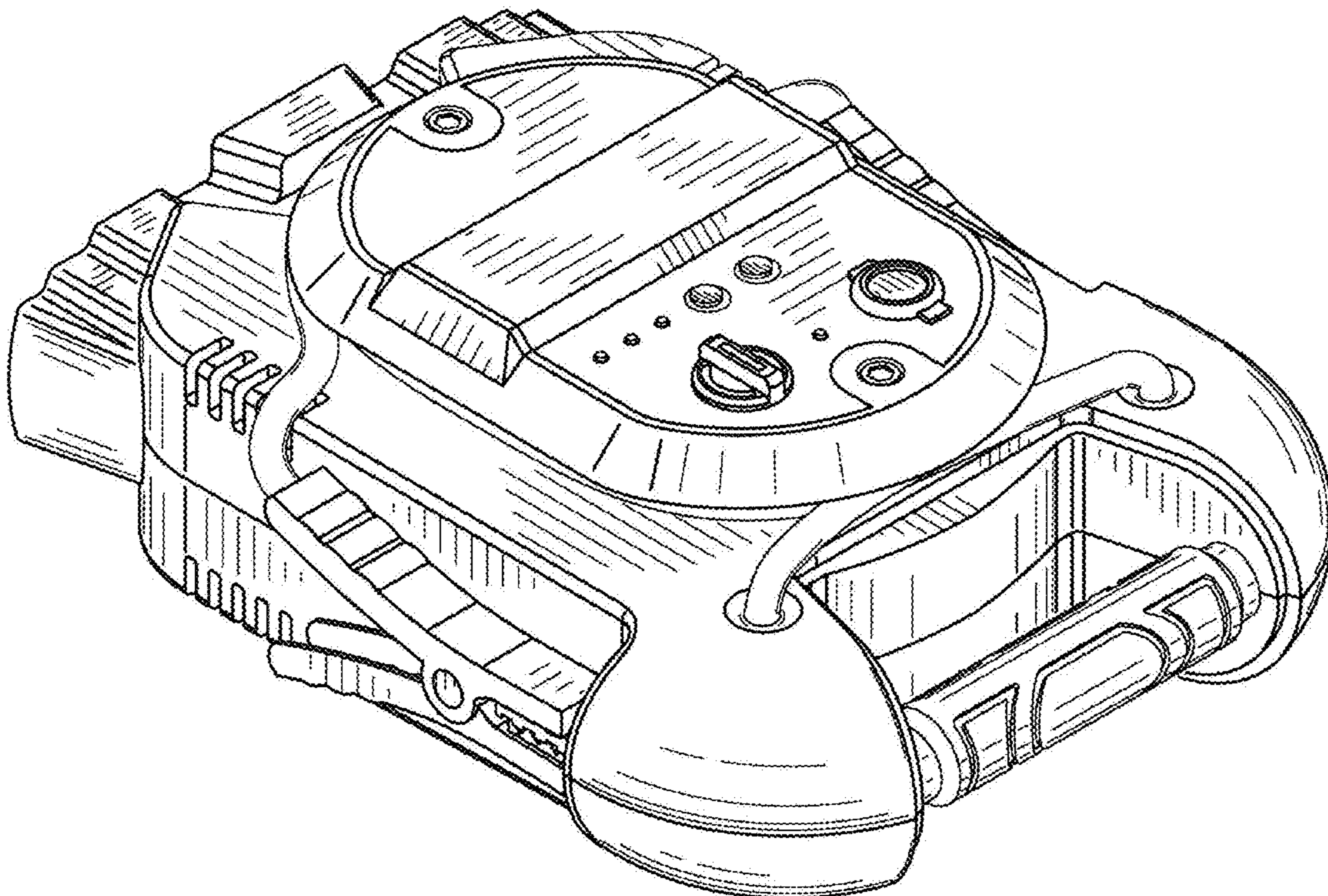
FIG. 6 is a left side view thereof.

FIG. 7 is a right side view thereof.

FIG. 8 is a top view thereof; and,

FIG. 9 is a bottom view thereof.

**1 Claim, 8 Drawing Sheets**



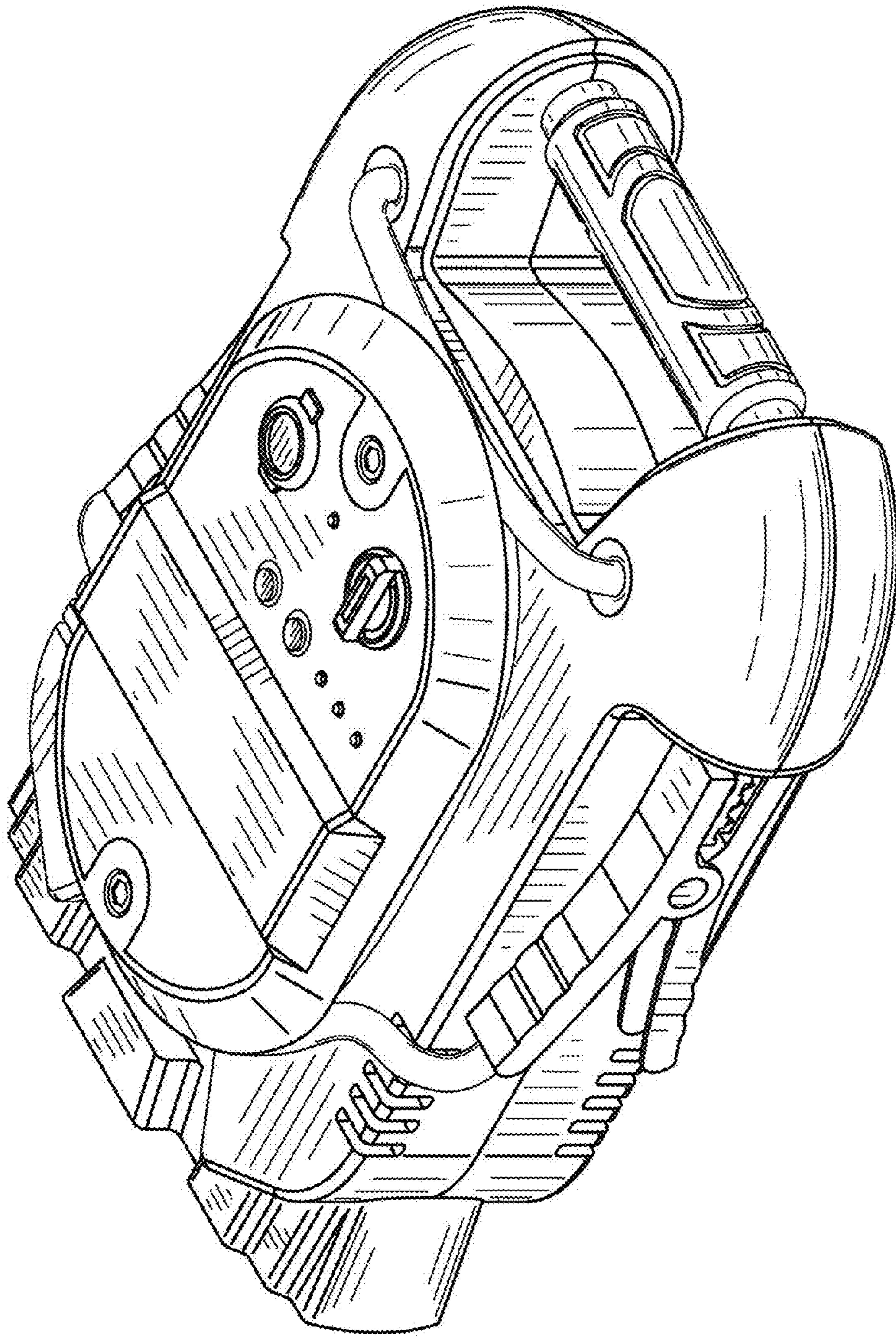


FIG. 1

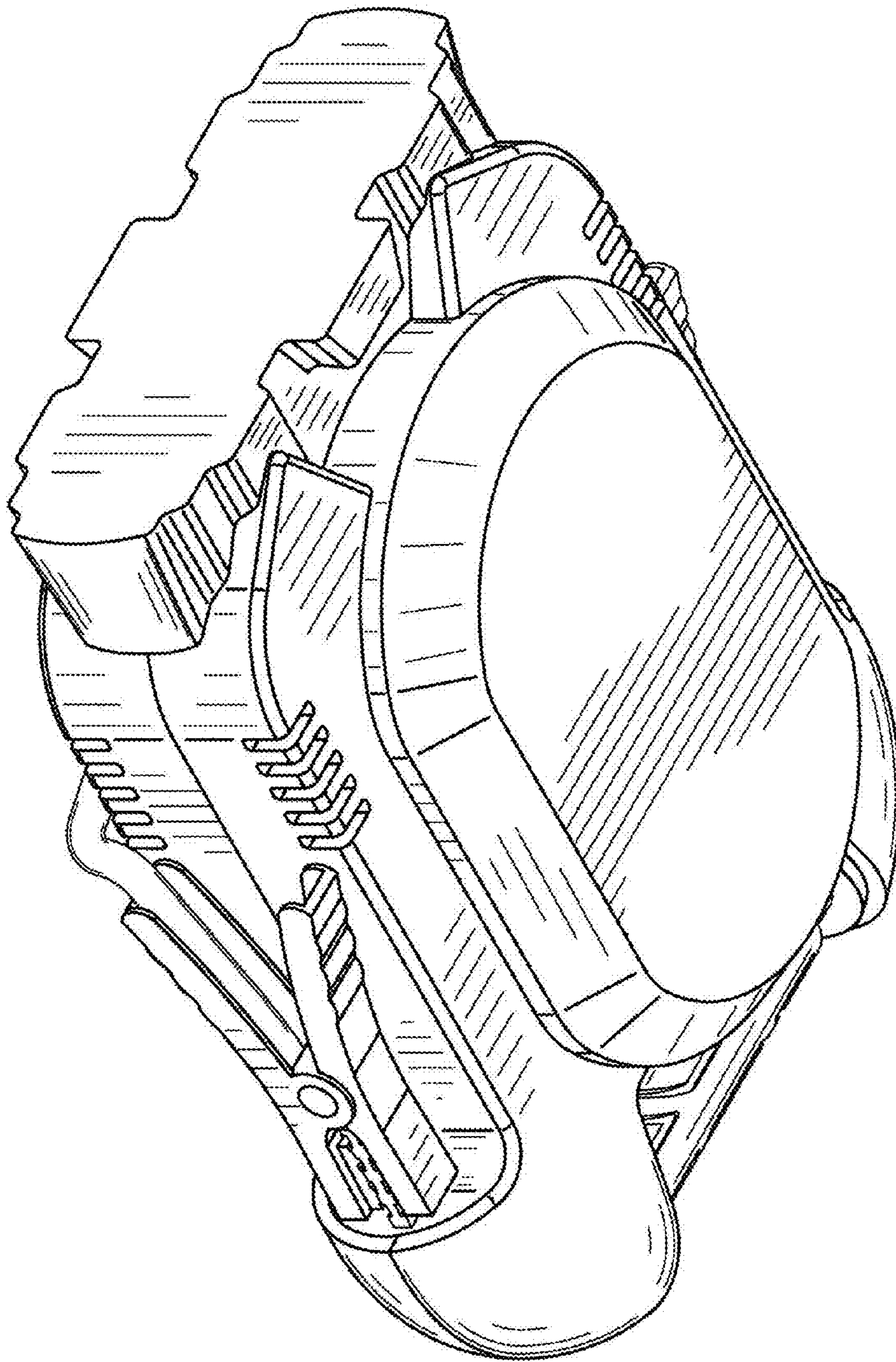


FIG. 2

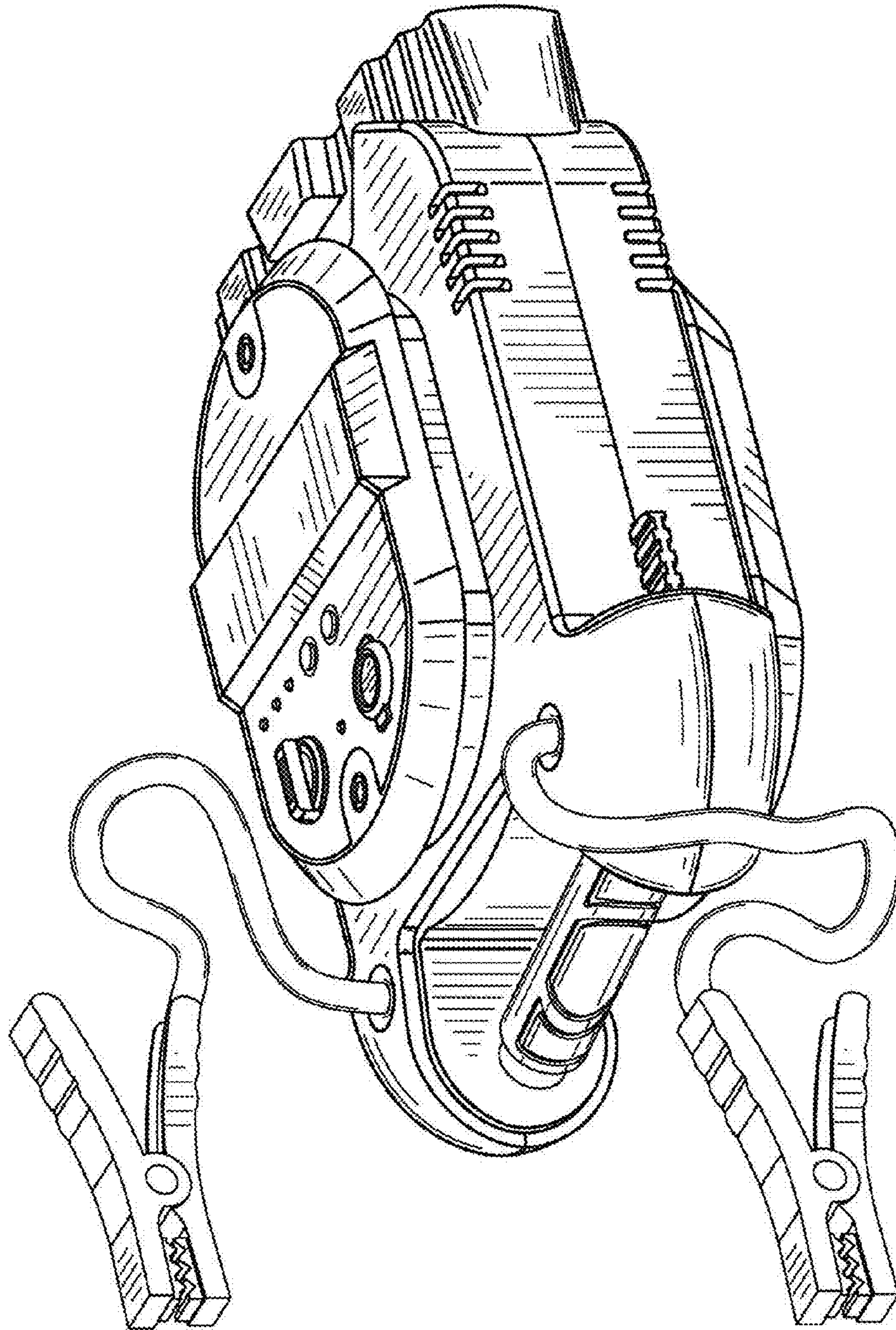


FIG. 3

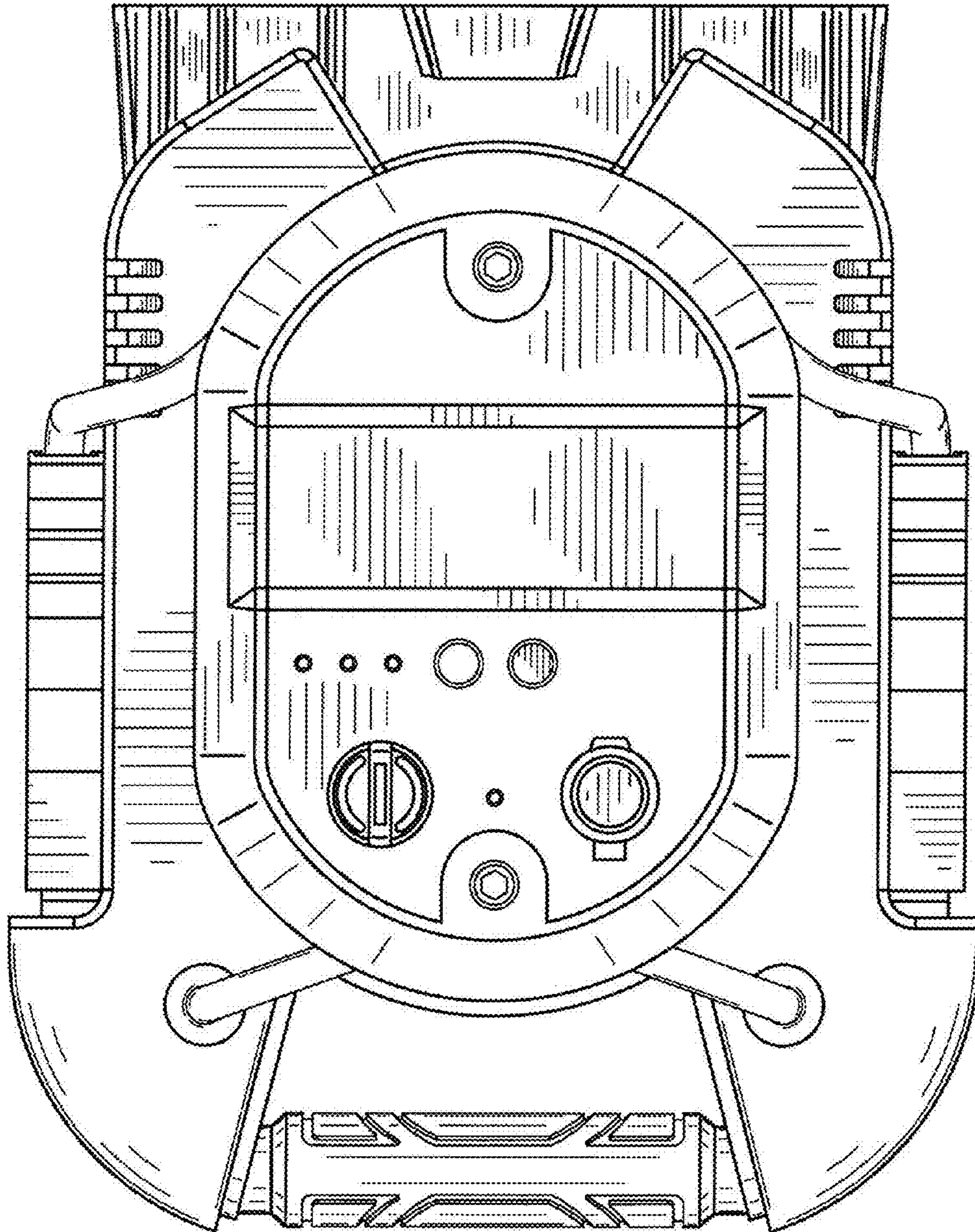


FIG. 4

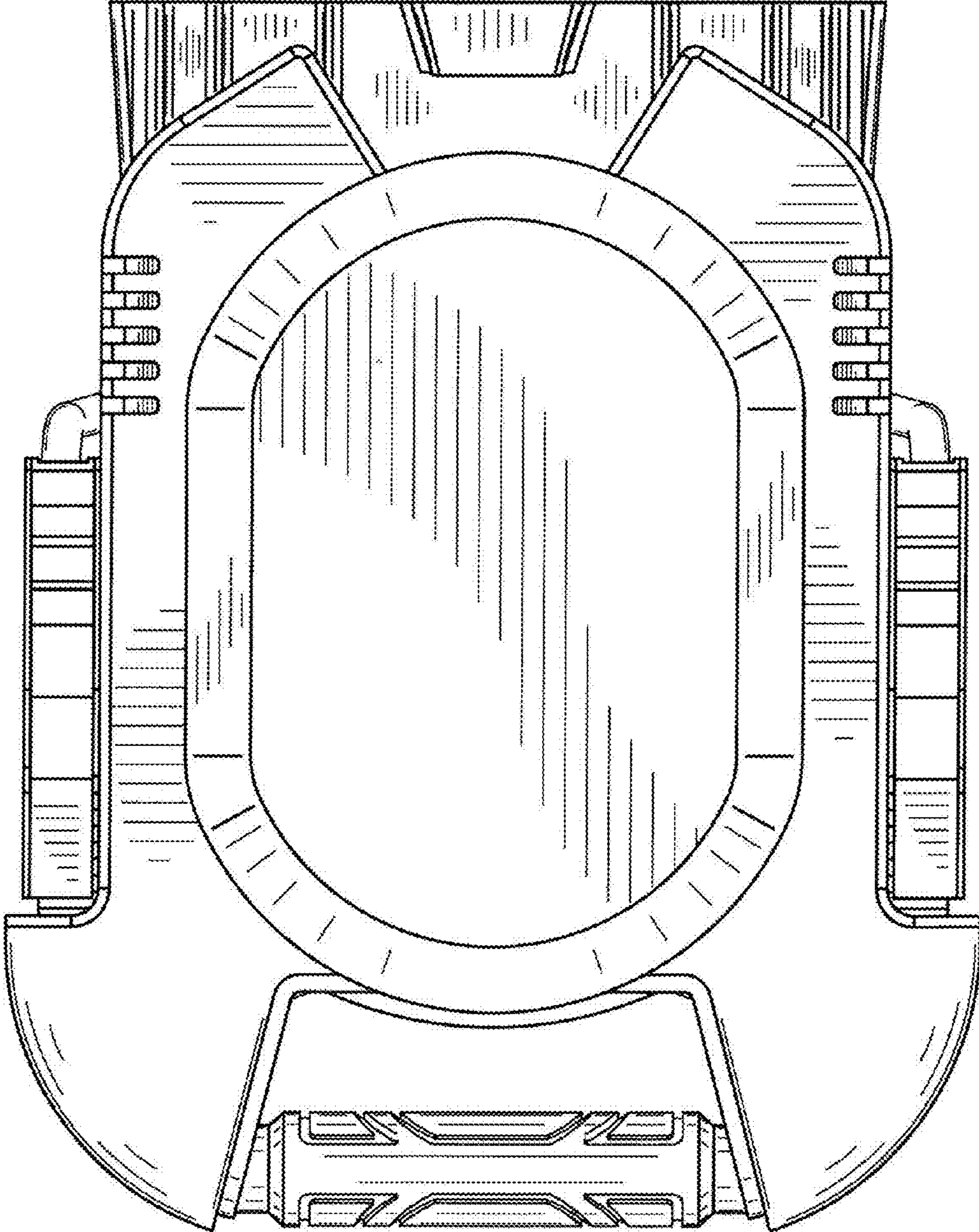


FIG. 5

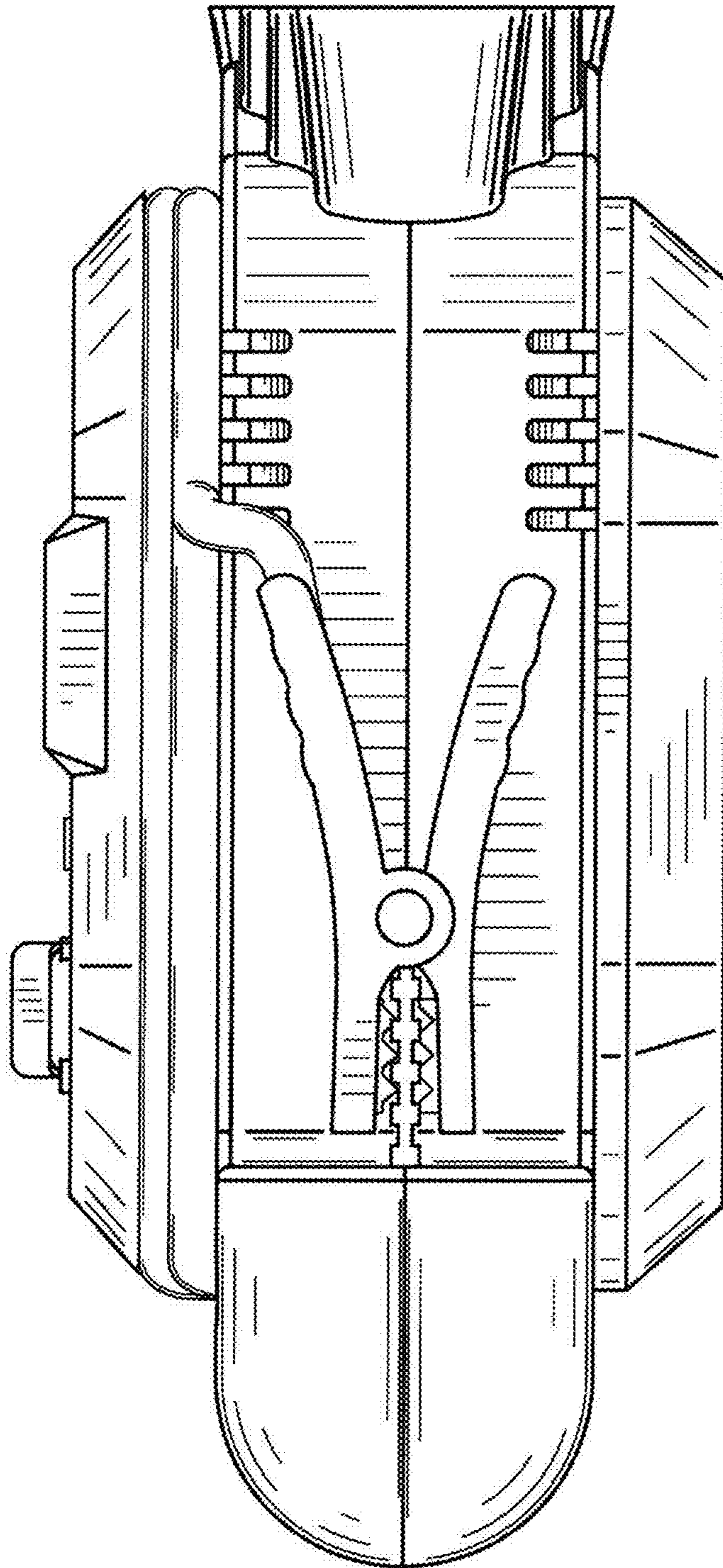


FIG. 6

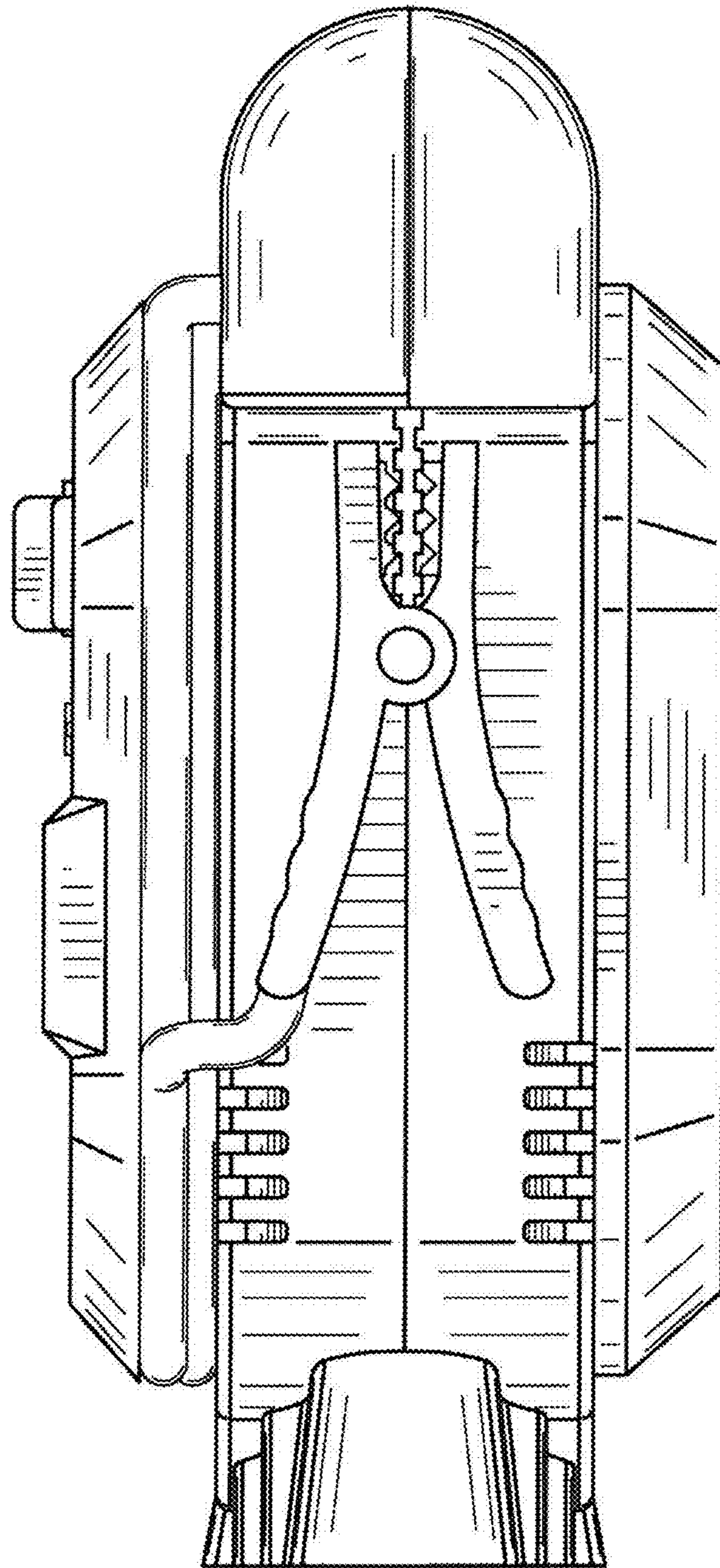


FIG. 7



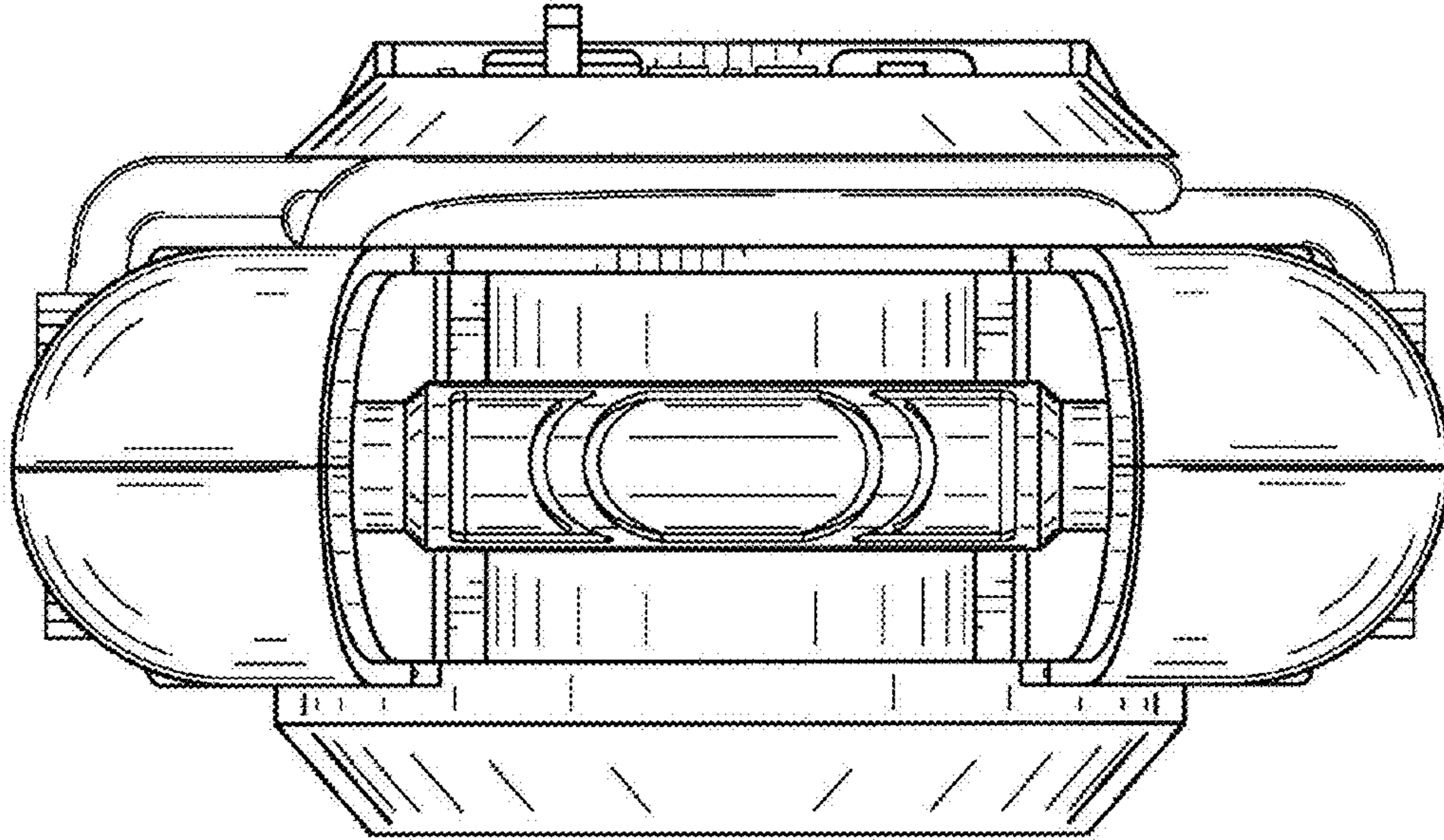


FIG. 8

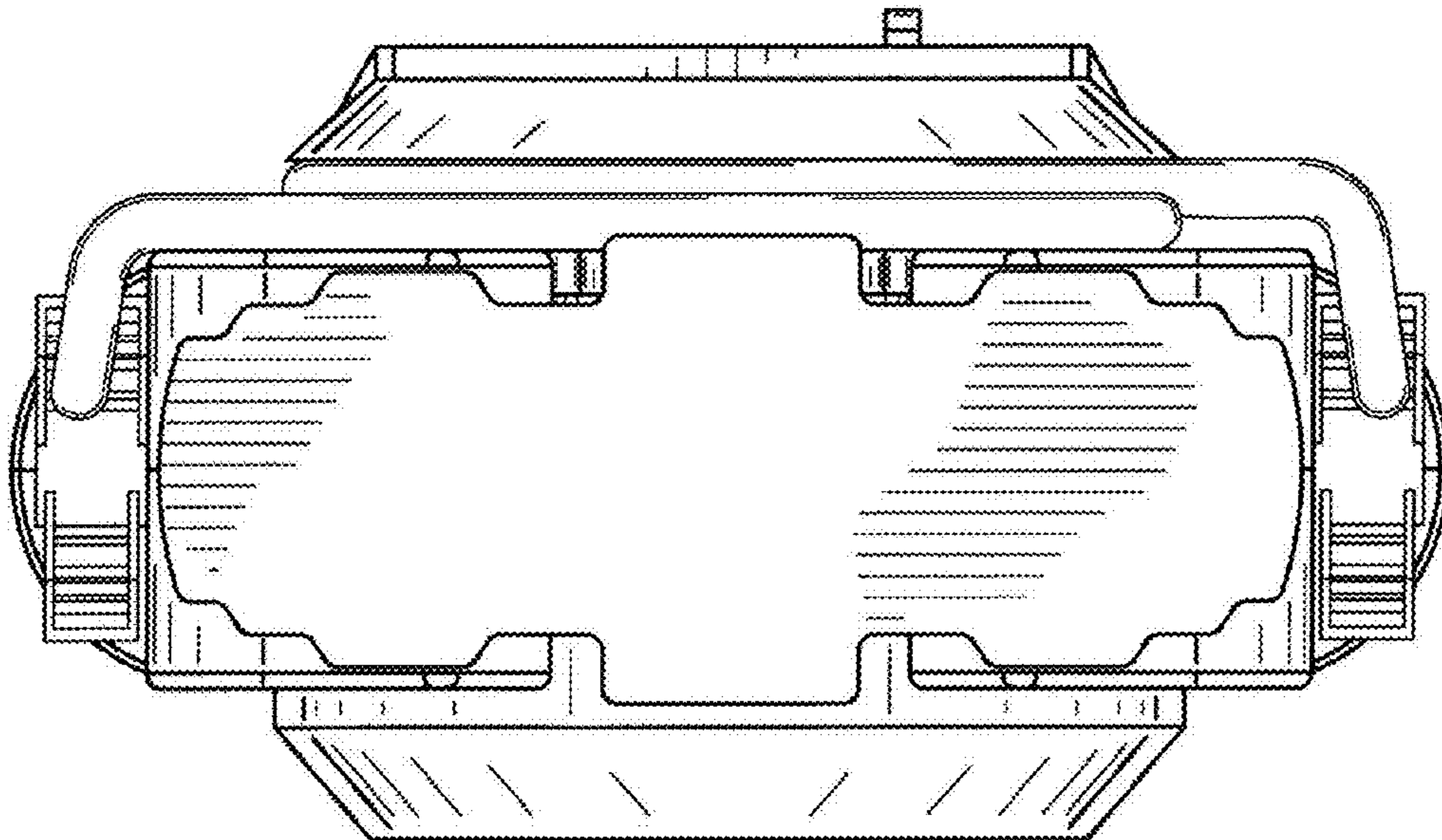


FIG. 9