



US00D684115S

(12) **United States Design Patent**
Inskeep

(10) **Patent No.:** **US D684,115 S**

(45) **Date of Patent:** **** Jun. 11, 2013**

(54) **BATTERY CHARGER**

(71) Applicant: **Mathew Inskeep**, Boca Raton, FL (US)

(72) Inventor: **Mathew Inskeep**, Boca Raton, FL (US)

(**) Term: **14 Years**

(21) Appl. No.: **29/437,571**

(22) Filed: **Nov. 19, 2012**

(51) **LOC (9) Cl.** **13-02**

(52) **U.S. Cl.**
USPC **D13/107**

(58) **Field of Classification Search**
USPC D13/106-110, 118-119, 184, 199; D15/9;
320/103-115

See application file for complete search history.

(56) **References Cited**

U.S. PATENT DOCUMENTS

D227,680	S	*	7/1973	Fischer	D13/107
D462,320	S	*	9/2002	Krieger et al.	D13/107
D469,739	S	*	2/2003	Dayan	D13/107
D530,271	S	*	10/2006	Hriscu et al.	D13/107
D549,170	S	*	8/2007	Yen	D13/107
D585,822	S	*	2/2009	Hsu	D13/107

D609,634	S	*	2/2010	Daniels et al.	D13/107
D610,982	S	*	3/2010	Shum et al.	D13/107
D649,931	S	*	12/2011	James	D13/107
D651,562	S	*	1/2012	Takeo et al.	D13/107
D654,854	S	*	2/2012	Inskeep	D13/107
D668,221	S	*	10/2012	McKune et al.	D13/110
2011/0187322	A1	*	8/2011	Inskeep	320/109

* cited by examiner

Primary Examiner — Rosemary K Tarca

(57) **CLAIM**

I, Mathew Inskeep, claim the ornamental design for a battery charger, as shown in the attached drawings.

DESCRIPTION

FIG. 1 is a top perspective view of the battery charger showing my new design.

FIG. 2 is a bottom perspective view.

FIG. 3 is a perspective view with the cables unhinged.

FIG. 4 is a front view thereof.

FIG. 5 is a back view thereof.

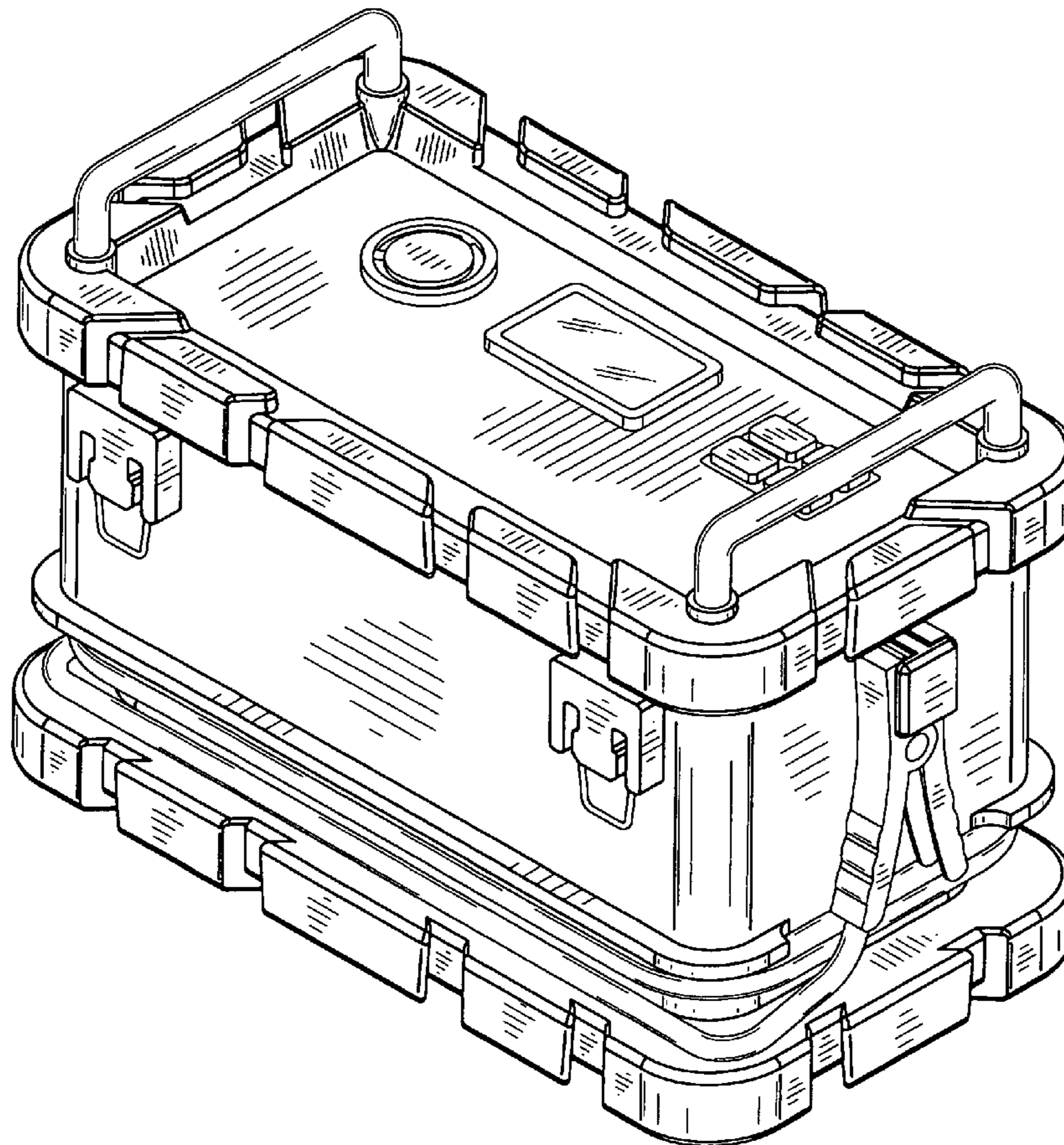
FIG. 6 is a bottom view thereof.

FIG. 7 is a top view thereof.

FIG. 8 is a left side view thereof; and,

FIG. 9 is a right side view thereof.

1 Claim, 6 Drawing Sheets



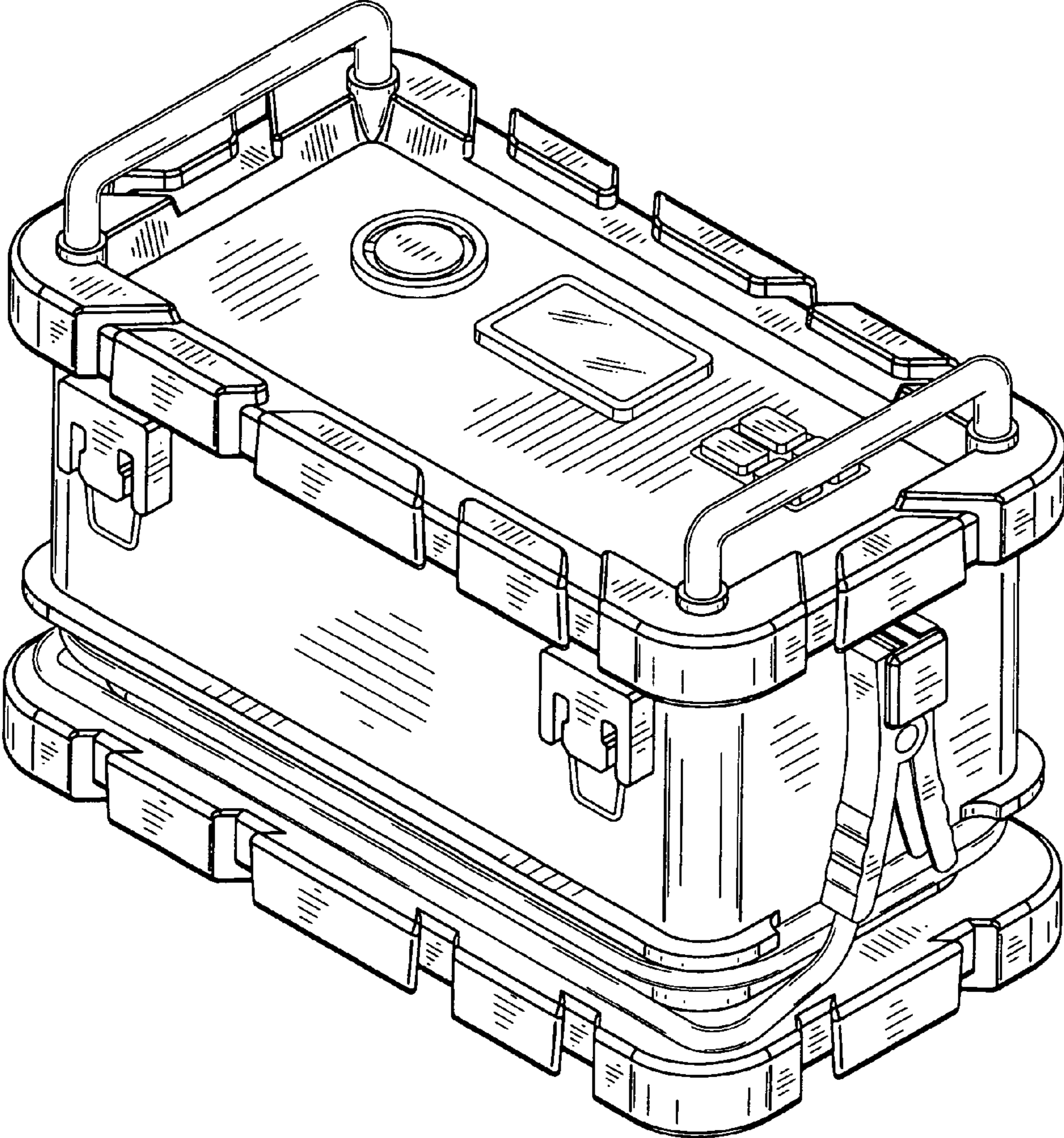


FIG. 1

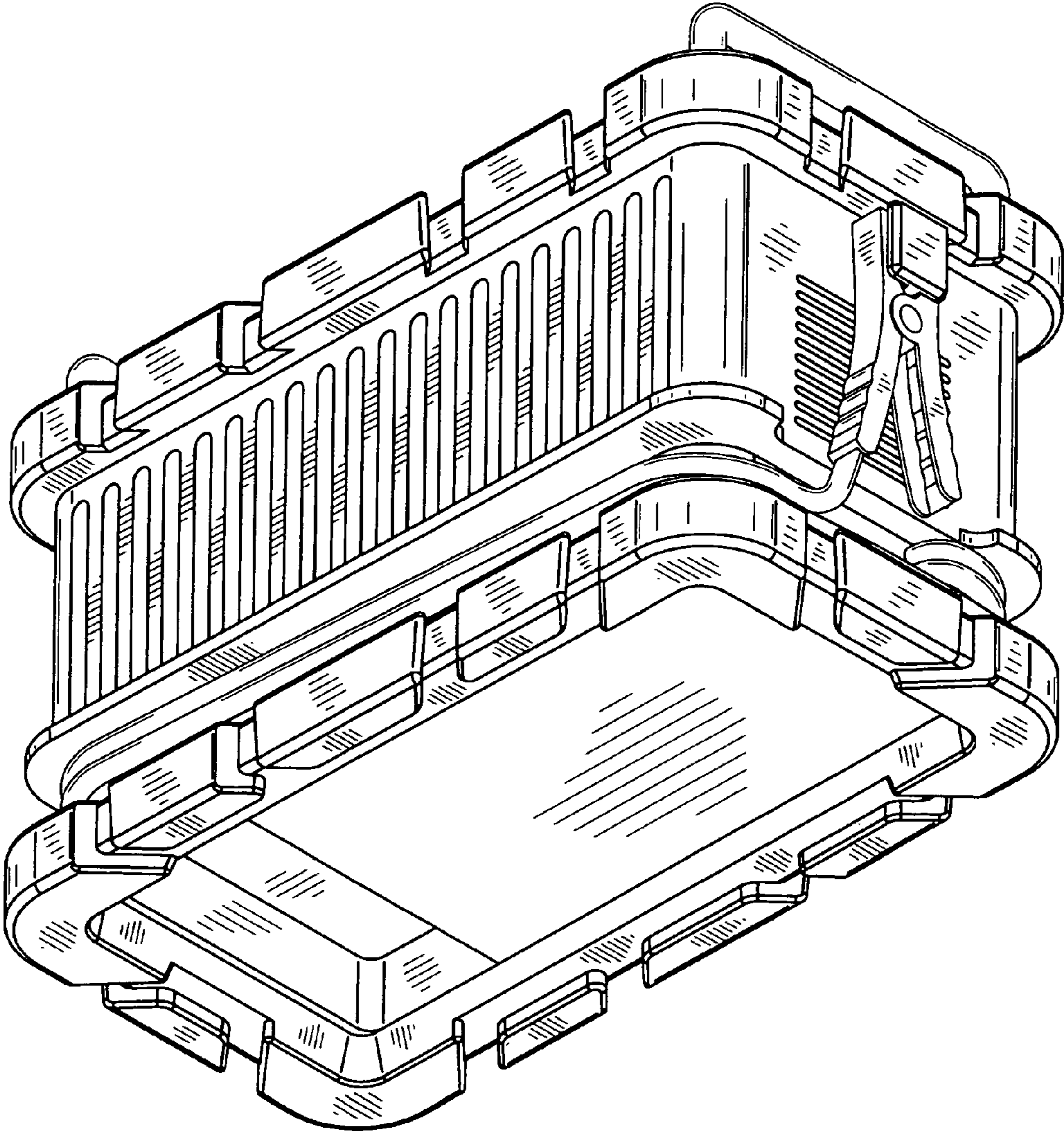


FIG. 2

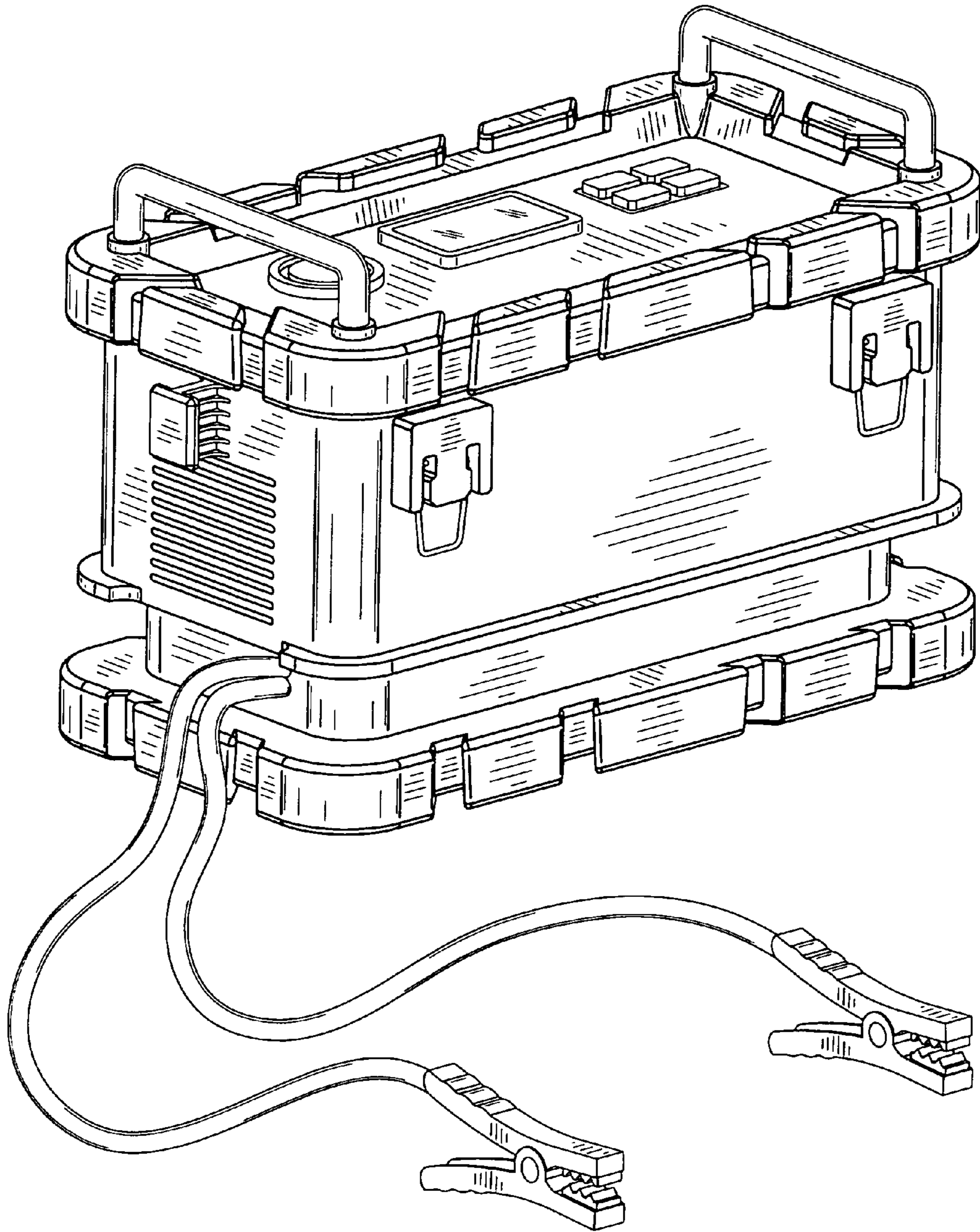


FIG. 3

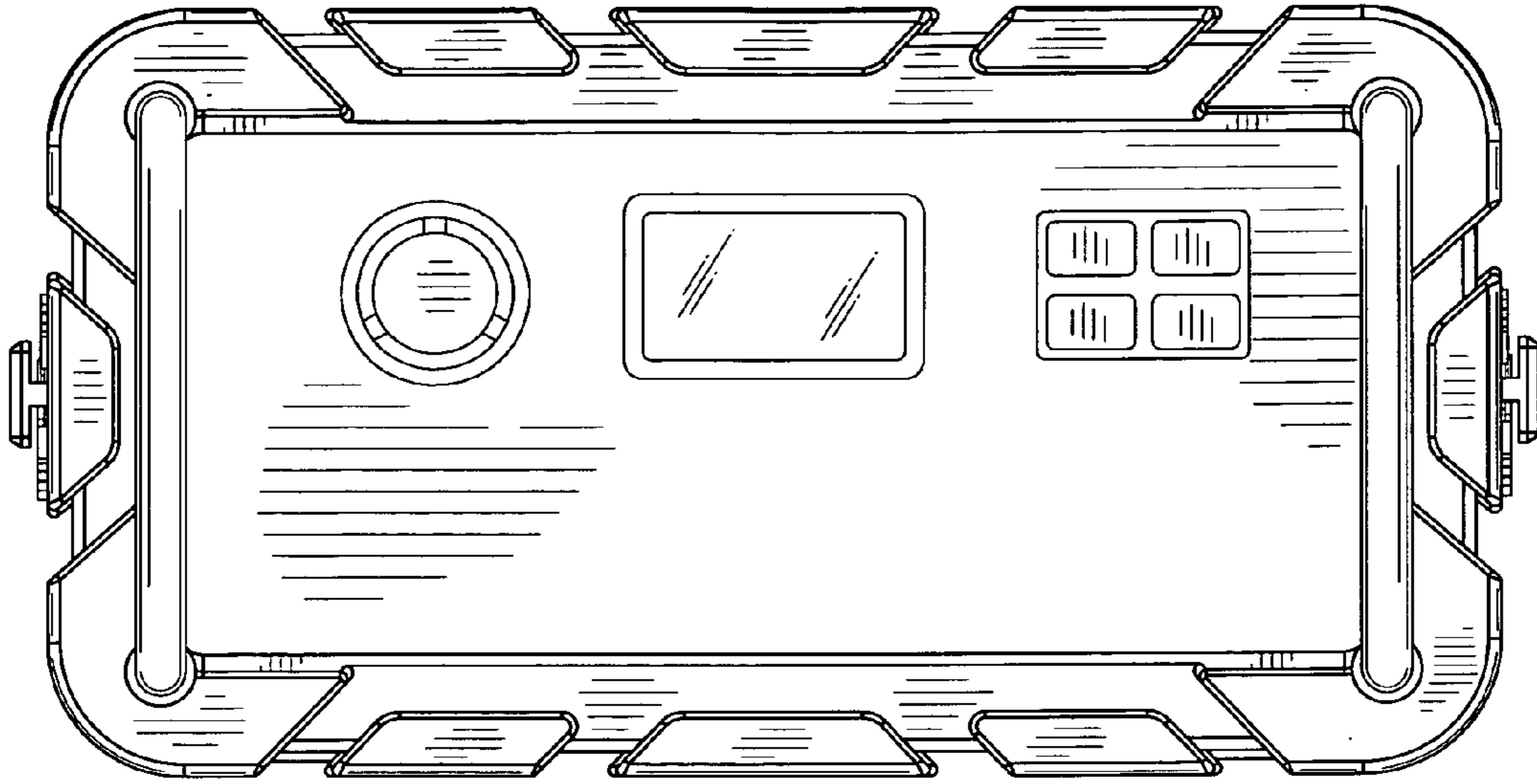


FIG. 4

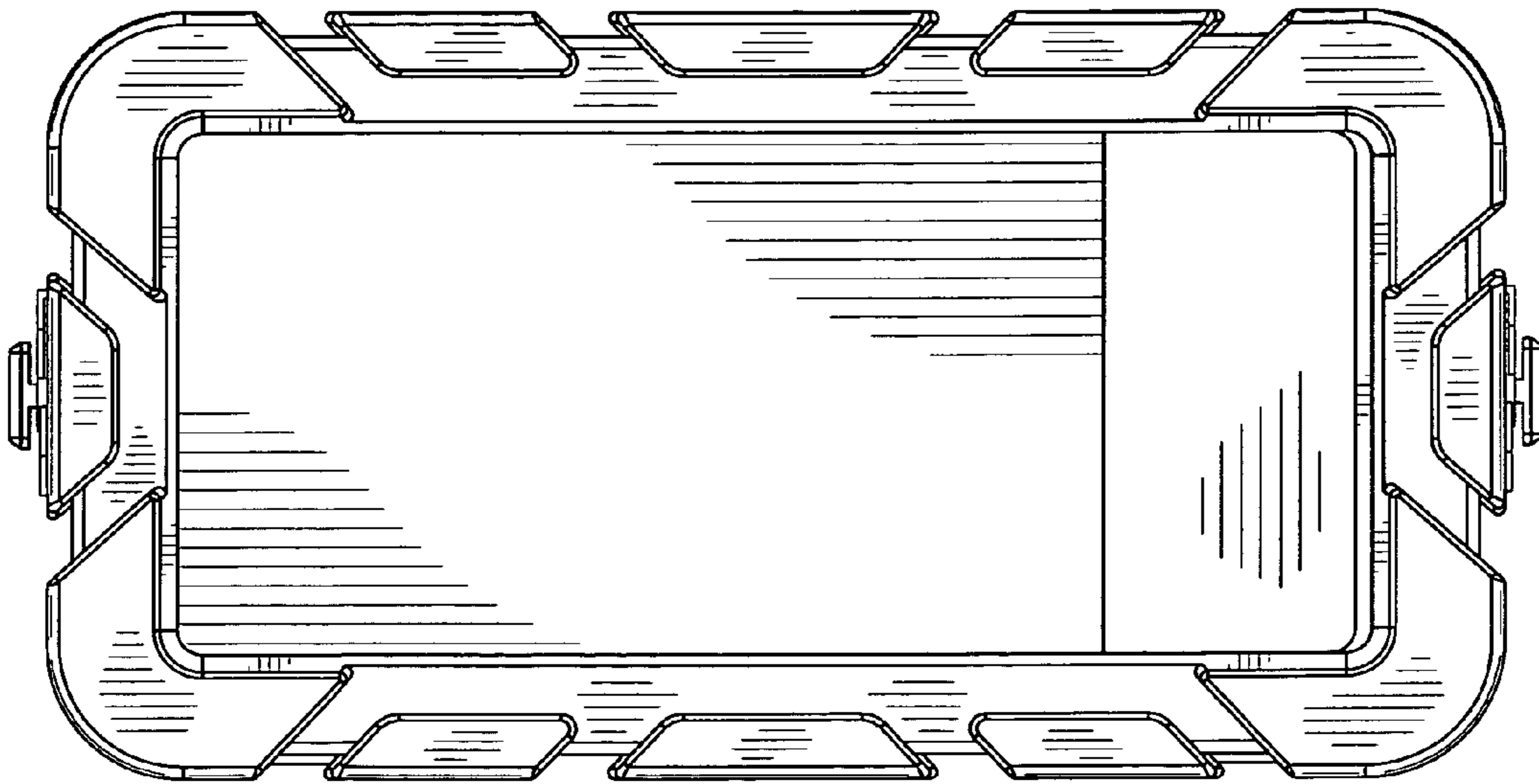


FIG. 5

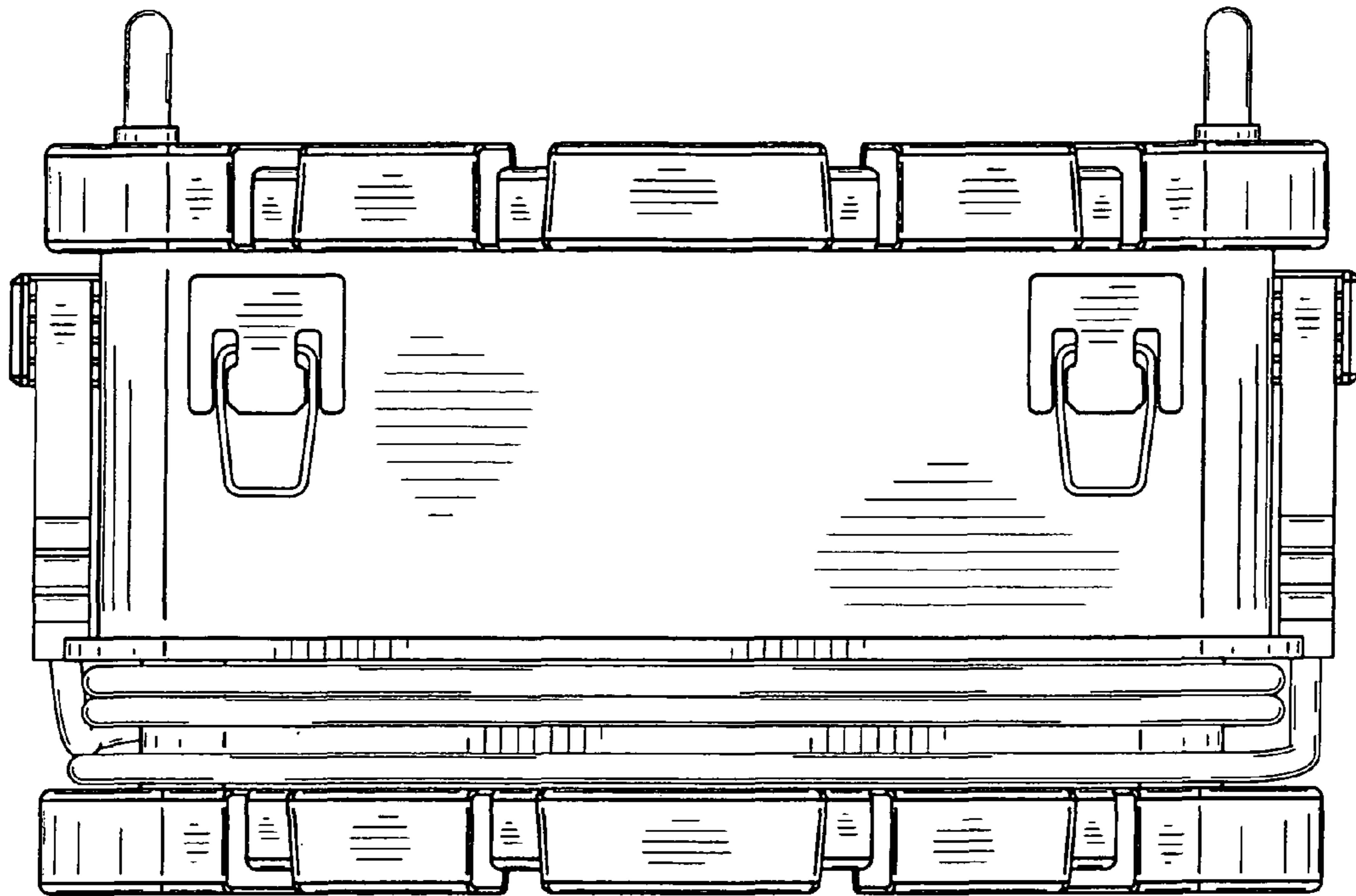


FIG. 6

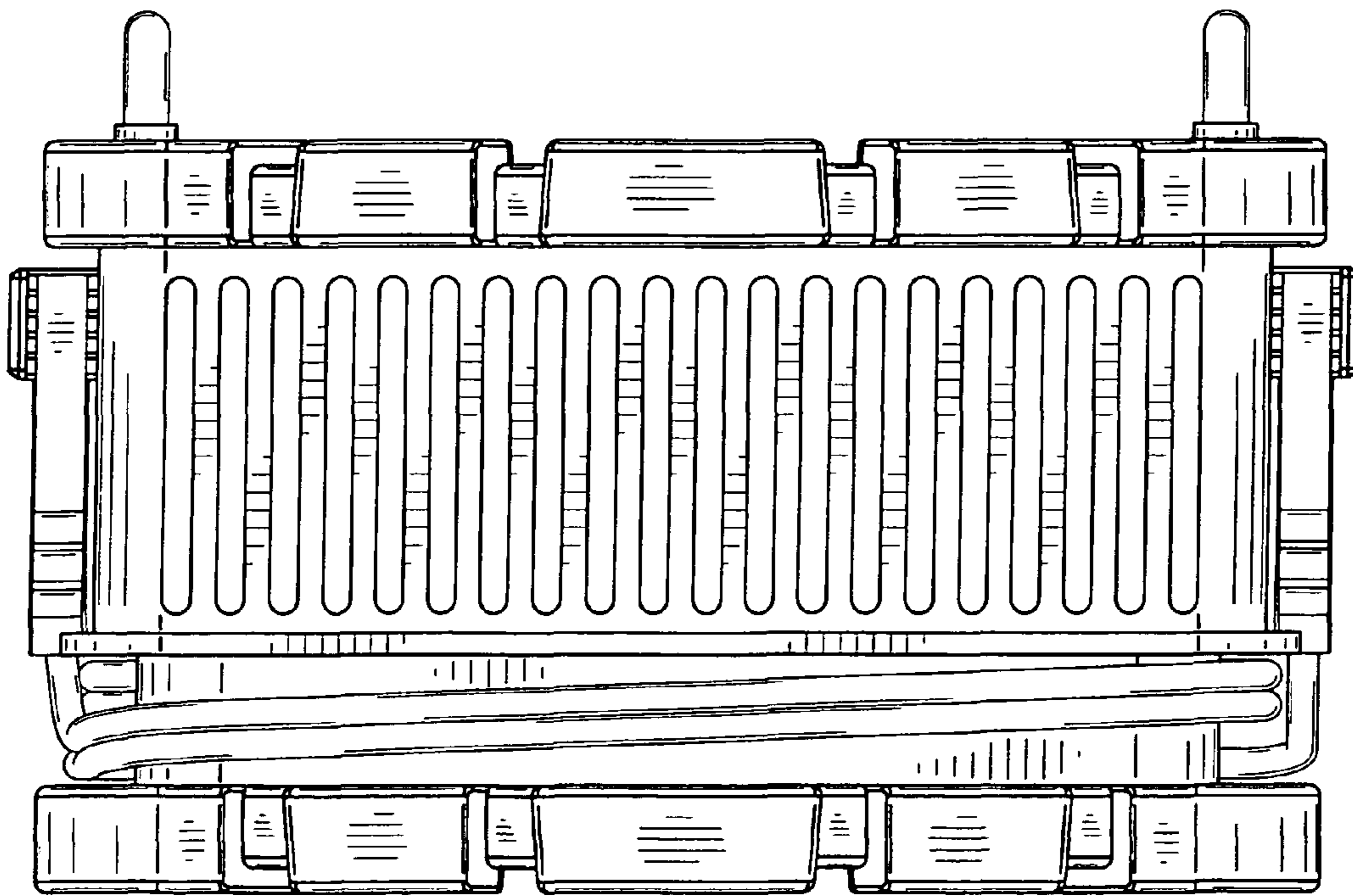


FIG. 7

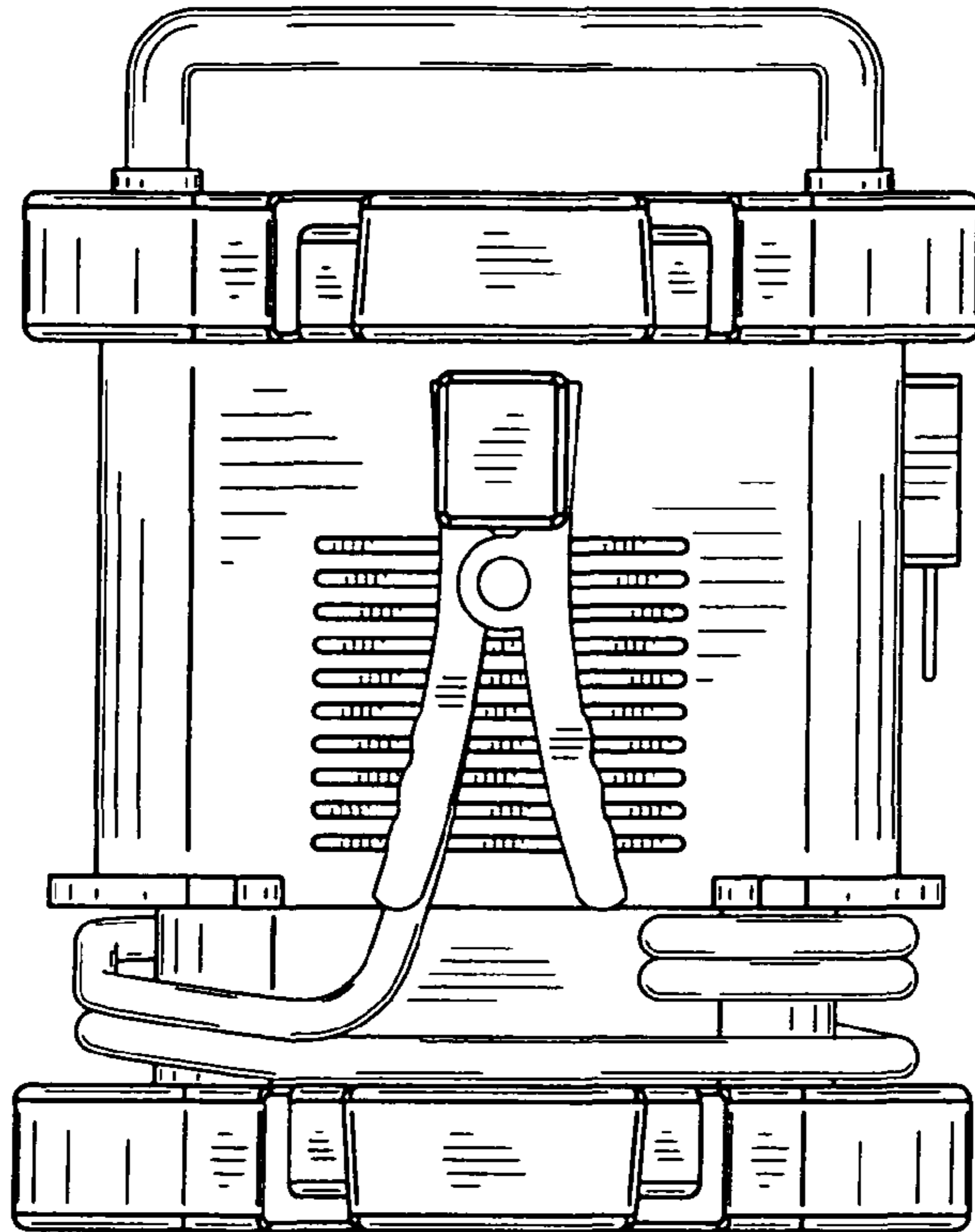


FIG. 8

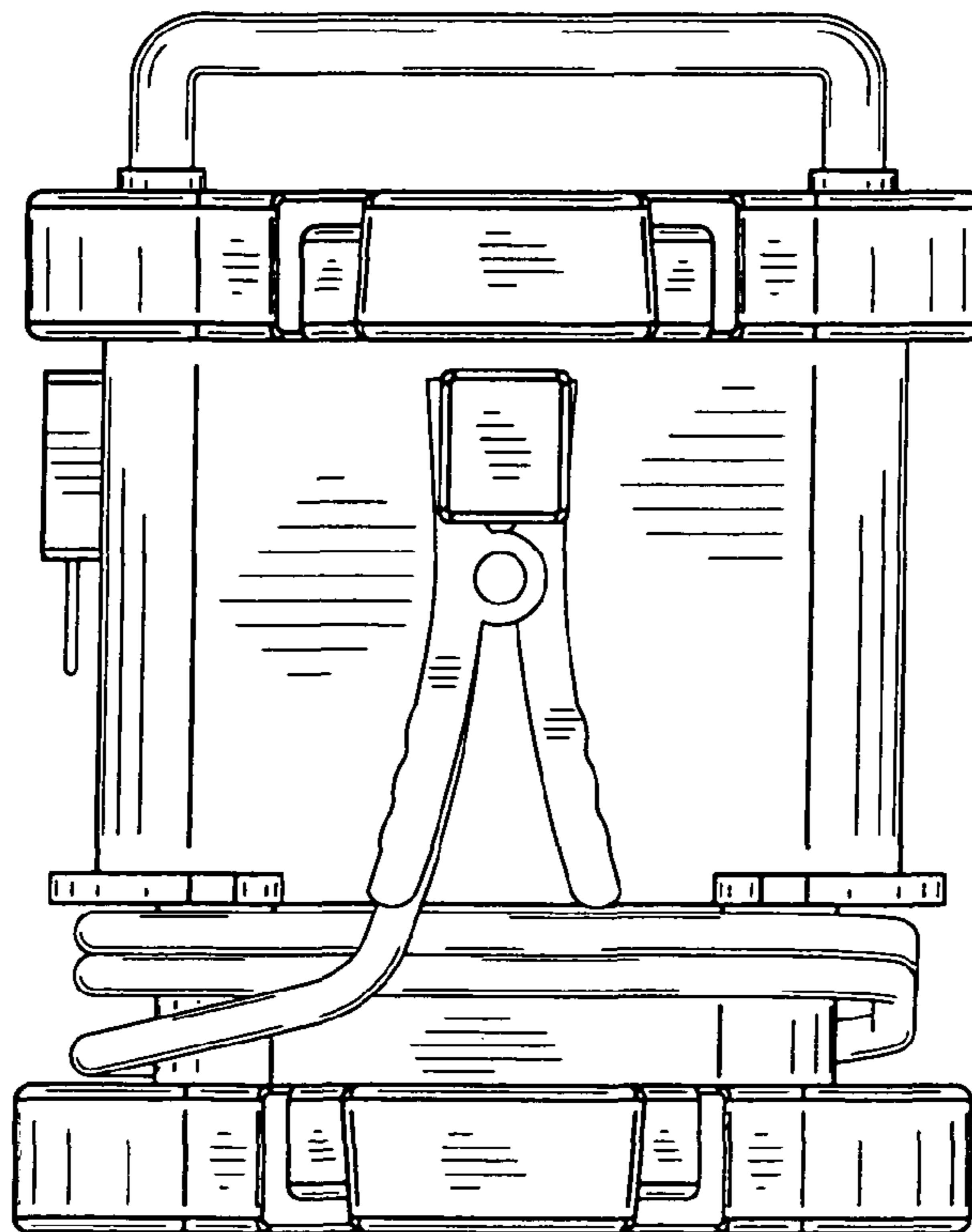


FIG. 9