



US00D684113S

(12) **United States Design Patent**
Han et al.

(10) **Patent No.:** **US D684,113 S**

(45) **Date of Patent:** **** Jun. 11, 2013**

(54) **MOBILE POWER**

(75) Inventors: **Qian-Kun Han**, Shenzhen (CN);
Chiang-Kuo Tang, New Taipei (TW)

(73) Assignee: **Hon Hai Precision Industry Co., Ltd.**,
New Taipei (TW)

(**) Term: **14 Years**

(21) Appl. No.: **29/430,893**

(22) Filed: **Aug. 31, 2012**

(51) **LOC (9) Cl.** **13-02**

(52) **U.S. Cl.**
USPC **D13/103**

(58) **Field of Classification Search**
USPC D13/102–108, 110, 118–121, 184,
D13/199; 429/96–100, 163, 176
See application file for complete search history.

(56) **References Cited**

U.S. PATENT DOCUMENTS

| | | | | |
|----------------|---------|-----------------|-------|---------|
| D416,857 S * | 11/1999 | Gauld et al. | | D13/103 |
| D438,508 S * | 3/2001 | Stanford et al. | | D13/103 |
| 6,602,637 B1 * | 8/2003 | Kurasawa et al. | | 429/176 |
| D568,240 S * | 5/2008 | Haydvoegel | | D13/103 |

| | | | | |
|-------------------|---------|-----------------|-------|---------|
| D586,742 S * | 2/2009 | Song | | D13/103 |
| D600,640 S * | 9/2009 | Stein et al. | | D13/103 |
| D642,120 S * | 7/2011 | Kretschmer | | D13/103 |
| 2005/0233206 A1 * | 10/2005 | Puttaiah et al. | | 429/120 |

* cited by examiner

Primary Examiner — Rosemary K Tarcza

(74) *Attorney, Agent, or Firm* — Altis Law Group, Inc.

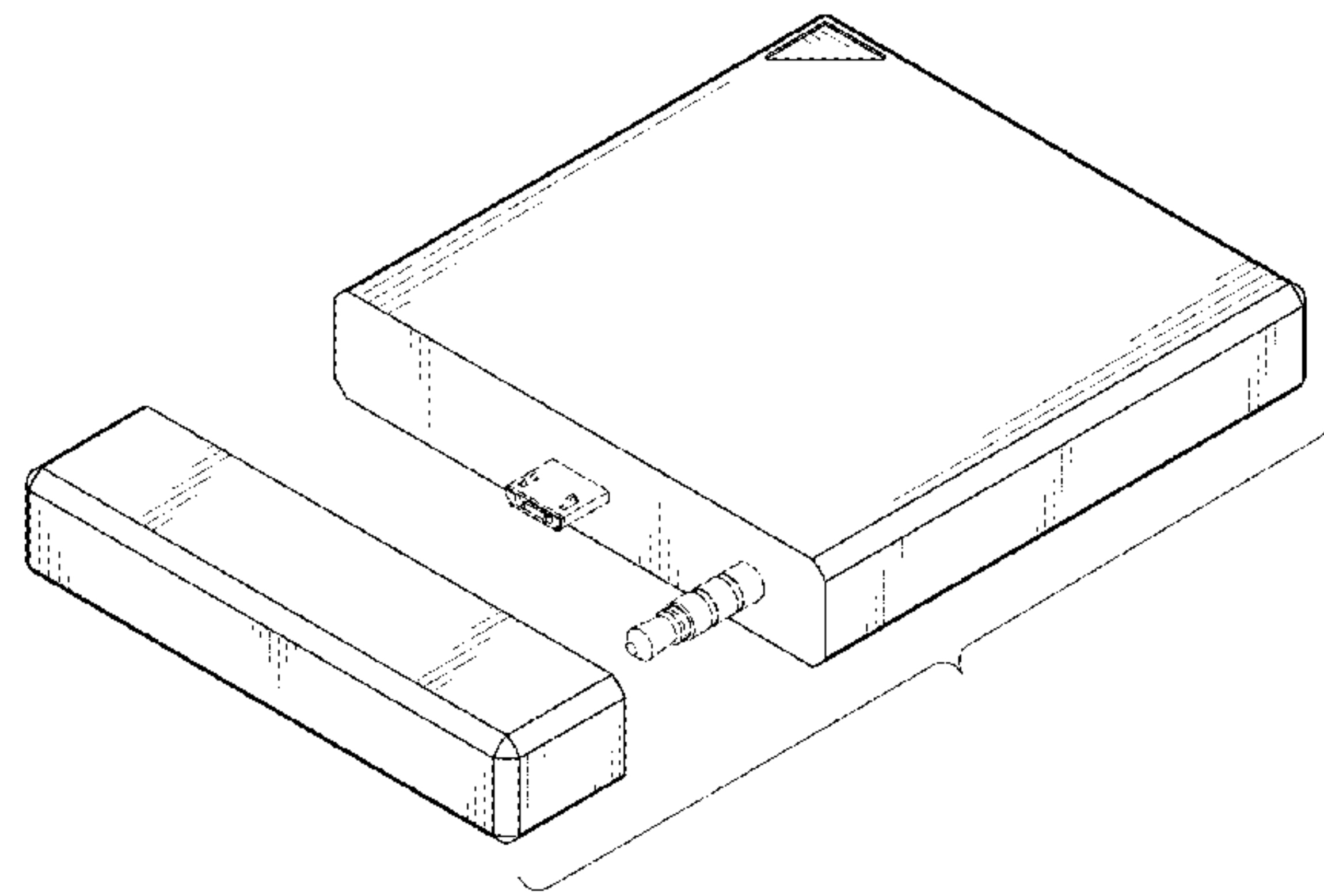
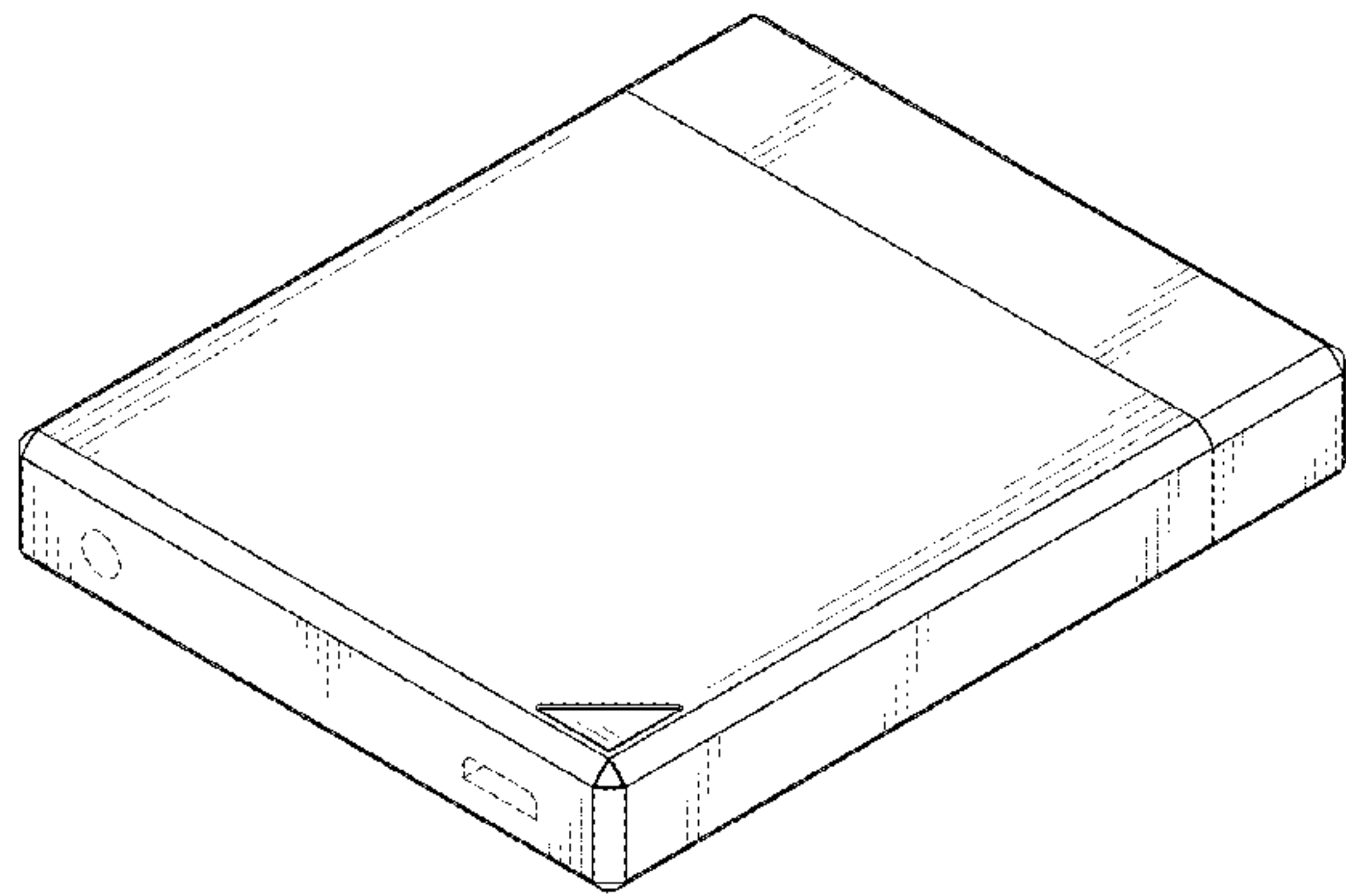
(57) **CLAIM**

The ornamental design for a mobile power, as shown and described.

DESCRIPTION

FIG. 1 is a perspective view of a mobile power showing our new design;
FIG. 2 is a front elevational view thereof;
FIG. 3 is a rear elevational view thereof;
FIG. 4 is a left side elevational view thereof;
FIG. 5 is a right side elevational view thereof;
FIG. 6 is a top plan view thereof;
FIG. 7 is a bottom plan view thereof; and,
FIG. 8 is an exploded perspective view thereof.
The broken lines in the drawings are employed for illustrative purposes only and form no part of the claimed design.

1 Claim, 8 Drawing Sheets



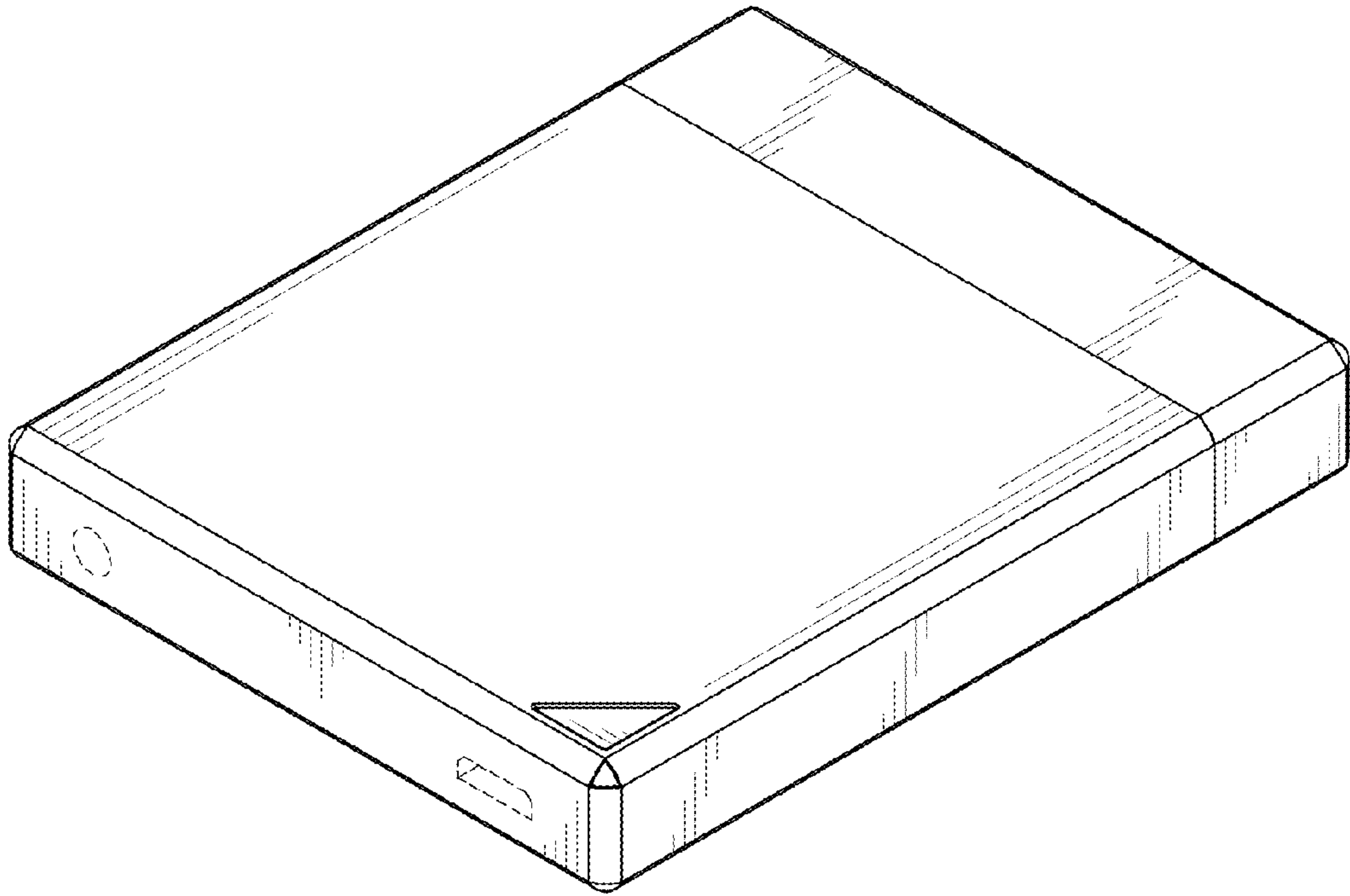


FIG. 1

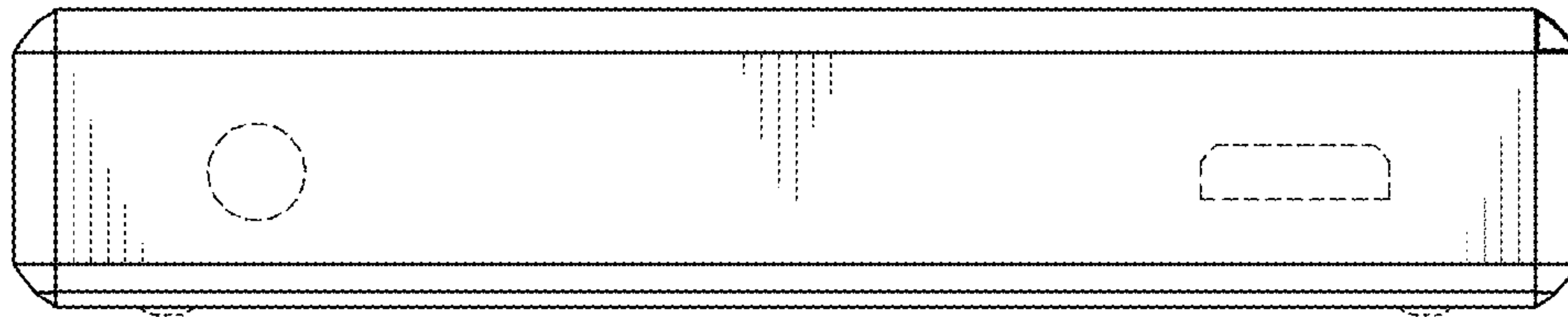


FIG. 2

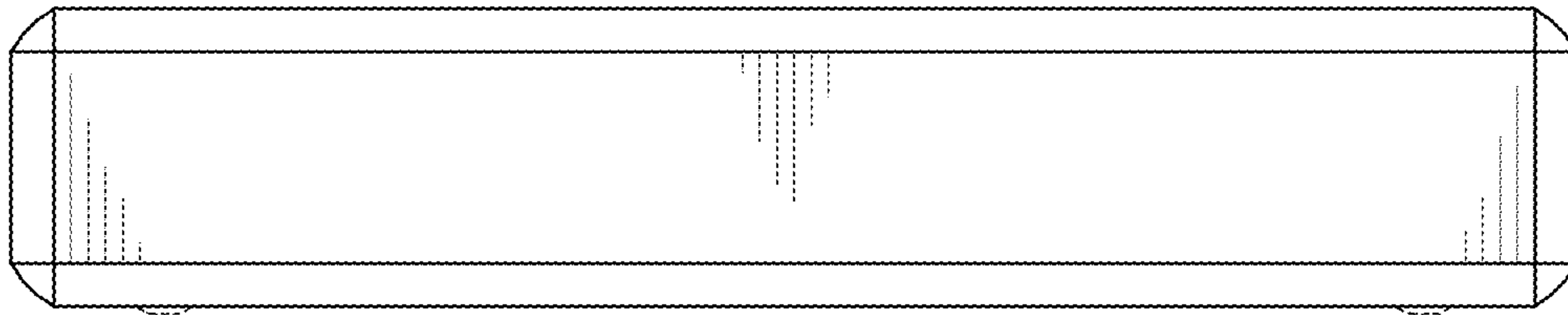


FIG. 3

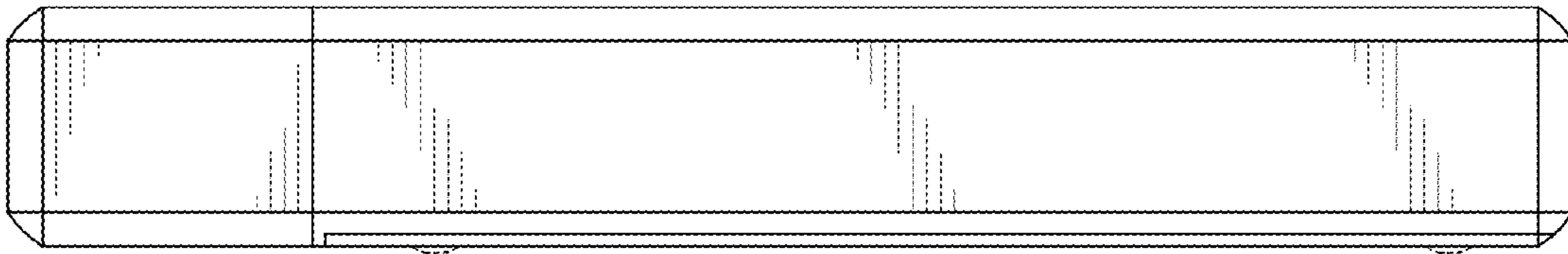


FIG. 4

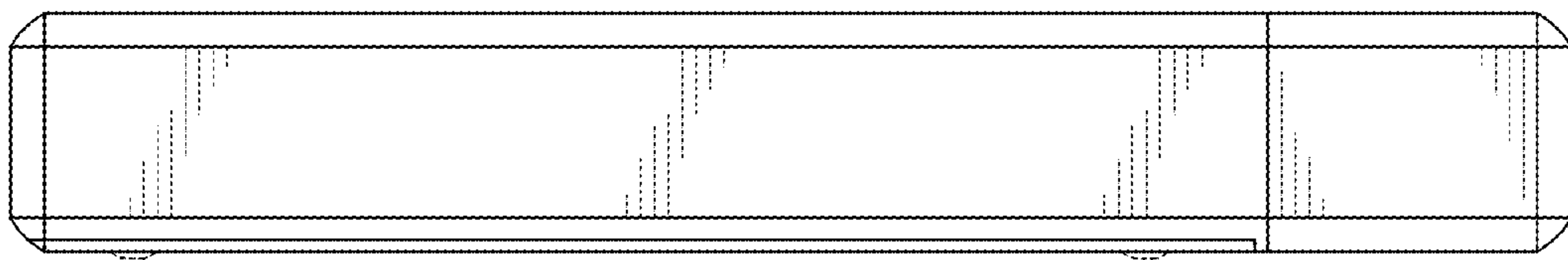


FIG. 5

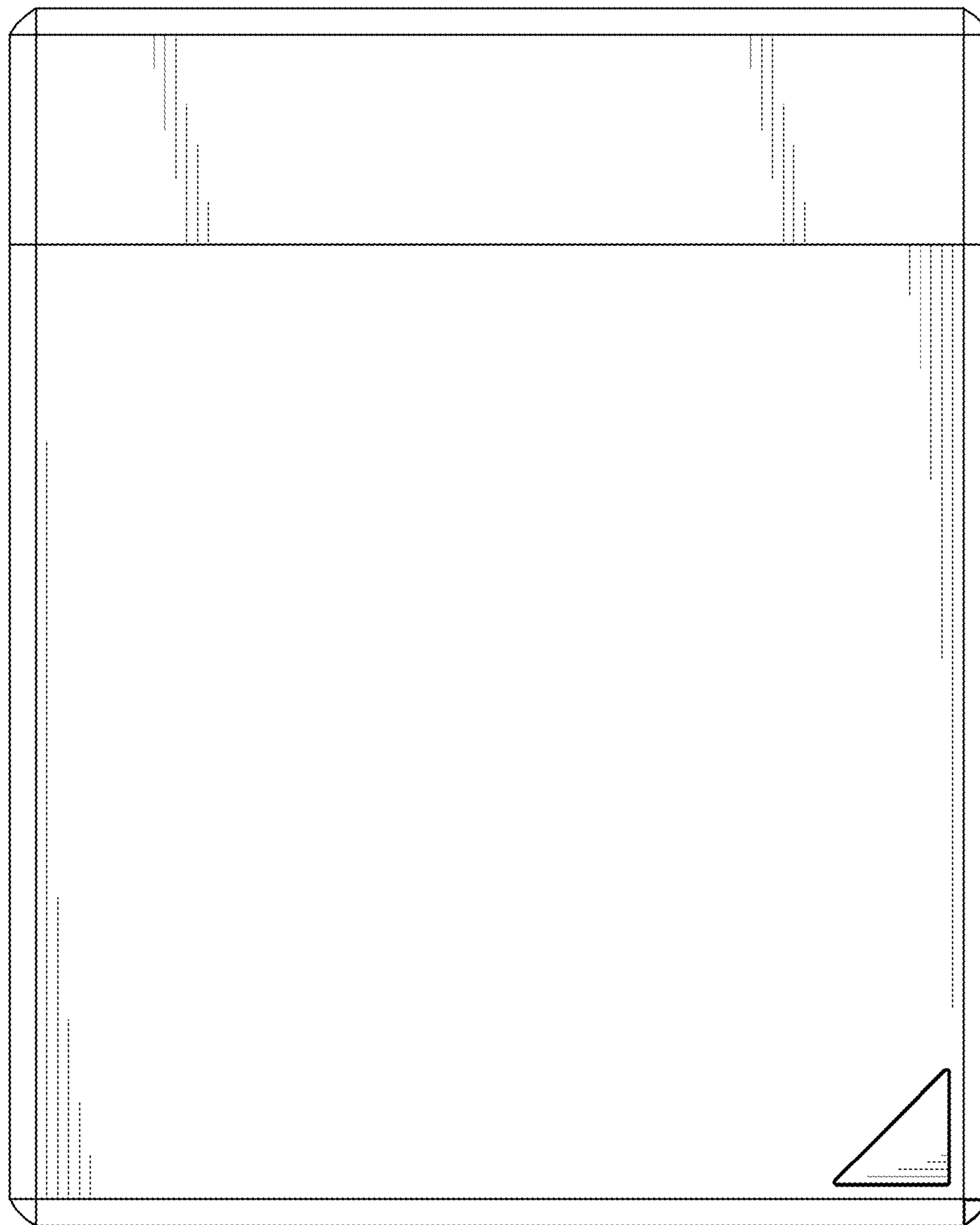


FIG. 6

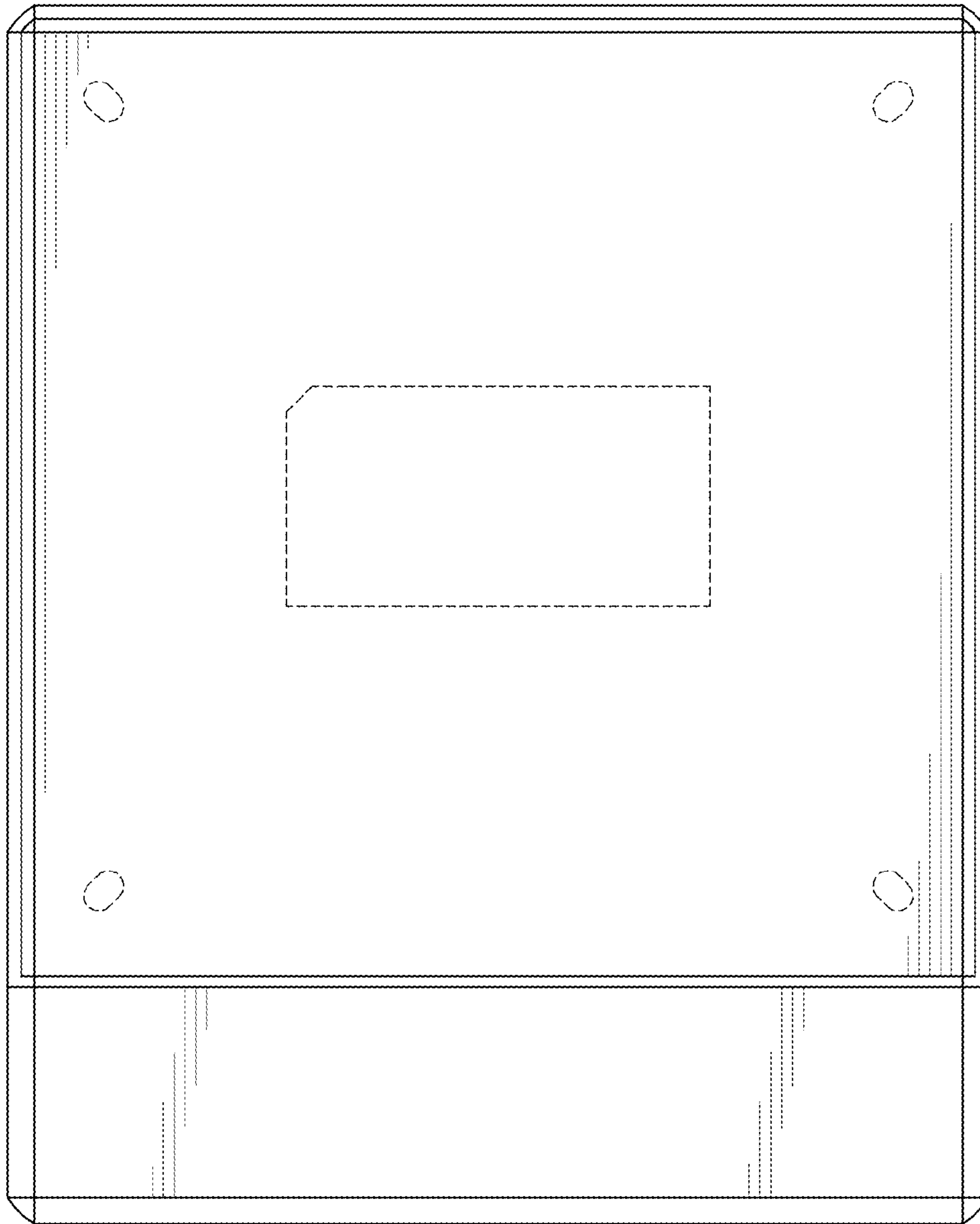


FIG. 7

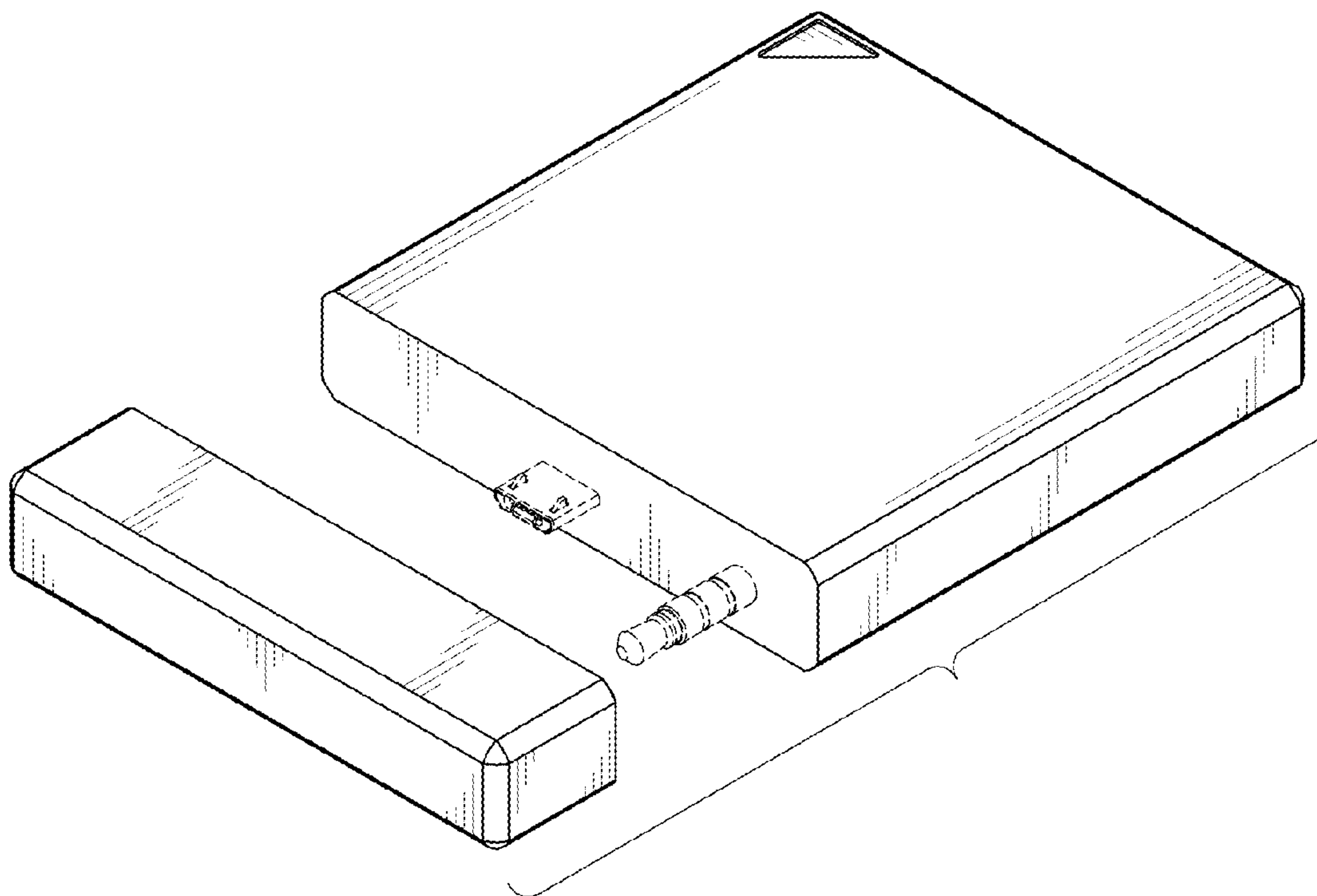


FIG. 8