



US00D684112S

(12) **United States Design Patent**
Fallon

(10) **Patent No.:** **US D684,112 S**
(45) **Date of Patent:** **** Jun. 11, 2013**

- (54) **SOLAR PANEL ASSEMBLY**
- (71) Applicant: **Green Light Innovations**, Lake Saint Louis, MO (US)
- (72) Inventor: **Timothy G. Fallon**, Lake Saint Louis, MO (US)
- (73) Assignee: **Green Light Innovations**, Lake Saint Louis, MO (US)
- (**) Term: **14 Years**
- (21) Appl. No.: **29/436,490**
- (22) Filed: **Nov. 6, 2012**
- (51) **LOC (9) Cl.** **13-02**
- (52) **U.S. Cl.**
USPC **D13/102**
- (58) **Field of Classification Search**
USPC . D13/102, 101, 103, 107, 108, 199; 136/206, 136/243, 244, 245, 252; 320/101, 102, 114, 320/115, 120
See application file for complete search history.

D628,534 S	12/2010	Daniel
D643,363 S	8/2011	Wigmore
D647,048 S	10/2011	Sasada et al.
D650,736 S	12/2011	Wharram
D652,373 S	1/2012	Sasada et al.
D652,376 S	1/2012	Nomi et al.
D657,305 S	4/2012	Nomi et al.
8,173,893 B2	5/2012	Huang
2005/0162121 A1	7/2005	Chan
2009/0007958 A1	1/2009	Ho et al.
2009/0256520 A1	10/2009	Frishman
2010/0153312 A1	6/2010	Lemaire
2011/0065474 A1	3/2011	Won et al.
2011/0109259 A1	5/2011	Choi et al.
2011/0204843 A1	8/2011	Foster
2011/0291607 A1	12/2011	Rossi et al.
2012/0031470 A1	2/2012	Dimov et al.

* cited by examiner

Primary Examiner — Derrick Holland

(74) *Attorney, Agent, or Firm* — Armstrong Teasdale LLP

(57) **CLAIM**

The ornamental design for a solar panel assembly, as shown and described.

DESCRIPTION

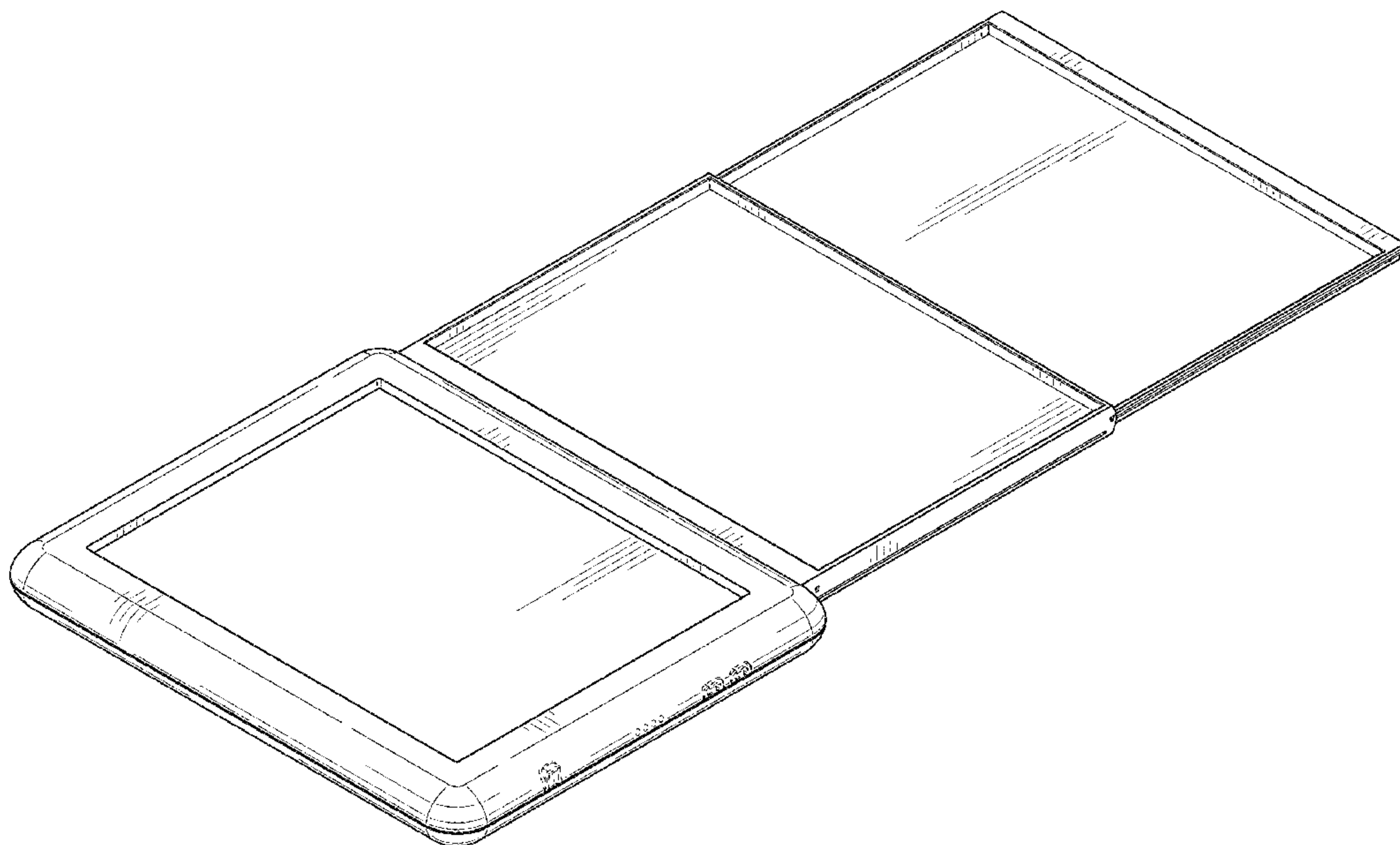
FIG. 1 is a perspective view of a solar panel assembly showing my new design;
FIG. 2 is a front elevation view thereof;
FIG. 3 is a rear elevation view thereof;
FIG. 4 is a top plan view thereof; and,
FIG. 5 is a bottom plan view thereof.
The phantom lines in the drawings indicate environmental structure which forms no part of the claimed design.

1 Claim, 4 Drawing Sheets

(56) **References Cited**

U.S. PATENT DOCUMENTS

5,522,943 A	6/1996	Spencer et al.	
D391,921 S	* 3/1998	Zimmer et al.	D13/102
D400,162 S	* 10/1998	Lam	D13/107
D489,680 S	5/2004	Stobart	
D510,316 S	10/2005	Hayakawa	
D581,865 S	12/2008	Koza	
D582,842 S	* 12/2008	Wei	D13/102
D617,265 S	6/2010	Sasada et al.	
D625,251 S	10/2010	Workman et al.	



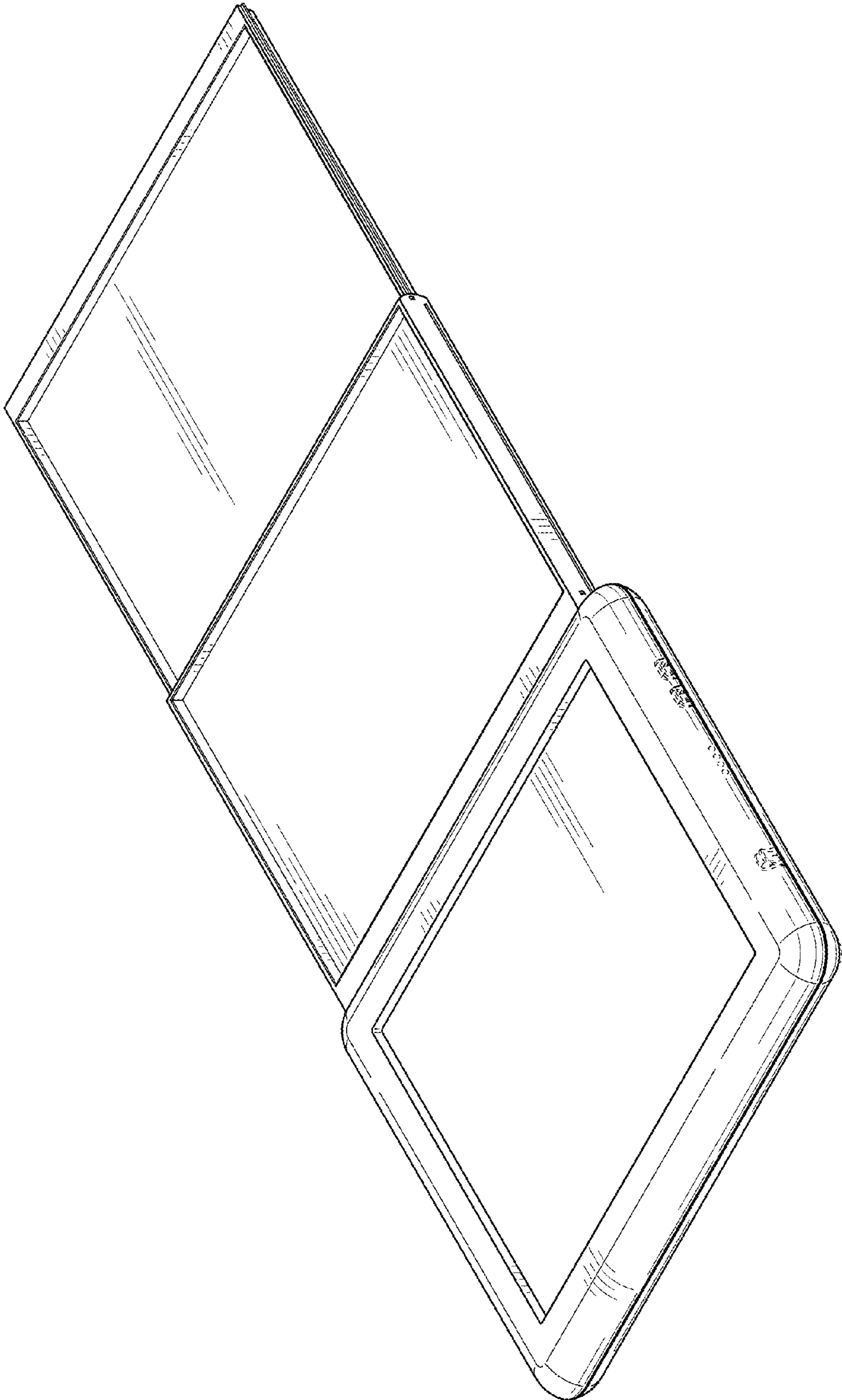


FIG. 1

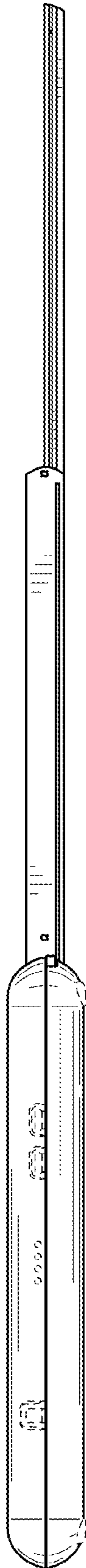


FIG. 2

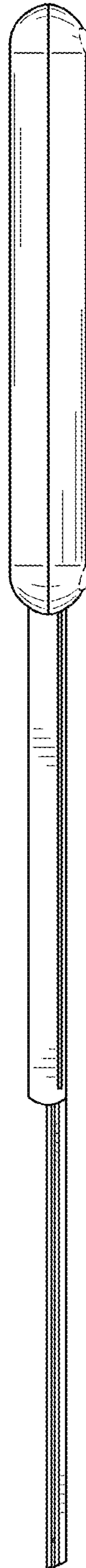


FIG. 3

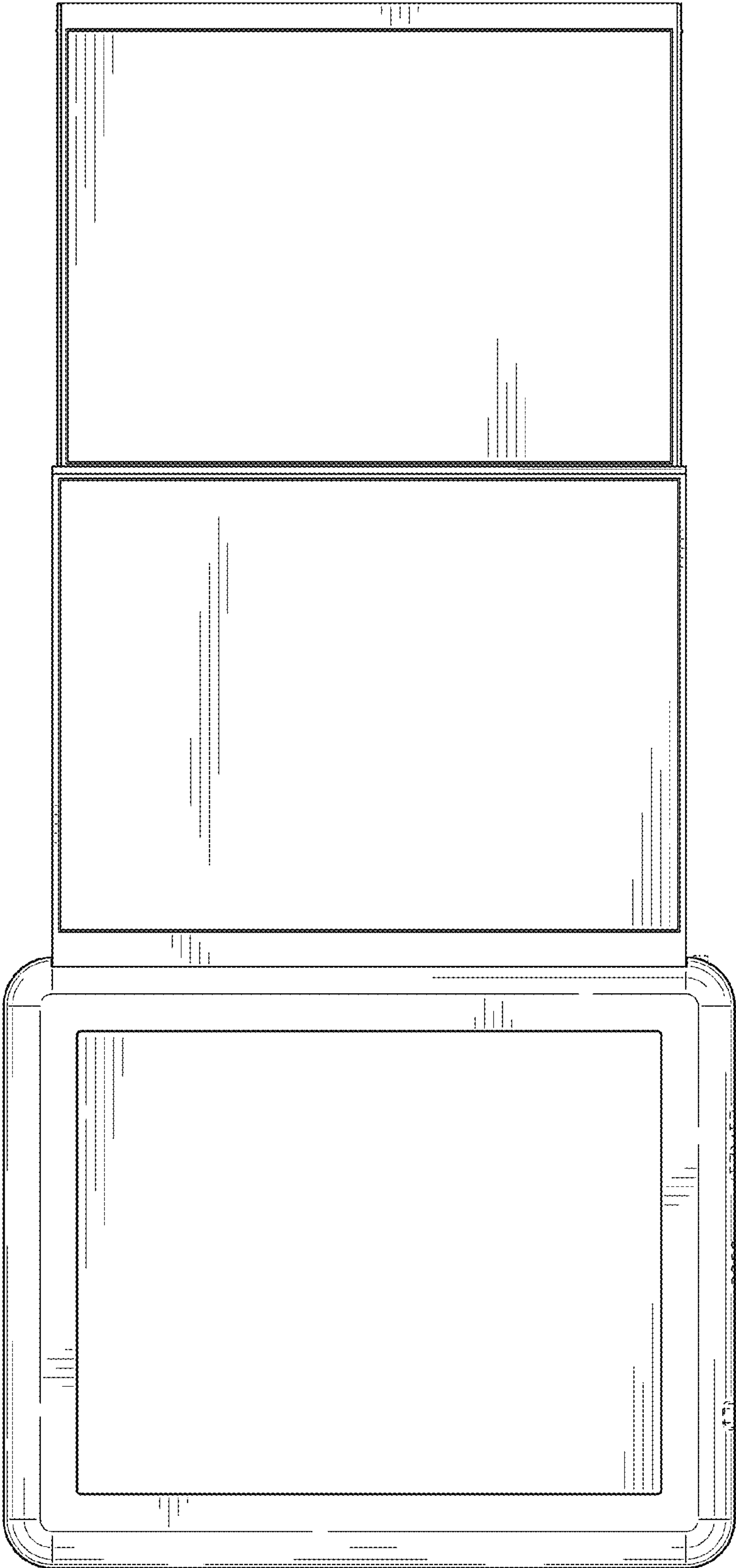


FIG. 4

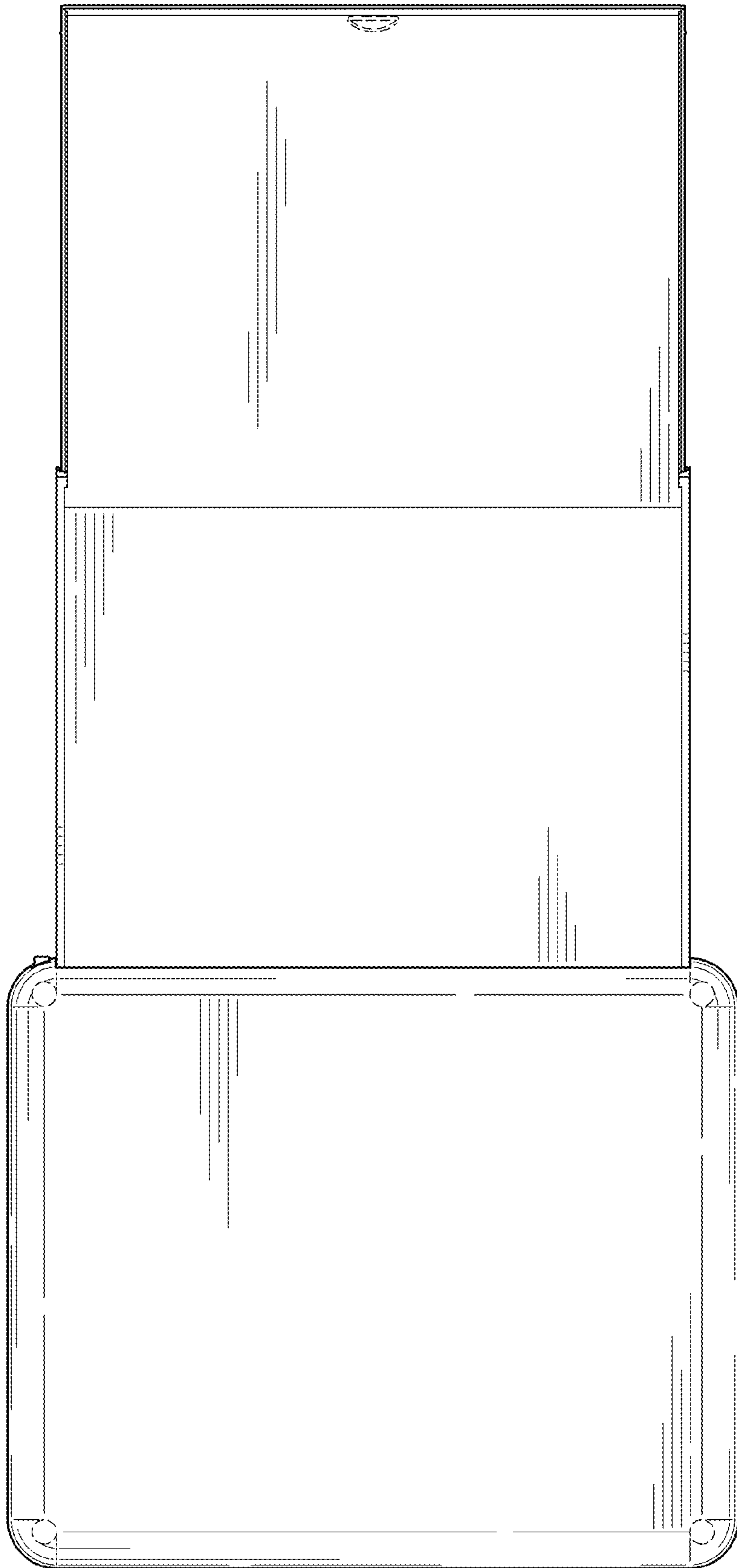


FIG. 5