



US00D684108S

(12) **United States Design Patent**  
**Miyazaki**

(10) **Patent No.:** **US D684,108 S**  
(45) **Date of Patent:** **\*\* Jun. 11, 2013**

- (54) **TIRE**
- (75) Inventor: **Tetsuji Miyazaki**, Osaka (JP)
- (73) Assignee: **Toyo Tire & Rubber Co., Ltd.**, Osaka (JP)
- (\*\*) Term: **14 Years**
- (21) Appl. No.: **29/411,748**
- (22) Filed: **Jan. 25, 2012**
- (30) **Foreign Application Priority Data**  
Nov. 18, 2011 (JP) ..... 2011-026765
- (51) **LOC (9) Cl.** ..... **12-15**
- (52) **U.S. Cl.**  
USPC ..... **D12/589**
- (58) **Field of Classification Search**  
USPC ..... D12/568-603; 152/209.1-209.28  
See application file for complete search history.

- (56) **References Cited**  
  
U.S. PATENT DOCUMENTS  
D601,084 S \* 9/2009 Park et al. .... D12/588  
2012/0318420 A1\* 12/2012 Sawai ..... 152/209.15  
2013/0000804 A1\* 1/2013 Kiwaki ..... 152/209.1
- FOREIGN PATENT DOCUMENTS  
JP D1219773 10/2004

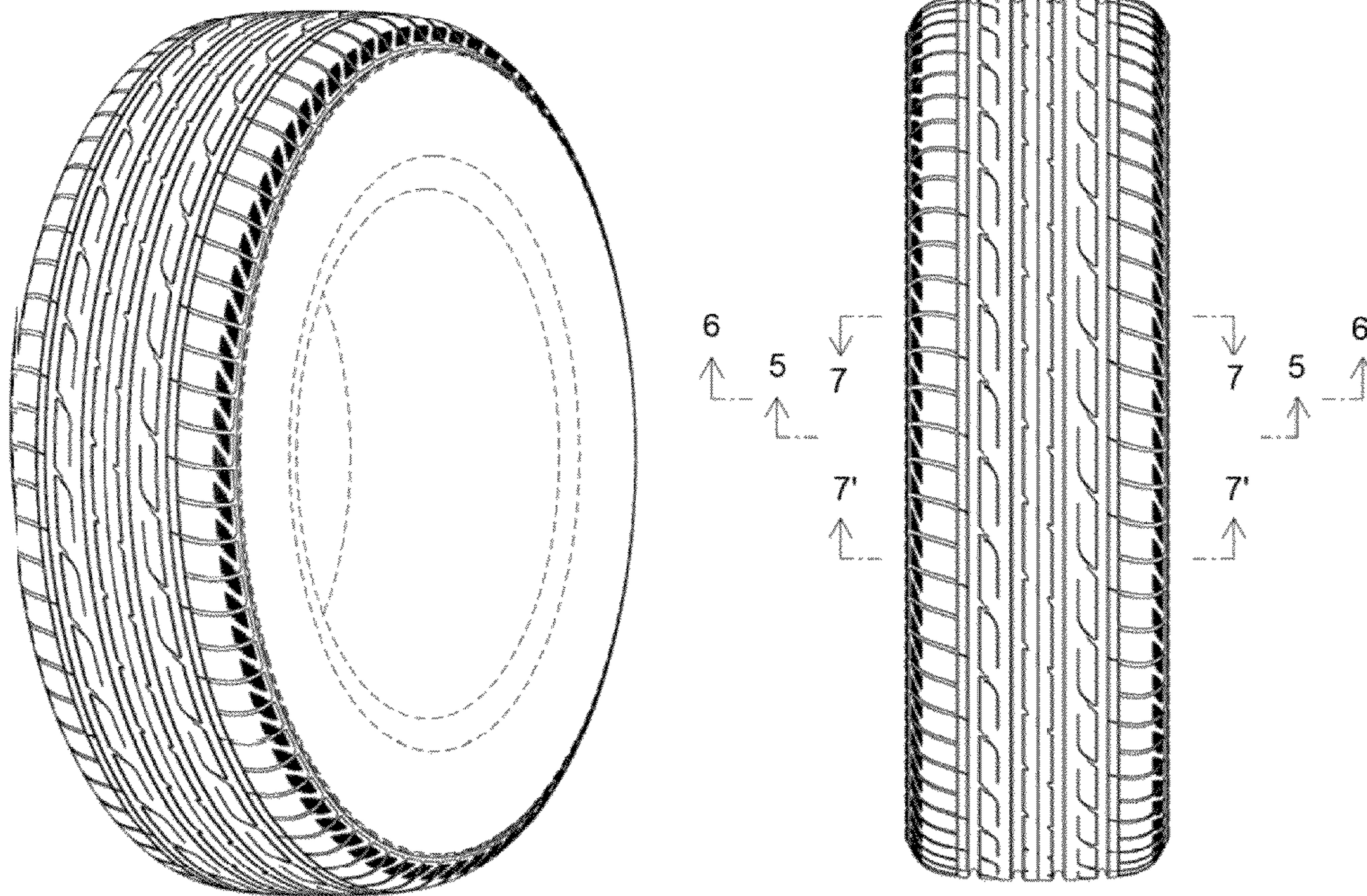
JP D1331134 5/2008  
JP D1383640 3/2010  
\* cited by examiner  
  
*Primary Examiner* — George D Kirschbaum  
(74) *Attorney, Agent, or Firm* — Sterne, Kessler, Goldstein & Fox PLLC

(57) **CLAIM**  
The ornamental design for a tire, as shown and described.

**DESCRIPTION**

FIG. 1 is a perspective view of a tire showing my new design; FIG. 2 is a front view thereof, for which the rear view is the same; FIG. 3 is a top plan view thereof, for which the bottom plan view is the same; FIG. 4 is a right side view thereof, for which the left side view is the same; FIG. 5 is a cross-sectional view taken along line 5-5 in FIG. 2 and line 5'-5' in FIG. 4; FIG. 6 is a cross-sectional view taken along line 6-6 in FIG. 2 and line 5'-5' in FIG. 4; and, FIG. 7 is an enlarged view taken along lines 7-7 and 7'-7' in FIG. 2.  
In the drawings, the broken lines defining portions of the sidewall and inner bead depict environmental subject matter that forms no part of the claimed design.

**1 Claim, 7 Drawing Sheets**





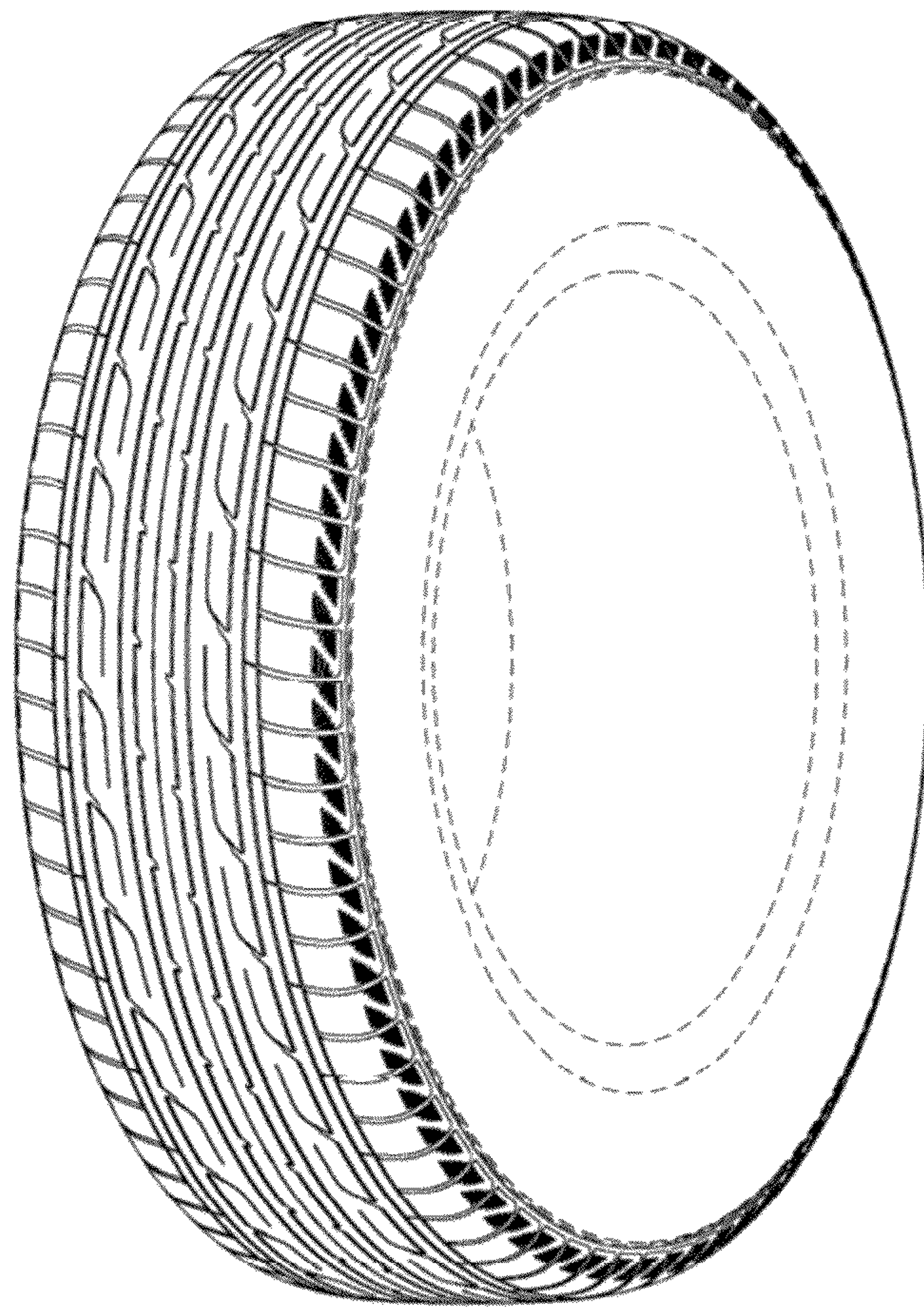


FIG. 1

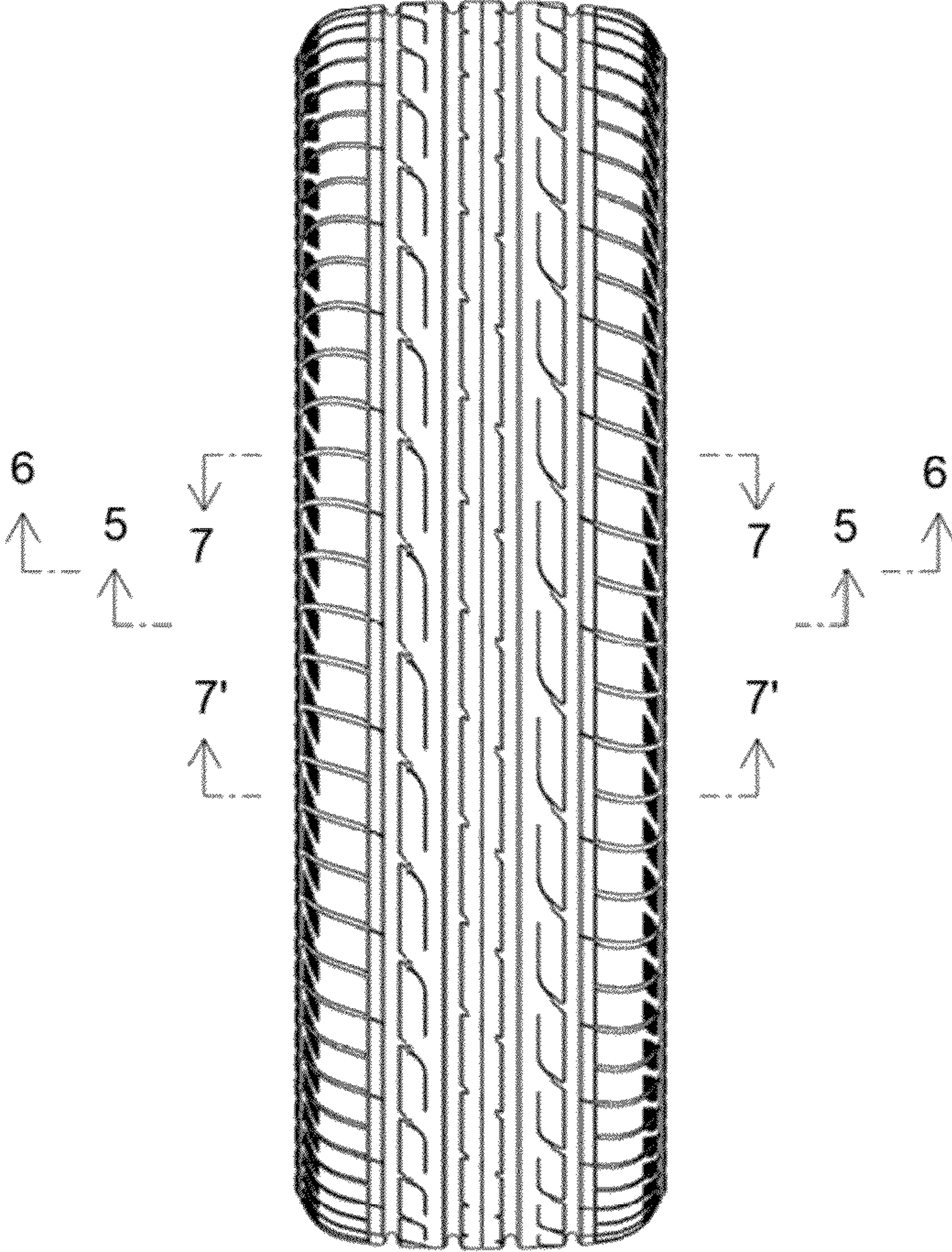


FIG. 2



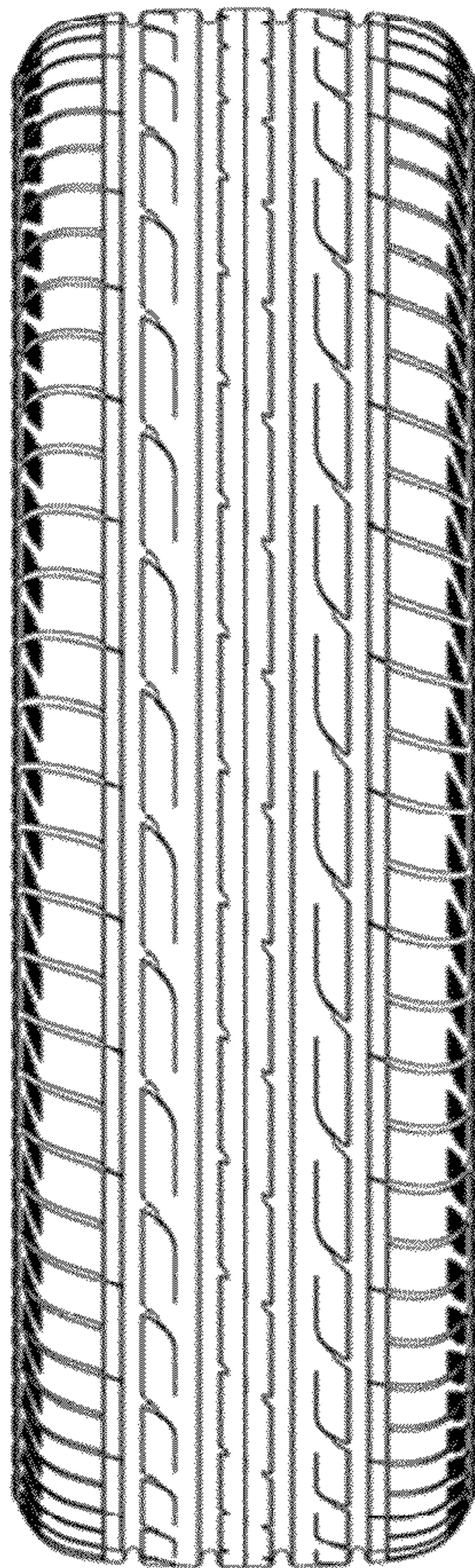


FIG. 3

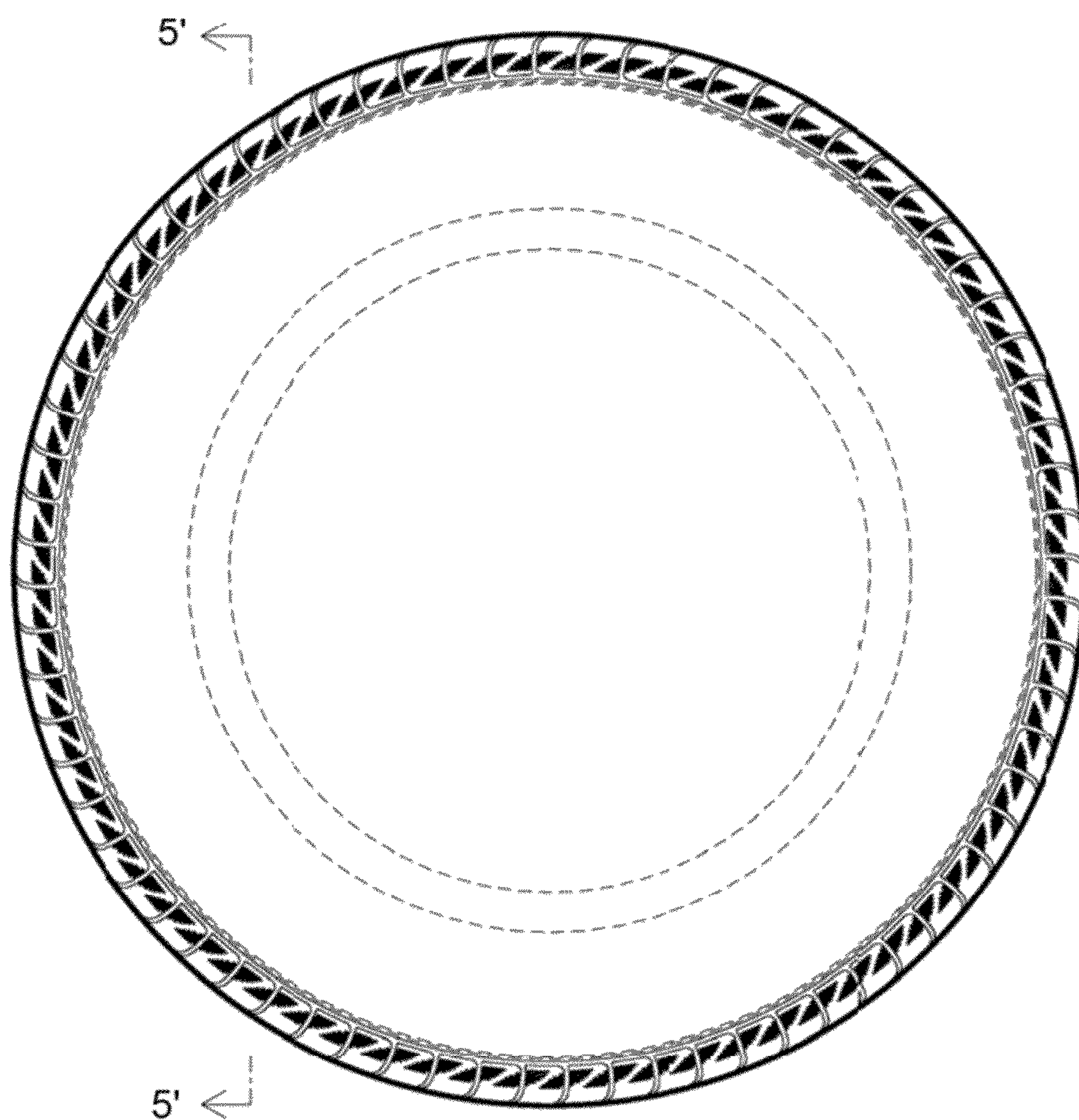
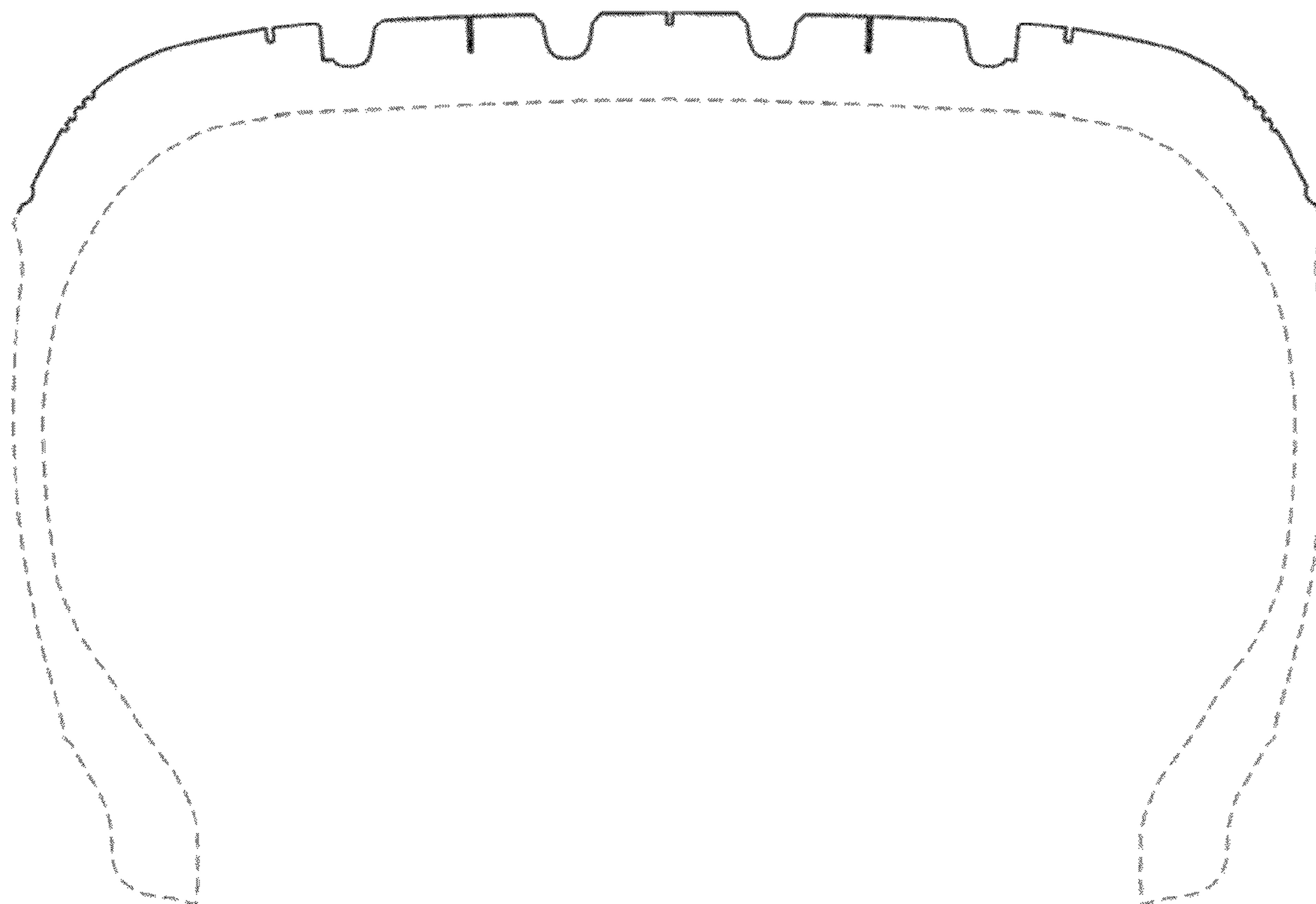
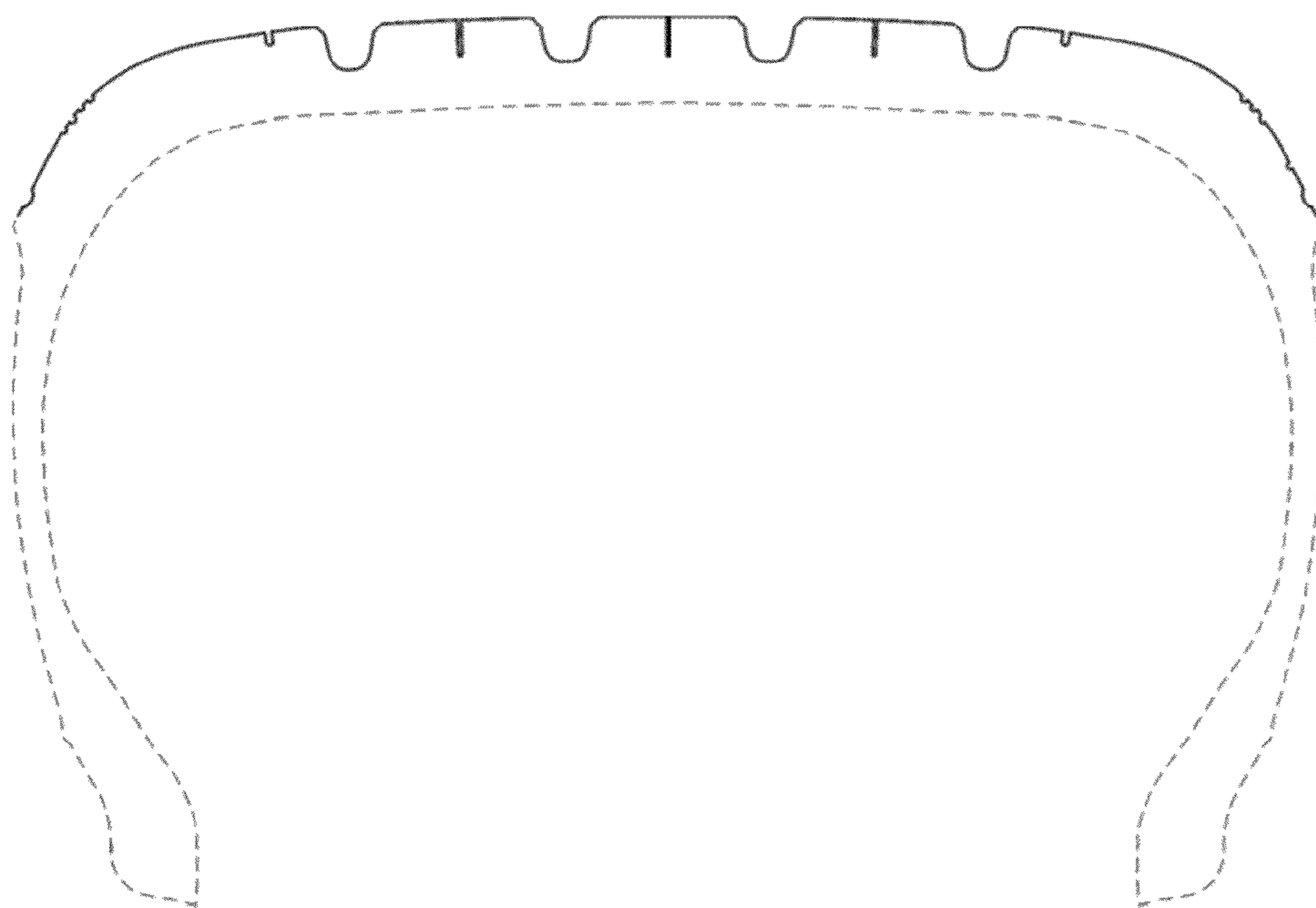


FIG. 4



**FIG. 5**



**FIG. 6**



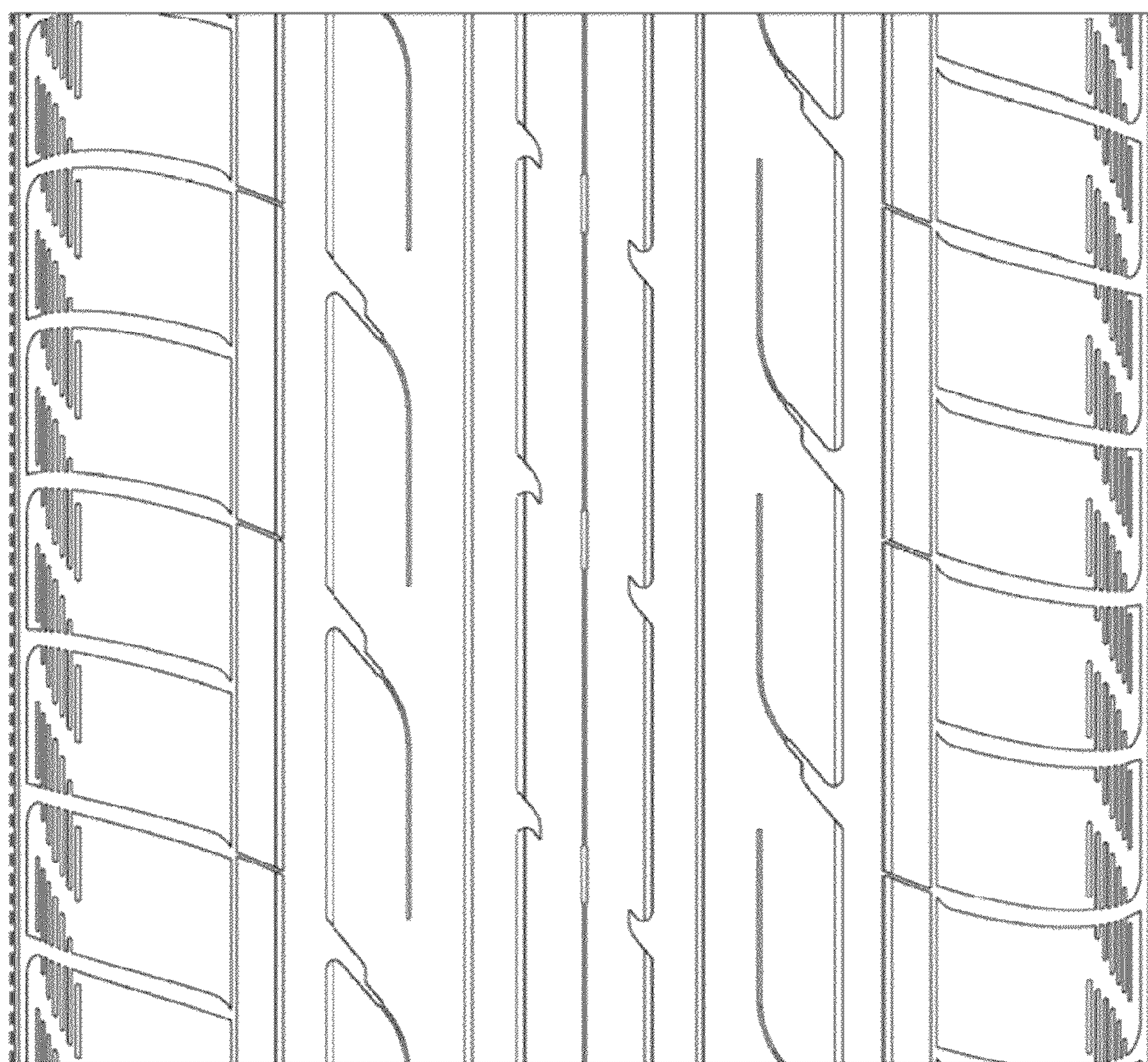


FIG. 7