



US00D684107S

(12) **United States Design Patent**
Lamb

(10) **Patent No.:** **US D684,107 S**
(45) **Date of Patent:** **** Jun. 11, 2013**

(54) **TIRE TREAD FOR A VEHICLE TIRE**

(75) Inventor: **Matthew J. Lamb**, Waxhaw, NC (US)

(73) Assignee: **Continental Reifen Deutschland GmbH**, Hannover (DE)

(**) Term: **14 Years**

(21) Appl. No.: **29/396,462**

(22) Filed: **Jun. 30, 2011**

(30) **Foreign Application Priority Data**

Feb. 3, 2011 (EM) 001815937

(51) **LOC (9) Cl.** **12-15**

(52) **U.S. Cl.**
USPC **D12/588**; D12/585

(58) **Field of Classification Search**
USPC D12/568-603, 900-901, 551-555;
152/209.1, 209.8-209.25, 209.28, 455
See application file for complete search history.

(56) **References Cited**

U.S. PATENT DOCUMENTS

D388,379 S *	12/1997	Harpes et al.	D12/585
D391,204 S *	2/1998	Harpes et al.	D12/585
D478,040 S *	8/2003	Hino	D12/583
D479,188 S *	9/2003	Hutz et al.	D12/603
D481,352 S *	10/2003	Hutz et al.	D12/588

D482,322 S *	11/2003	Hiroko	D12/584
D531,114 S *	10/2006	Dixon et al.	D12/587
D555,582 S *	11/2007	Lee	D12/588
D592,128 S *	5/2009	Lee	D12/587
D601,084 S *	9/2009	Park et al.	D12/588
D612,801 S *	3/2010	Scheifele	D12/588
D651,557 S *	1/2012	Ohashi	D12/588
D659,083 S *	5/2012	Nguyen et al.	D12/587
D661,247 S *	6/2012	Sareen	D12/602
D666,555 S *	9/2012	Takano	D12/585

* cited by examiner

Primary Examiner — Stacia Cadmus

(74) *Attorney, Agent, or Firm* — Laurence A. Greenberg;
Werner H. Stemer; Ralph E. Locher

(57) **CLAIM**

The ornamental design for a tire tread of a vehicle tire, as shown and described.

DESCRIPTION

FIG. 1 is a perspective view of the vehicle tire, showing my new design;

FIG. 2 is a front elevational view thereof;

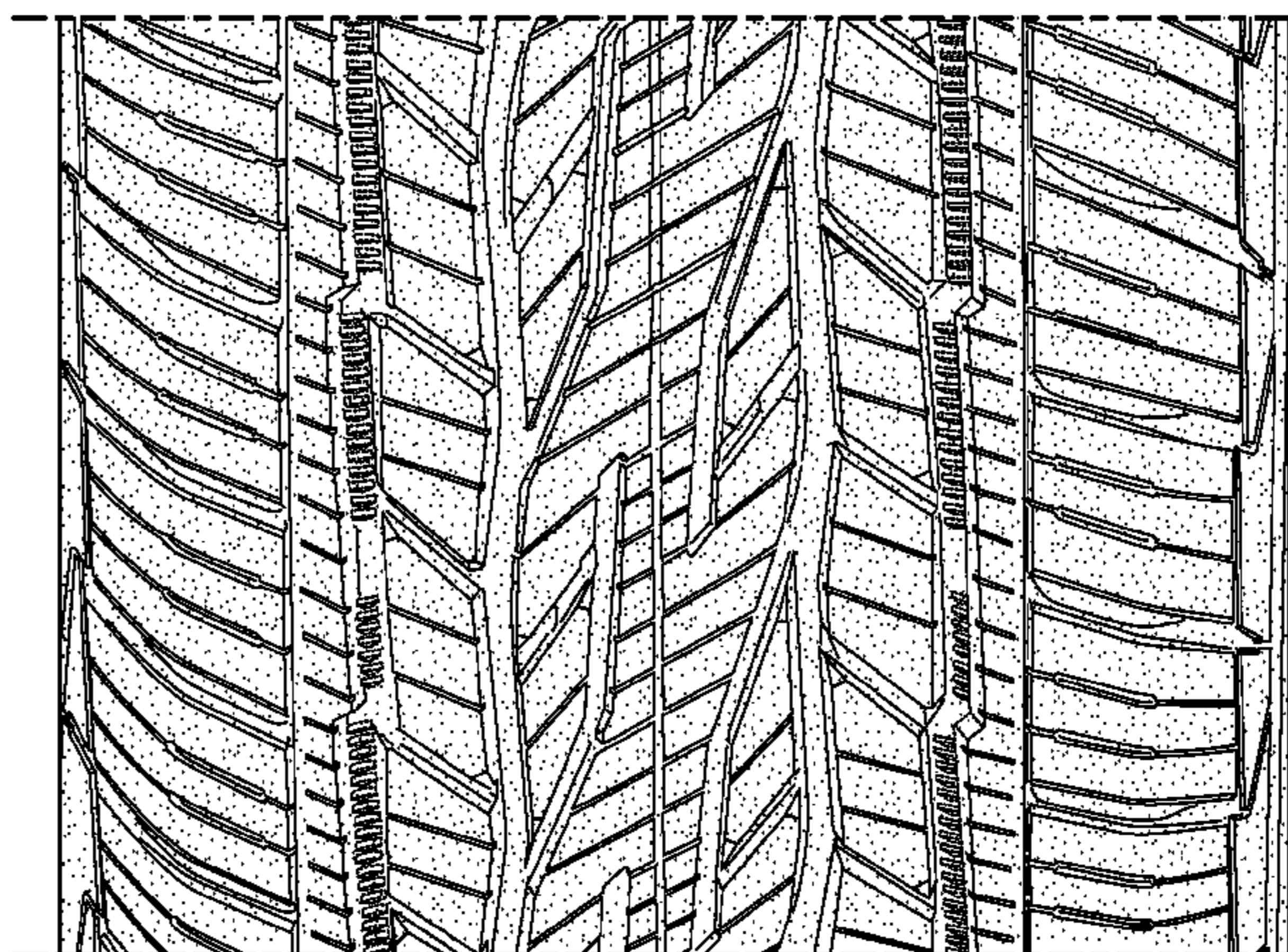
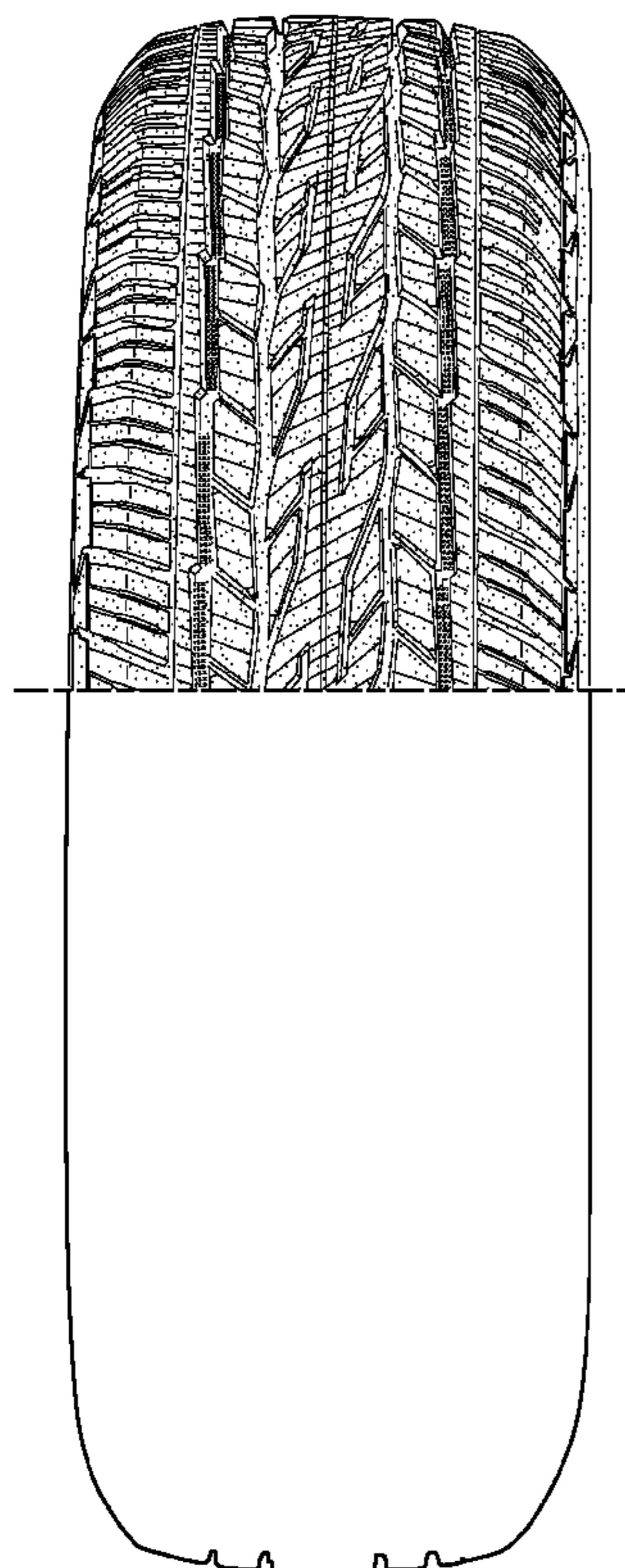
FIG. 3 is an enlarged partial front view thereof;

FIG. 4 is a right side elevational view thereof; and,

FIG. 5 is a left side elevational view thereof.

While only portions of the tread design are shown, it should be understood that the tread covers the tire circumferentially in its entirety. Dashed lines show unclaimed subject matter.

1 Claim, 5 Drawing Sheets



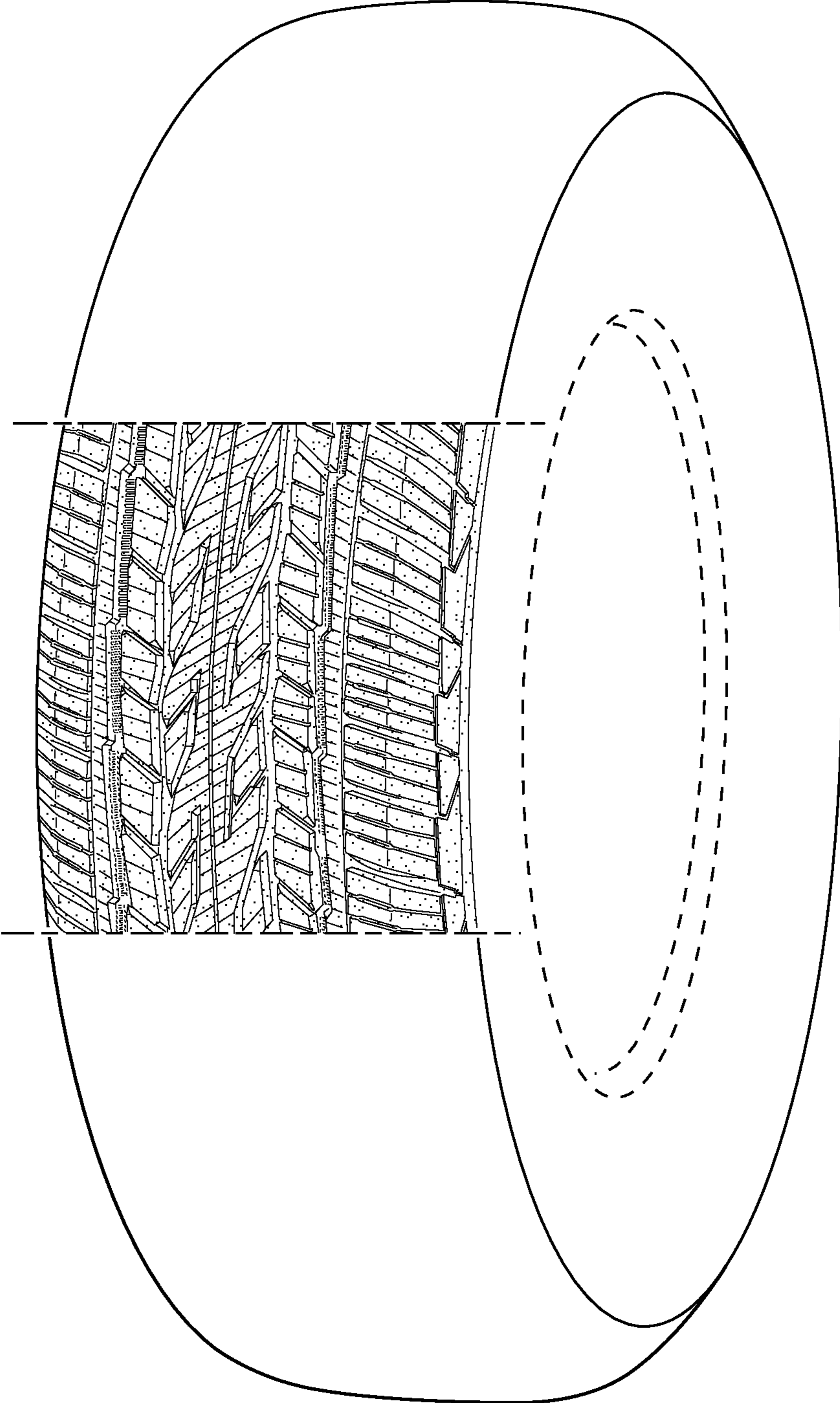


FIG. 1

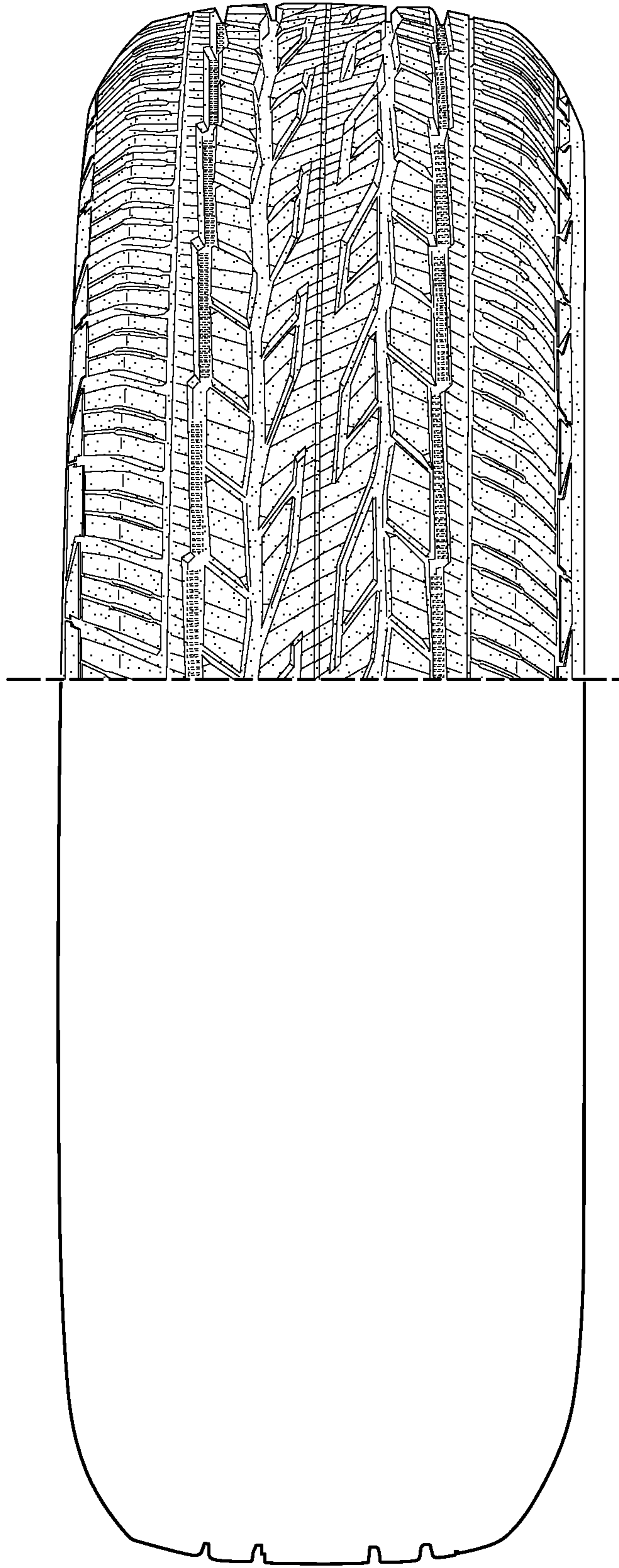


FIG. 2

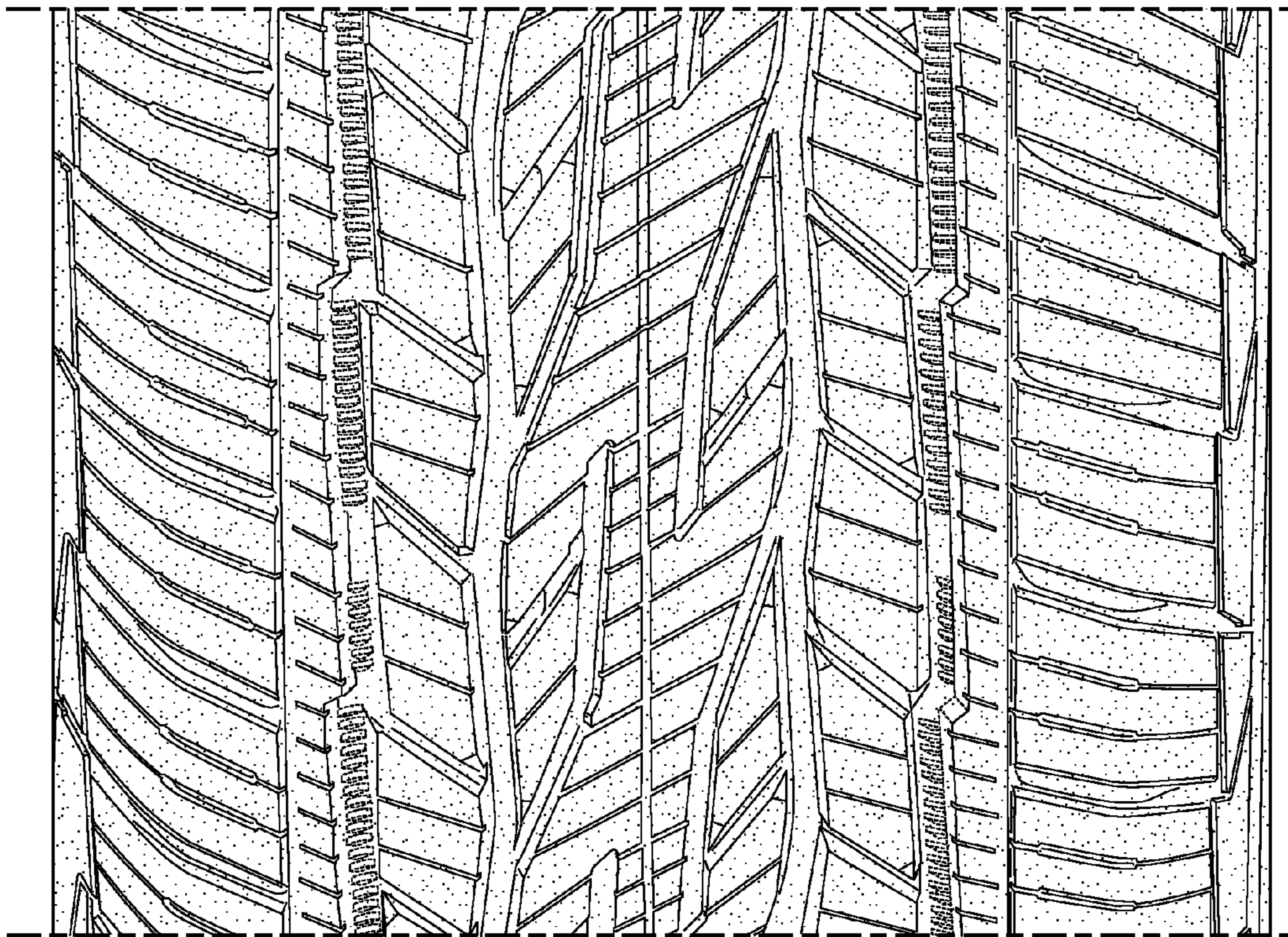


FIG. 3

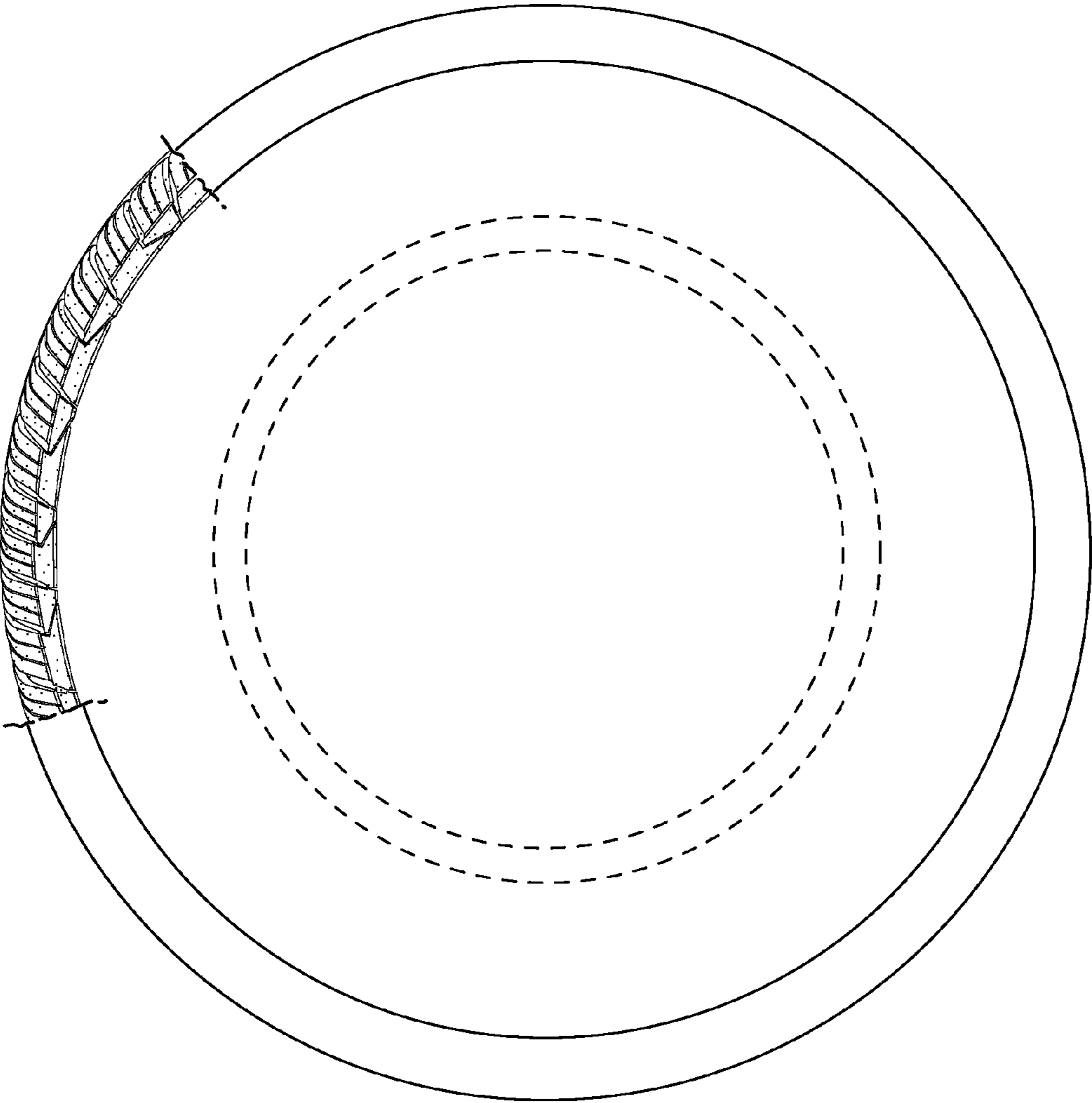


FIG. 4

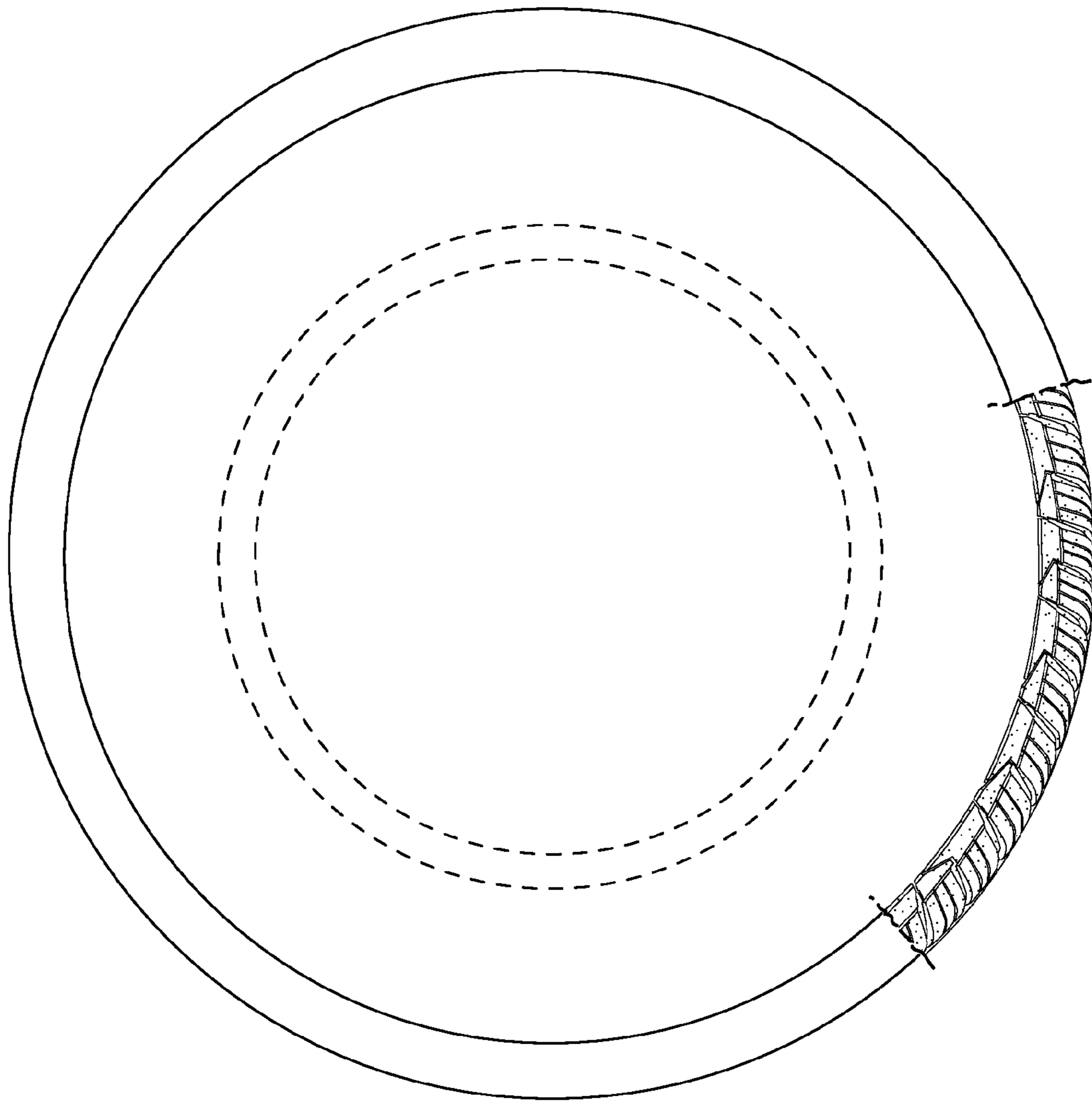


FIG. 5