



US00D684103S

(12) **United States Design Patent**
Morelli

(10) **Patent No.:** **US D684,103 S**
(45) **Date of Patent:** **** Jun. 11, 2013**

(54) **FUSELAGE**

(76) Inventor: **Luca Morelli**, Gubbio (IT)

(**) Term: **14 Years**

(21) Appl. No.: **29/373,398**

(22) Filed: **Apr. 4, 2011**

(51) **LOC (9) Cl.** **12-07**

(52) **U.S. Cl.**
USPC **D12/319**; D12/345

(58) **Field of Classification Search**
USPC D12/319, 320, 326, 327, 328, 331-334,
D12/336, 339, 340-345; 244/2, 4 R, 5, 6,
244/7 R, 12.1, 8, 13, 15, 24, 25, 36, 45 A,
244/45 R, 117 R, 119, 120; D21/430, 442,
D21/447, 448, 449, 450, 451, 452, 453;
446/230, 231, 232, 30-34, 55-58, 61; 280/1.12,
280/1.21

See application file for complete search history.

(56) **References Cited**

U.S. PATENT DOCUMENTS

D52,066 S *	5/1918	Stout	D12/319
D203,720 S *	2/1966	Jarchow	D12/335
D292,909 S *	11/1987	Drake	D12/319
4,901,950 A *	2/1990	Judge	244/119
D325,557 S *	4/1992	Cummings et al.	D12/337
5,201,478 A *	4/1993	Wooley	244/2

D384,322 S *	9/1997	Vanderhoof	D12/321
D628,528 S *	12/2010	Cabezas Carrasco	D12/319
D649,506 S *	11/2011	Morelli	D12/319

* cited by examiner

Primary Examiner — Caron D Veynar

Assistant Examiner — Martie K Holtje

(74) *Attorney, Agent, or Firm* — Lowe Hauptman Ham & Berner, LLP

(57) **CLAIM**

The ornamental design for a fuselage, as shown and described.

DESCRIPTION

FIG. 1 is a perspective view of a fuselage showing my new design.

FIG. 2 is a top plan view thereof;

FIG. 3 is a bottom plan view thereof;

FIG. 4 is a front elevational view thereof, drawn to an enlarged scale.

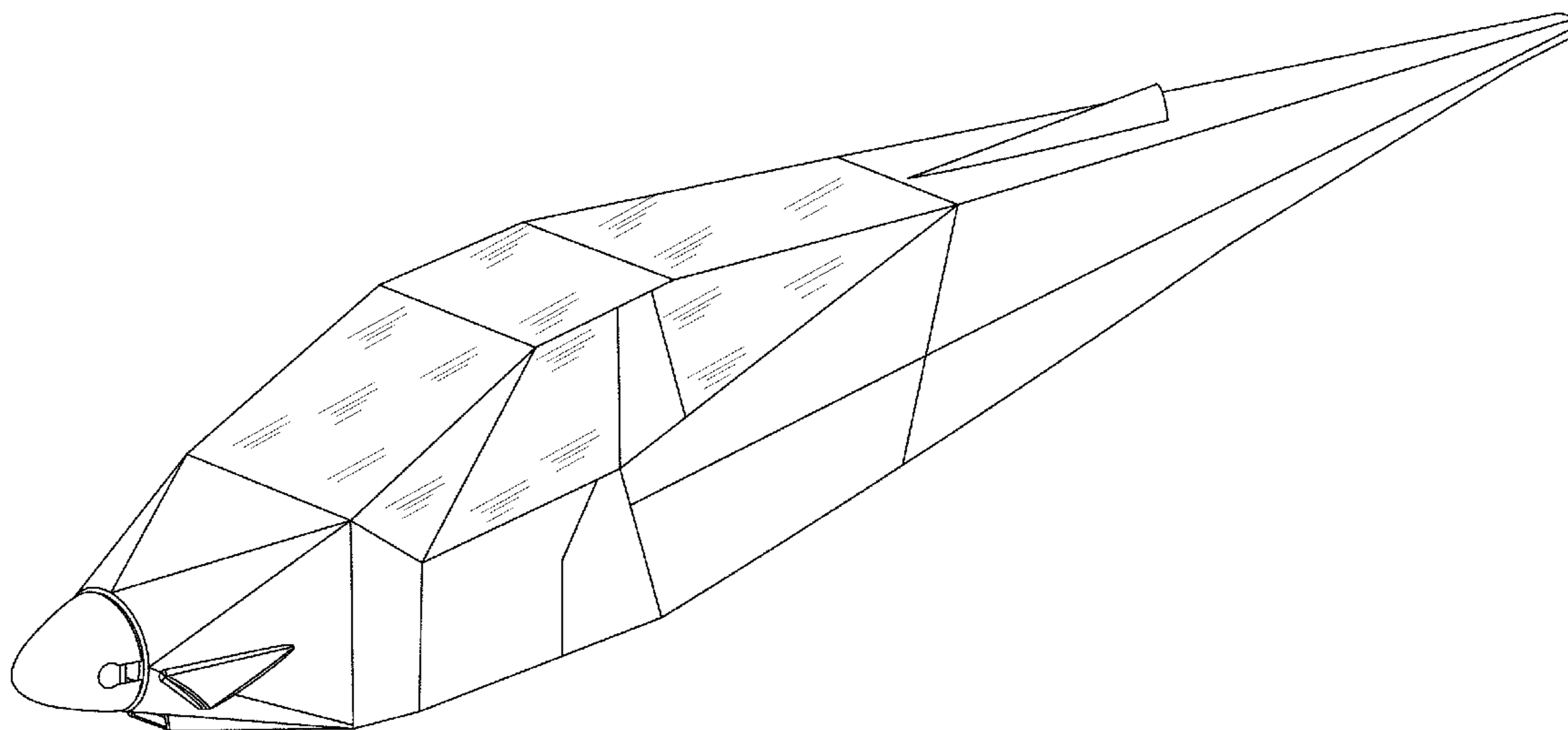
FIG. 5 is a rear elevational view thereof, drawn to an enlarged scale.

FIG. 6 is a right side elevational view thereof; and,

FIG. 7 is a left side elevational view thereof.

The broken line showing of structural elements is included for the purpose of illustrating portions of the fuselage that form no part of the claimed design.

1 Claim, 7 Drawing Sheets



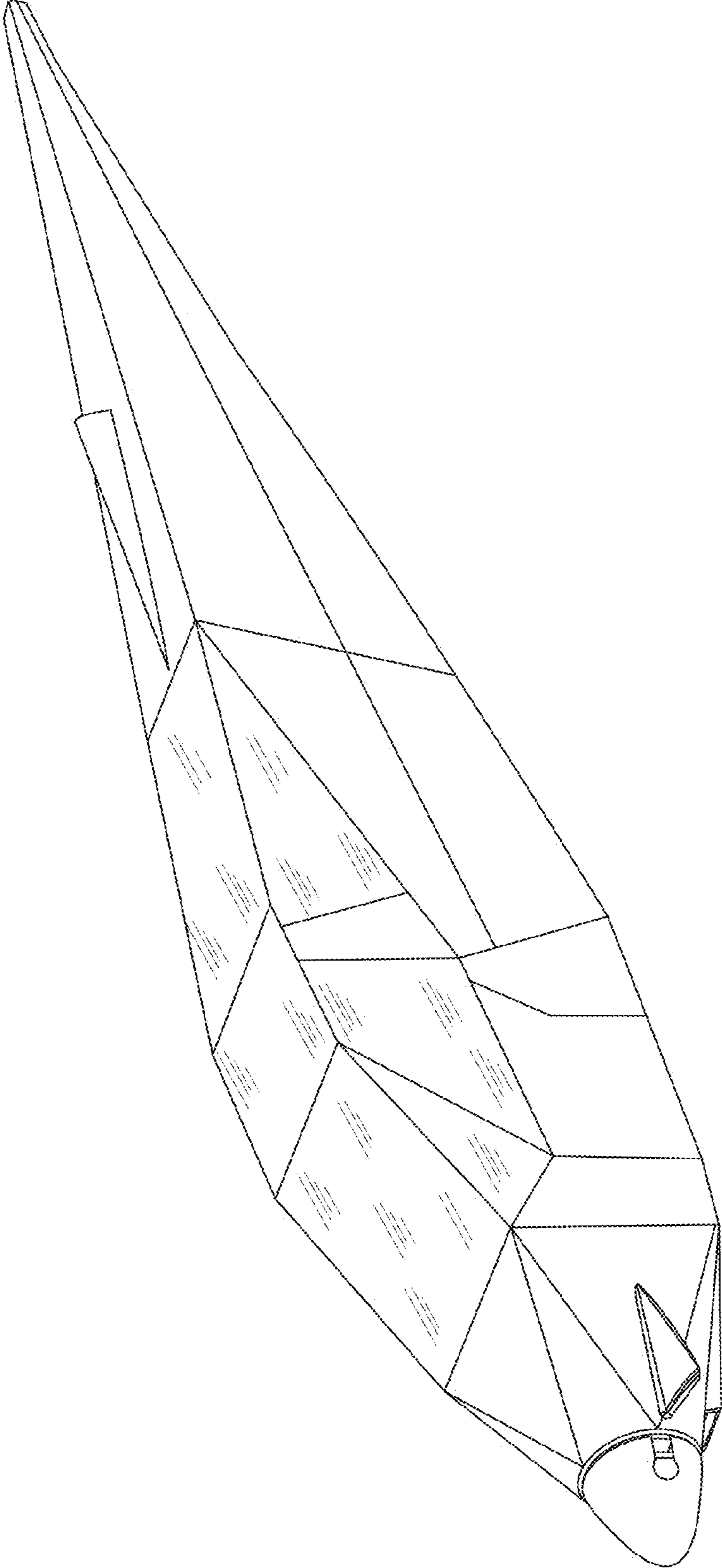


FIG. 1

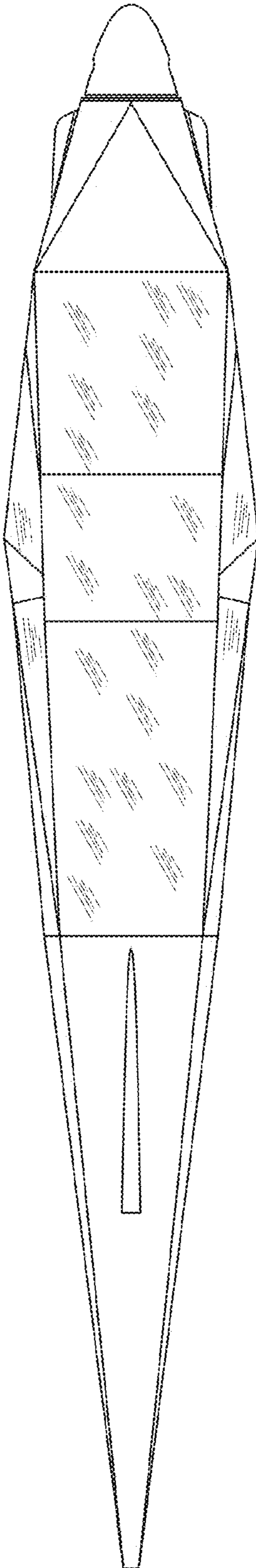


FIG. 2

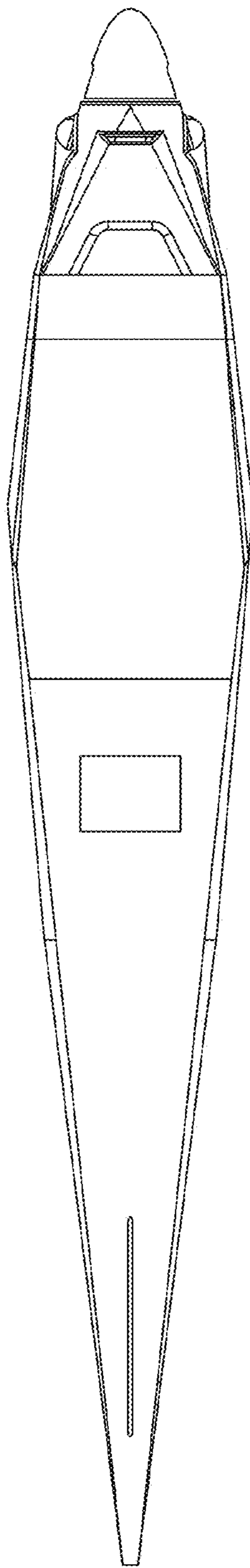


FIG. 3

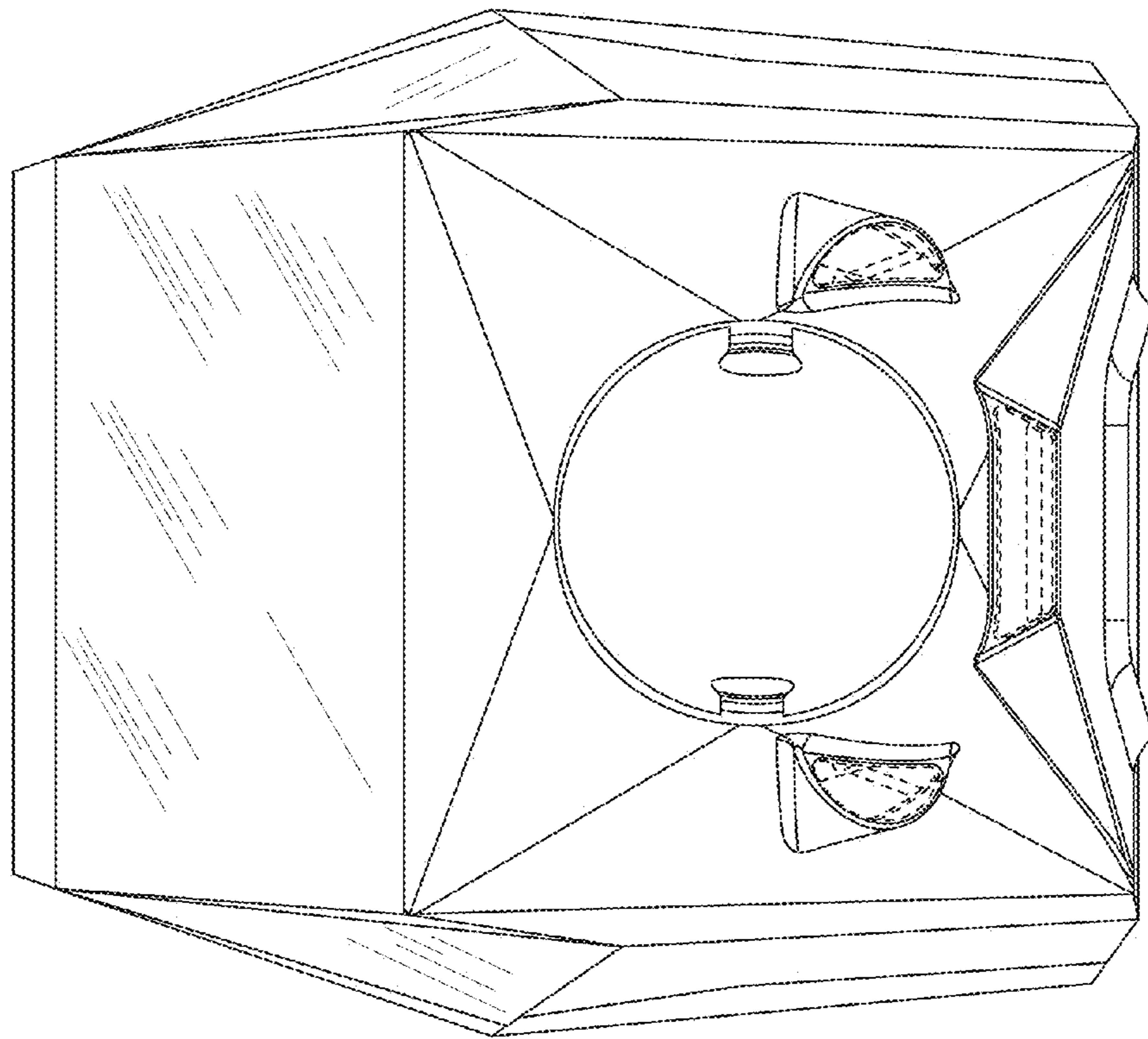


FIG. 4

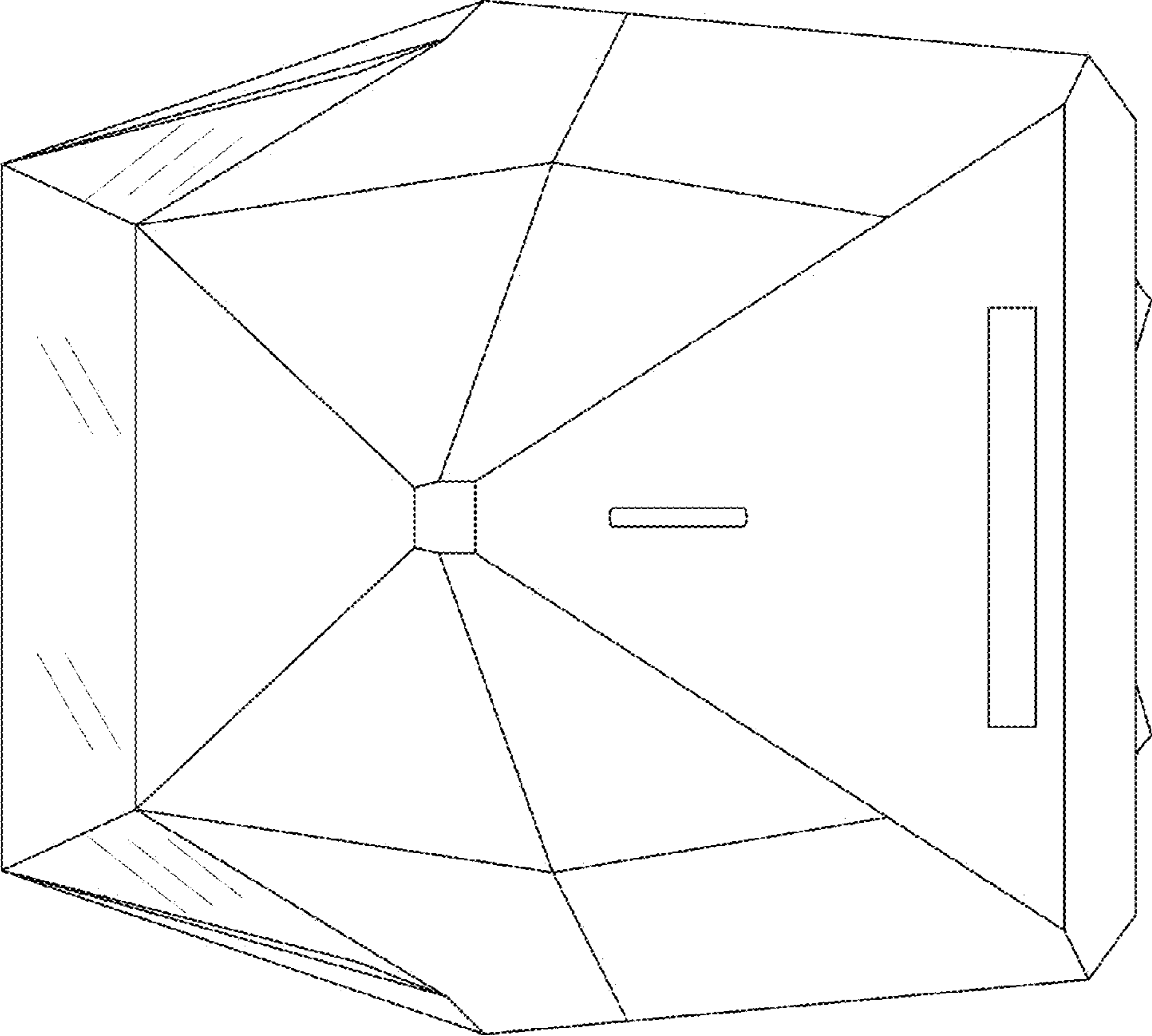


FIG. 5

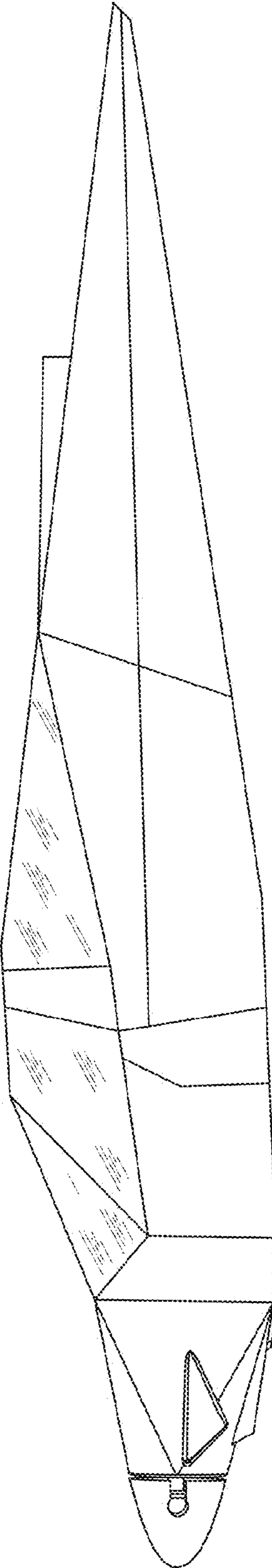


FIG. 6

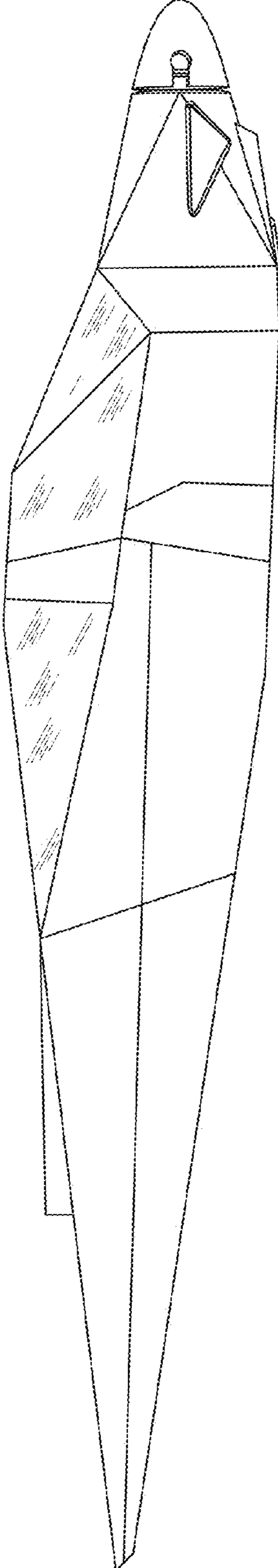


FIG. 7