



US00D684101S

(12) **United States Design Patent**
Alfonso

(10) **Patent No.:** **US D684,101 S**

(45) **Date of Patent:** **** Jun. 11, 2013**

(54) **AUTOMOBILE WHEEL**

(71) Applicant: **Ernie R. Alfonso**, Pomona, CA (US)

(72) Inventor: **Ernie R. Alfonso**, Pomona, CA (US)

(73) Assignee: **Direct Wheel Inc.**, Pomona, CA (US)

(**) Term: **14 Years**

(21) Appl. No.: **29/434,153**

(22) Filed: **Oct. 10, 2012**

(51) **LOC (9) Cl.** **12-16**

(52) **U.S. Cl.**
USPC **D12/211**

(58) **Field of Classification Search**
USPC D12/204-213; 301/37.101, 64.101,
301/65, 64.201

See application file for complete search history.

(56) **References Cited**

U.S. PATENT DOCUMENTS

D579,845 S * 11/2008 Chung D12/209
D583,291 S * 12/2008 Treadway D12/211

D590,317 S * 4/2009 Chung D12/211
D638,763 S * 5/2011 Chung D12/209
D649,101 S * 11/2011 Hale, Jr. D12/209
D669,009 S * 10/2012 Chung D12/211
D670,222 S * 11/2012 Chung D12/209
D670,227 S * 11/2012 Chung D12/211

* cited by examiner

Primary Examiner — Stacia Cadmus

(74) *Attorney, Agent, or Firm* — Adli Law Group P.C.

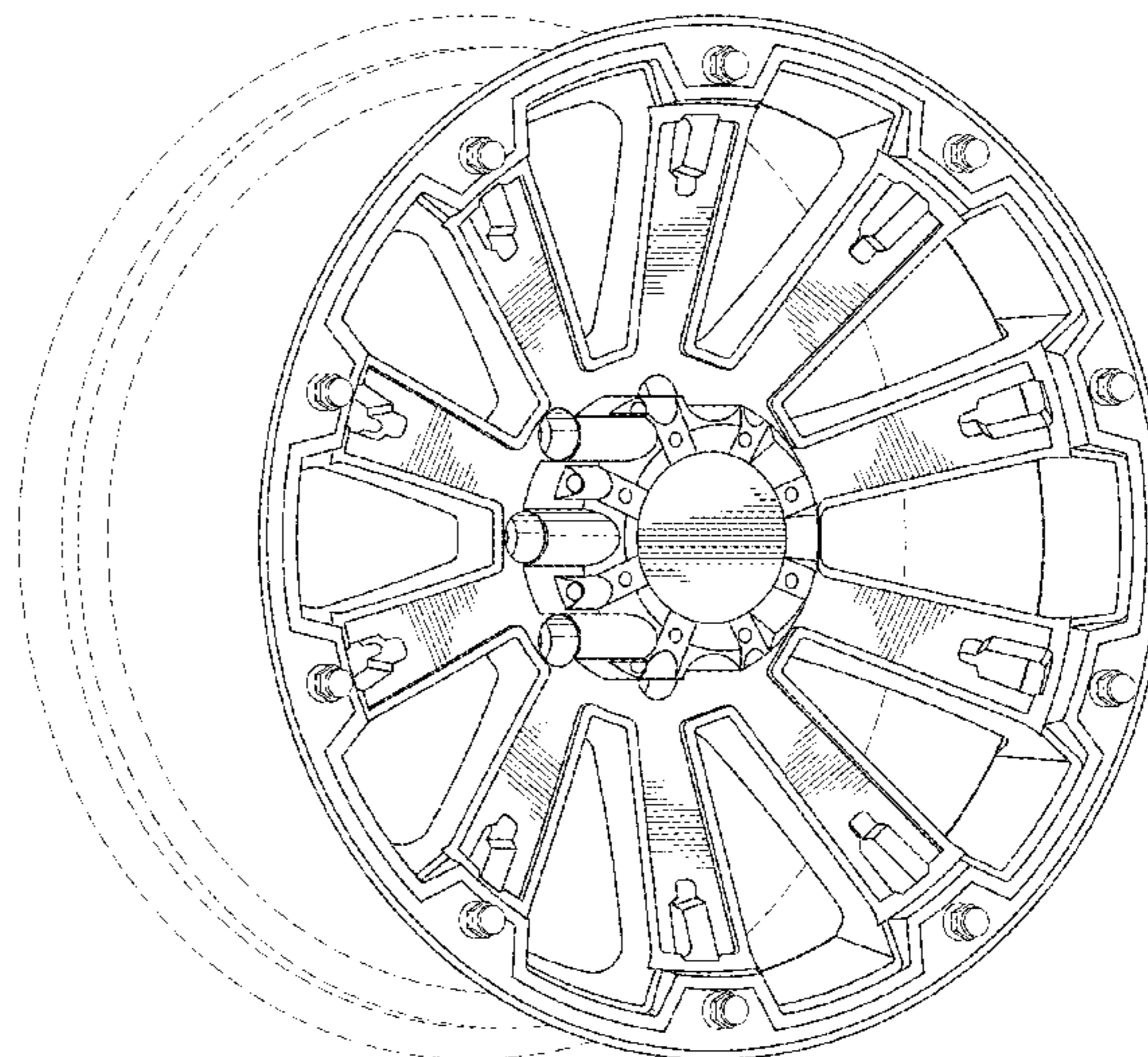
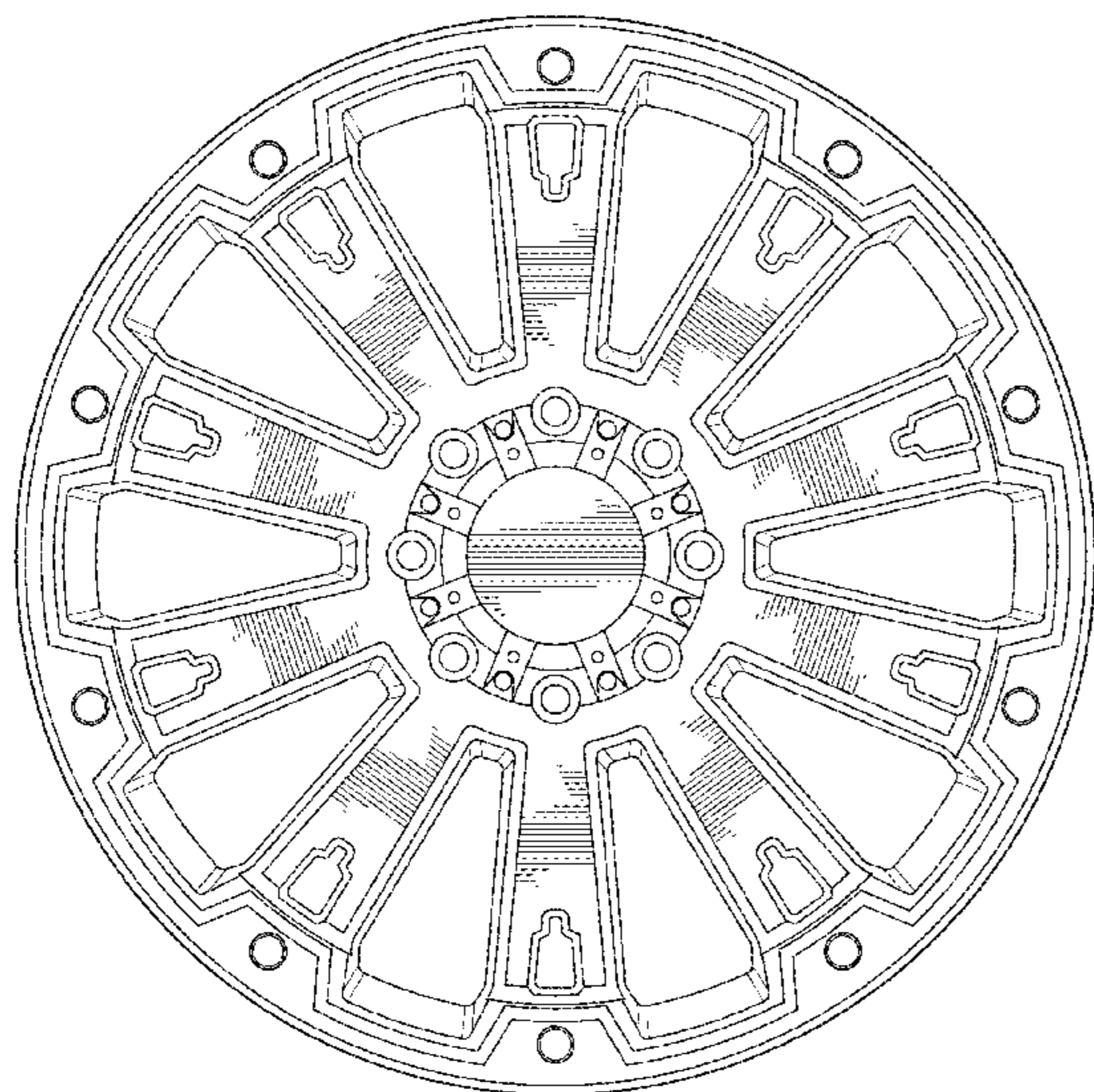
(57) **CLAIM**

The ornamental design for an automobile wheel, as shown and described.

DESCRIPTION

FIG. 1 is a front elevational view of an automobile wheel, showing my new design; and, FIG. 2 is perspective view thereof. The broken line showing of the rear of the rim is included for the purpose of illustrating environment and forms no part of the claimed design.

1 Claim, 2 Drawing Sheets



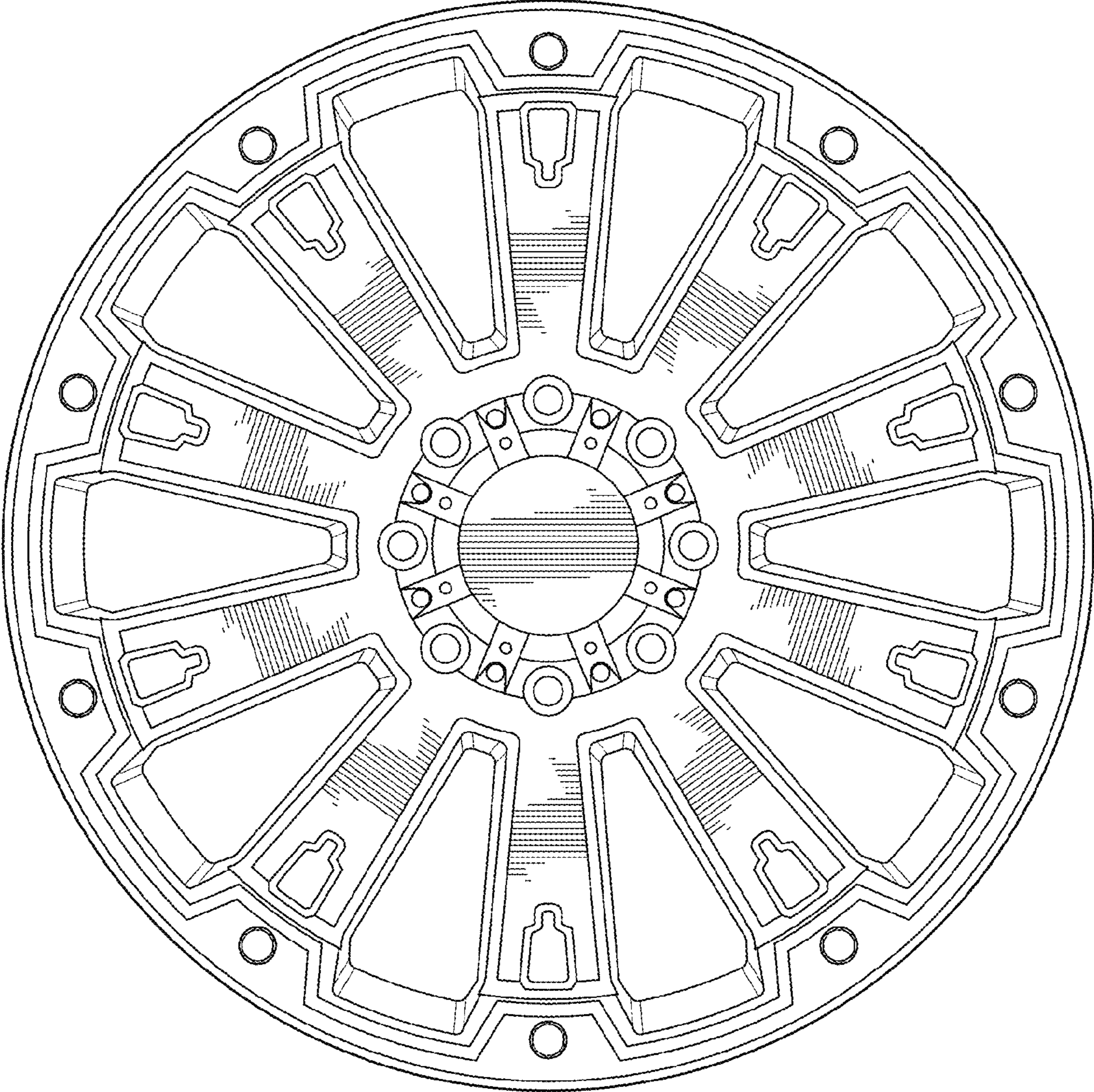


FIG. 1

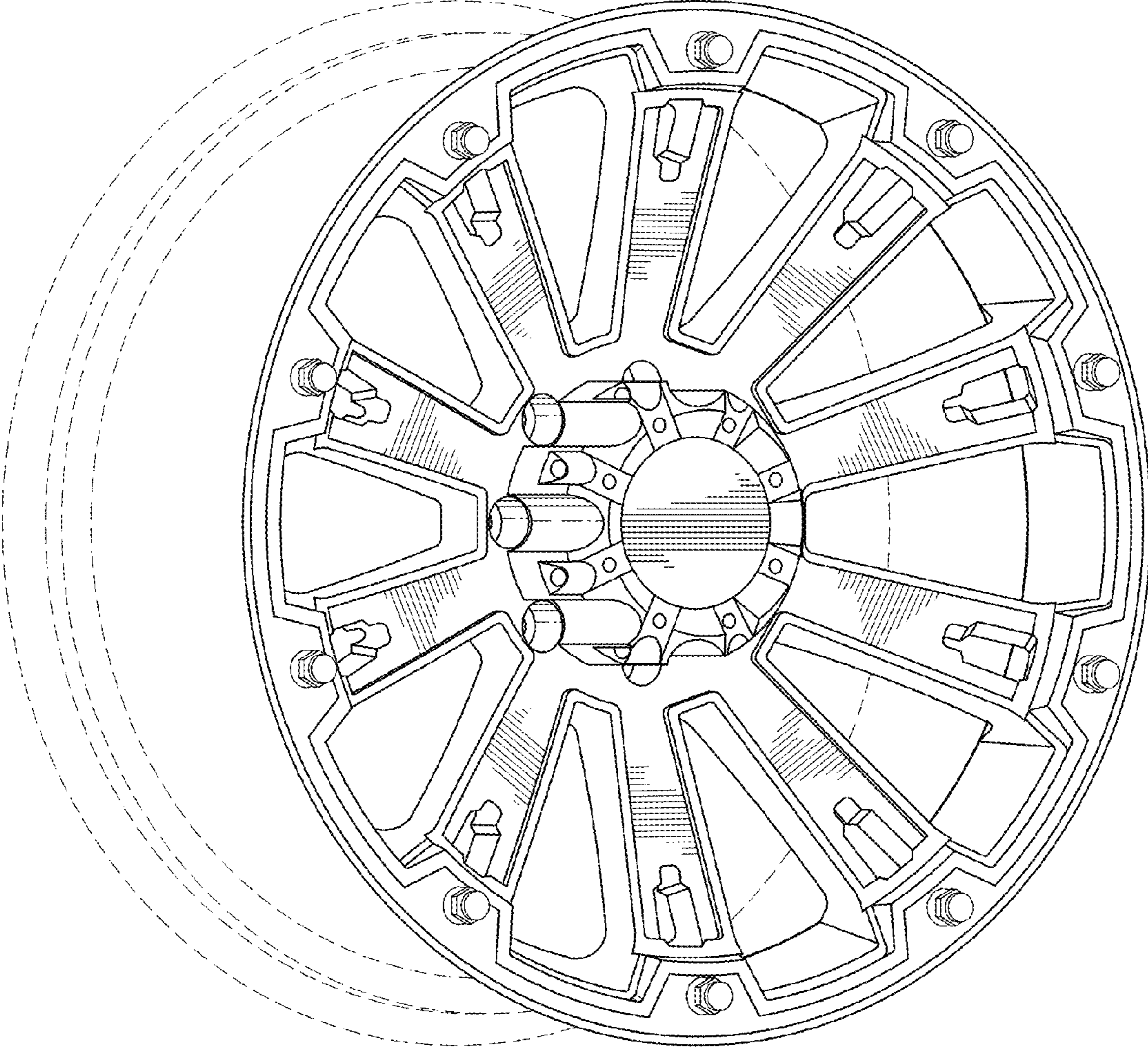


FIG. 2