



US00D684100S

(12) **United States Design Patent**
Chan

(10) **Patent No.:** **US D684,100 S**
(45) **Date of Patent:** **** Jun. 11, 2013**

(54) **VEHICLE WHEEL**

(71) Applicant: **MCW Limited**, Kowloon (HK)

(72) Inventor: **Albert Tam-San Chan**, Kowloon (HK)

(73) Assignee: **MCW Limited**, Hong Kong (HK)

(**) Term: **14 Years**

(21) Appl. No.: **29/440,796**

(22) Filed: **Dec. 27, 2012**

(30) **Foreign Application Priority Data**

Jun. 27, 2012 (CN) 2012 3 0278017

(51) **LOC (9) Cl.** **12-16**

(52) **U.S. Cl.**
USPC **D12/209**

(58) **Field of Classification Search**
USPC D12/204-213; 301/37.101, 64.101,
301/65, 64.201

See application file for complete search history.

(56) **References Cited**

U.S. PATENT DOCUMENTS

D547,709 S *	7/2007	James	D12/209
D550,138 S *	9/2007	Walbey, Jr.	D12/209
D618,154 S *	6/2010	Zhao	D12/209
D618,606 S *	6/2010	Zhao	D12/209

D620,867 S *	8/2010	Zhao	D12/209
D622,651 S *	8/2010	Zhao	D12/209
D642,106 S *	7/2011	Antoniadis et al.	D12/209
D659,625 S *	5/2012	Chan	D12/209
D660,764 S *	5/2012	Chan	D12/209
D661,238 S *	6/2012	Chan	D12/209

* cited by examiner

Primary Examiner — Stacia Cadmus

(74) *Attorney, Agent, or Firm* — Howard Miskin; Gloria Tsui-Yip

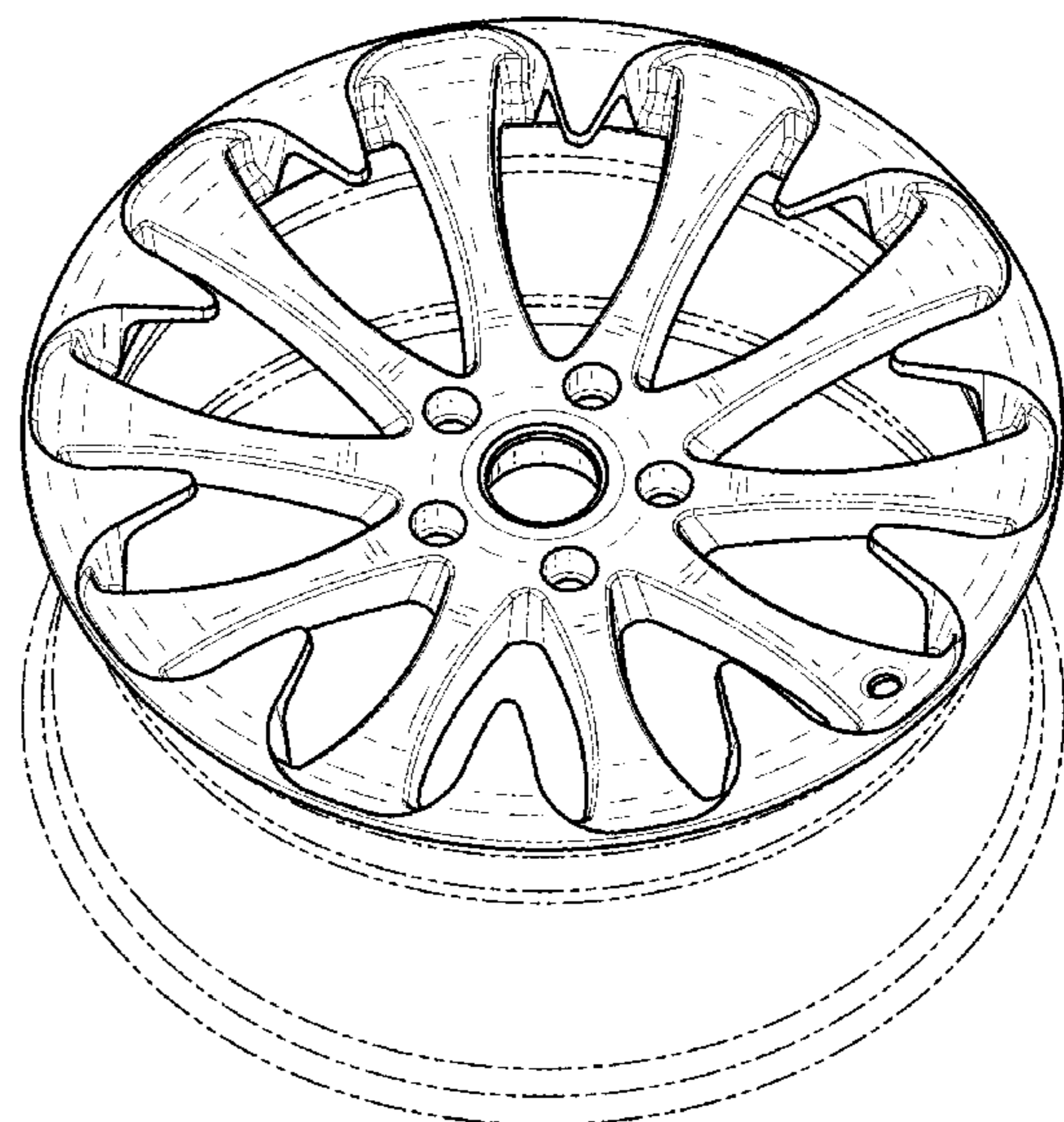
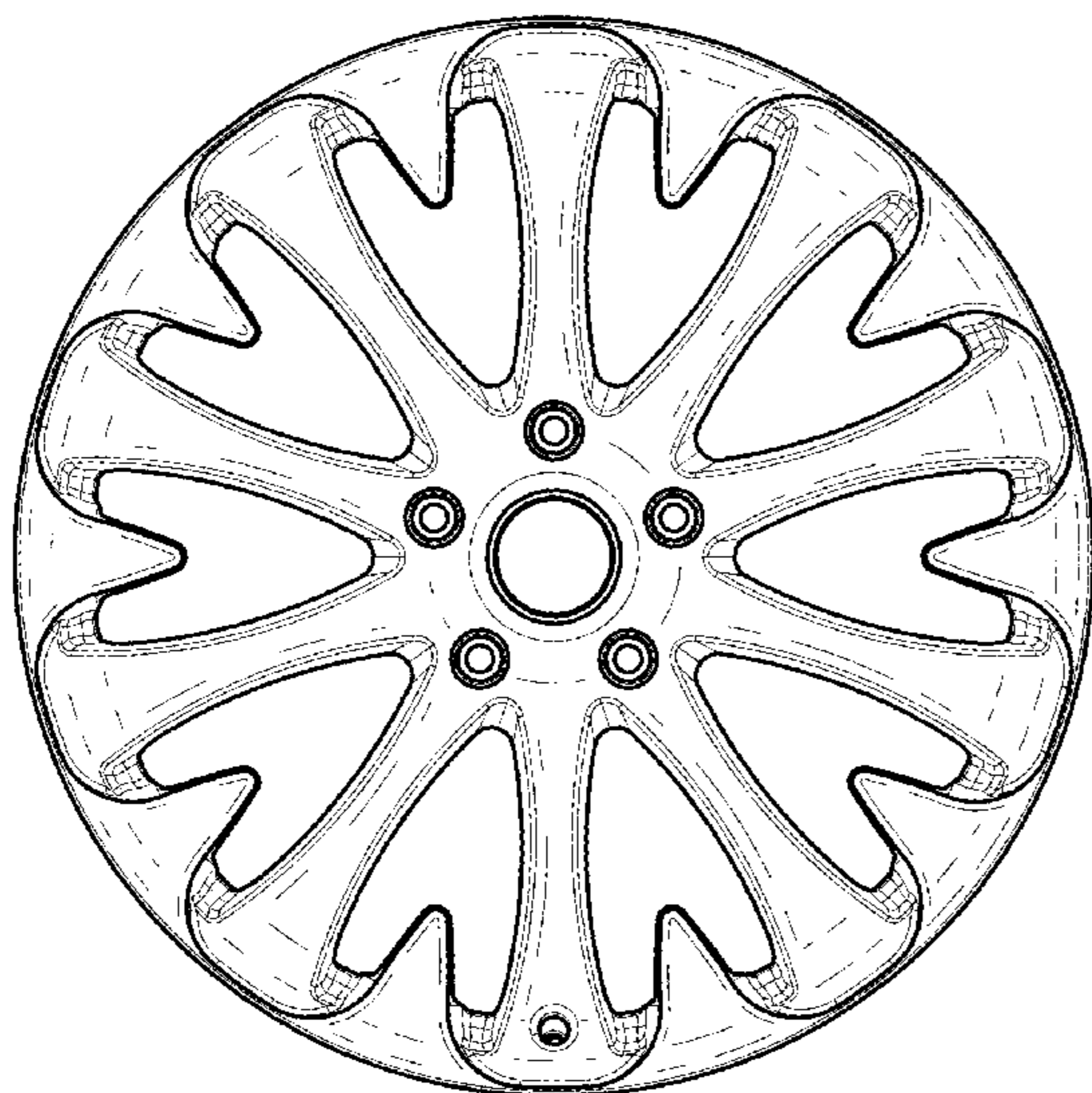
(57) **CLAIM**

The ornamental design for a vehicle wheel, as shown and described.

DESCRIPTION

FIG. 1 is a top view of the vehicle wheel showing my new design;
FIG. 2 is a front view thereof;
FIG. 3 is a rear view thereof;
FIG. 4 is a bottom view thereof;
FIG. 5 is a side view thereof;
FIG. 6 is an opposite side view thereof;
FIG. 7 is a perspective view thereof; and,
FIG. 8 is an alternative perspective view thereof from the rear.
The broken lines showing in FIGS. 1, 3-8 illustrate environmental matter which forms no part of the claimed design.

1 Claim, 5 Drawing Sheets



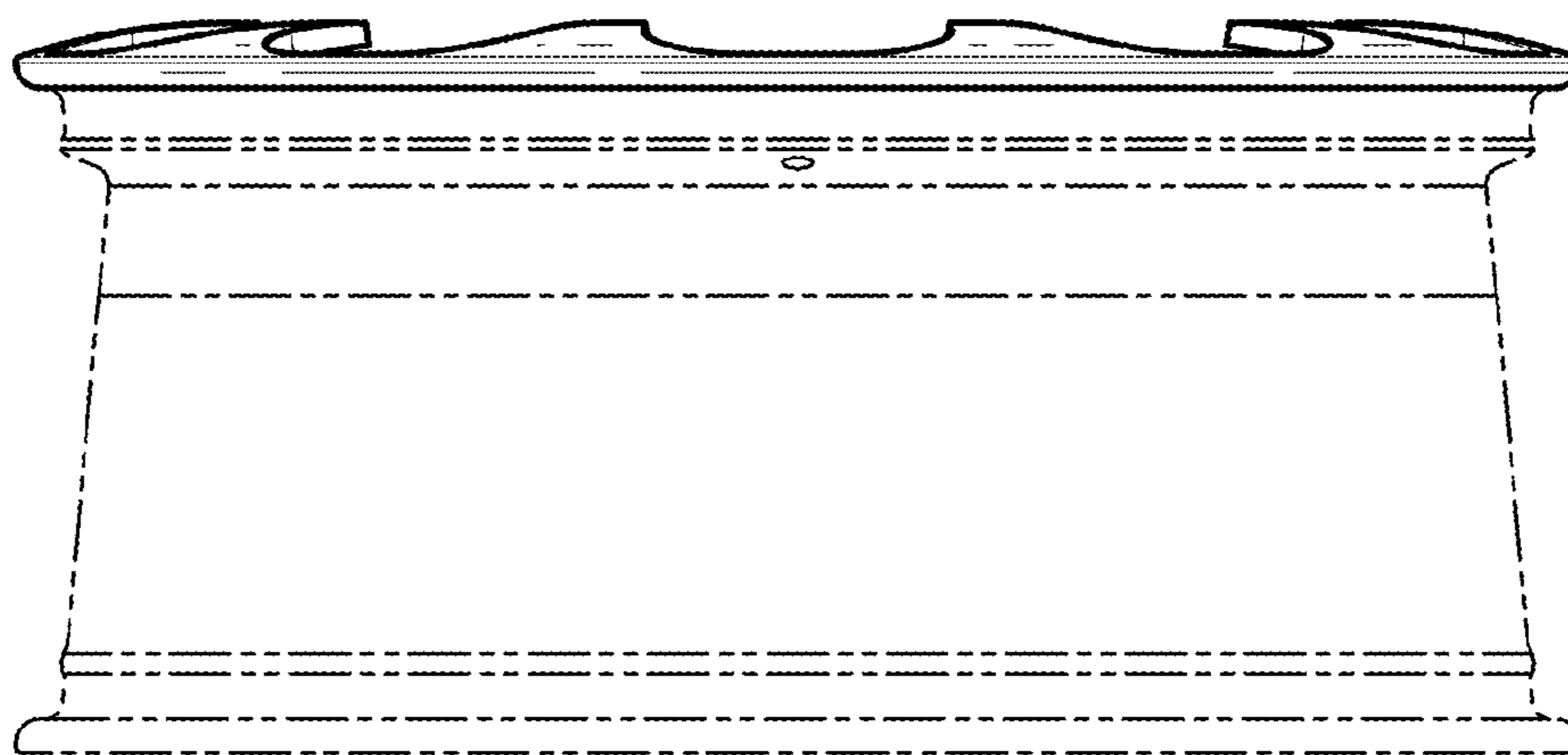


Fig.1

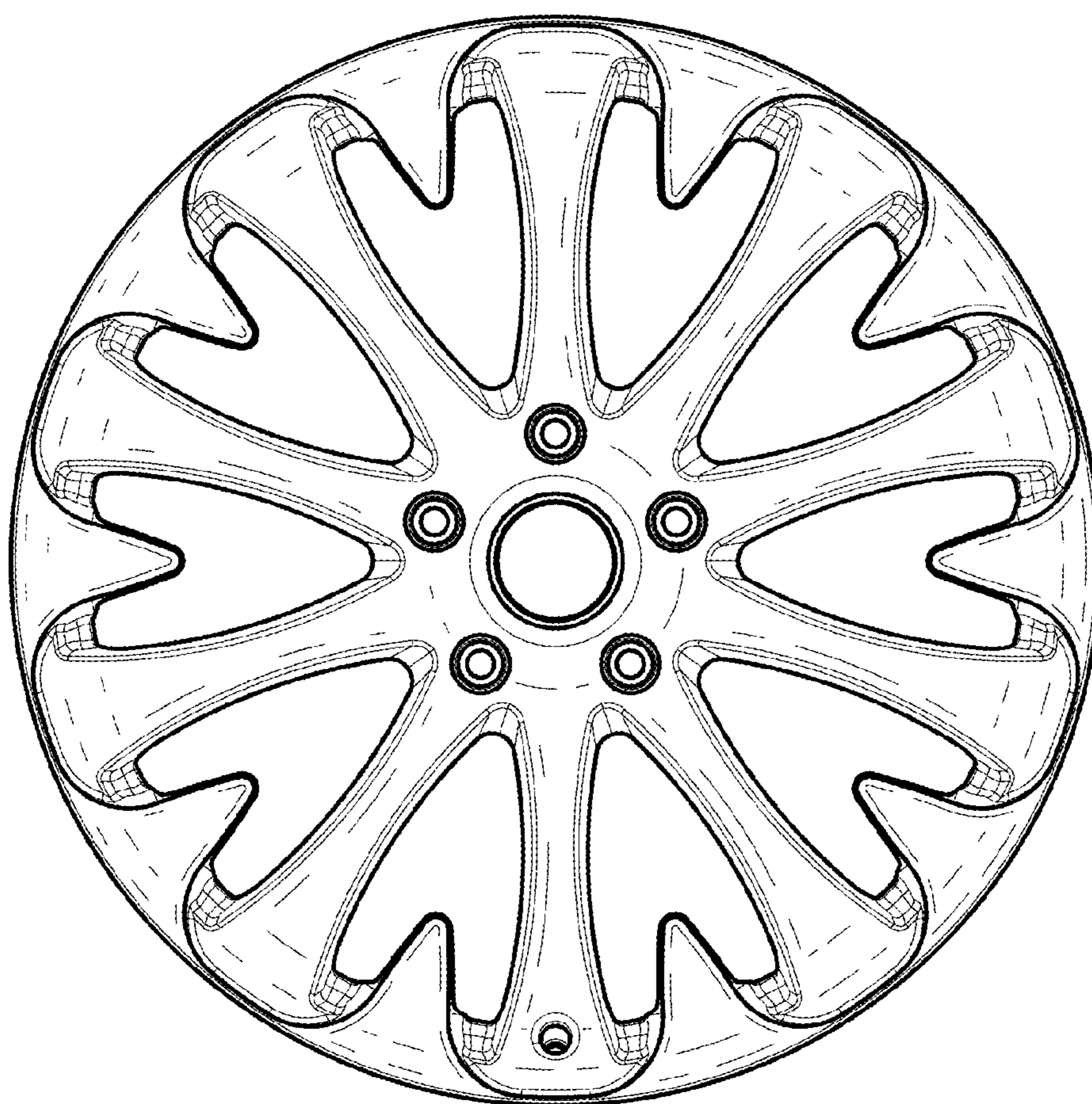


Fig.2

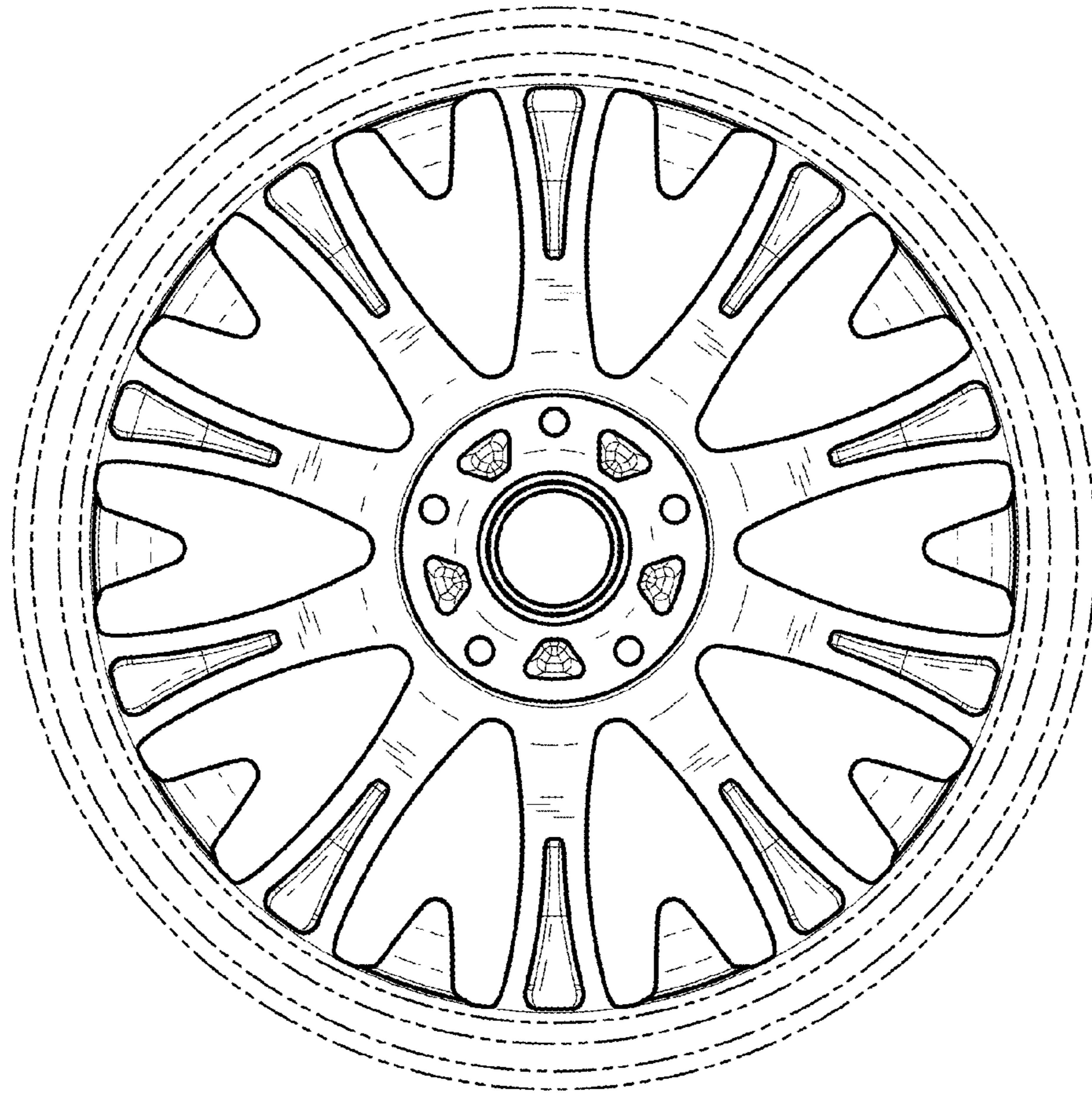


Fig.3

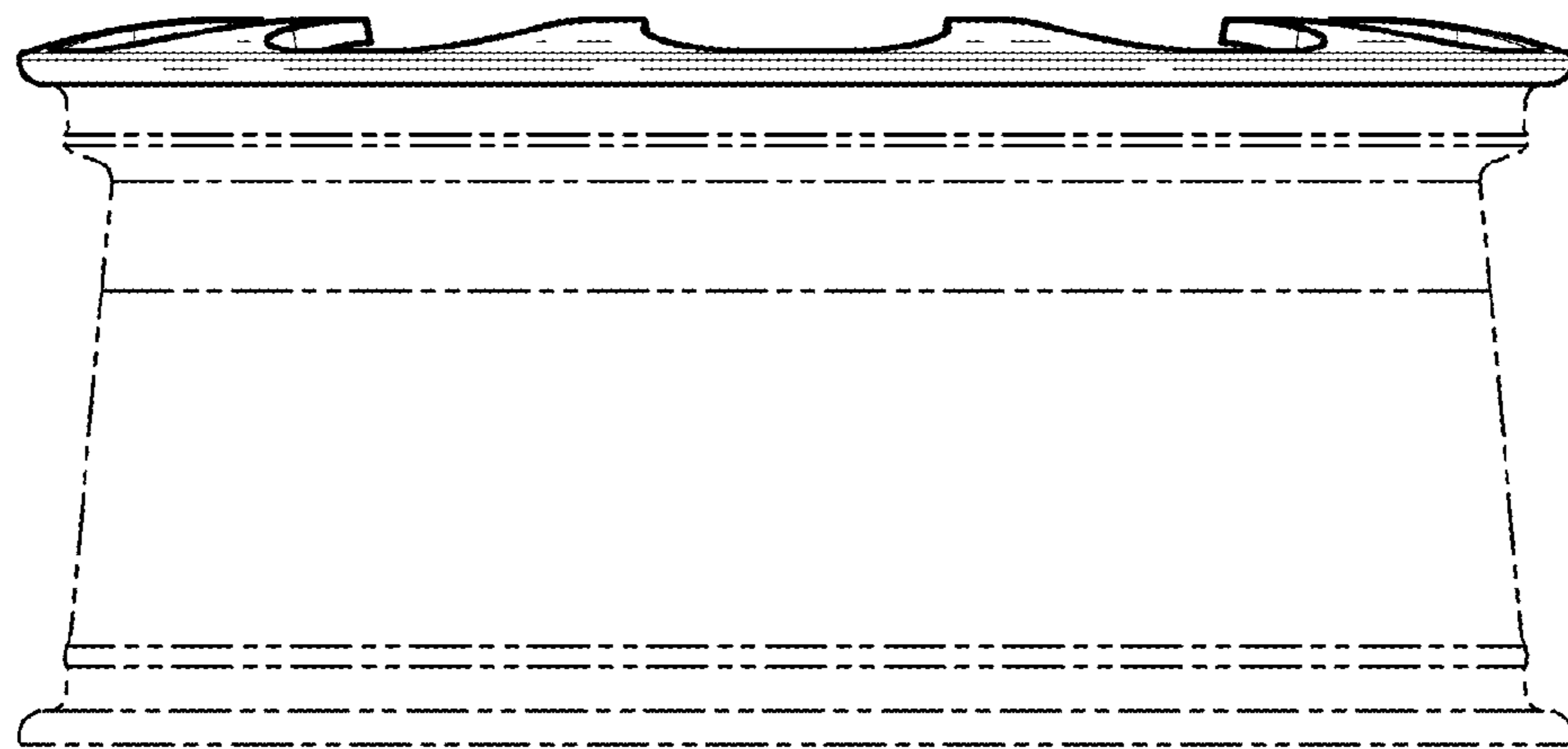


Fig.4

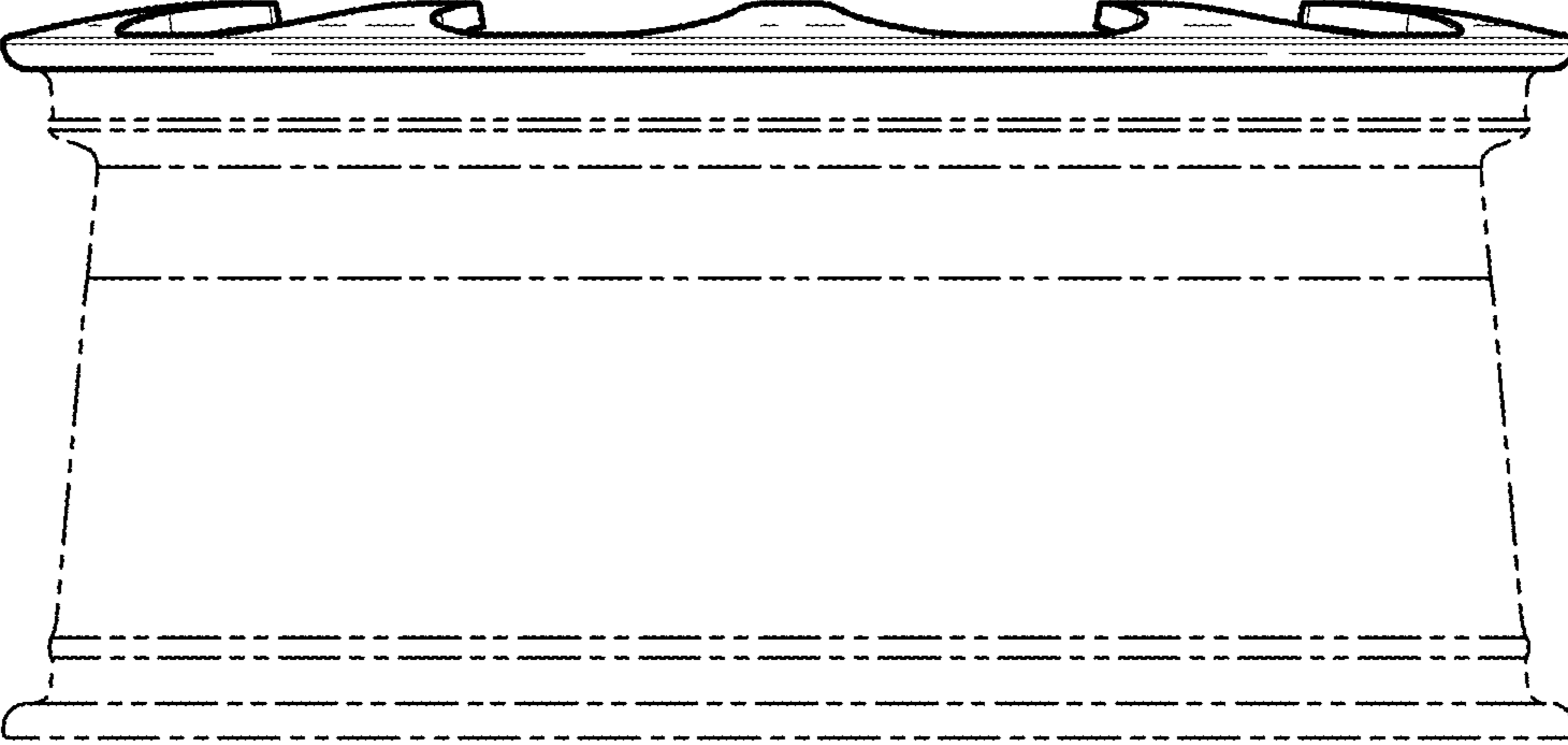


Fig.5

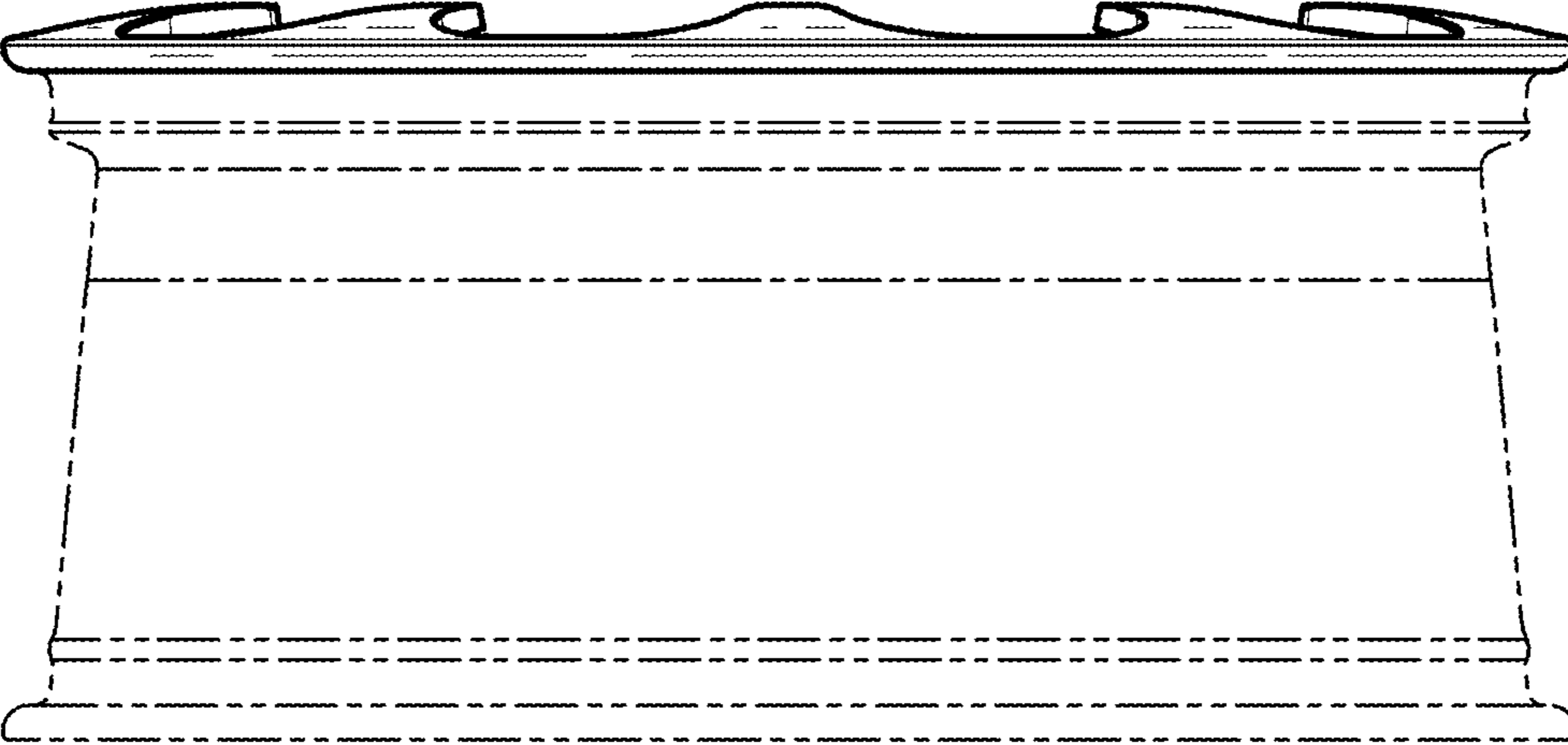


Fig.6

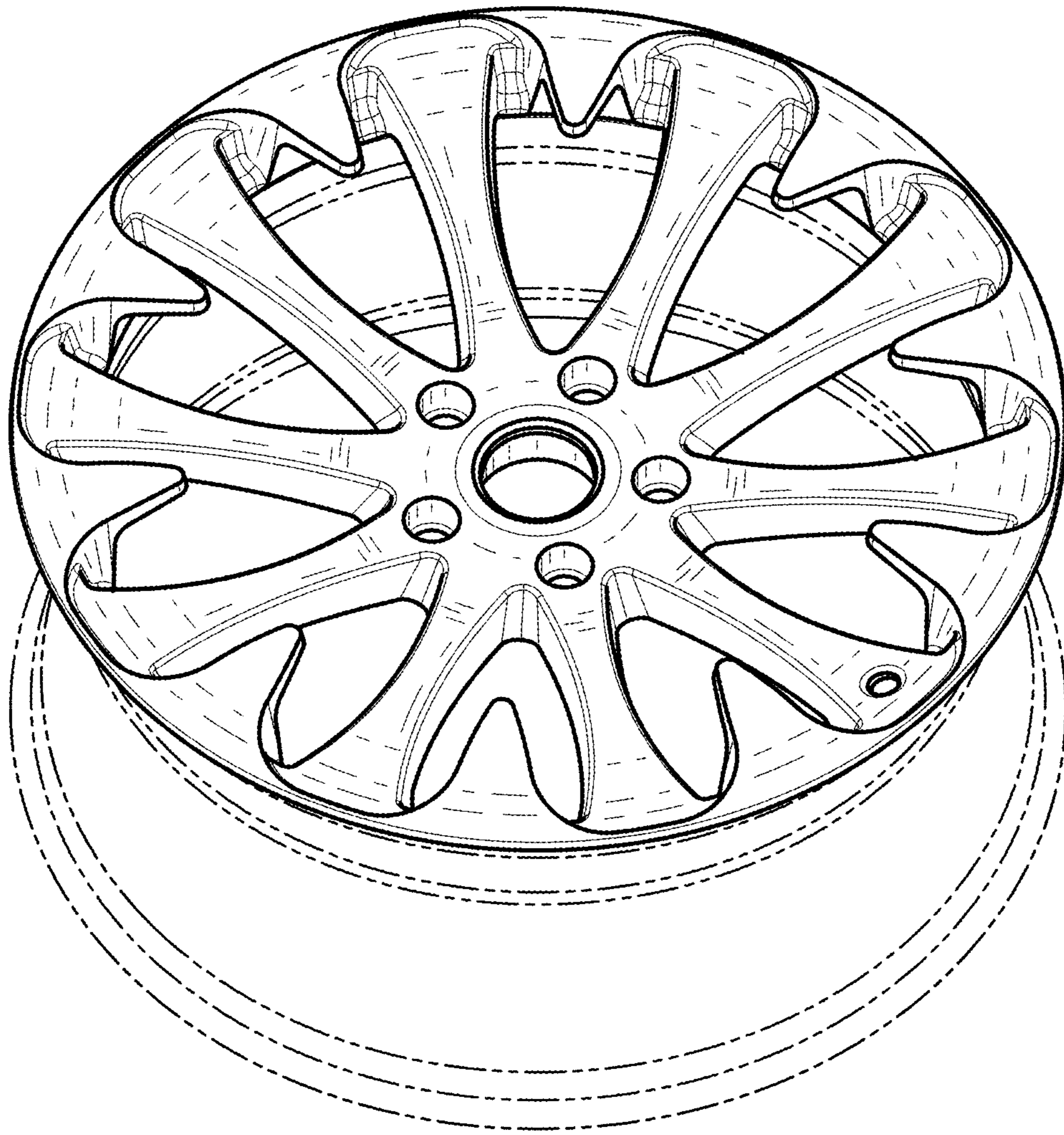


Fig.7

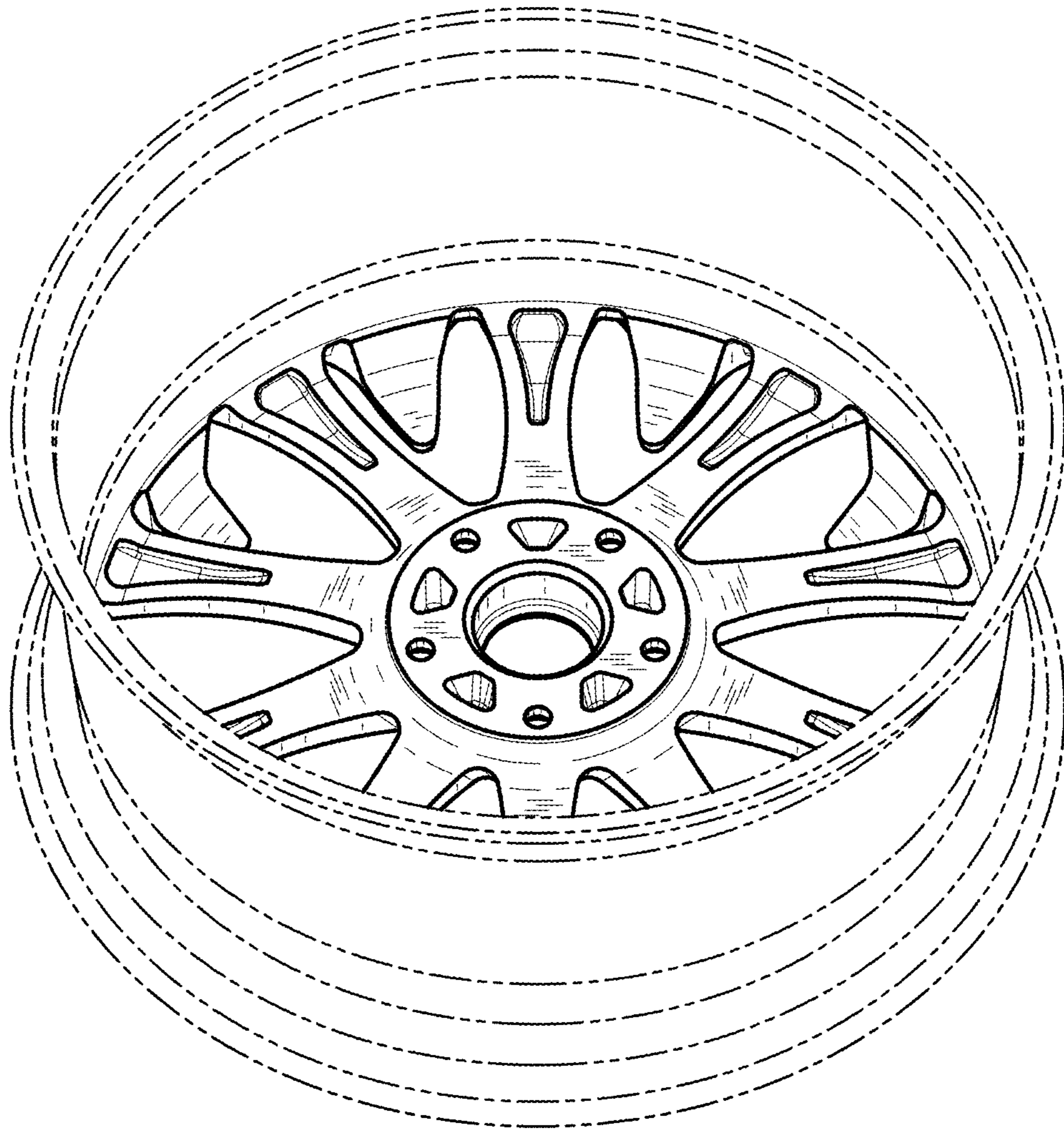


Fig.8