



US00D684099S

(12) **United States Design Patent**  
**McCabe et al.**

(10) **Patent No.:** **US D684,099 S**  
(45) **Date of Patent:** **\*\* Jun. 11, 2013**

(54) **VEHICLE FRONT BUMPER**

(75) Inventors: **Steven M. McCabe**, Harper Woods, MI (US); **Jeasoo Kim**, Troy, MI (US); **Samuel Zhao**, Sterling Heights, MI (US)

(73) Assignee: **GM Global Technology Operations LLC**, Detroit, MI (US)

(\*\*) Term: **14 Years**

(21) Appl. No.: **29/413,264**

(22) Filed: **Feb. 14, 2012**

(51) **LOC (9) Cl.** ..... **12-16**

(52) **U.S. Cl.**  
USPC ..... **D12/169**

(58) **Field of Classification Search**  
USPC ..... D12/169, 196, 171, 216, 163, 86,  
D12/90-92; 293/102, 113, 115, 117, 120;  
296/180.1, 180.2

See application file for complete search history.

(56) **References Cited**

U.S. PATENT DOCUMENTS

D636,303	S	*	4/2011	Frei et al.	.....	D12/169
D659,607	S	*	5/2012	Robinson	.....	D12/169
D664,901	S	*	8/2012	Futschik et al.	.....	D12/169
D668,190	S	*	10/2012	Koman et al.	.....	D12/169

\* cited by examiner

*Primary Examiner* — Melody Brown

(74) *Attorney, Agent, or Firm* — Parks IP Law LLC; Mickki D. Murray

(57) **CLAIM**

The ornamental design for a vehicle front bumper, as shown and described.

**DESCRIPTION**

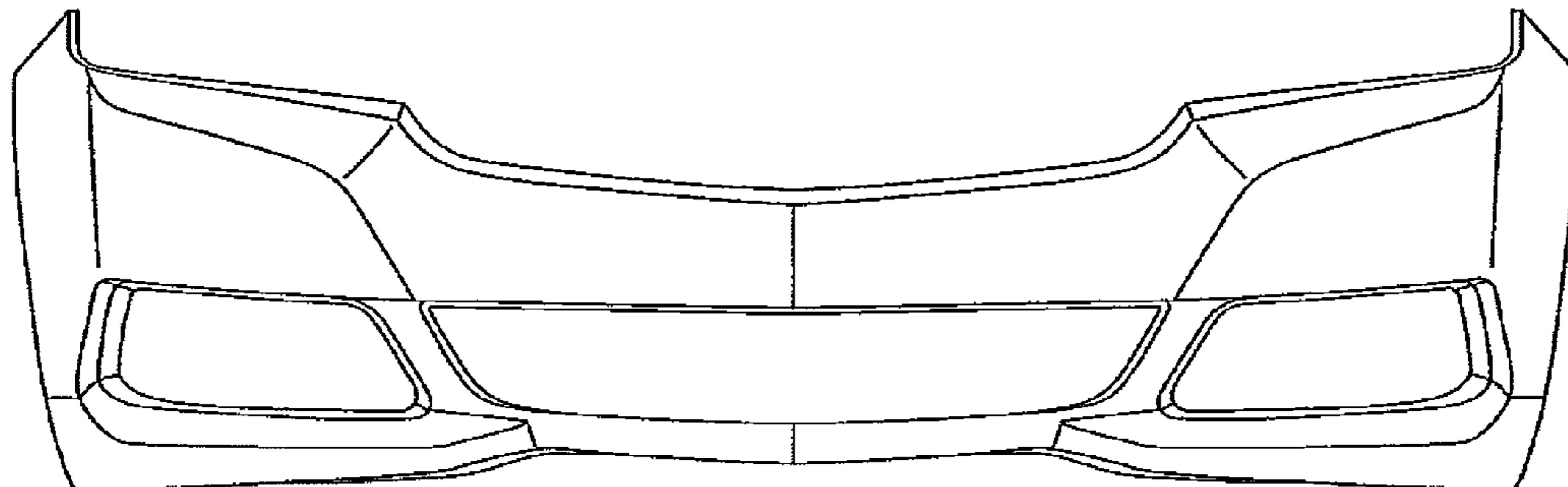
FIG. 1 is a perspective view of a front fascia showing the new design;

FIG. 2 is a front view, thereof;

FIG. 3 is a side view, thereof; and,

FIG. 4 is a top plan view, thereof.

**1 Claim, 1 Drawing Sheet**



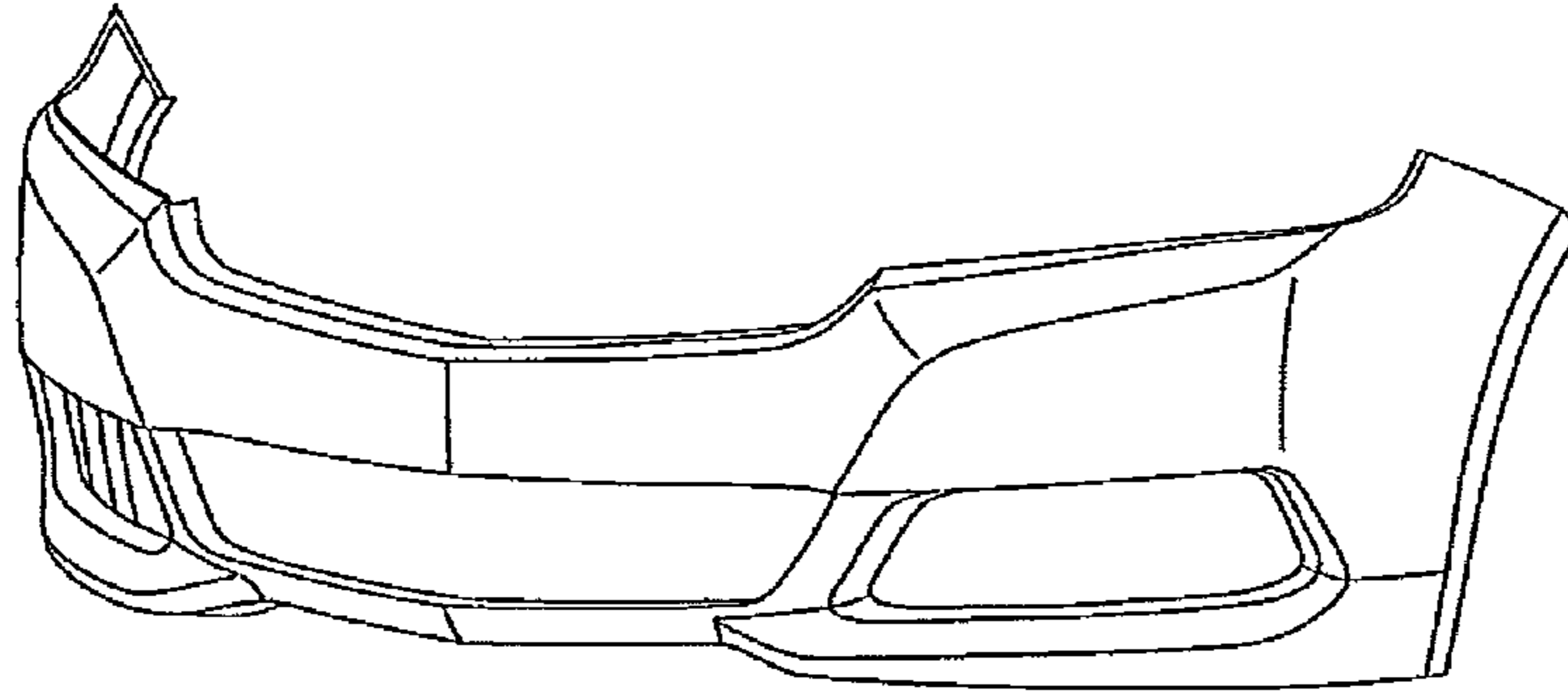


Fig-1

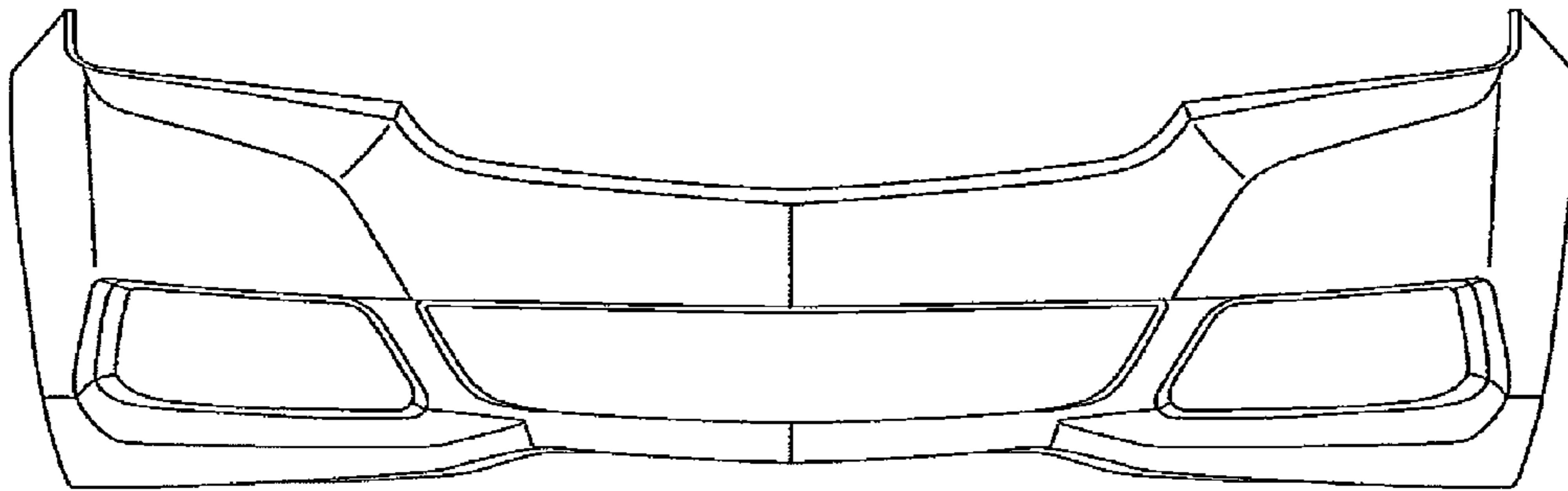


Fig-2

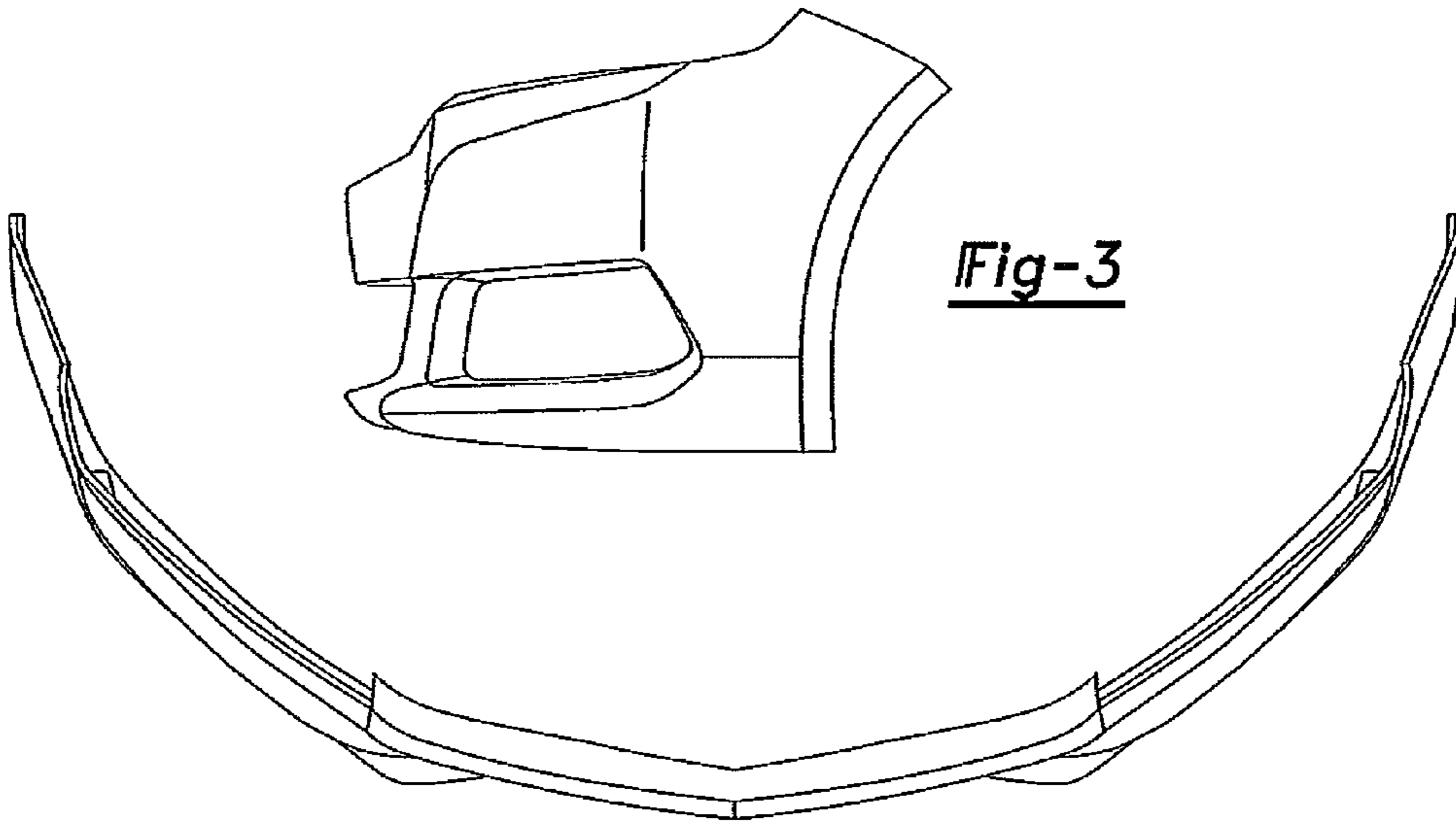


Fig-3

Fig-4