



US00D684094S

(12) **United States Design Patent**  
**Le Grice et al.**

(10) **Patent No.:** **US D684,094 S**  
(45) **Date of Patent:** **\*\* Jun. 11, 2013**

(54) **MOTOR VEHICLE**

(75) Inventors: **Oliver Le Grice**, Coventry (GB); **Gerry McGovern**, Coventry (GB); **Richard Woolley**, Coventry (GB)

(73) Assignee: **Land Rover** (GB)

(\*\*) Term: **14 Years**

(21) Appl. No.: **29/415,109**

(22) Filed: **Mar. 7, 2012**

(30) **Foreign Application Priority Data**

Sep. 7, 2011 (EM) ..... 001913757-0001

(51) **LOC (9) Cl.** ..... **12-08**

(52) **U.S. Cl.**  
USPC ..... **D12/91**

(58) **Field of Classification Search**  
USPC ..... D12/86, 90, 91, 92, 164, 196; D21/424,  
D21/433, 434; 296/181.1, 181.5  
See application file for complete search history.

(56) **References Cited**

**U.S. PATENT DOCUMENTS**

D374,415 S \* 10/1996 Thomson ..... D12/91  
D458,188 S \* 6/2002 Wyszogrod et al. .... D12/90  
D458,189 S \* 6/2002 Wyatt ..... D12/91  
D466,444 S \* 12/2002 Meadows ..... D12/91

D490,020 S \* 5/2004 Kim ..... D12/91  
D505,095 S \* 5/2005 Frye ..... D12/91  
D515,973 S \* 2/2006 Paris-Gonzalez ..... D12/91  
D519,881 S \* 5/2006 Masuda et al. .... D12/91  
D531,087 S \* 10/2006 Newton ..... D12/91  
D536,651 S \* 2/2007 Polka ..... D12/203  
8,174,146 B2 \* 5/2012 Cheal et al. .... 307/9.1

\* cited by examiner

*Primary Examiner* — Philip S Hyder

*Assistant Examiner* — Darlington Ly

(74) *Attorney, Agent, or Firm* — Rader, Fishman & Grauer PLLC

(57) **CLAIM**

The ornamental design for a motor vehicle, as shown and described.

**DESCRIPTION**

FIG. 1 is a front perspective view of a motor vehicle;  
FIG. 2 is a rear perspective view of a motor vehicle;  
FIG. 3 is a left side view of a motor vehicle;  
FIG. 4 is a right side view of a motor vehicle;  
FIG. 5 is a front view of a motor vehicle;  
FIG. 6 is a rear view of a motor vehicle; and,  
FIG. 7 is a top view of a motor vehicle.

The broken lines shown in the drawings illustrate portions of the motor vehicle that forms no part of claimed design.

**1 Claim, 6 Drawing Sheets**





FIG. 1



FIG. 2



FIG. 3

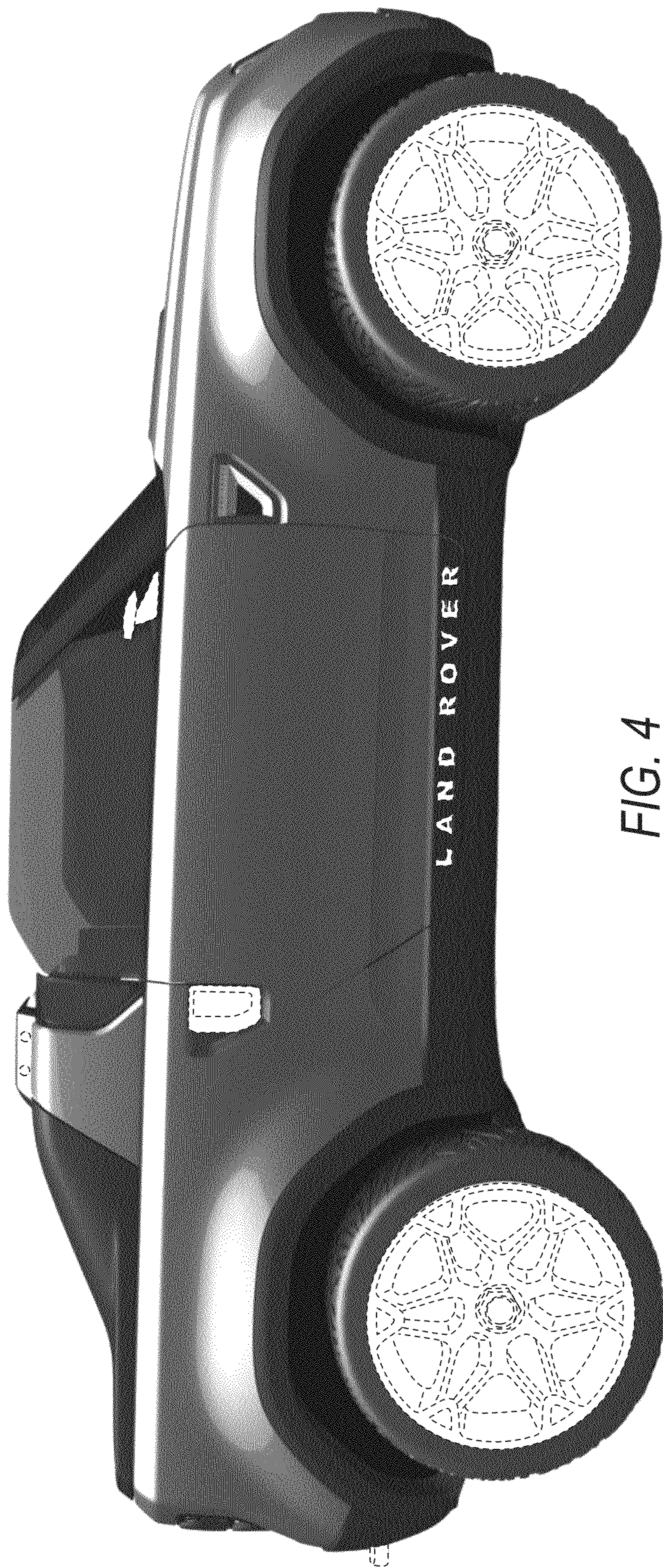


FIG. 4

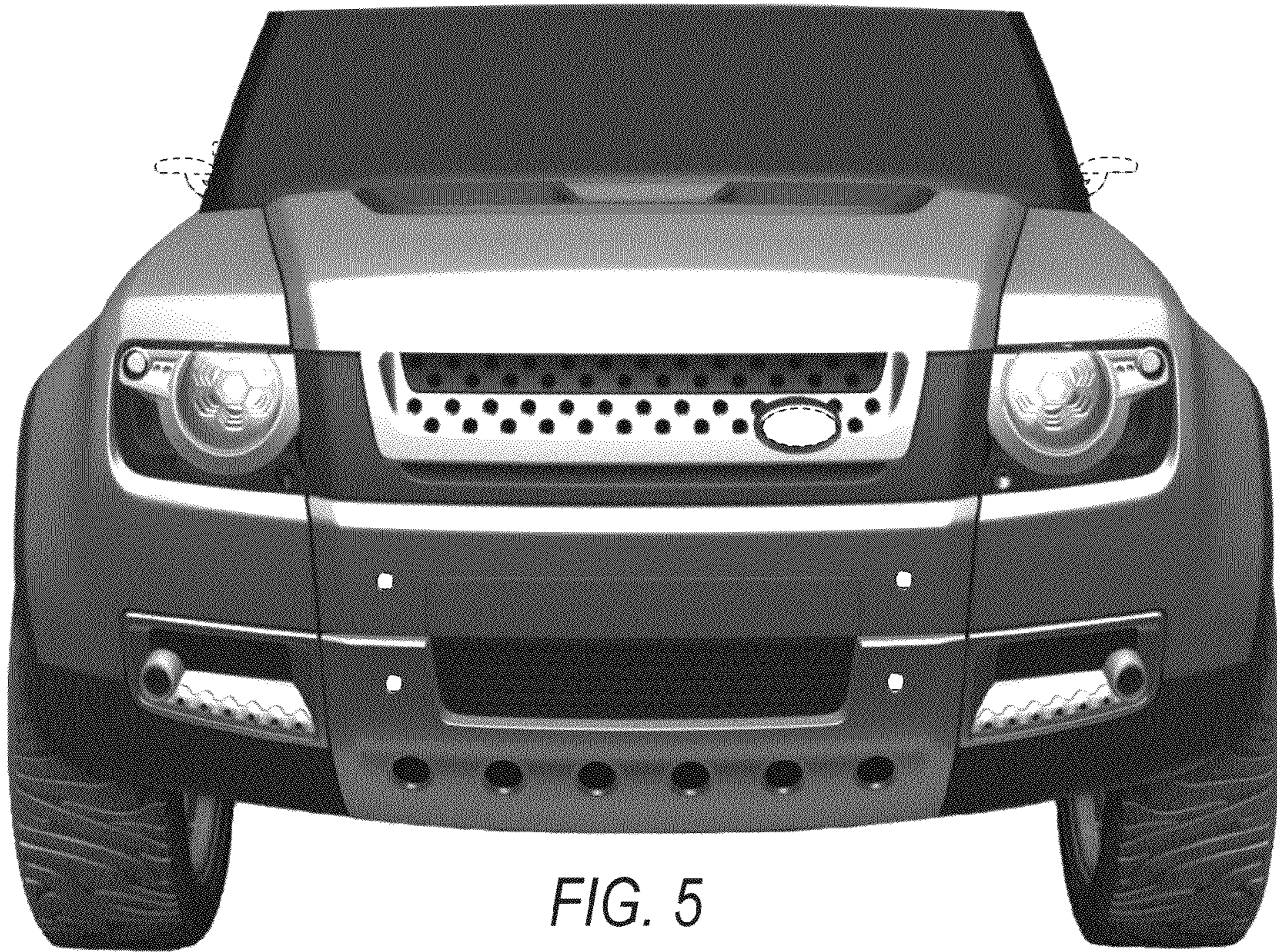


FIG. 5

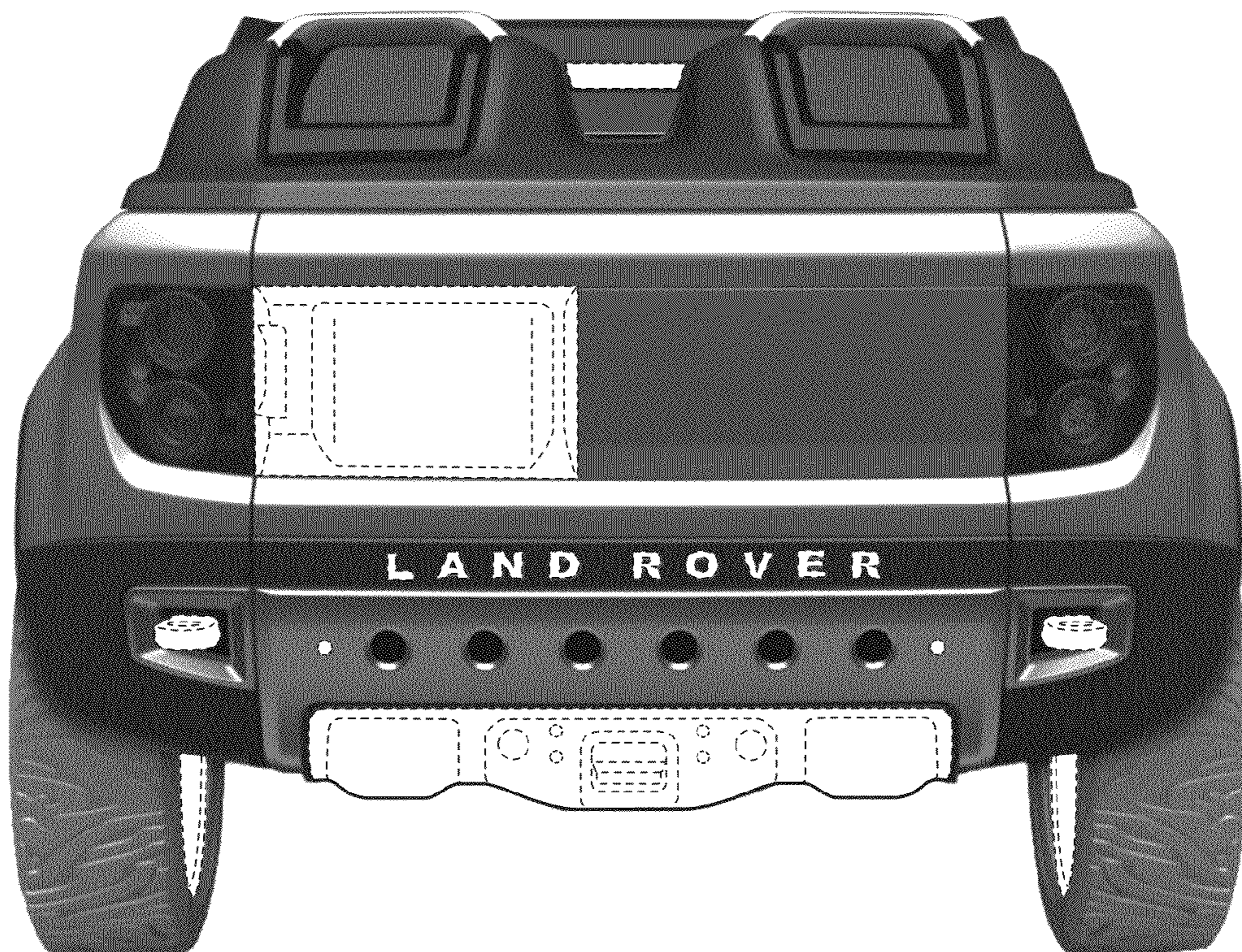


FIG. 6

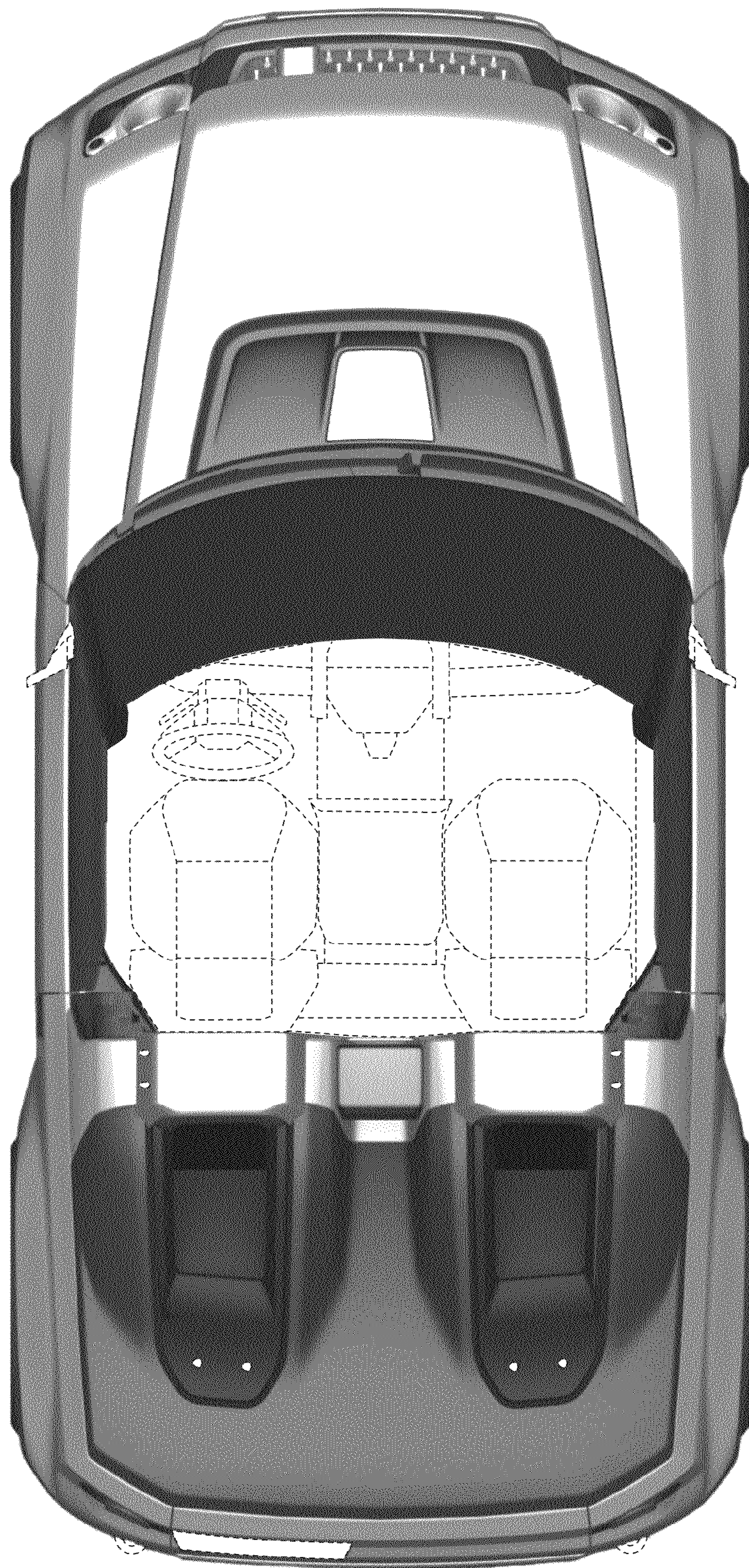


FIG. 7