

US00D684093S

(12) **United States Design Patent**
Woolley et al.

(10) **Patent No.:** **US D684,093 S**
(45) **Date of Patent:** **** Jun. 11, 2013**

(54) **VEHICLE**

(75) Inventors: **Richard Woolley**, Coventry (GB);
Oliver Le Grice, Coventry (GB)

(73) Assignee: **Jaguar Land Rover** (GB)

(**) Term: **14 Years**

(21) Appl. No.: **29/414,449**

(22) Filed: **Feb. 28, 2012**

(30) **Foreign Application Priority Data**

Aug. 31, 2011 (EM) 001910522

(51) **LOC (9) Cl.** **12-08**

(52) **U.S. Cl.**
USPC **D12/91**

(58) **Field of Classification Search**
USPC D12/86, 90, 91, 92, 164, 196; D21/424,
D21/433, 434; 296/181.1, 181.5
See application file for complete search history.

(56) **References Cited**

U.S. PATENT DOCUMENTS

D350,504 S * 9/1994 Nixon D12/91
D374,415 S * 10/1996 Thomson D12/91
D458,188 S * 6/2002 Wyszogrod et al. D12/90
D458,189 S * 6/2002 Wyatt D12/91
D466,444 S * 12/2002 Meadows D12/91

D477,251 S * 7/2003 Yoshikata D12/91
D490,020 S * 5/2004 Kim D12/91
D505,095 S * 5/2005 Frye D12/91
D515,973 S * 2/2006 Paris-Gonzalez D12/91
D516,956 S * 3/2006 Bucci et al. D12/91
D519,881 S * 5/2006 Masuda et al. D12/91
D536,651 S * 2/2007 Polka D12/203
8,174,146 B2 * 5/2012 Cheal et al. 307/9.1

* cited by examiner

Primary Examiner — Philip S Hyder

Assistant Examiner — Darlington Ly

(74) *Attorney, Agent, or Firm* — Rader, Fishman & Grauer
PLLC

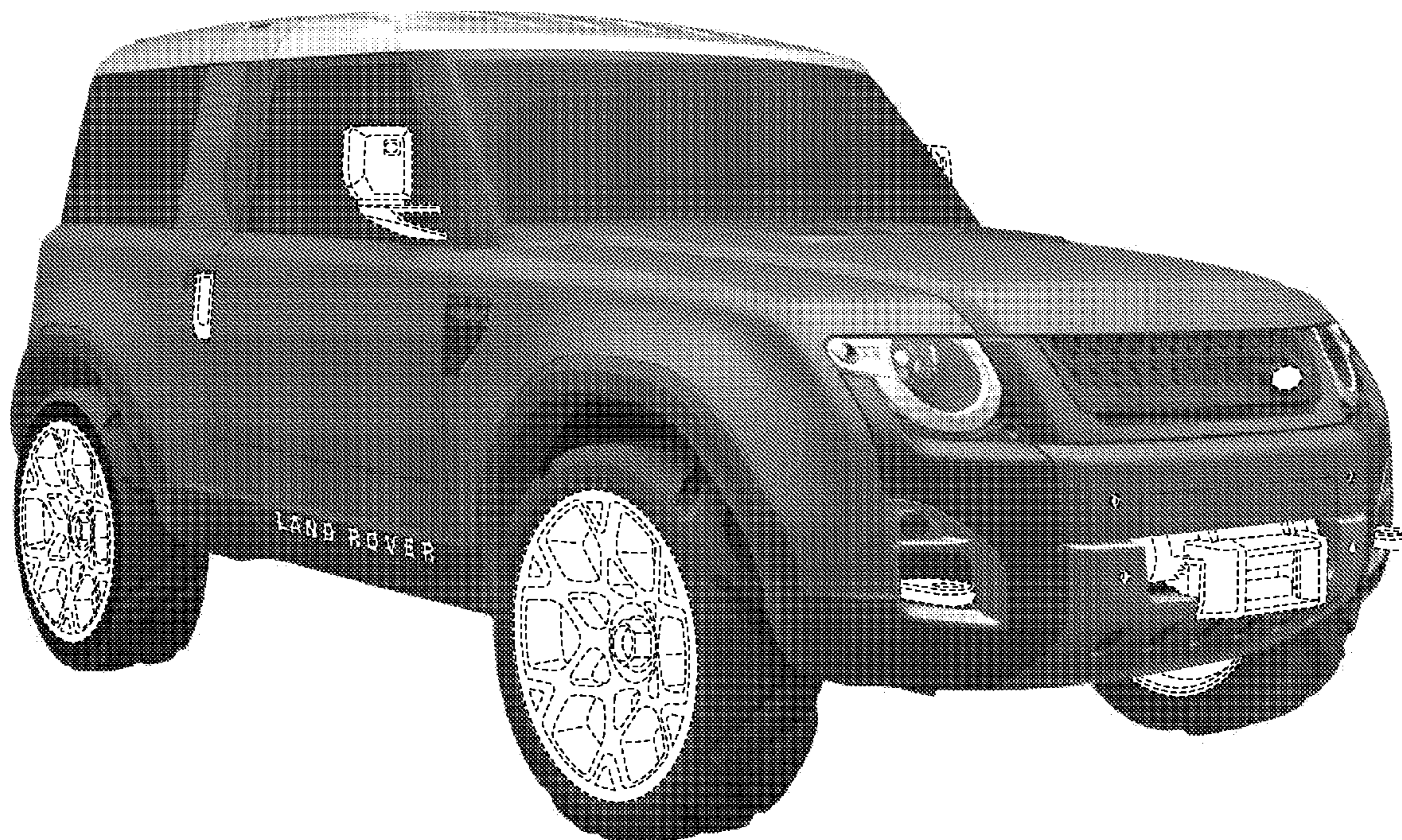
(57) **CLAIM**

The ornamental design for a vehicle, as shown and described.

DESCRIPTION

FIG. 1 is a front perspective view of a vehicle;
FIG. 2 is a back perspective view of a vehicle;
FIG. 3 is a left side view of a vehicle;
FIG. 4 is a right side view of a vehicle;
FIG. 5 is a front view of a vehicle;
FIG. 6 is a back view of a vehicle; and,
FIG. 7 is a top view of a vehicle.
The broken lines shown in the drawings illustrate portions of
the vehicle that form no part of claimed design.

1 Claim, 6 Drawing Sheets



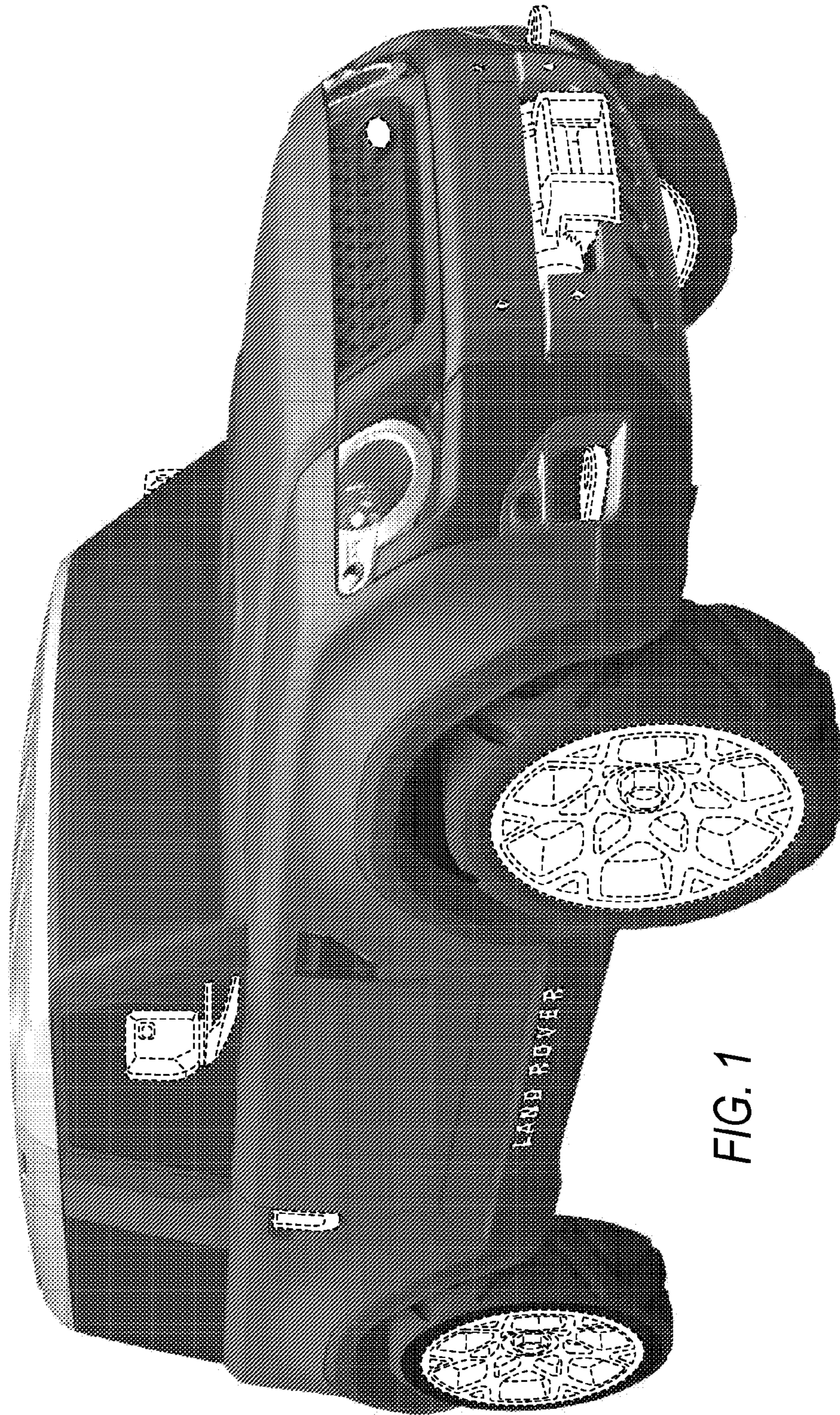
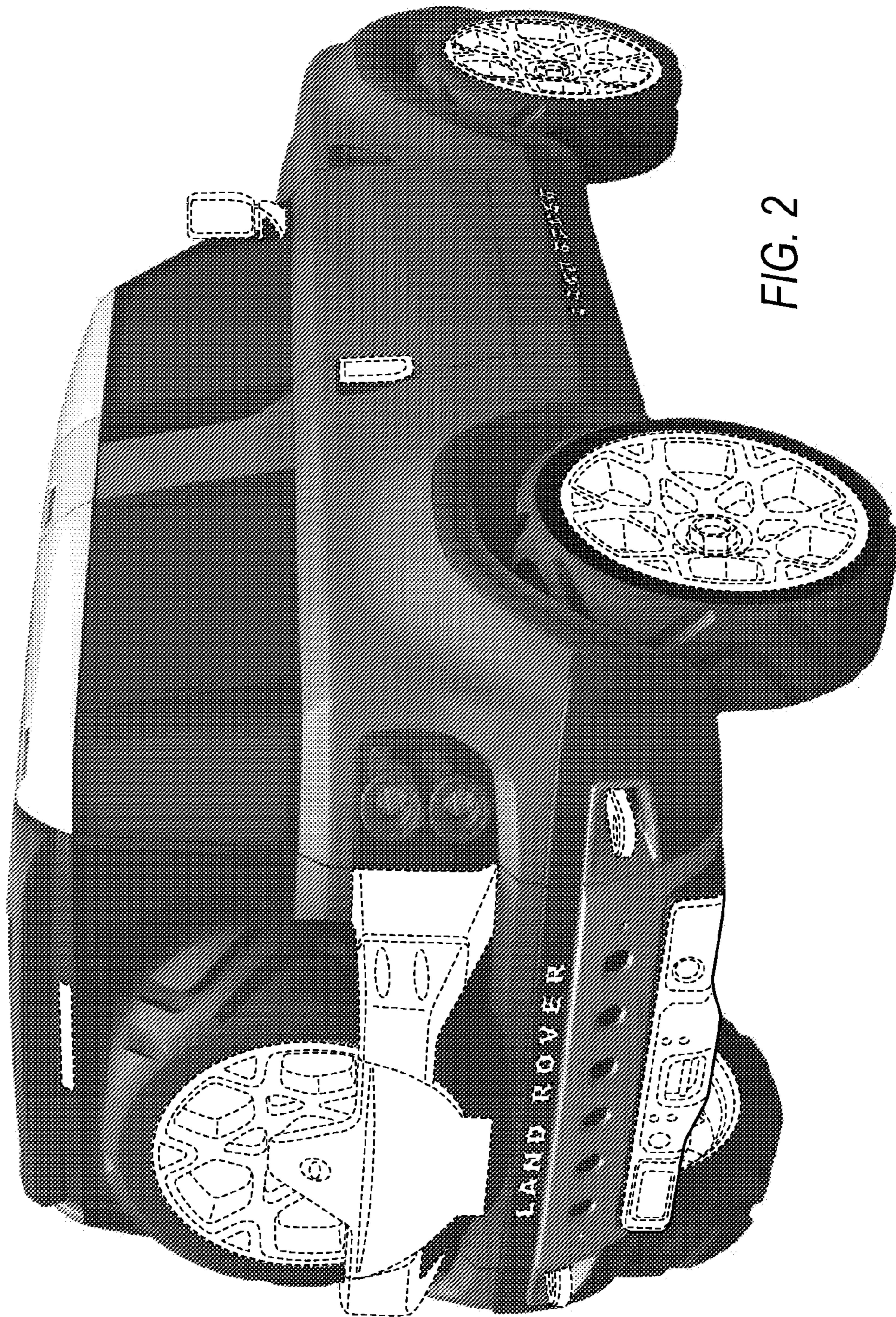


FIG. 1



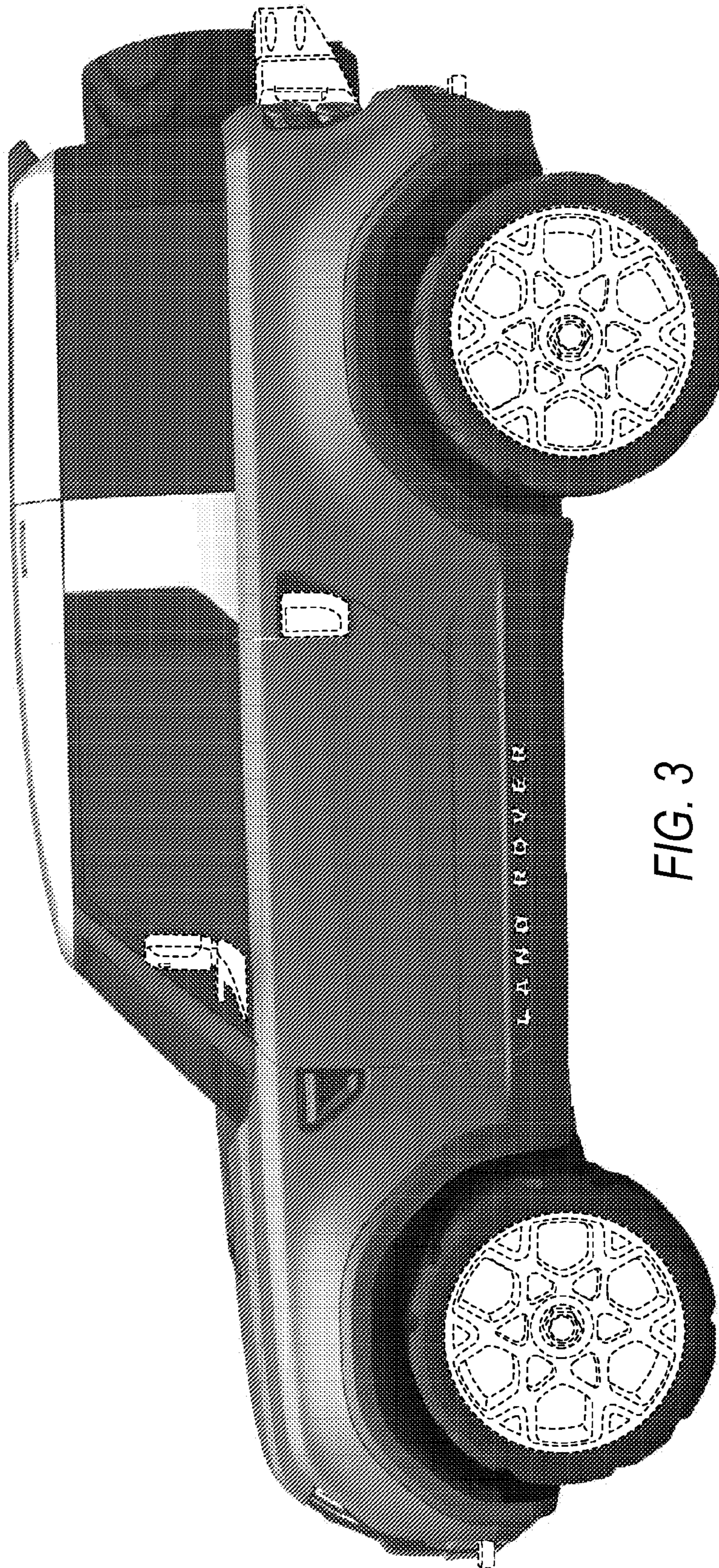


FIG. 3

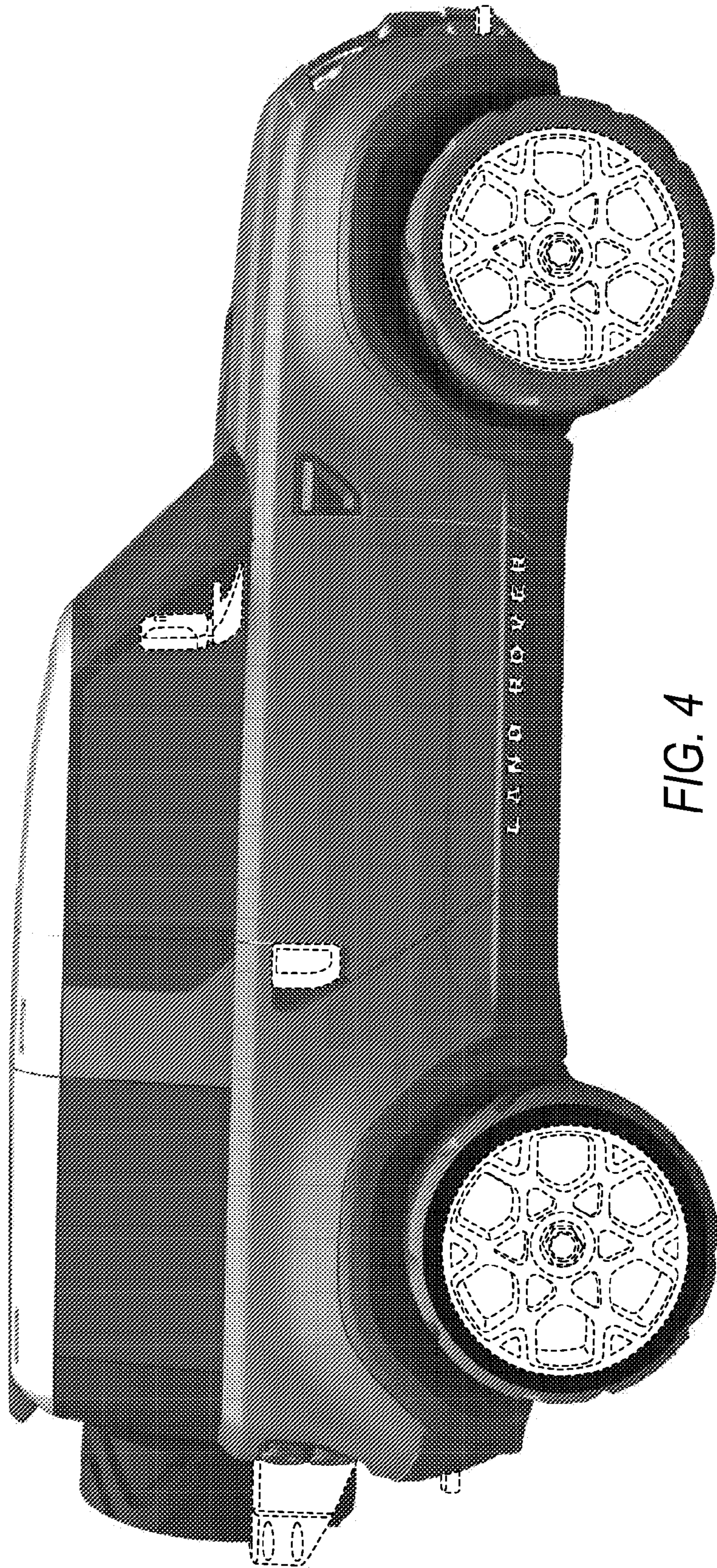


FIG. 4

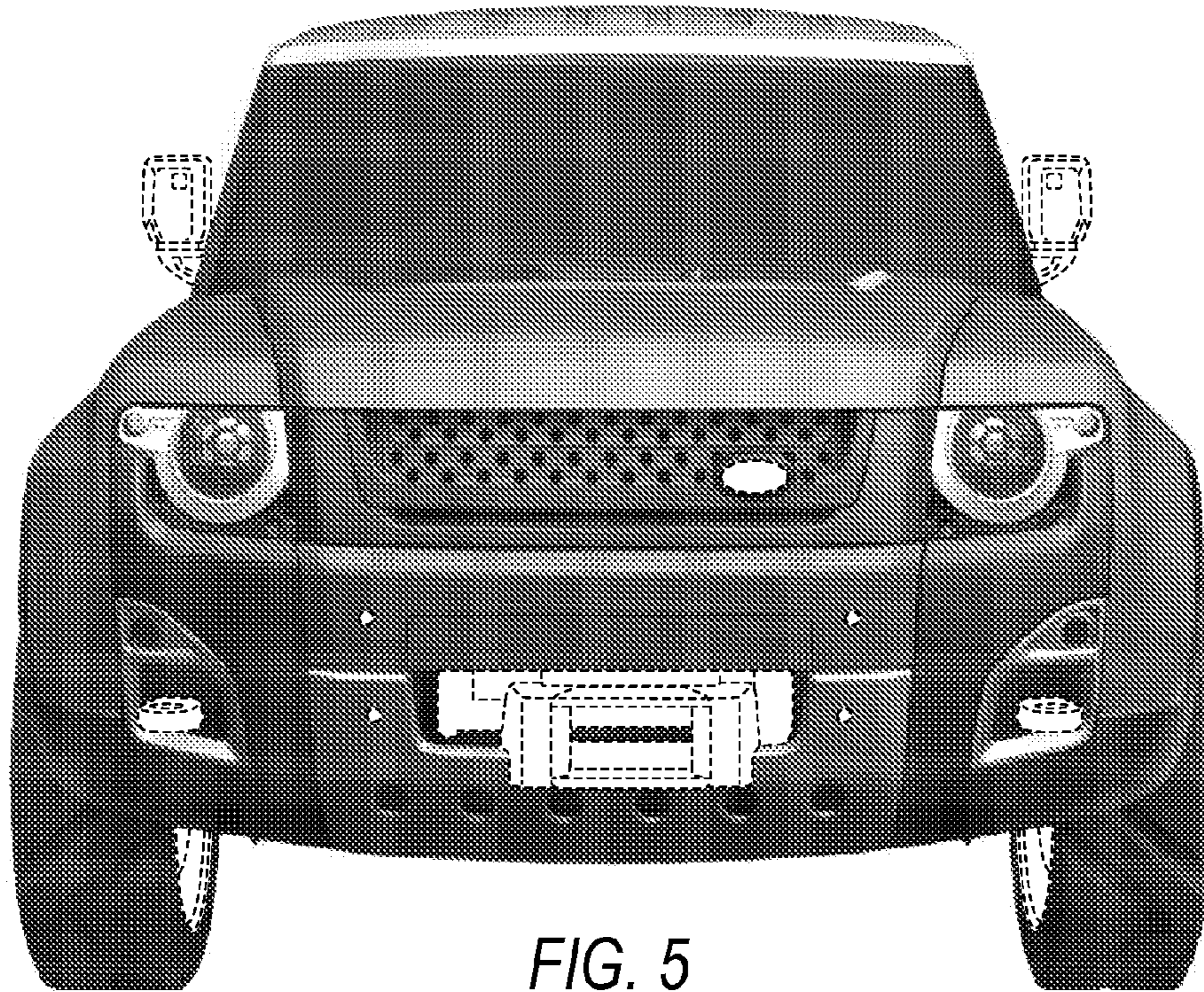


FIG. 5

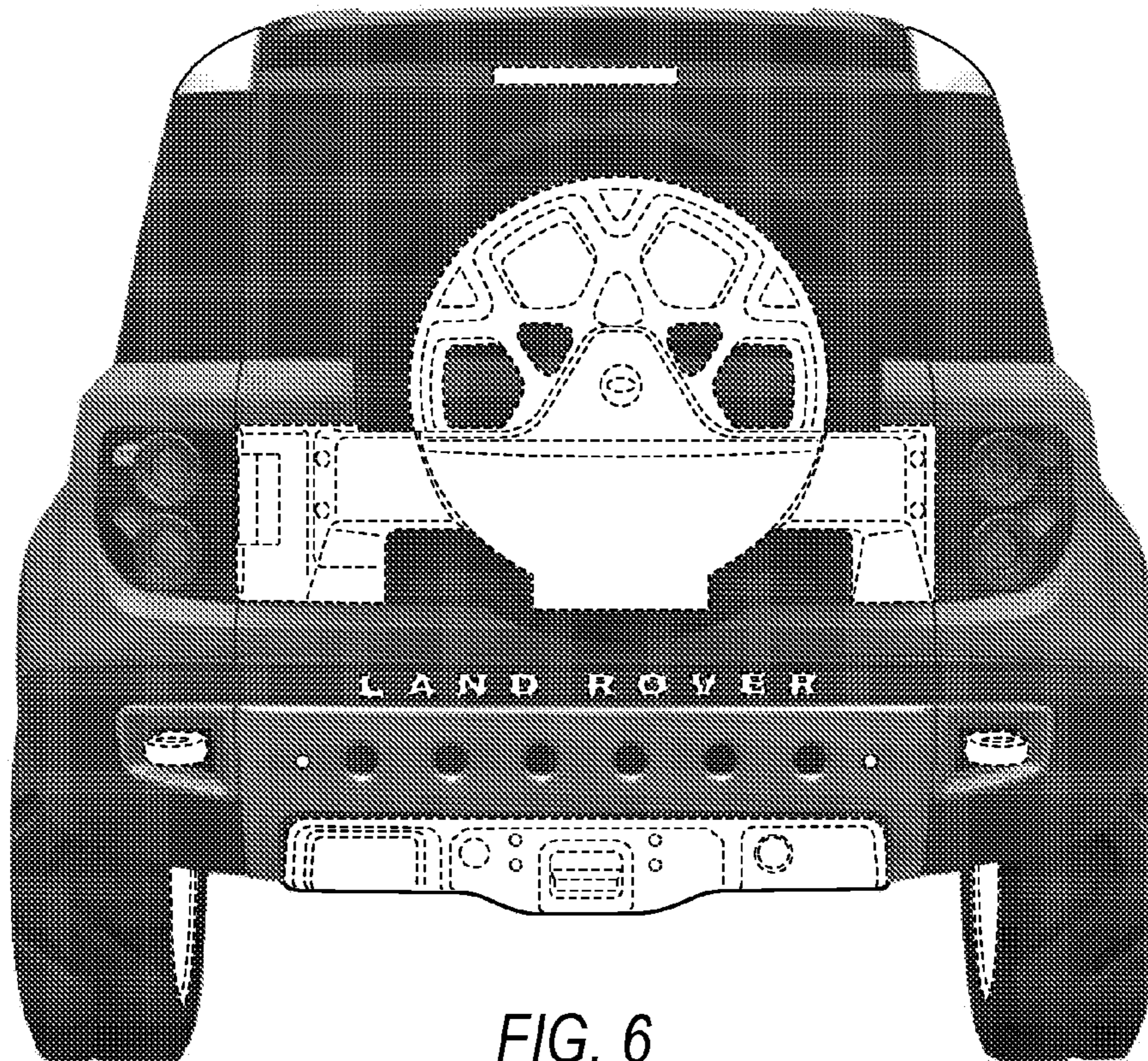


FIG. 6

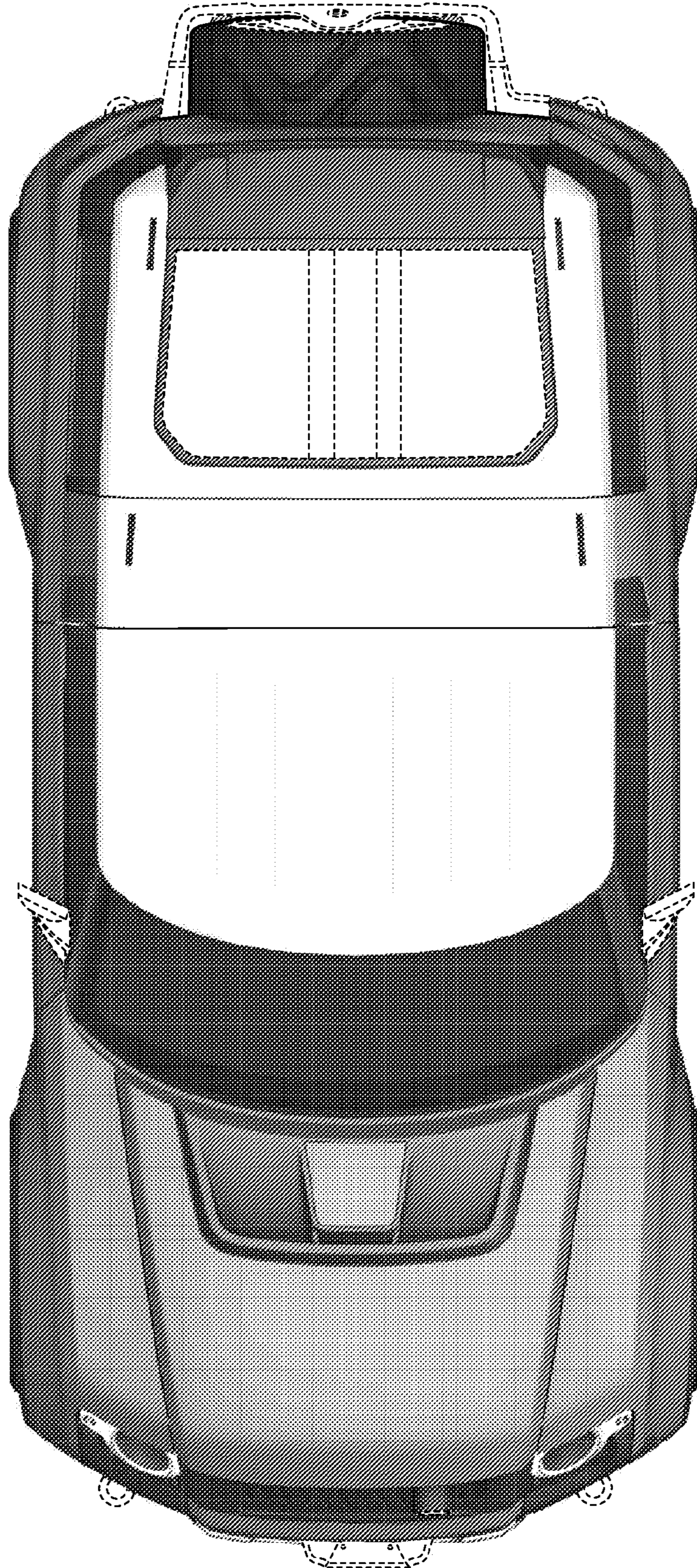


FIG. 7