



US00D684090S

(12) **United States Design Patent**
Gamou et al.

(10) **Patent No.:** **US D684,090 S**
(45) **Date of Patent:** **** Jun. 11, 2013**

(54) **MOTOR VEHICLE AND/OR TOY REPLICA THEREOF**

(75) Inventors: **Tokiko Gamou**, Toyota (JP); **Daichi Kimura**, Toyota (JP); **Hirotsada Kobayashi**, Toyota (JP)

(73) Assignee: **Toyota Jidosha Kabushiki Kaisha** (JP)

(**) Term: **14 Years**

(21) Appl. No.: **29/394,409**

(22) Filed: **Jun. 16, 2011**

(30) **Foreign Application Priority Data**

Dec. 20, 2010	(JP)	2010-030369
Dec. 20, 2010	(JP)	2010-030374
Dec. 20, 2010	(JP)	2010-030376
Dec. 20, 2010	(JP)	2010-030379

(51) **LOC (9) Cl.** **12-08**

(52) **U.S. Cl.**
USPC **D12/90**

(58) **Field of Classification Search**
USPC D12/86, 90-92; D21/424, 433, 434;
296/181.1, 181.5
See application file for complete search history.

(56) **References Cited**

U.S. PATENT DOCUMENTS

D595,615	S	*	7/2009	Nagafuchi et al.	D12/91
D608,694	S	*	1/2010	Okue et al.	D12/91
D610,039	S	*	2/2010	Koide et al.	D12/90
D617,684	S	*	6/2010	Nagura et al.	D12/92
D619,047	S	*	7/2010	Foster	D12/91
D619,500	S	*	7/2010	Hsu et al.	D12/91
D624,850	S	*	10/2010	Yagi et al.	D12/91
D628,938	S	*	12/2010	Yamazaki et al.	D12/91
D630,553	S	*	1/2011	Muller	D12/91
D630,554	S	*	1/2011	Kim	D12/91
D633,008	S	*	2/2011	Nakamura et al.	D12/90
D633,823	S	*	3/2011	Matei et al.	D12/91

D642,093	S	*	7/2011	Kubo et al.	D12/91
D647,428	S	*	10/2011	Ohhashi et al.	D12/90
D654,399	S	*	2/2012	Kumai et al.	D12/91
D655,648	S	*	3/2012	Imaiida et al.	D12/91
D657,716	S	*	4/2012	Cartabiano et al.	D12/91

OTHER PUBLICATIONS

Toyota, Toyota Vitz, Toyota Jidosha Kabushiki Kaisha Catalog, Feb. 2009.

Mazda, Mazda Demio, Toyota Jidosha Kabushiki Kaisha Catalog, Jun. 2007.

Toyota, Toyota FT-86 GSports Concept, NetCarShow.com, http://www.netcarshow.com/toyota/2010-ft-86g_sports_concept/, Oct. 11, 2010.

Fiat, Fiat-500 Abarth, NetCarShow.com, http://www.netcarshow.com/fiat/2009-500_abarth/, available at least as early as Jun. 16, 2011.

Subaru, Subaru-Impreza_WRX_STi, NetCarShow.com, http://www.netcarshow.com/subaru/2008-impreza_wrx_sti/, available at least as early as Jun. 16, 2011.

* cited by examiner

Primary Examiner — Melody Brown

(74) *Attorney, Agent, or Firm* — Saidman DesignLaw Group

(57) **CLAIM**

The ornamental design for a motor vehicle and/or toy replica thereof, as shown and described.

DESCRIPTION

FIG. 1 is a left, front perspective view of a motor vehicle and/or toy replica thereof showing our new design;

FIG. 2 is a left, rear perspective view thereof;

FIG. 3 is a left side elevation thereof, the right side view being a mirror image thereof;

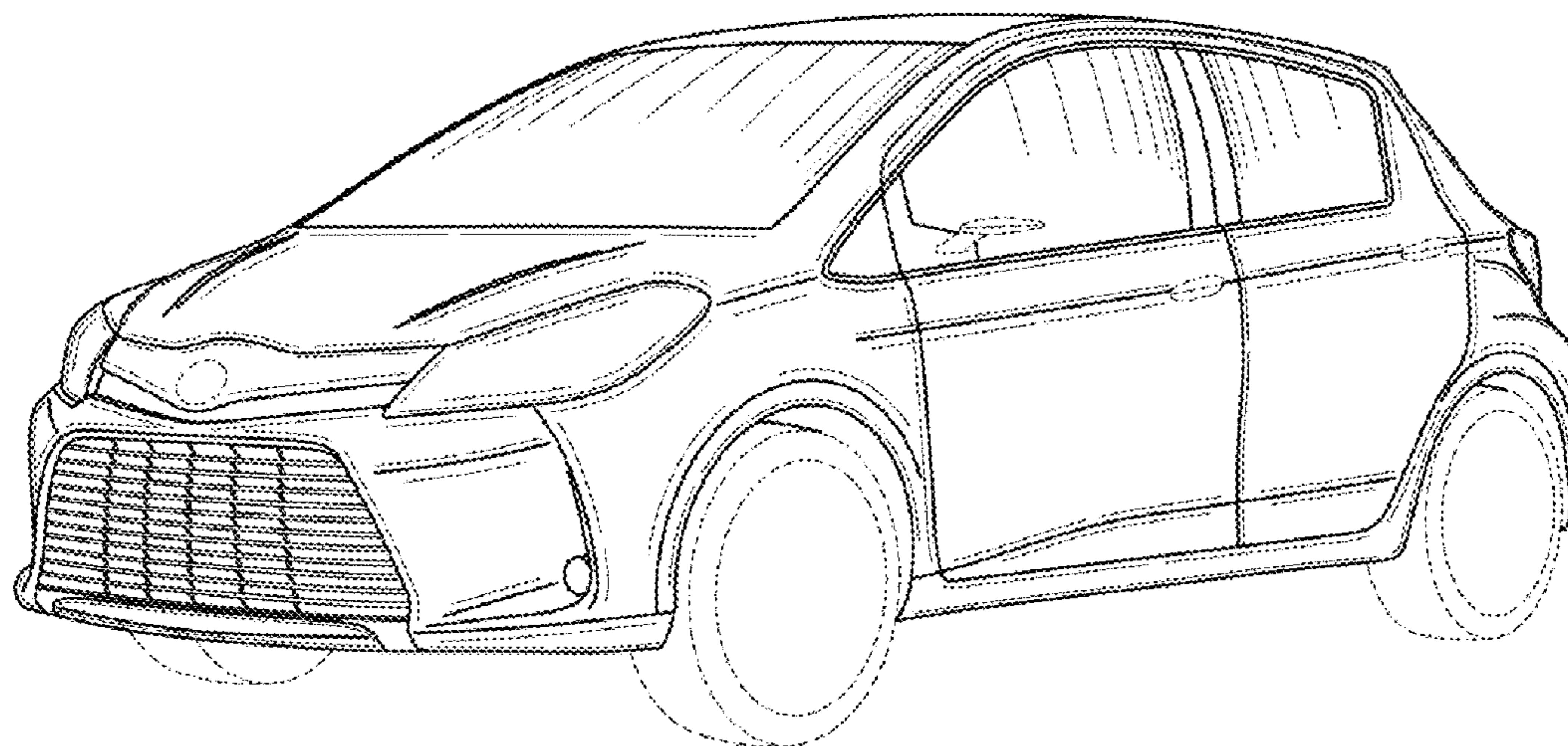
FIG. 4 is a top plan view thereof;

FIG. 5 is a front elevation view thereof; and,

FIG. 6 is a rear elevation view thereof.

The broken lines illustrate portions of the motor vehicle and/or toy replica thereof, and form no part of the claimed design.

1 Claim, 3 Drawing Sheets



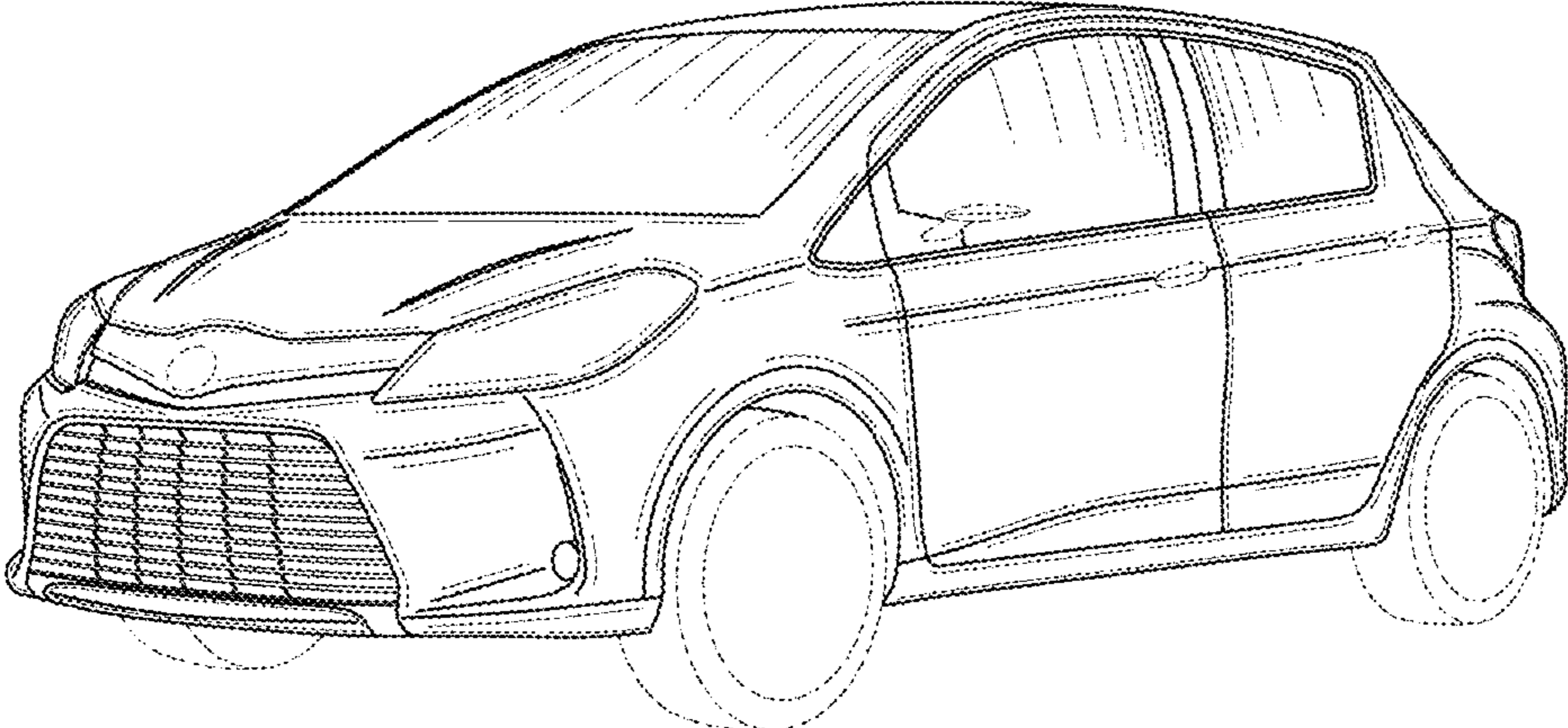


FIG. 1

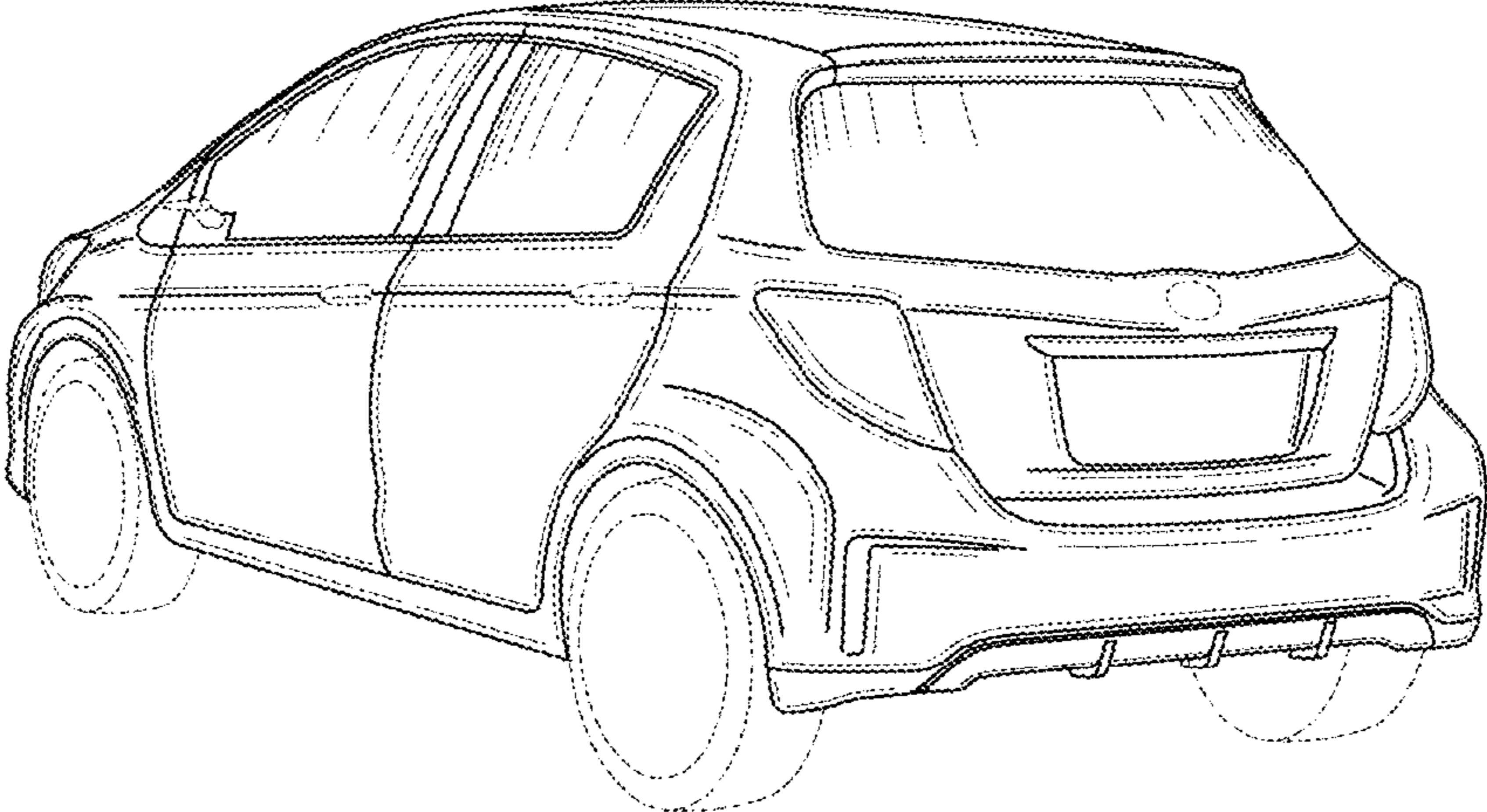


FIG. 2

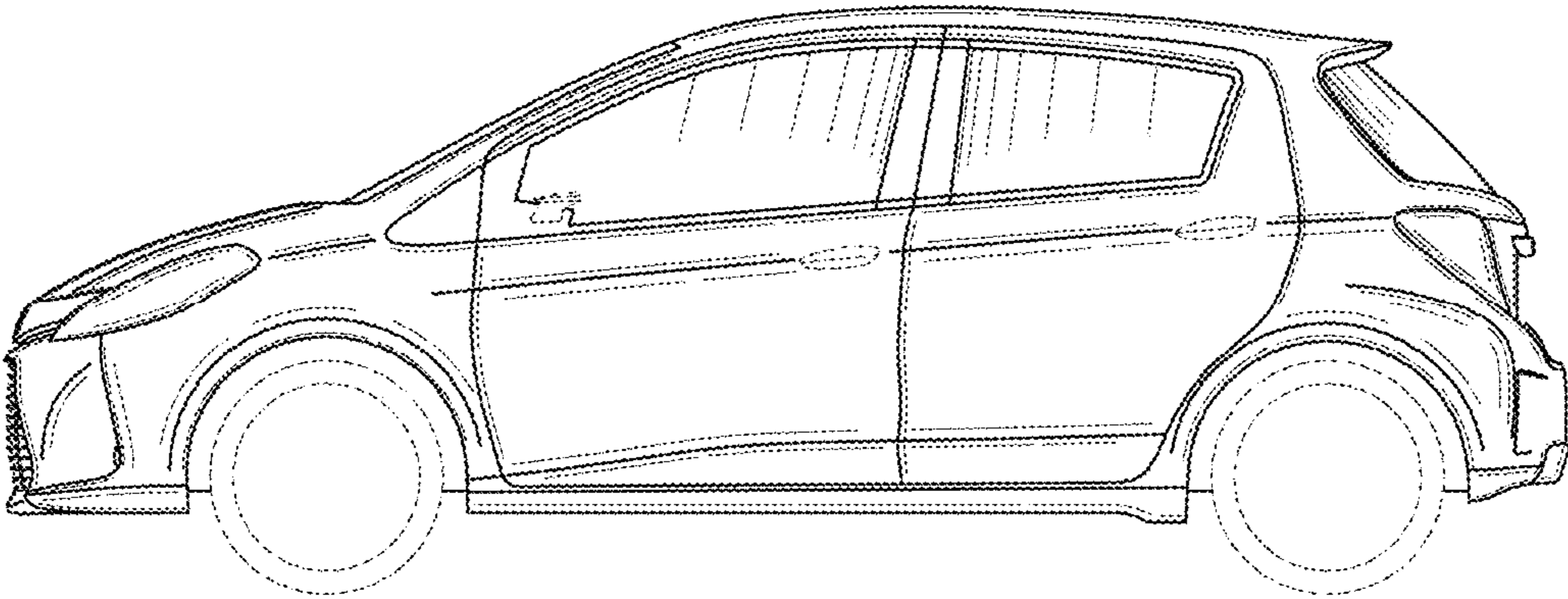


FIG. 3

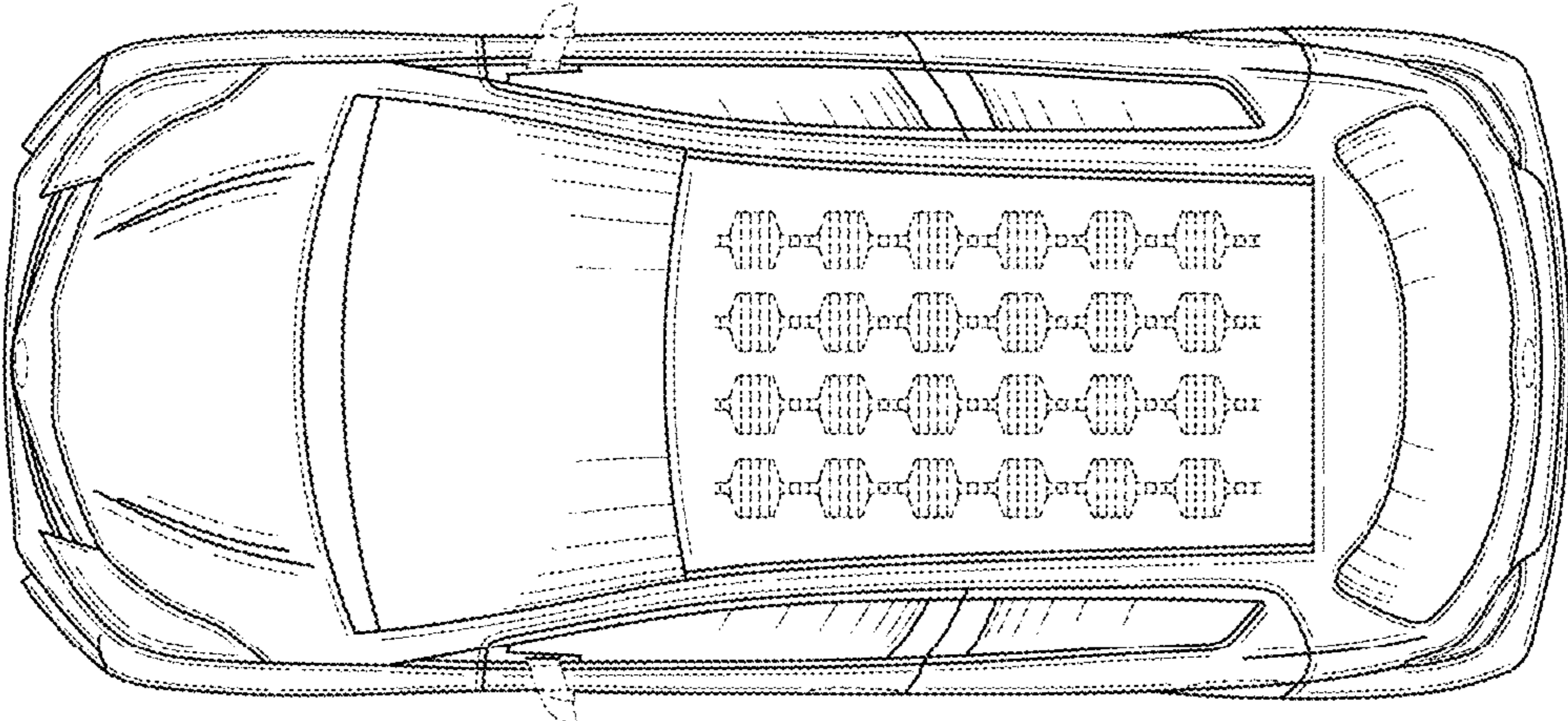


FIG. 4

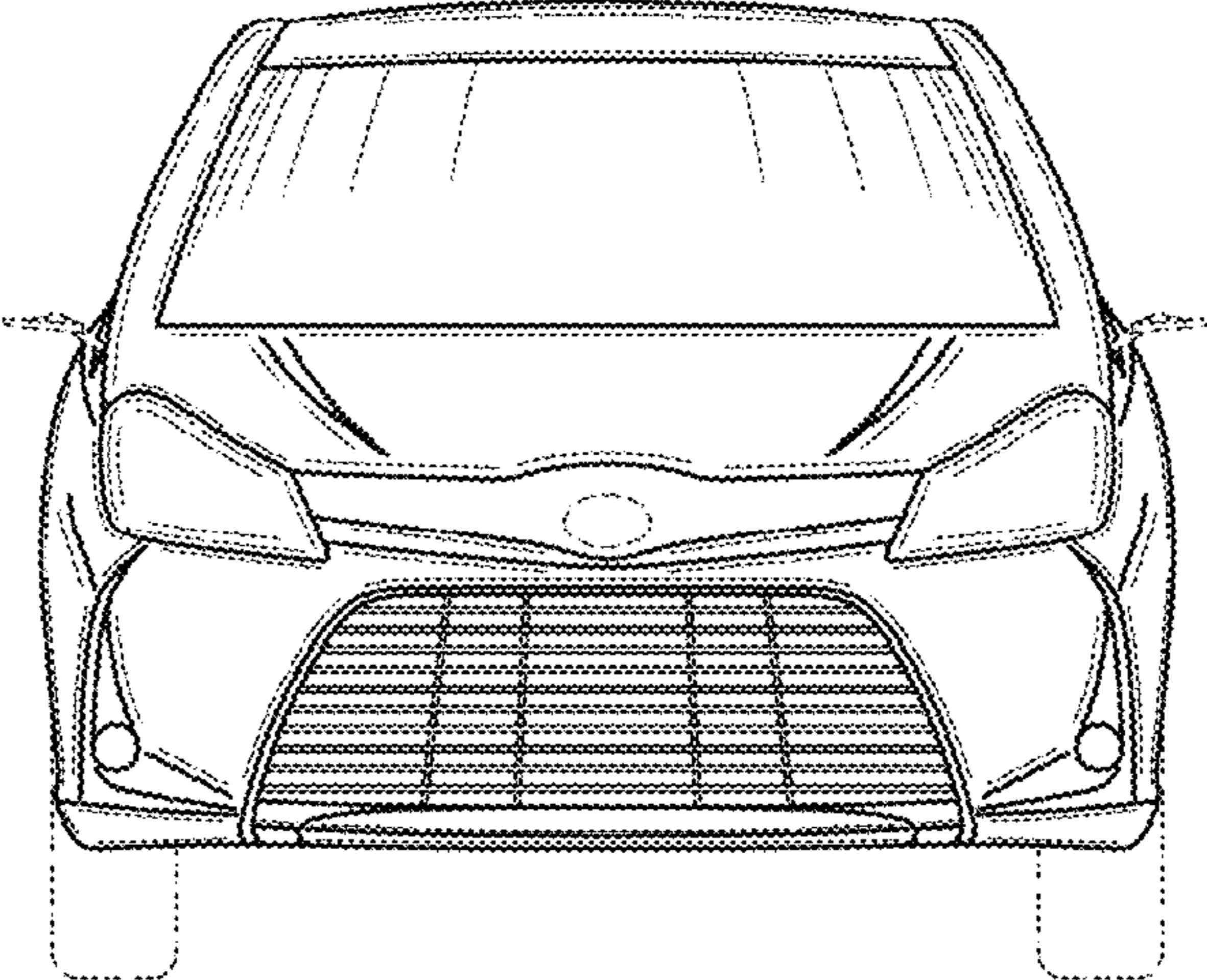


FIG. 5

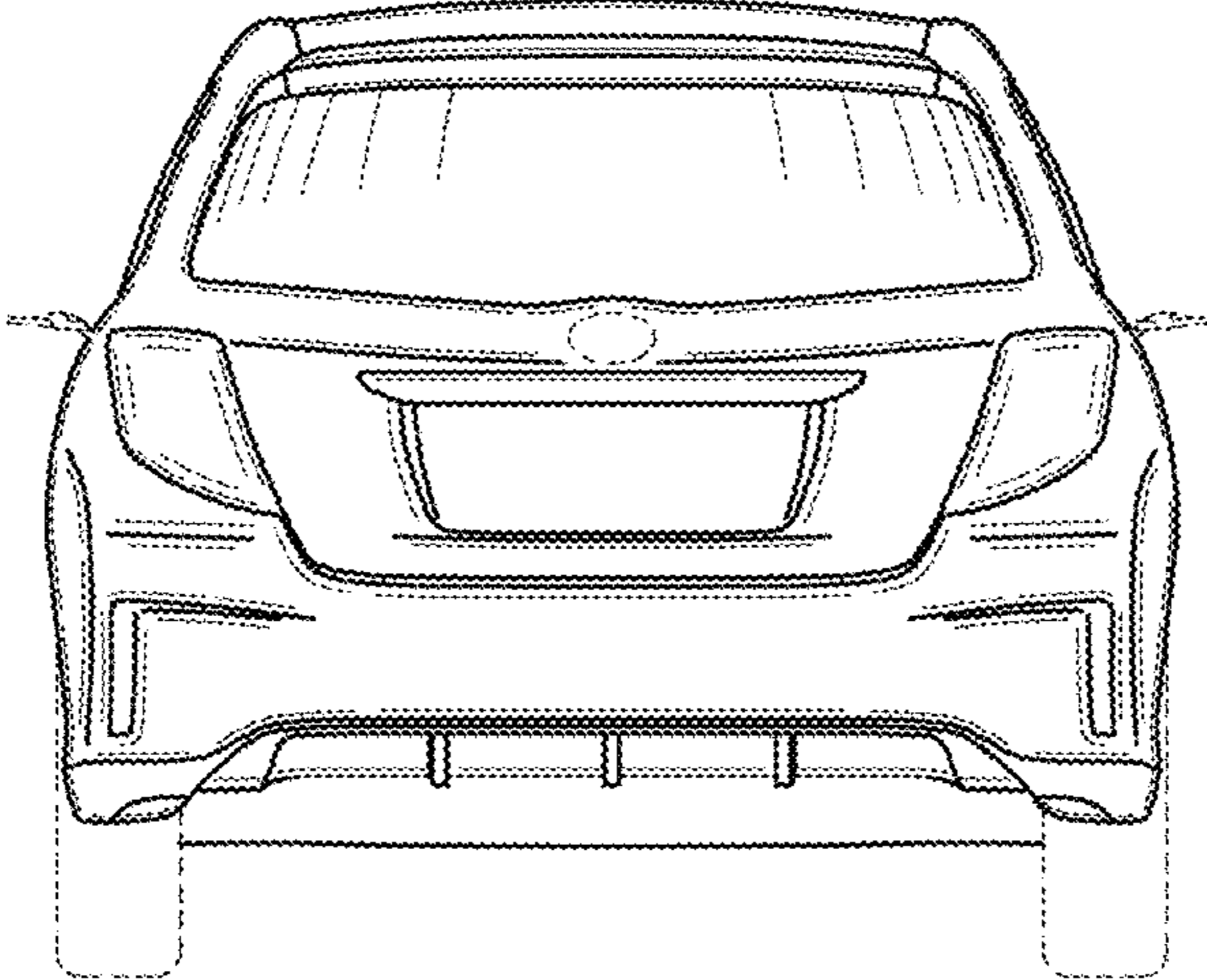


FIG. 6