



US00D684088S

(12) **United States Design Patent**
Fukazawa

(10) **Patent No.:** **US D684,088 S**
(45) **Date of Patent:** **** Jun. 11, 2013**

(54) **BUCKLE**
(75) Inventor: **Kuniyasu Fukazawa**, Hamamatsu (JP)
(73) Assignee: **Nifco Inc.**, Yokohama-Shi (JP)
(**) Term: **14 Years**

5,383,258 A * 1/1995 Nicoletti 24/68 SK
D363,690 S * 10/1995 Gallon et al. D11/216
D376,771 S * 12/1996 Cheng D11/216
D380,983 S * 7/1997 Lu D11/216
D398,559 S * 9/1998 Chen D11/215
D649,492 S * 11/2011 Grimm et al. D11/216

* cited by examiner

(21) Appl. No.: **29/421,138**
(22) Filed: **May 30, 2012**

Primary Examiner — Ralf Seifert
(74) *Attorney, Agent, or Firm* — Manabu Kanesaka

(30) **Foreign Application Priority Data**

Dec. 2, 2011 (JP) 2011-028000

(51) **LOC (9) Cl.** **02-07**
(52) **U.S. Cl.**

USPC **D11/216**

(58) **Field of Classification Search**

USPC D11/1-2, 200-201, 206-210, 214-218;
24/163 R, 169-171, 173, 177-179, 191,
194-195, 197, 200, 614-616, 625
See application file for complete search history.

(56) **References Cited**

U.S. PATENT DOCUMENTS

1,582,096 A * 4/1926 Thomas 24/70 R
D318,943 S * 8/1991 Marega D2/978

(57) **CLAIM**
The ornamental design for a buckle, as shown and described.

DESCRIPTION

FIG. 1 is a perspective view of a buckle showing my new design;
FIG. 2 is another perspective view thereof;
FIG. 3 is a front view thereof;
FIG. 4 is a rear view thereof;
FIG. 5 is a right side view thereof;
FIG. 6 is a left side view thereof;
FIG. 7 is a plan view thereof; and,
FIG. 8 is a bottom view thereof.
Outer thick lines indicate outer shapes of the buckle, and inner thin lines indicate inner contour of the buckle for illustration purpose.

1 Claim, 3 Drawing Sheets

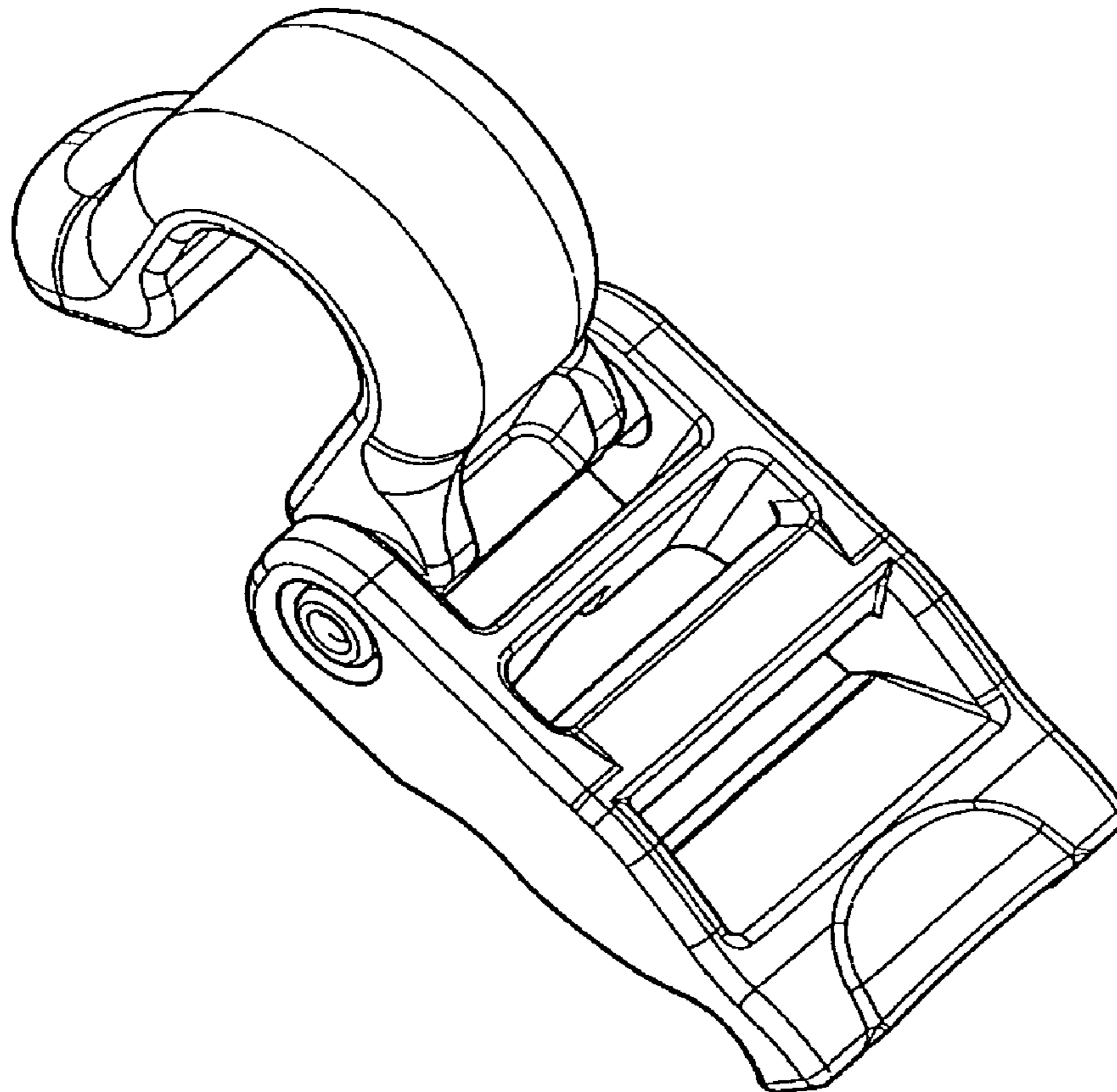


FIG. 1

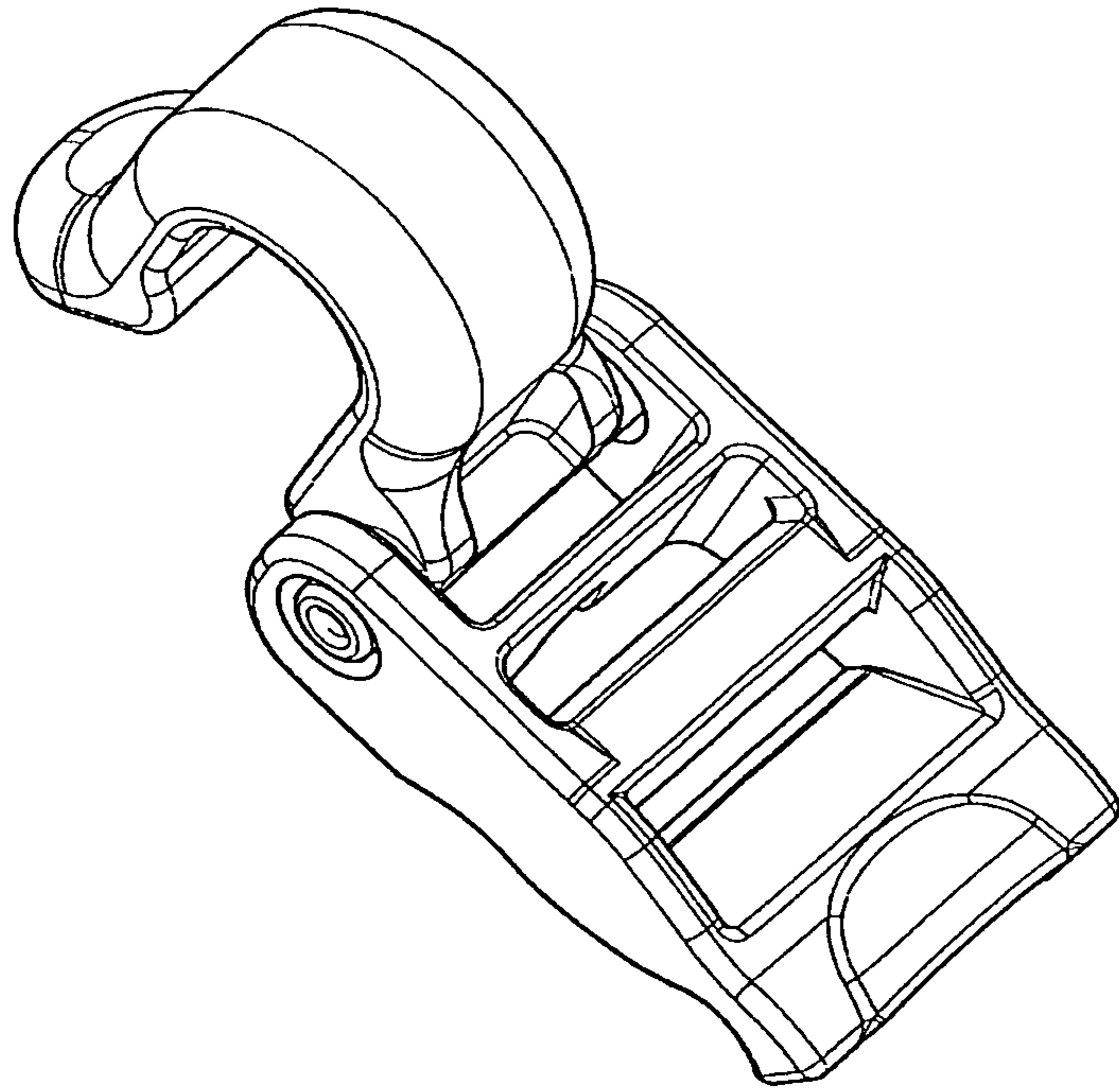


FIG. 2

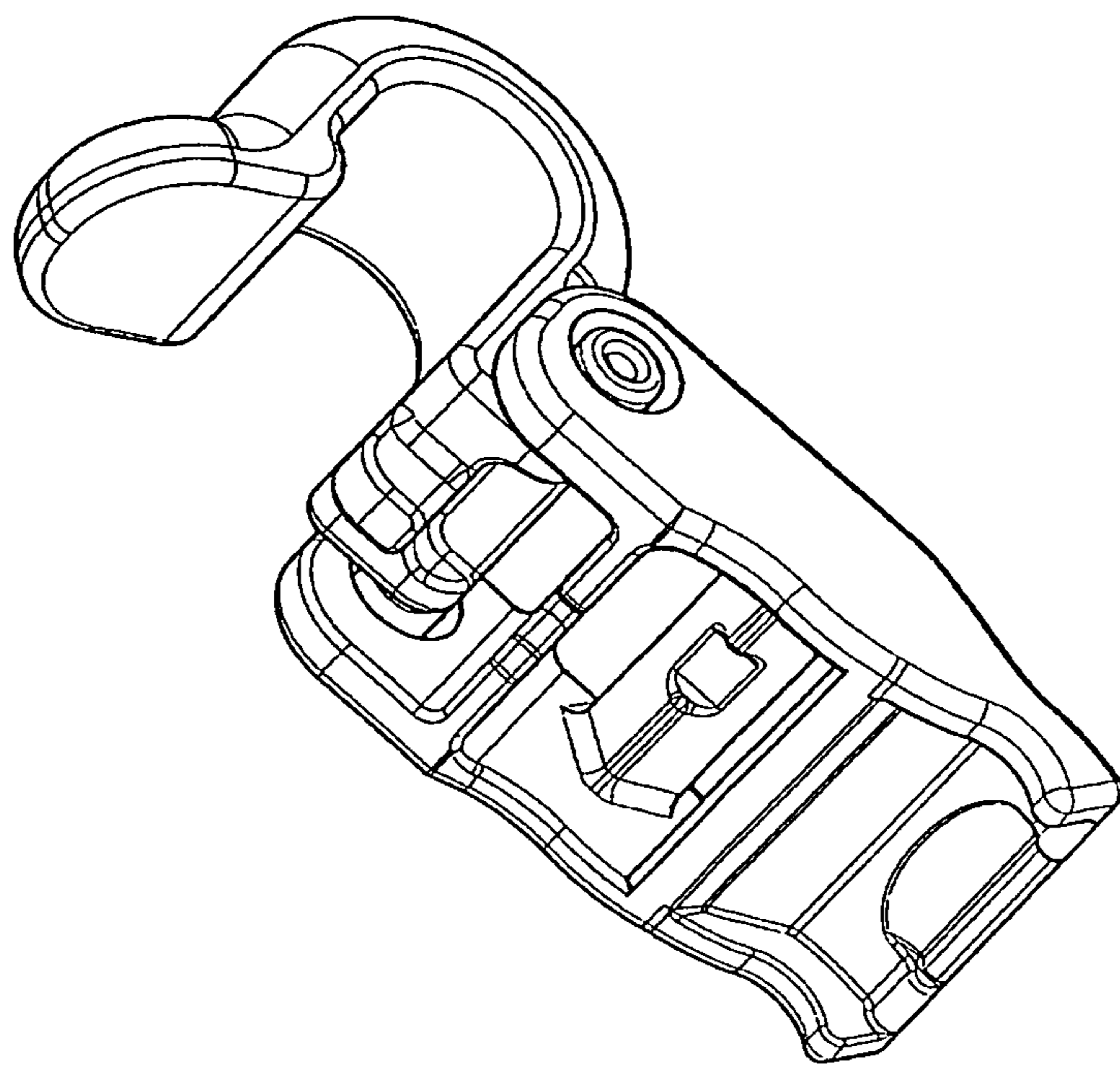


FIG. 3

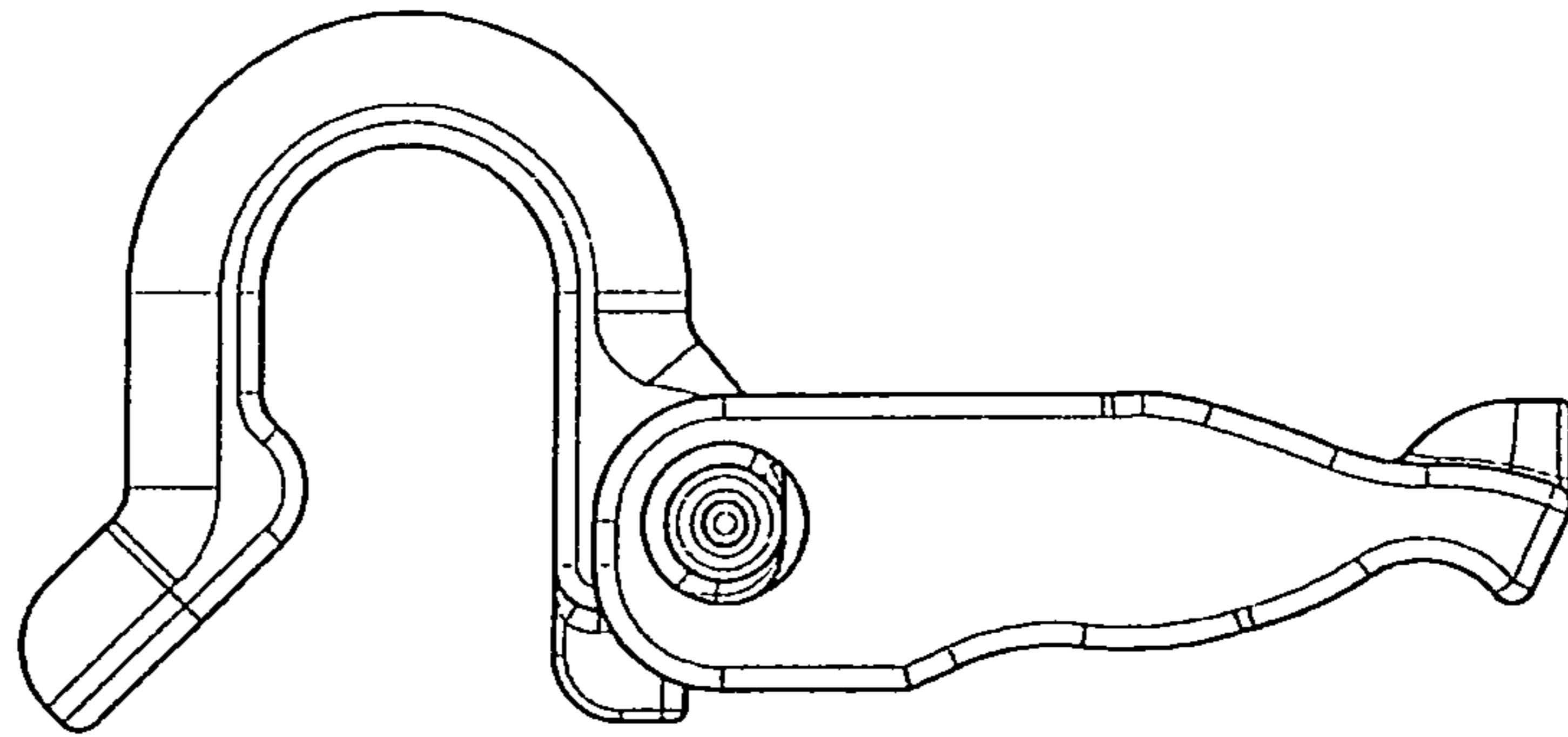


FIG. 4

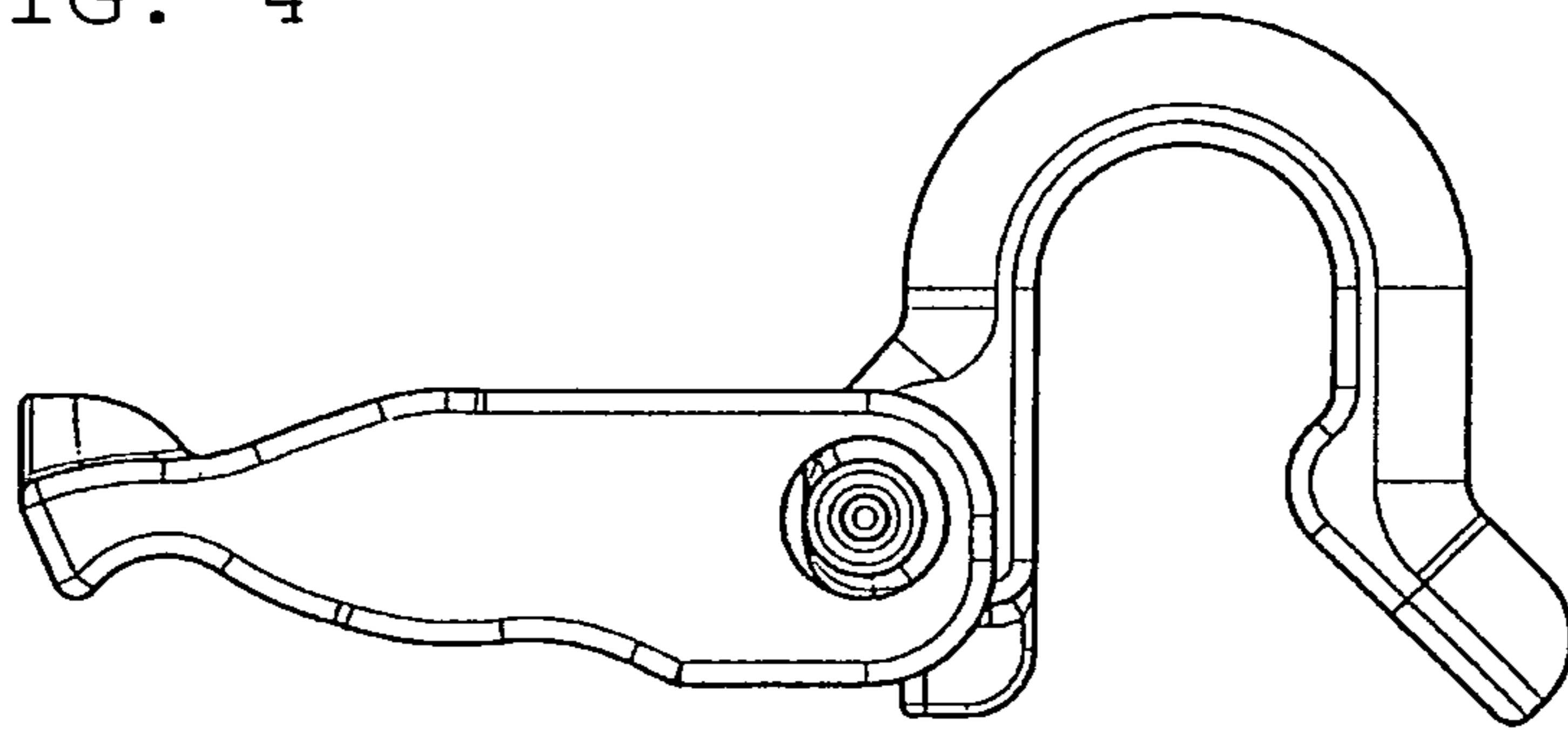


FIG. 5

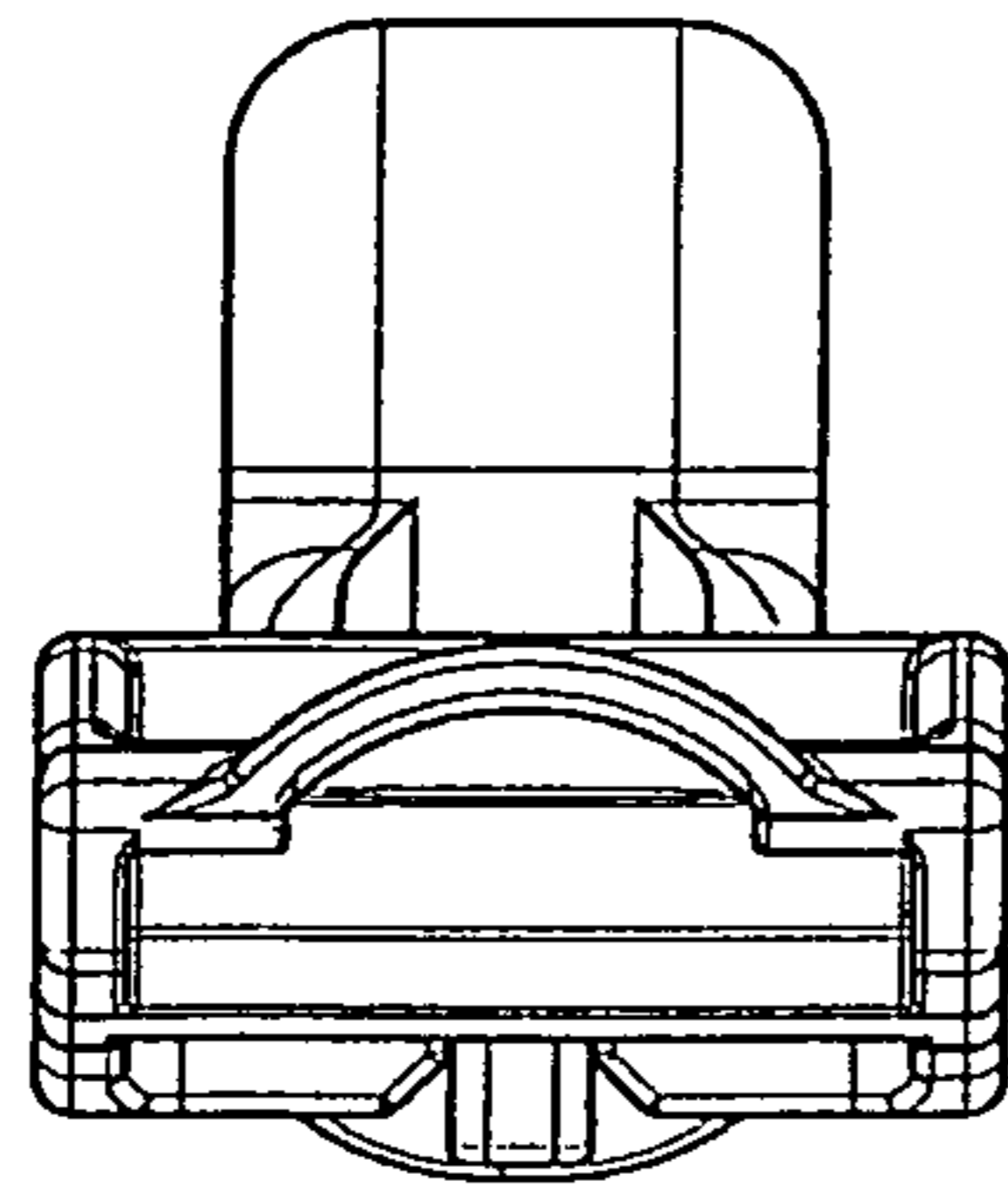


FIG. 6

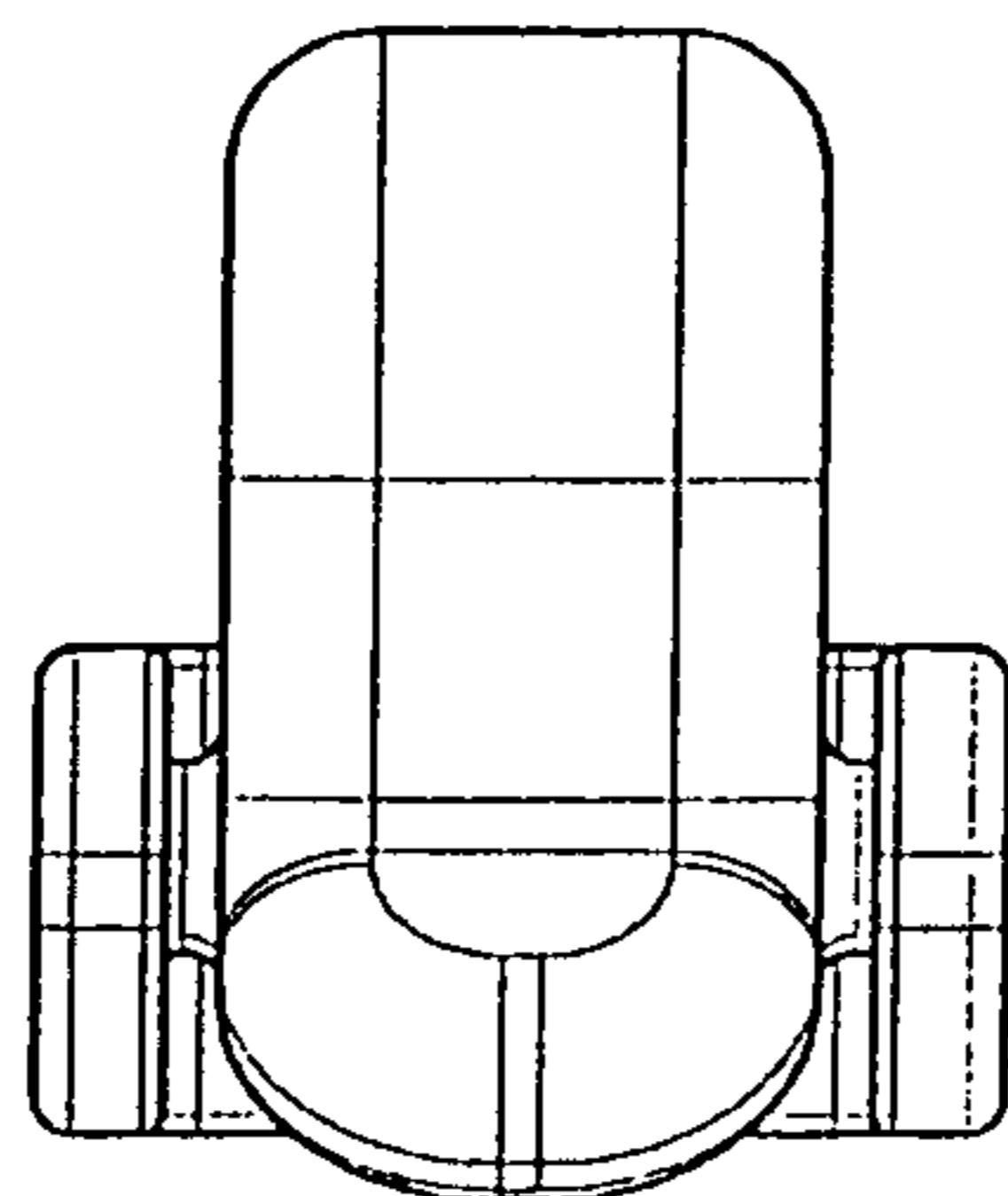


FIG. 7

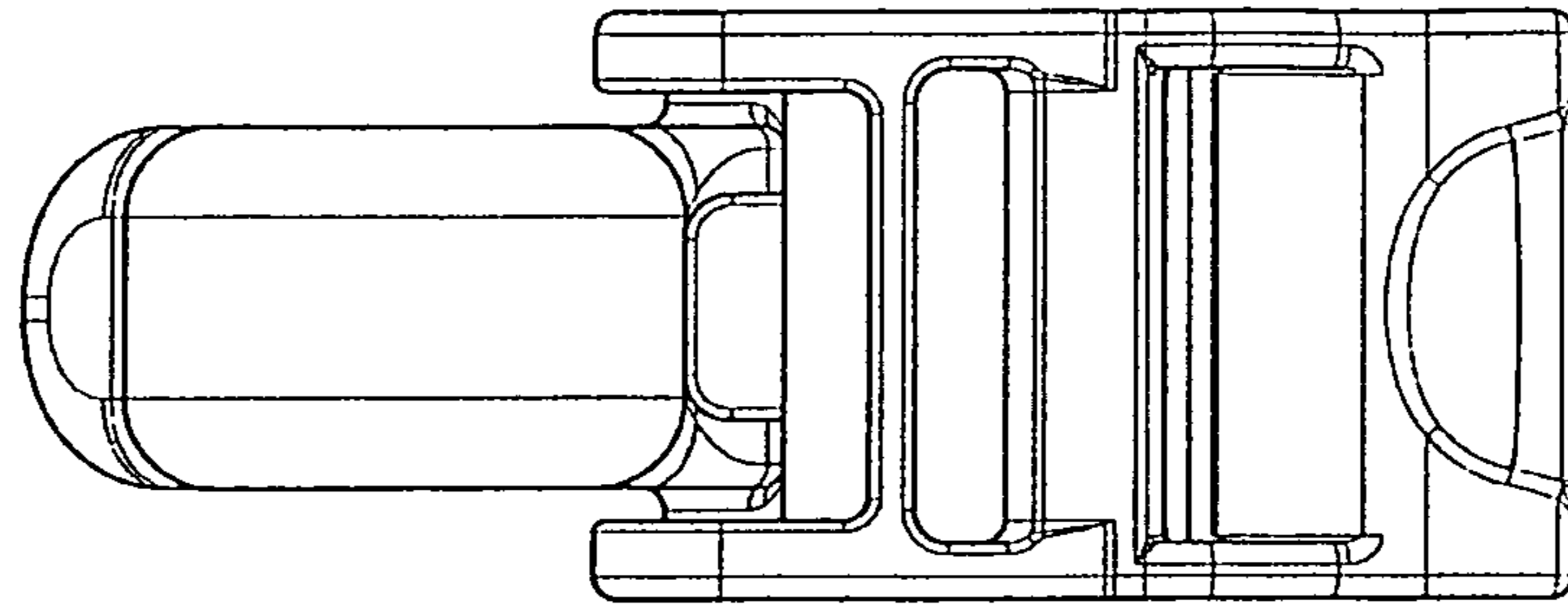


FIG. 8

