



US00D684080S

(12) **United States Design Patent**
Lutze

(10) **Patent No.:** **US D684,080 S**
(45) **Date of Patent:** **** Jun. 11, 2013**

(54) **SIGNALING APPARATUS**

(71) Applicant: **Peter Lutze**, Teutschenthal (DE)

(72) Inventor: **Peter Lutze**, Teutschenthal (DE)

(**) Term: **14 Years**

(21) Appl. No.: **29/435,290**

(22) Filed: **Oct. 23, 2012**

(30) **Foreign Application Priority Data**

Apr. 23, 2012 (EM) 002030882-0001

(51) **LOC (9) Cl.** **10-05**

(52) **U.S. Cl.**
USPC **D10/115**

(58) **Field of Classification Search**
USPC D10/114.1, 114.2, 114.9, 111; D26/37,
D26/40, 49; 340/929, 814; 362/267
See application file for complete search history.

(56) **References Cited**

U.S. PATENT DOCUMENTS

3,200,218 A * 8/1965 Wagner 340/929

D217,992 S * 7/1970 Osrow D10/113.4

* cited by examiner

Primary Examiner — George D Kirschbaum
(74) *Attorney, Agent, or Firm* — Raj Abhyanker, P.C.

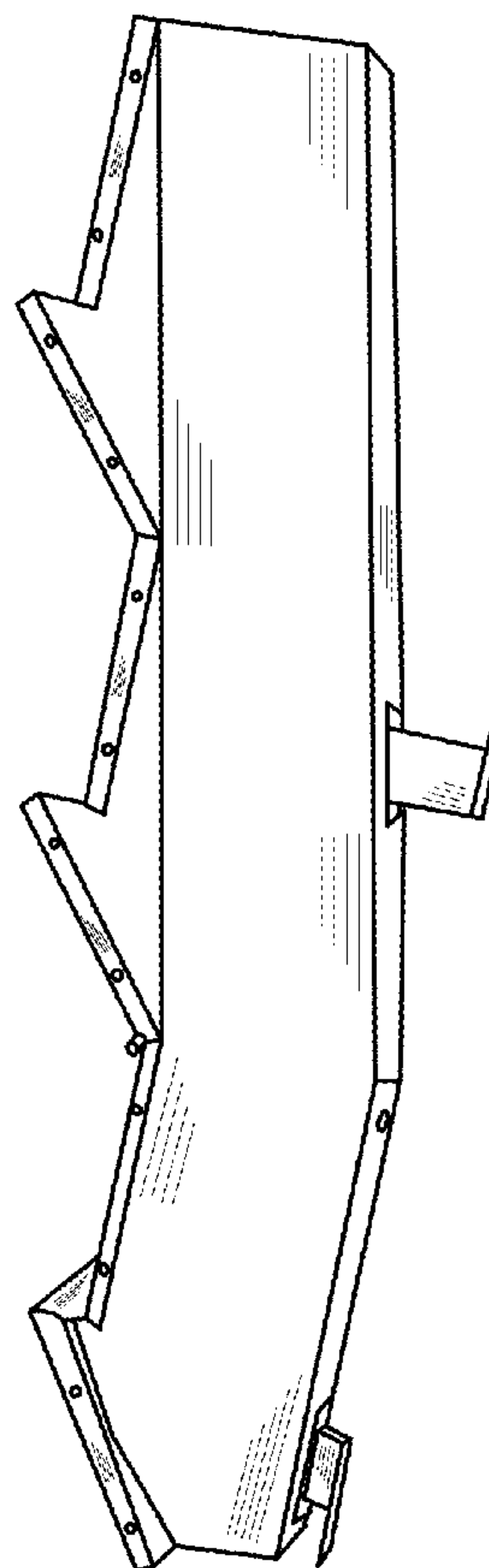
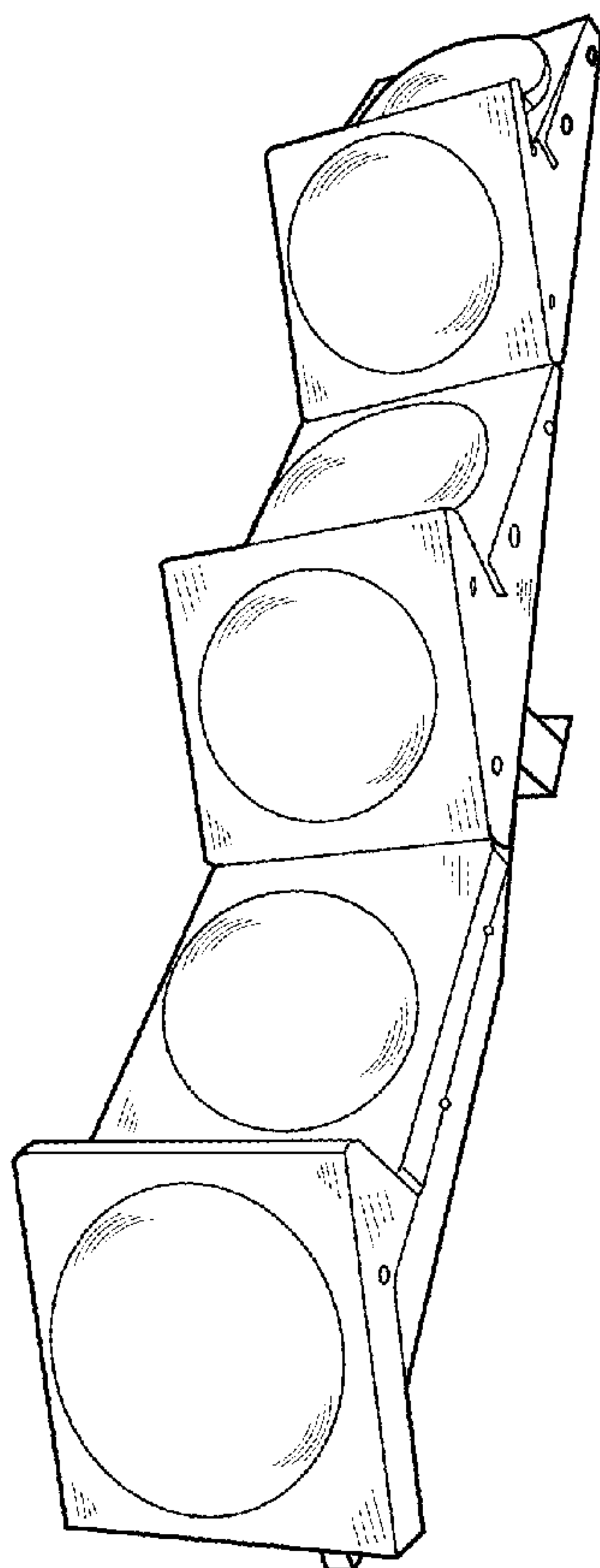
(57) **CLAIM**

The ornamental design for a signaling apparatus, as shown and described.

DESCRIPTION

FIG. 1 is a front perspective view of the signaling apparatus, showing my new design;
FIG. 2 is a left-side view thereof;
FIG. 3 is a right-side view thereof;
FIG. 4 is a front view thereof;
FIG. 5 is a back view thereof;
FIG. 6 is a close-up top view thereof;
FIG. 7 is a close-up bottom view thereof; and,
FIG. 8 is a left side perspective view thereof.

1 Claim, 8 Drawing Sheets



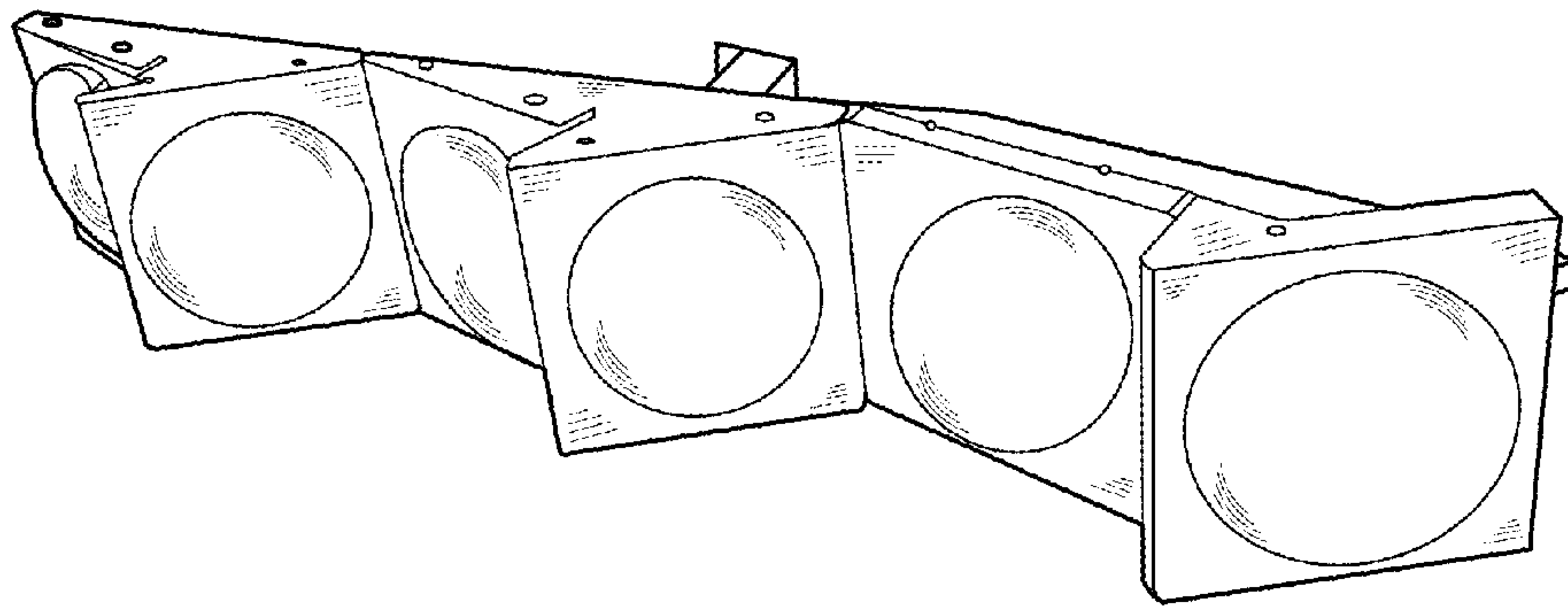


FIGURE 1

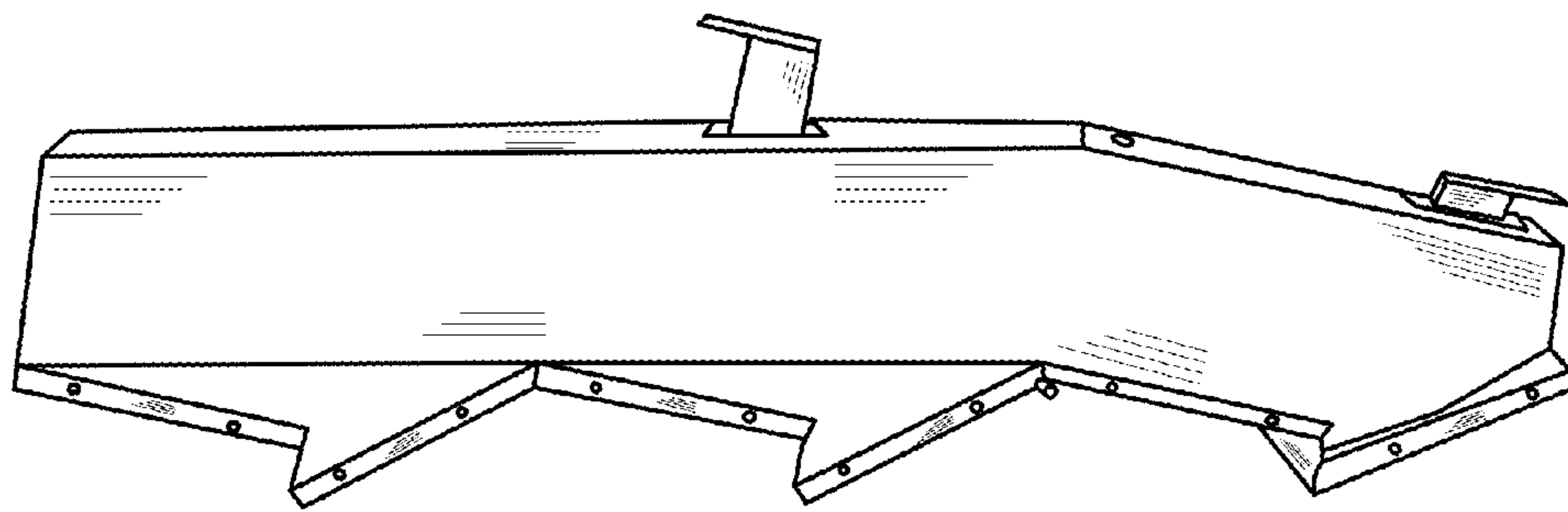


FIGURE 2

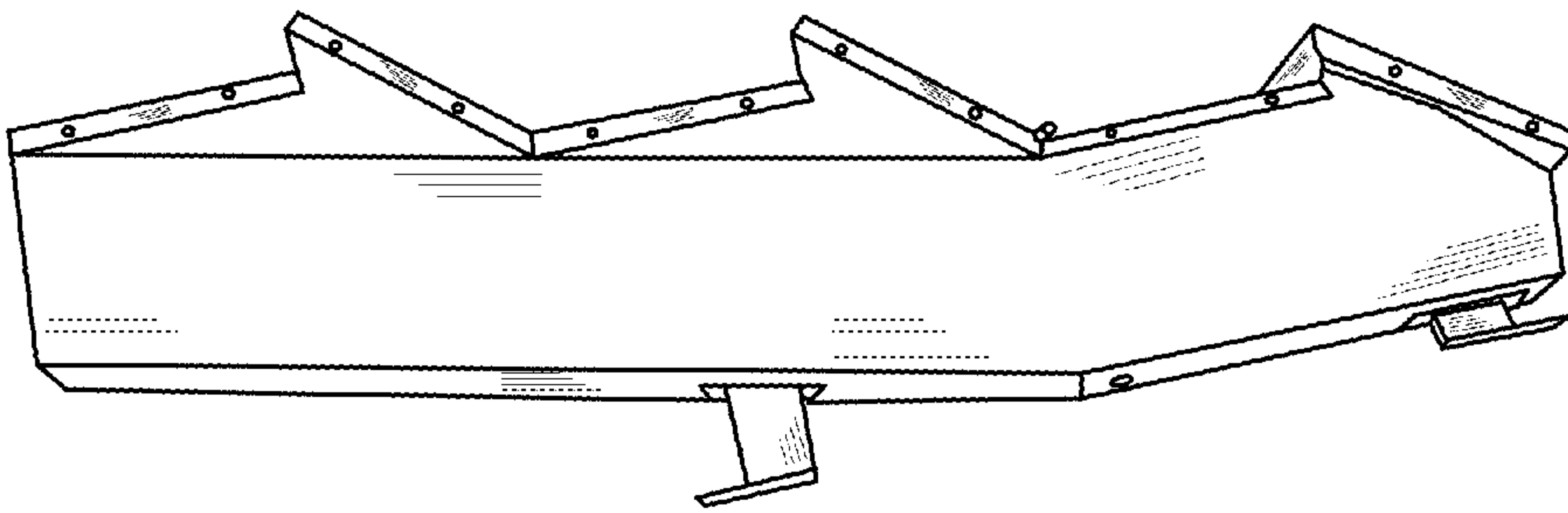


FIGURE 3

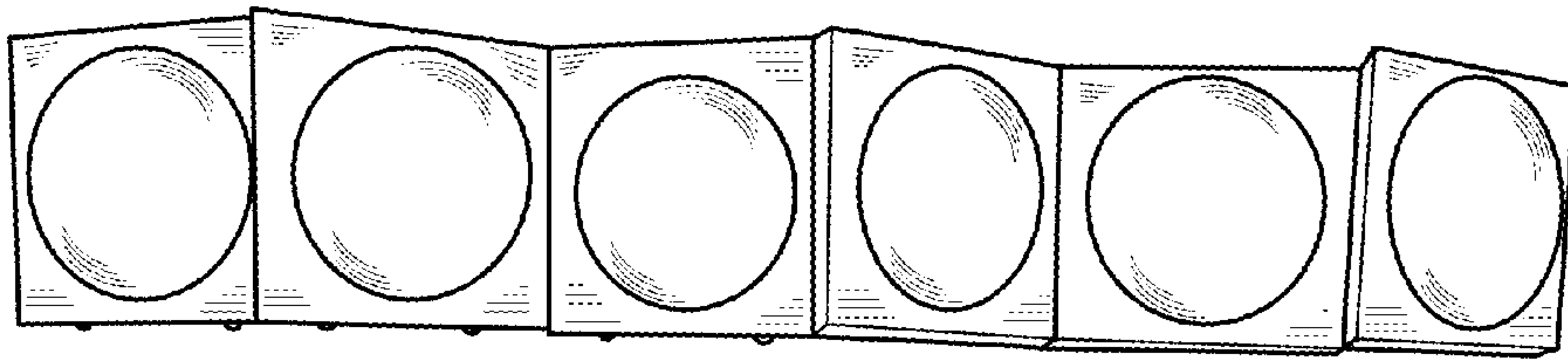


FIGURE 4

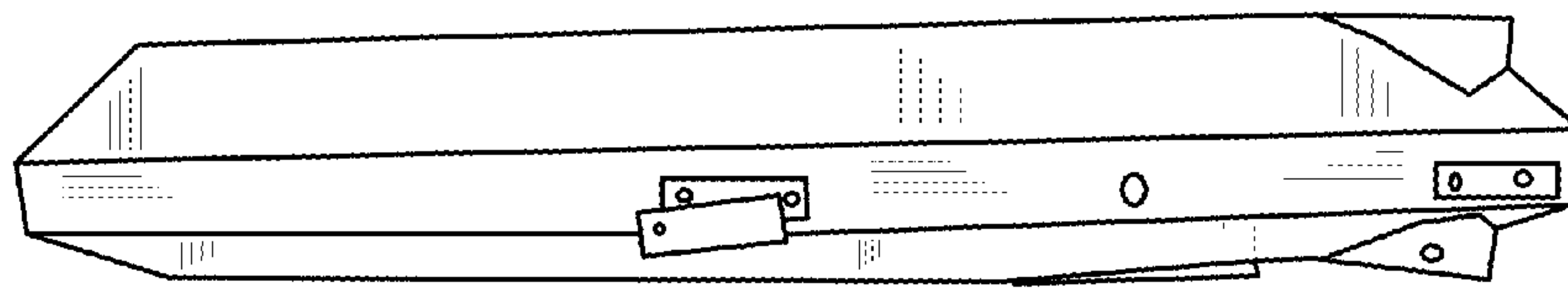


FIGURE 5

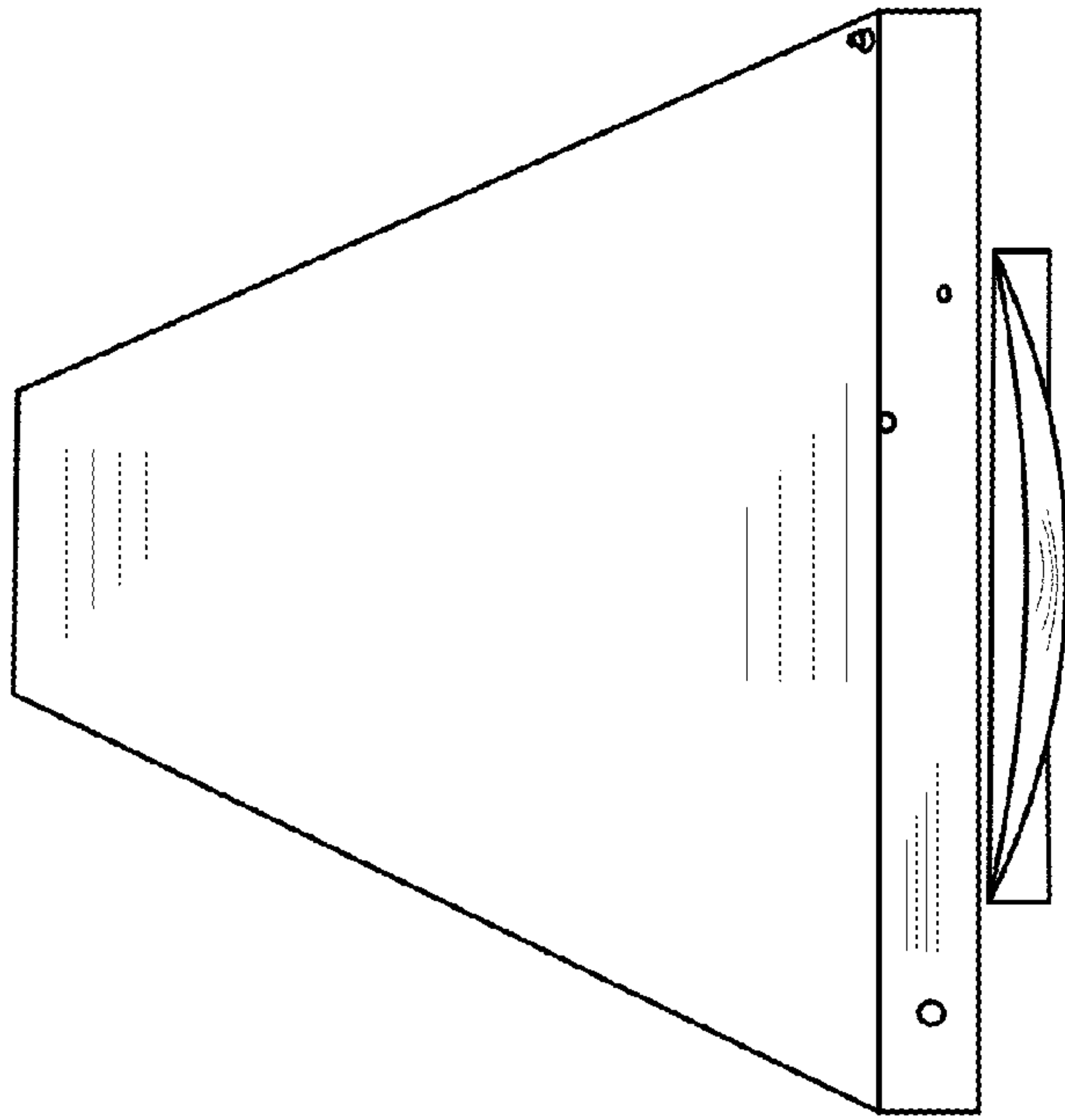


FIGURE 6

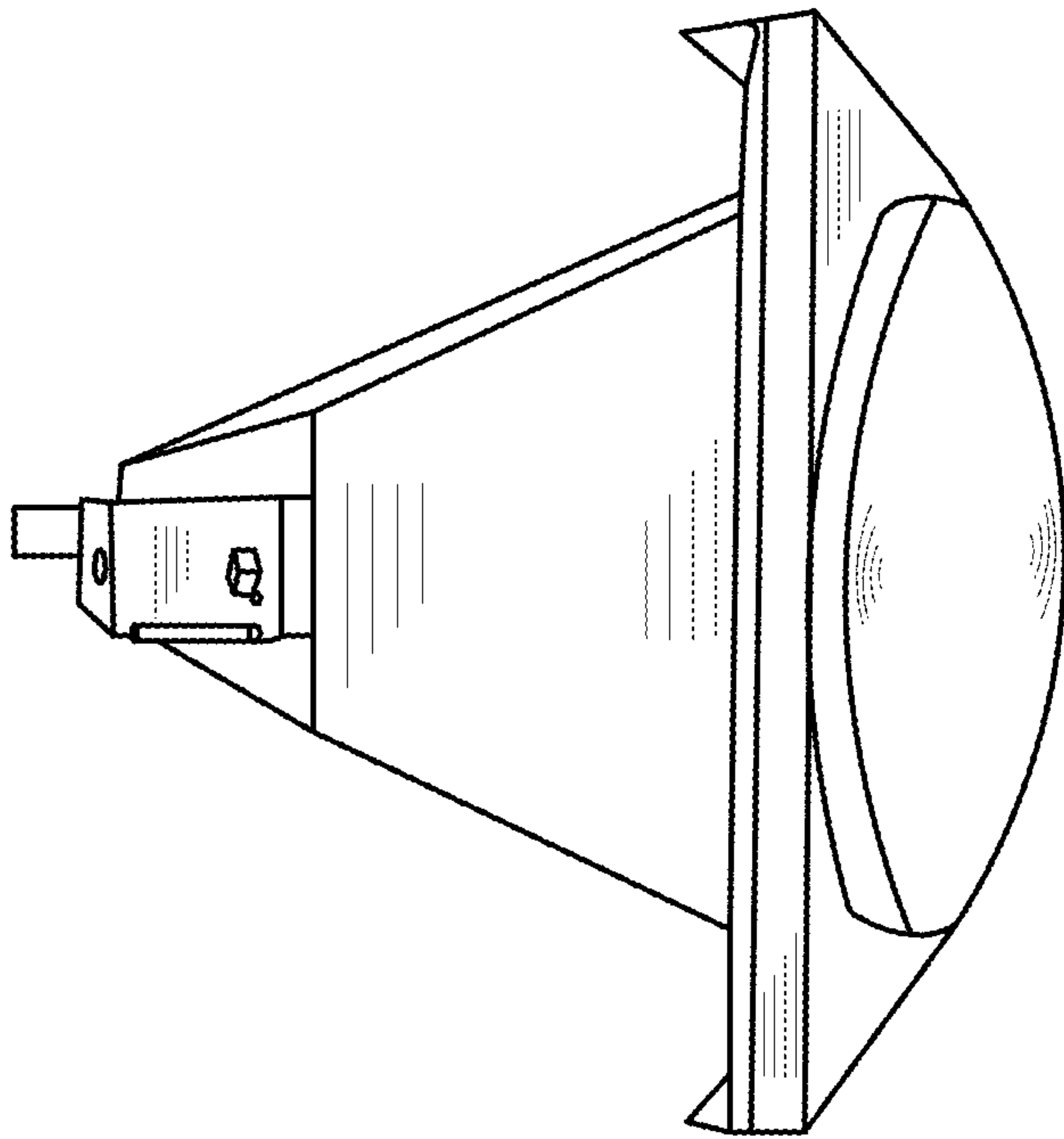


FIGURE 7

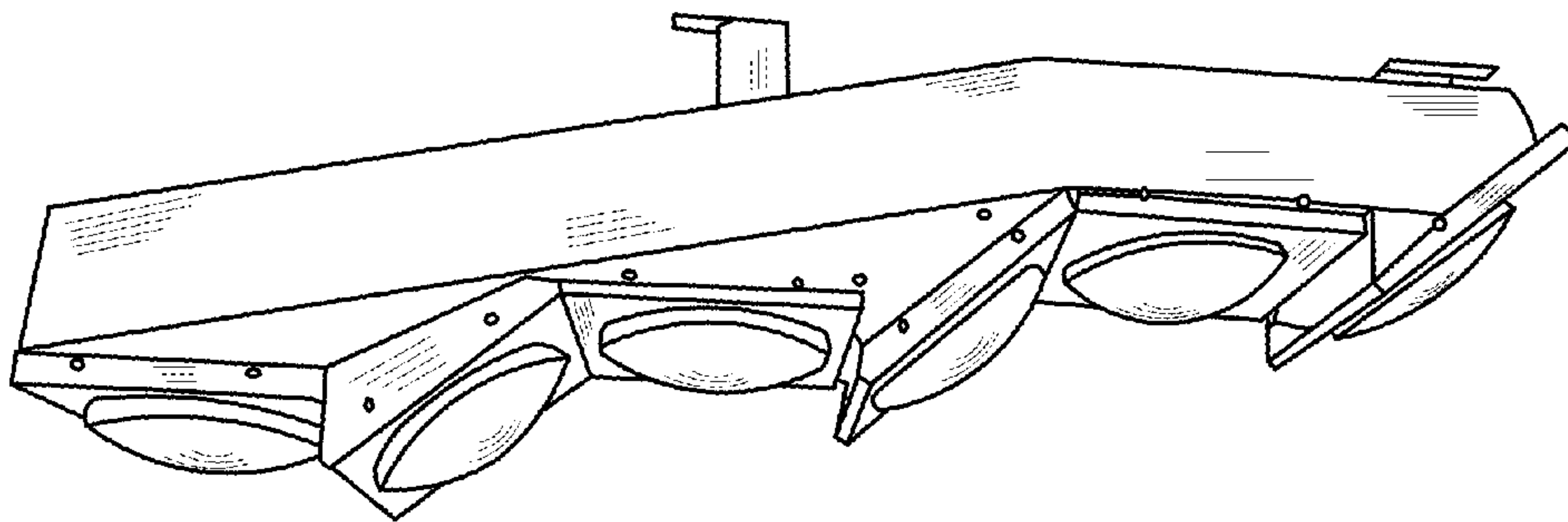


FIGURE 8