



US00D684078S

(12) **United States Design Patent**
Clifford et al.

(10) **Patent No.:** **US D684,078 S**

(45) **Date of Patent:** **** Jun. 11, 2013**

(54) **LED STROBE LIGHT**

(71) Applicant: **Checkers Industrial Products, LLC,**
Broomfield, CO (US)

(72) Inventors: **Scott Clifford,** Mesa, AZ (US); **Steven Brundula,** Chandler, AZ (US)

(73) Assignee: **Checkers Industrial Products, LLC,**
Broomfield, CO (US)

(**) Term: **14 Years**

(21) Appl. No.: **29/432,999**

(22) Filed: **Sep. 24, 2012**

(51) **LOC (9) Cl.** **10-05**

(52) **U.S. Cl.**
USPC **D10/114.2**

(58) **Field of Classification Search**
USPC D10/114.1, 114.2, 114.9; D26/37,
D26/40; 340/815.45

See application file for complete search history.

(56) **References Cited**

U.S. PATENT DOCUMENTS

D513,477 S * 1/2006 Heftman D10/111
D617,022 S * 6/2010 Kung D26/37
D669,807 S * 10/2012 Stein D10/114.2
2005/0110649 A1 * 5/2005 Fredericks et al. 340/815.45

* cited by examiner

Primary Examiner — George D Kirschbaum

(74) *Attorney, Agent, or Firm* — Holland & Hart

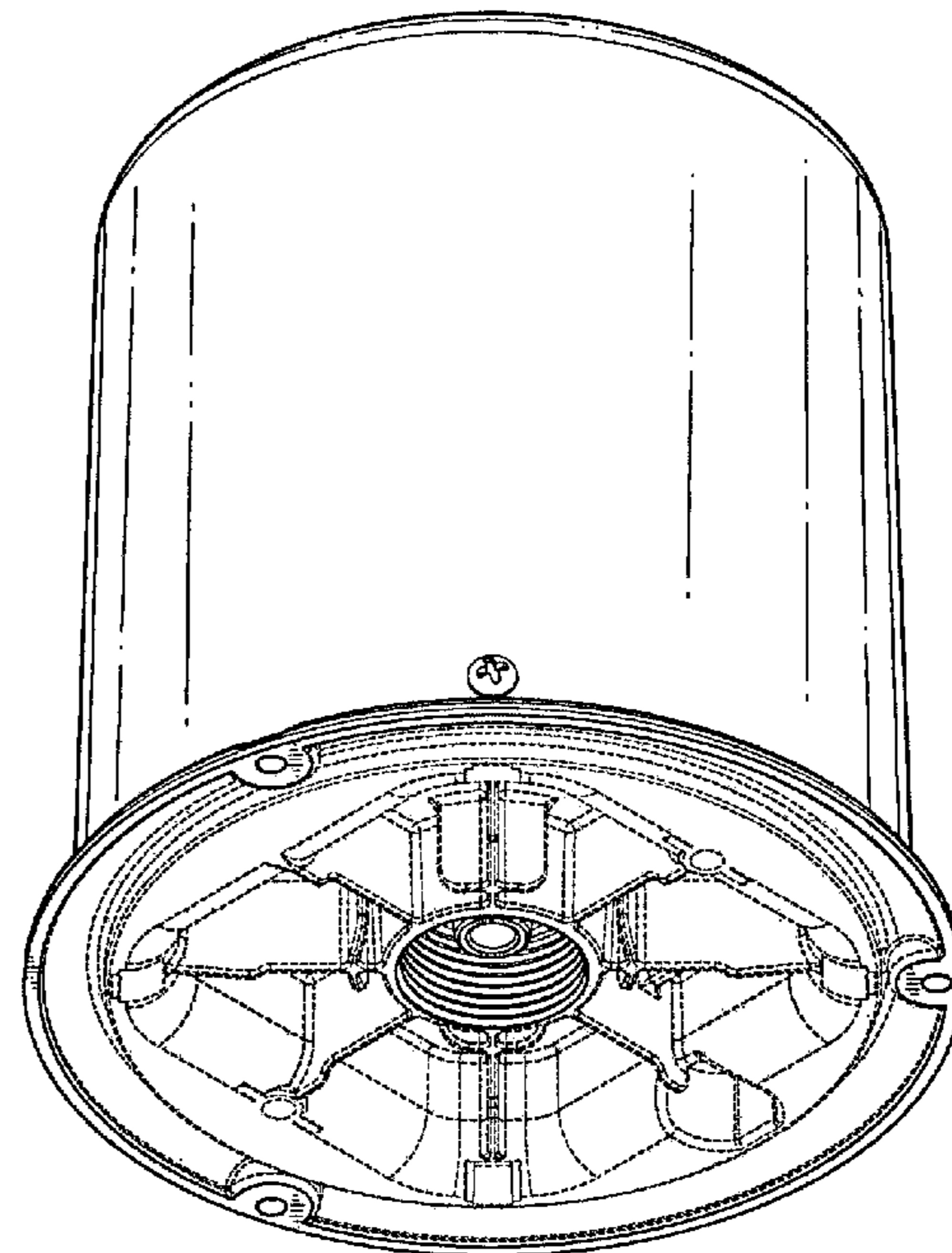
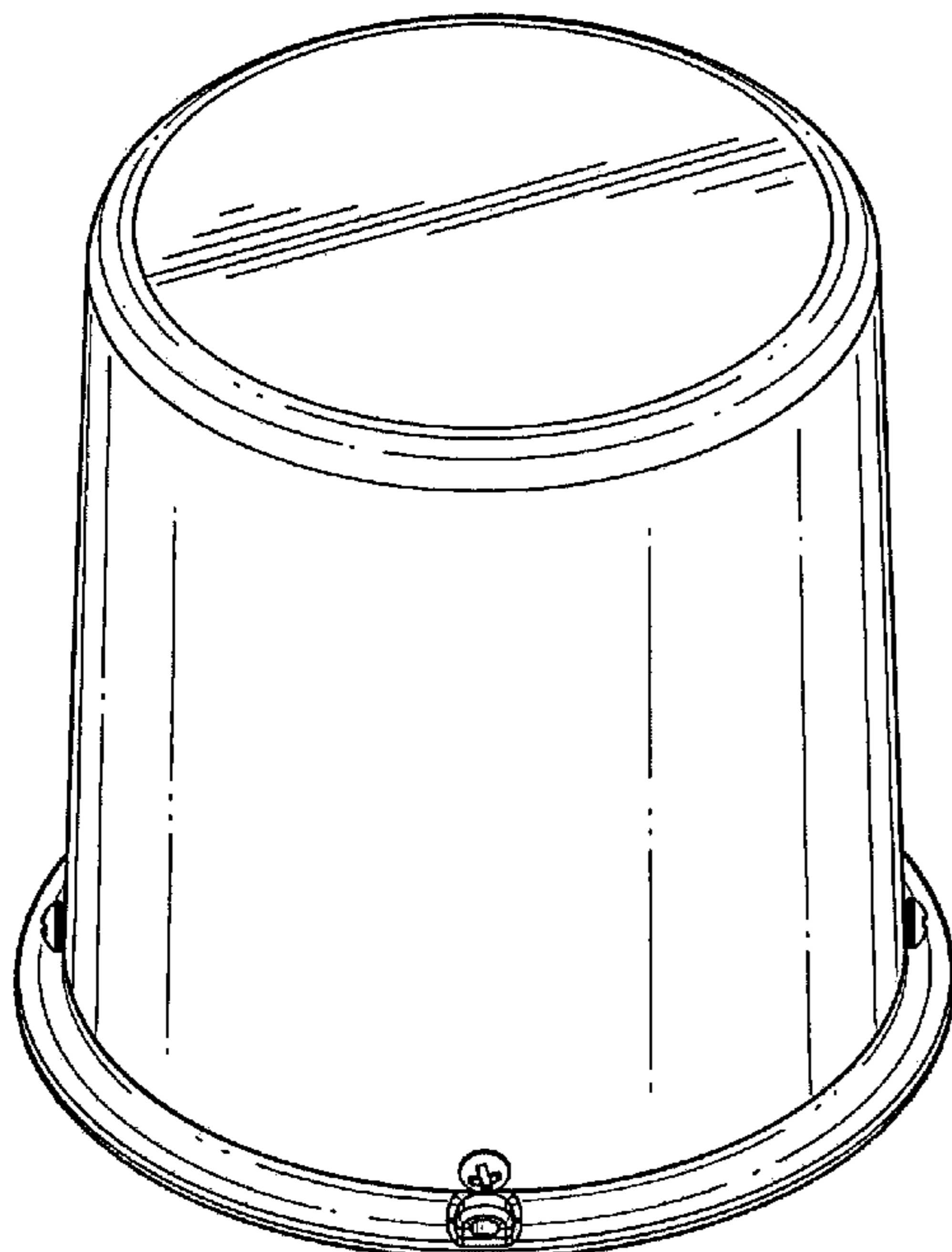
(57) **CLAIM**

The ornamental design for an LED strobe light, as shown and described.

DESCRIPTION

FIG. 1 is a perspective view of an LED strobe light in accordance with the present disclosure;
FIG. 2 is another perspective view thereof;
FIG. 3 is a top view thereof;
FIG. 4 is a bottom view thereof;
FIG. 5 is a front view thereof;
FIG. 6 is a rear view thereof;
FIG. 7 is a right side view thereof;
FIG. 8 is a left side view thereof;
FIG. 9 is a front exploded perspective view thereof; and,
FIG. 10 is a rear exploded perspective view thereof.
The broken lines shown in the drawings are for illustrative purposes only and form no part of the claimed design.

1 Claim, 7 Drawing Sheets



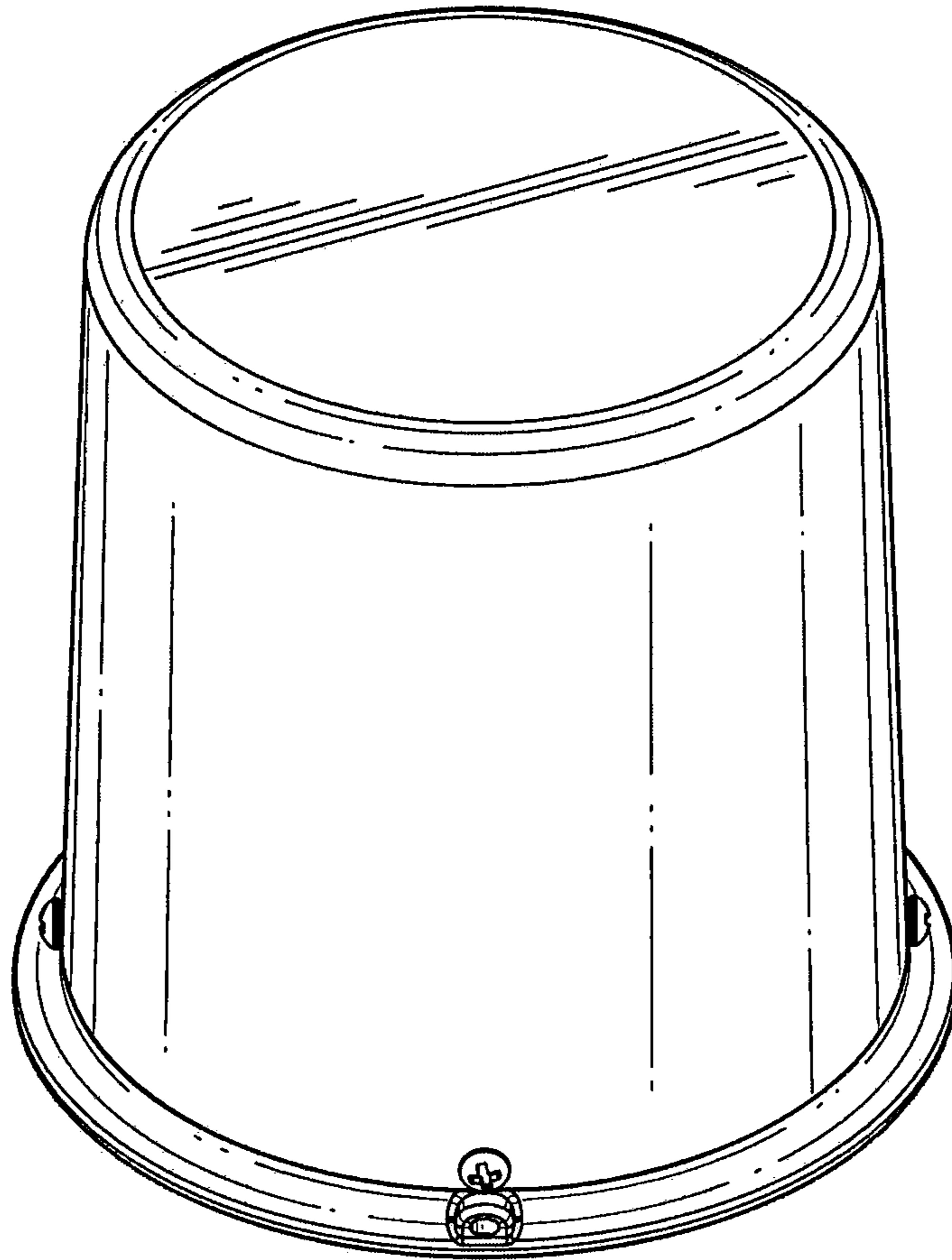


FIG. 1

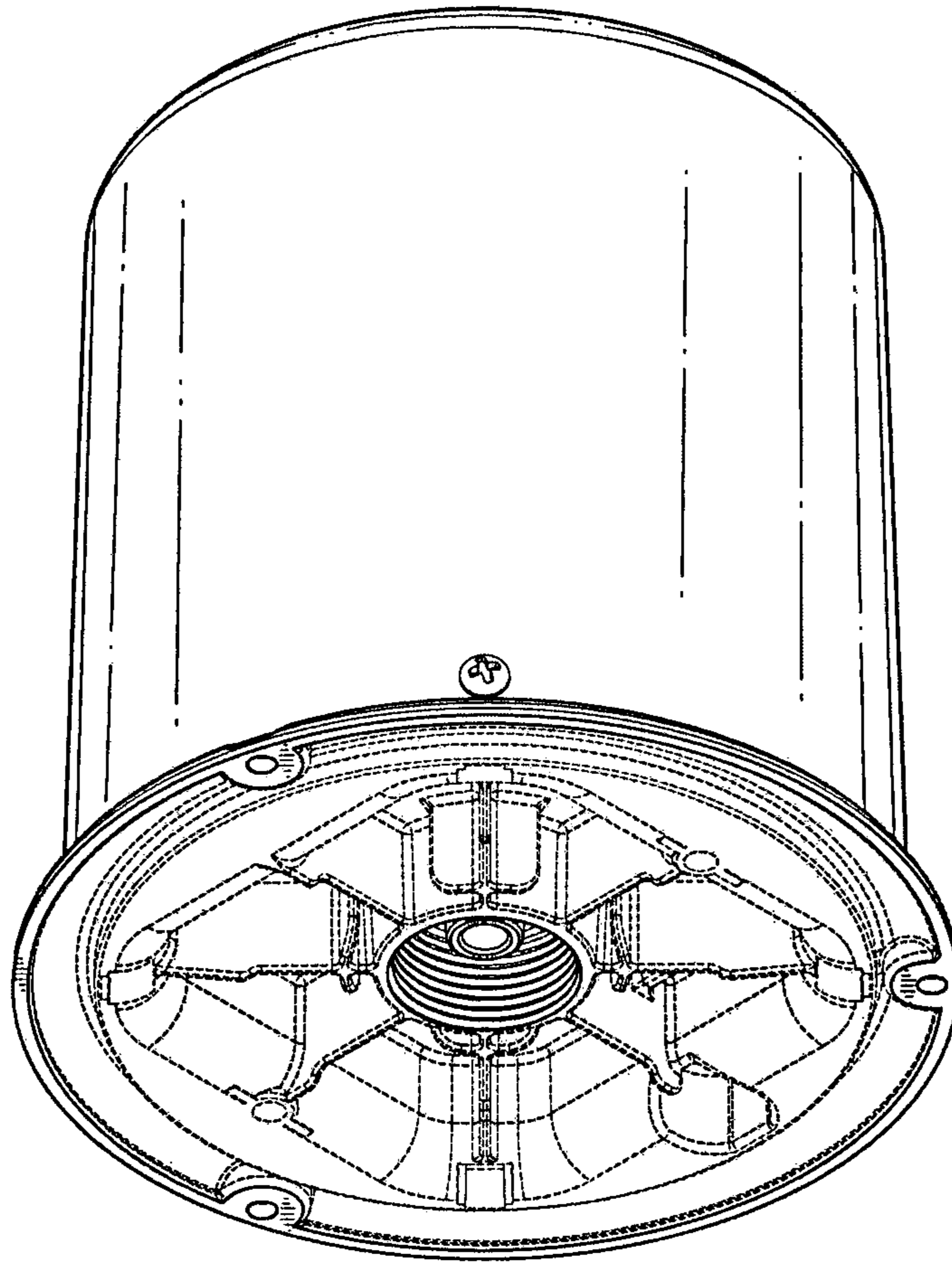


FIG. 2

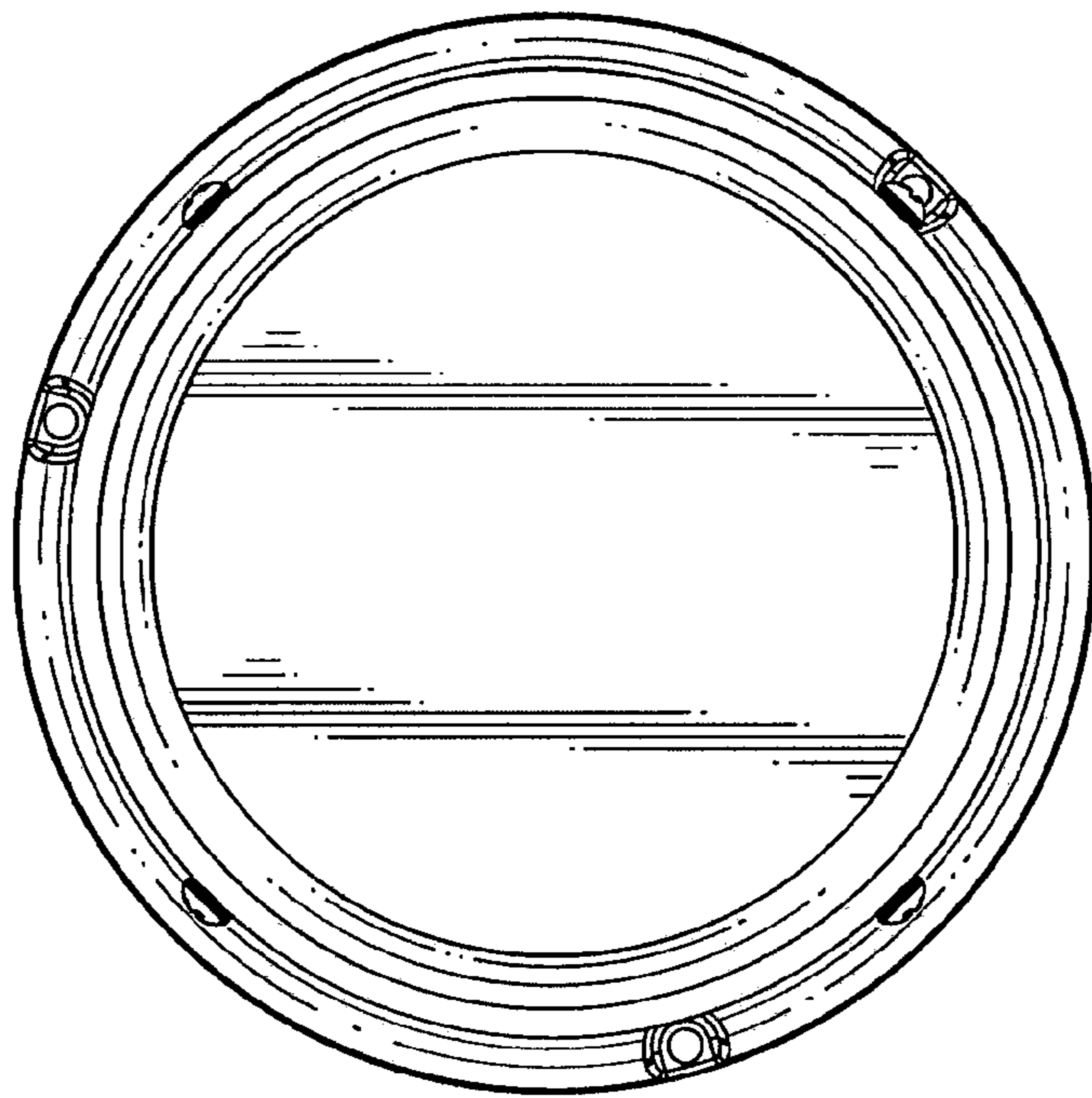


FIG. 3

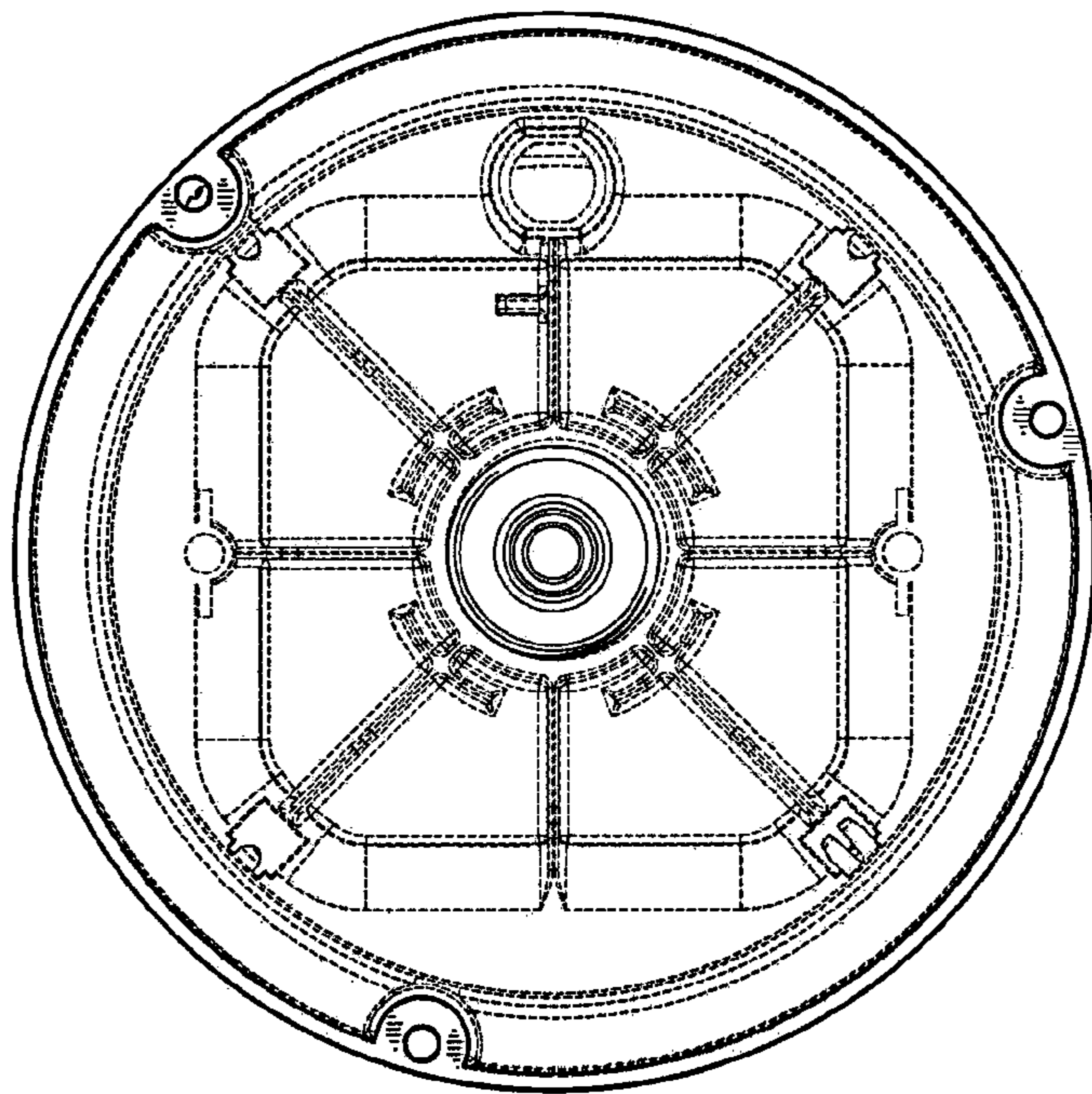


FIG. 4

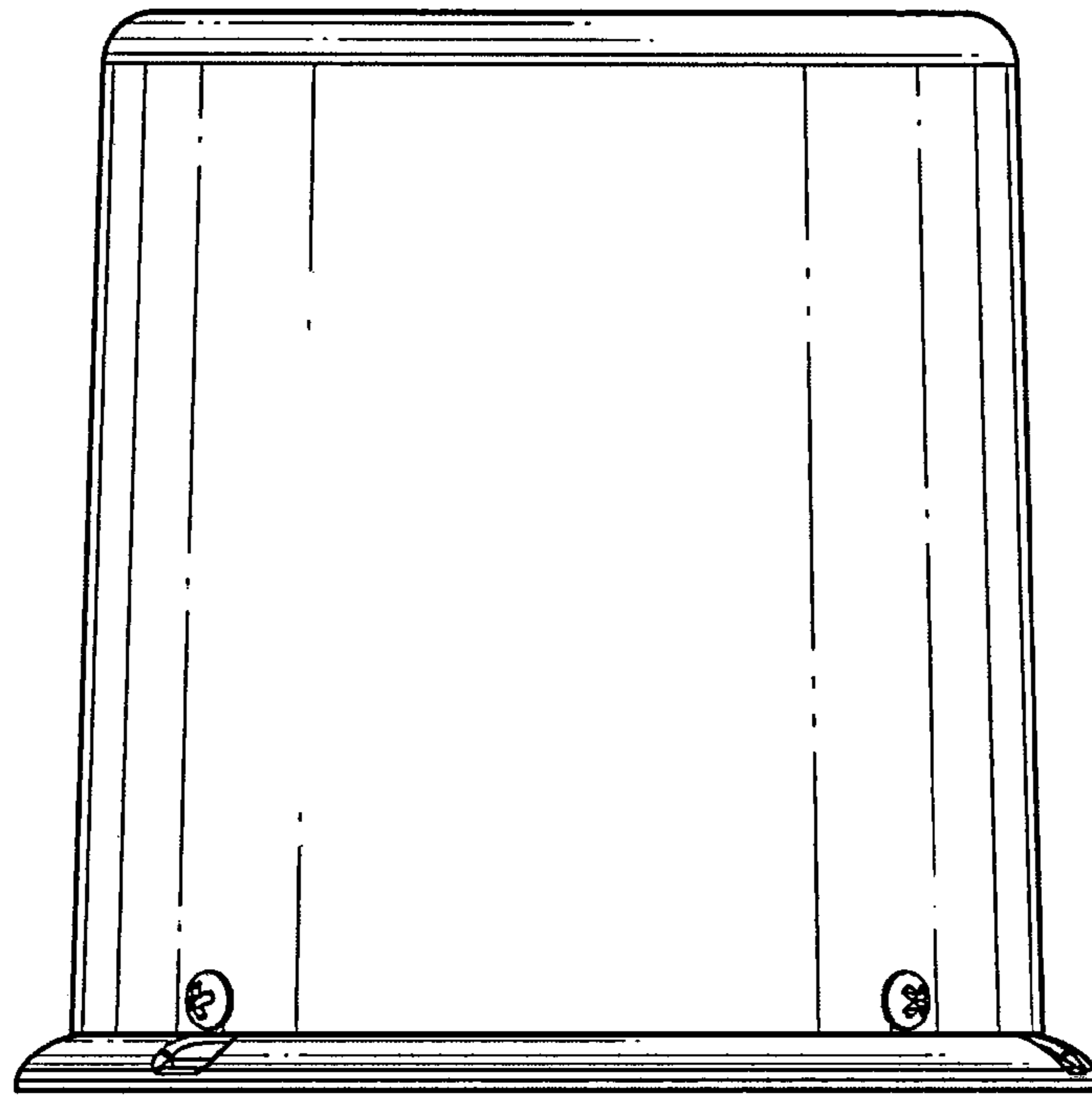


FIG. 5

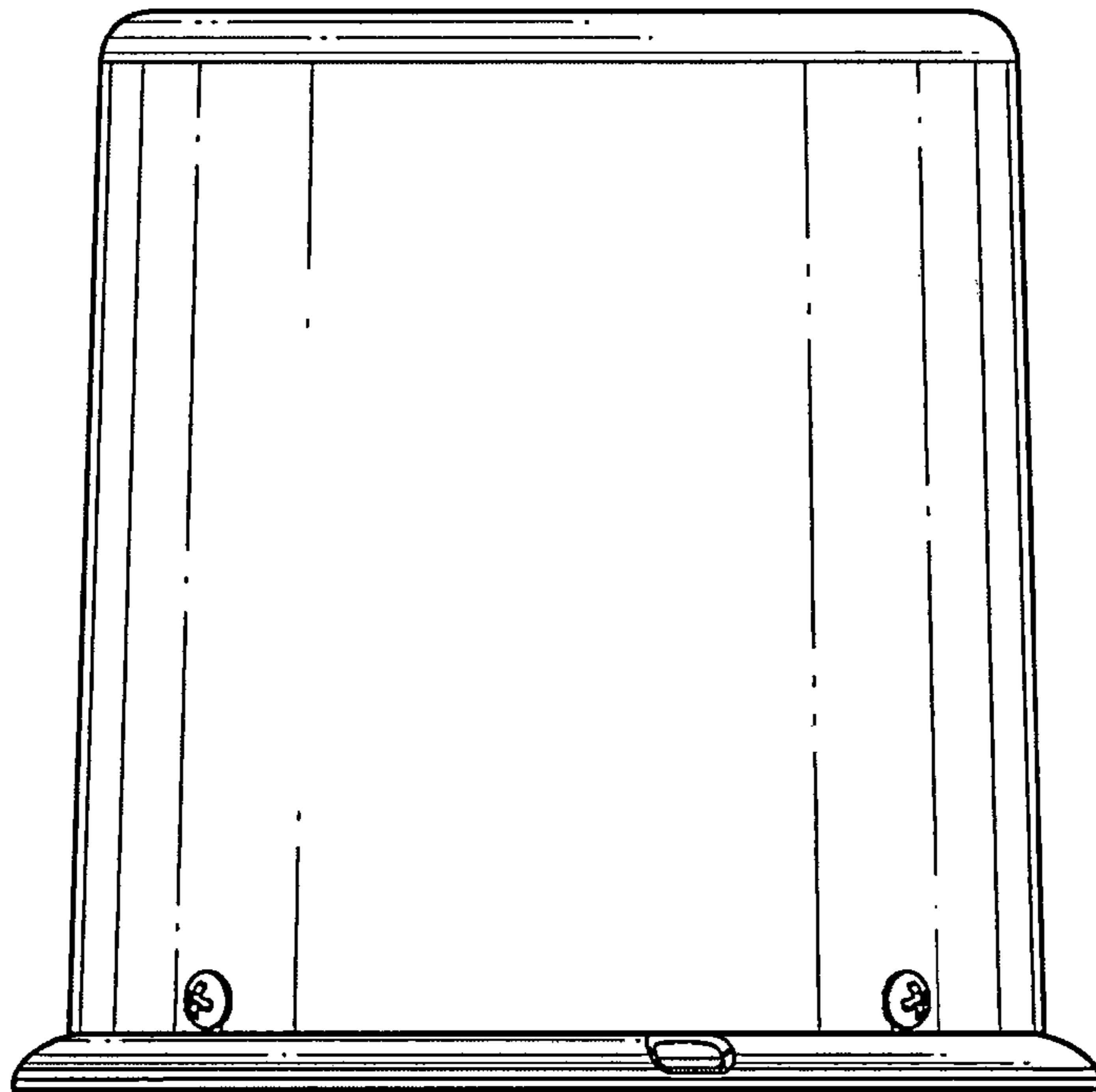


FIG. 6

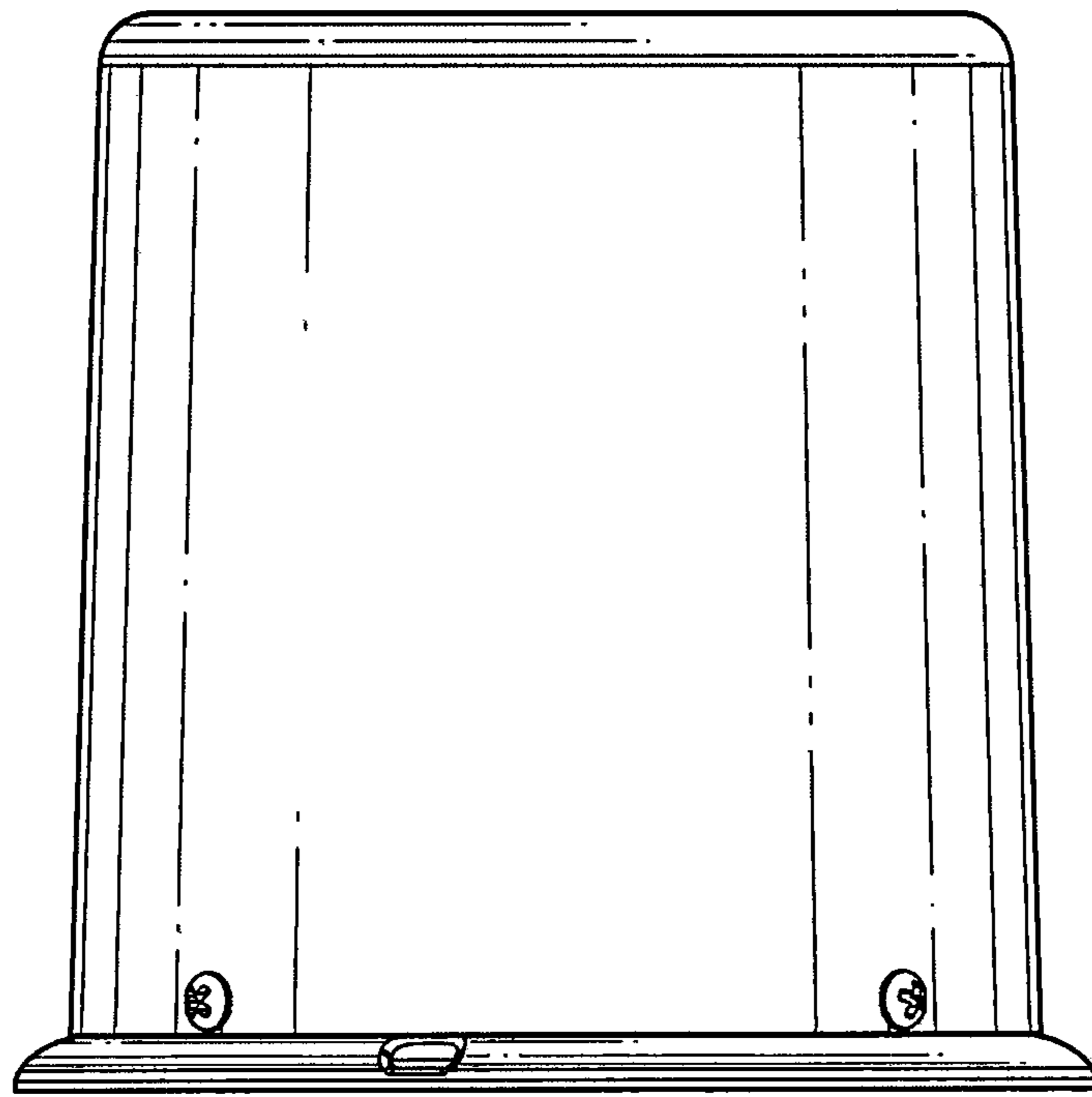


FIG. 7

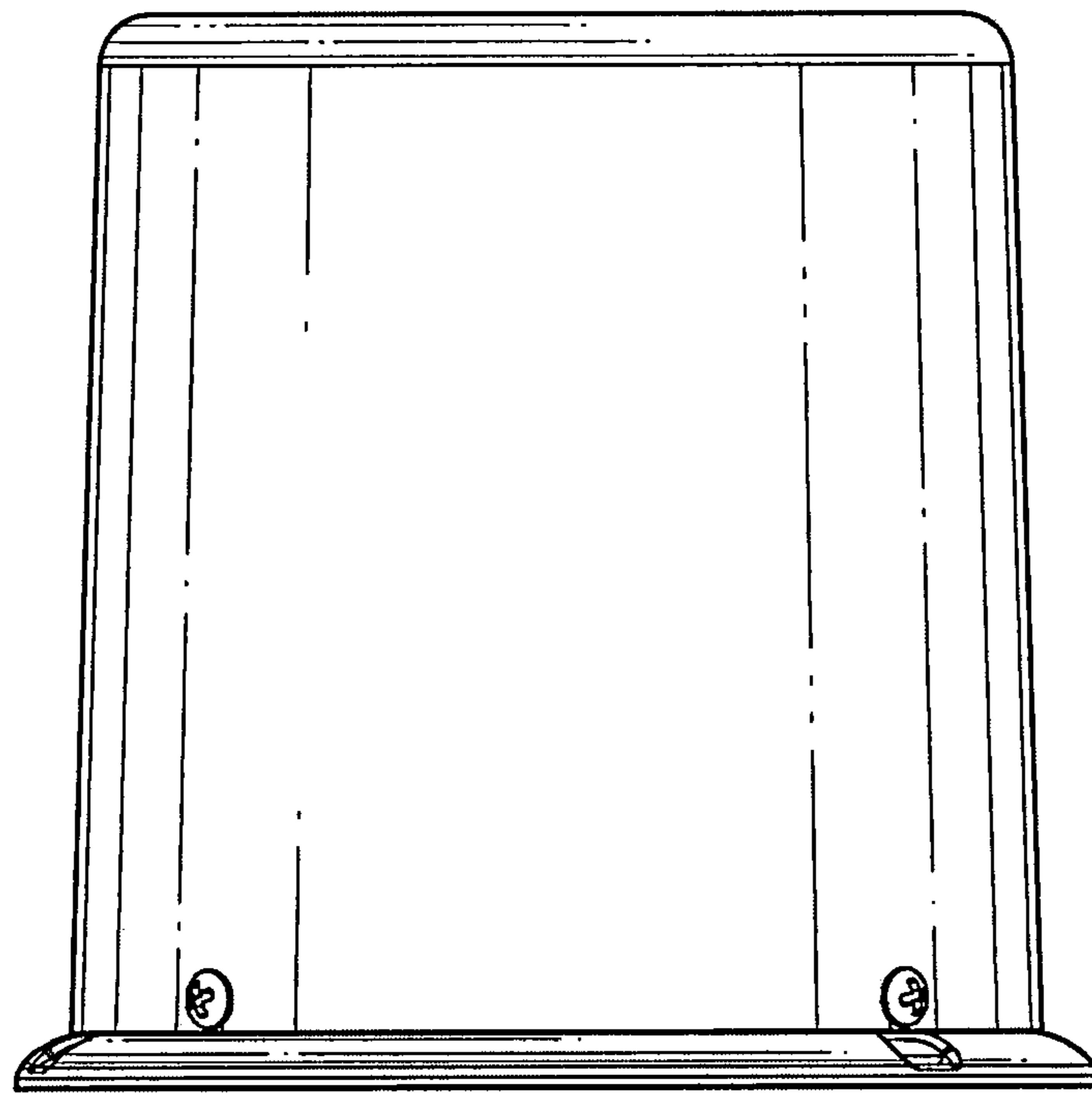


FIG. 8

