



US00D684077S

(12) **United States Design Patent**
Clifford et al.

(10) **Patent No.:** **US D684,077 S**

(45) **Date of Patent:** **** Jun. 11, 2013**

(54) **BARRICADE LIGHT**

(71) Applicant: **Checkers Industrial Products, LLC**,
Broomfield, CO (US)

(72) Inventors: **Scott Clifford**, Mesa, AZ (US); **Steven Brundula**, Chandler, AZ (US)

(73) Assignee: **Checkers Industrial Products, LLC**,
Broomfield, CO (US)

(**) Term: **14 Years**

(21) Appl. No.: **29/432,994**

(22) Filed: **Sep. 24, 2012**

(51) **LOC (9) Cl.** **10-05**

(52) **U.S. Cl.**
USPC **D10/114.1**

(58) **Field of Classification Search**
USPC .. D10/114.1; 340/331; 362/145, 183; D26/28
See application file for complete search history.

(56) **References Cited**

U.S. PATENT DOCUMENTS

3,500,378 A * 3/1970 Pickering 340/331
D333,797 S * 3/1993 Lu D10/114.1
D355,270 S * 2/1995 Spencer D26/28

D498,315 S * 11/2004 Campagna D26/28
8,157,405 B1 * 4/2012 Schlanger et al. 362/183
2005/0128736 A1 * 6/2005 Frick 362/145

* cited by examiner

Primary Examiner — George D Kirschbaum

(74) *Attorney, Agent, or Firm* — Holland & Hart

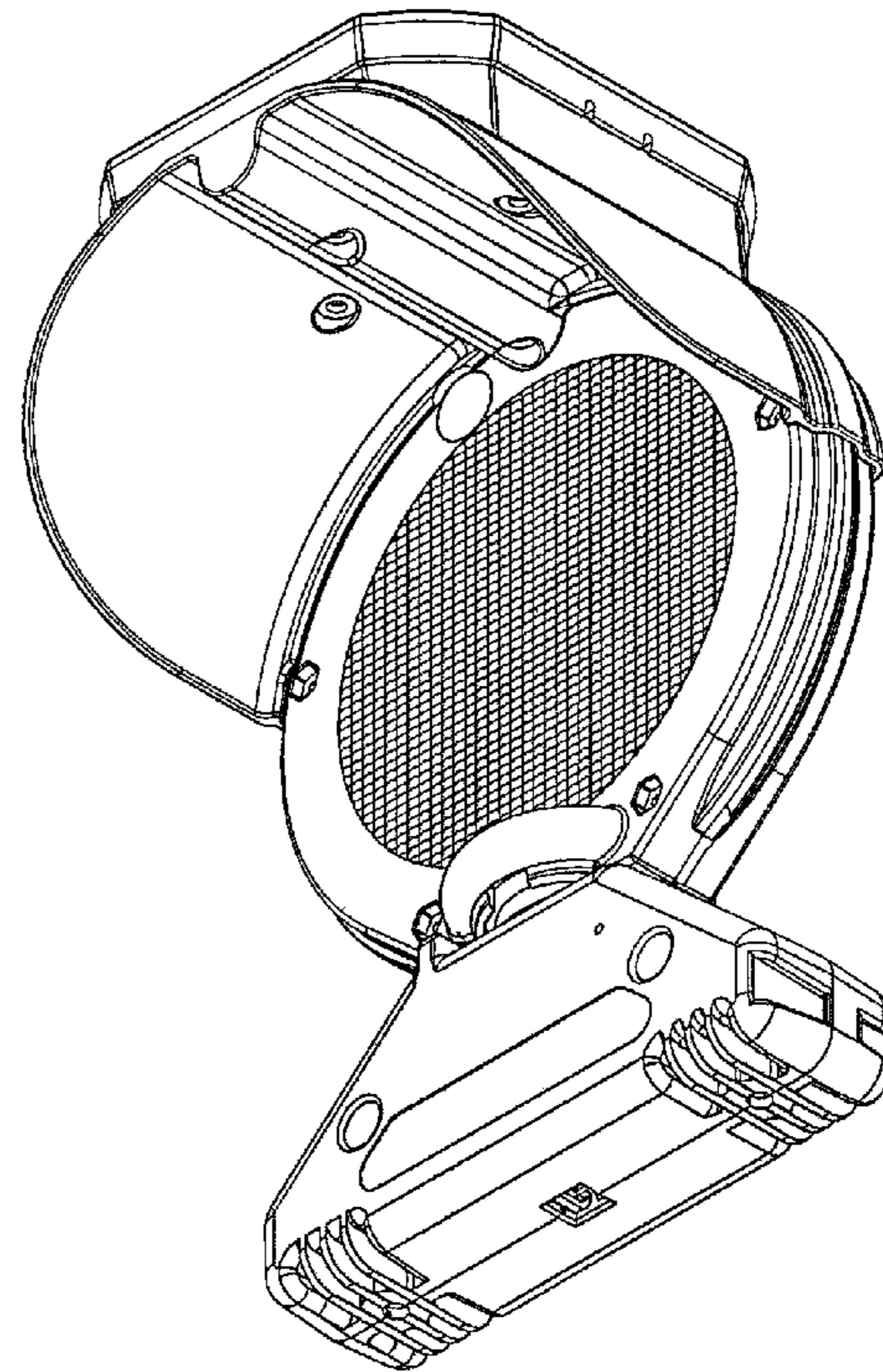
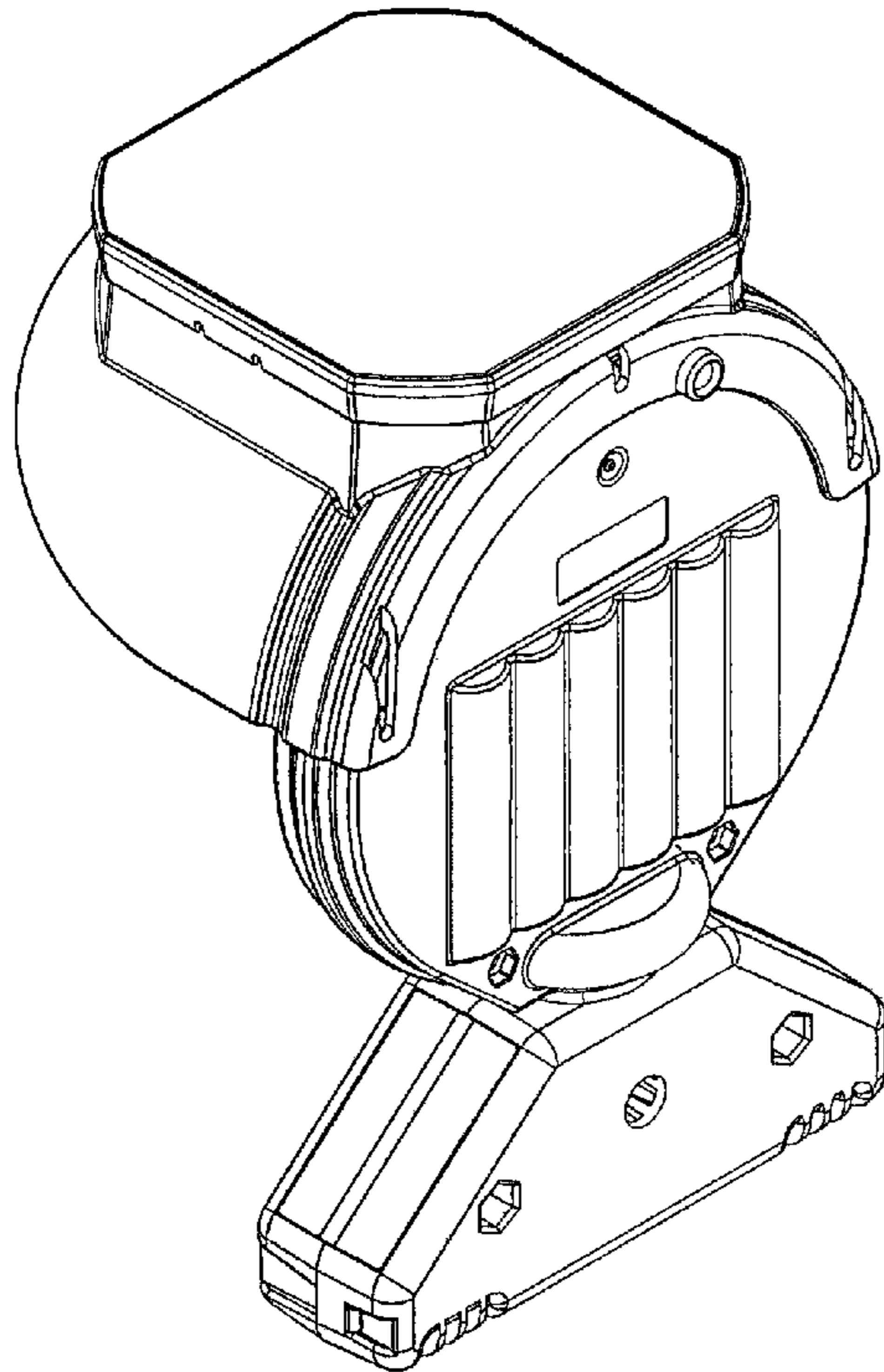
(57) **CLAIM**

The ornamental design for a barricade light, as shown and described.

DESCRIPTION

FIG. 1 is a rear perspective view of a barricade light showing our new design;
FIG. 2 is a front perspective view thereof;
FIG. 3 is a rear view thereof;
FIG. 4 is a top view thereof;
FIG. 5 is a front view thereof;
FIG. 6 is a bottom view thereof;
FIG. 7 is a right side view thereof;
FIG. 8 is a left side view thereof;
FIG. 9 is a front exploded perspective view thereof; and,
FIG. 10 is a rear exploded perspective view thereof.

1 Claim, 5 Drawing Sheets



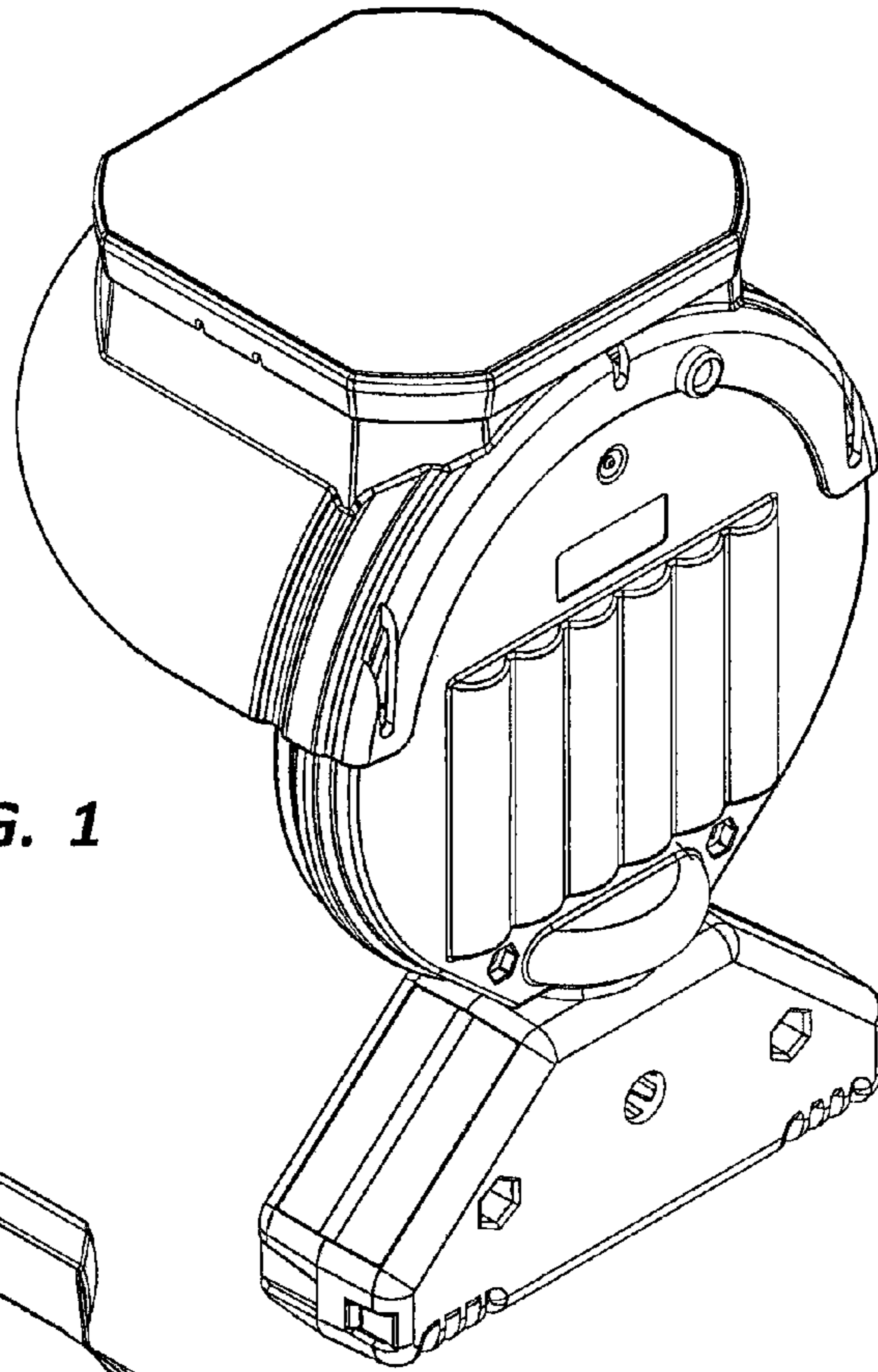


FIG. 1

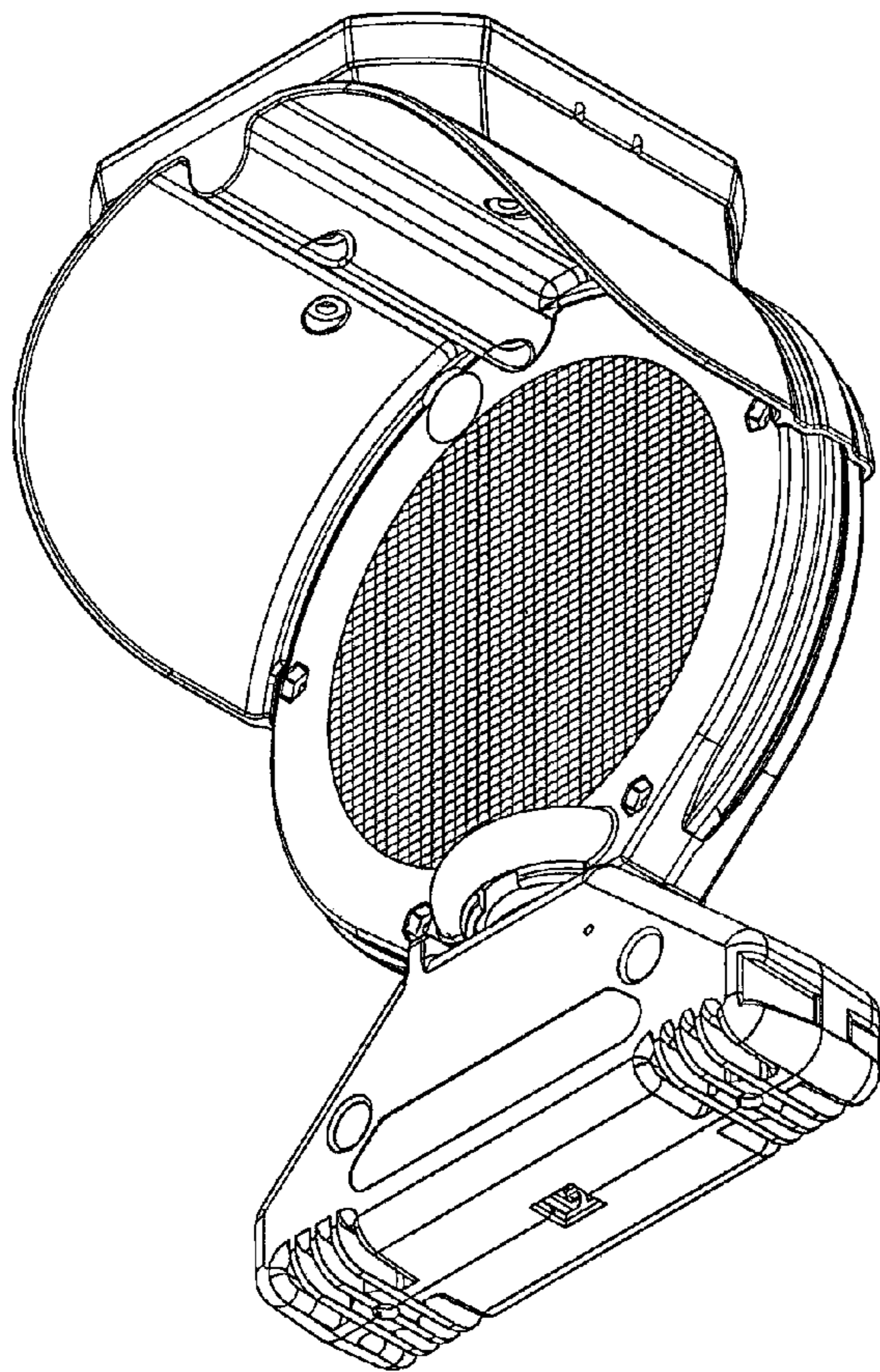


FIG. 2

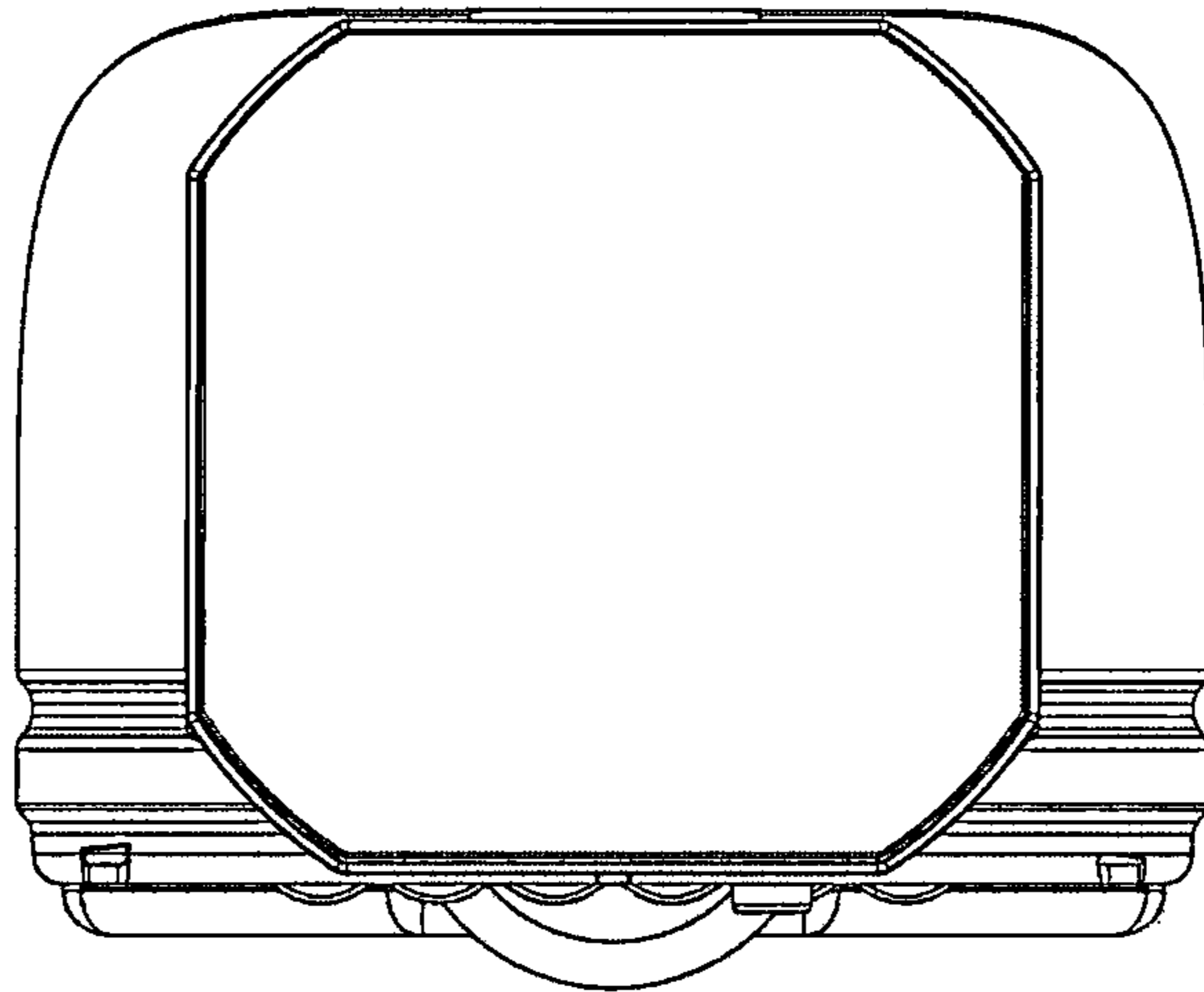


FIG. 4

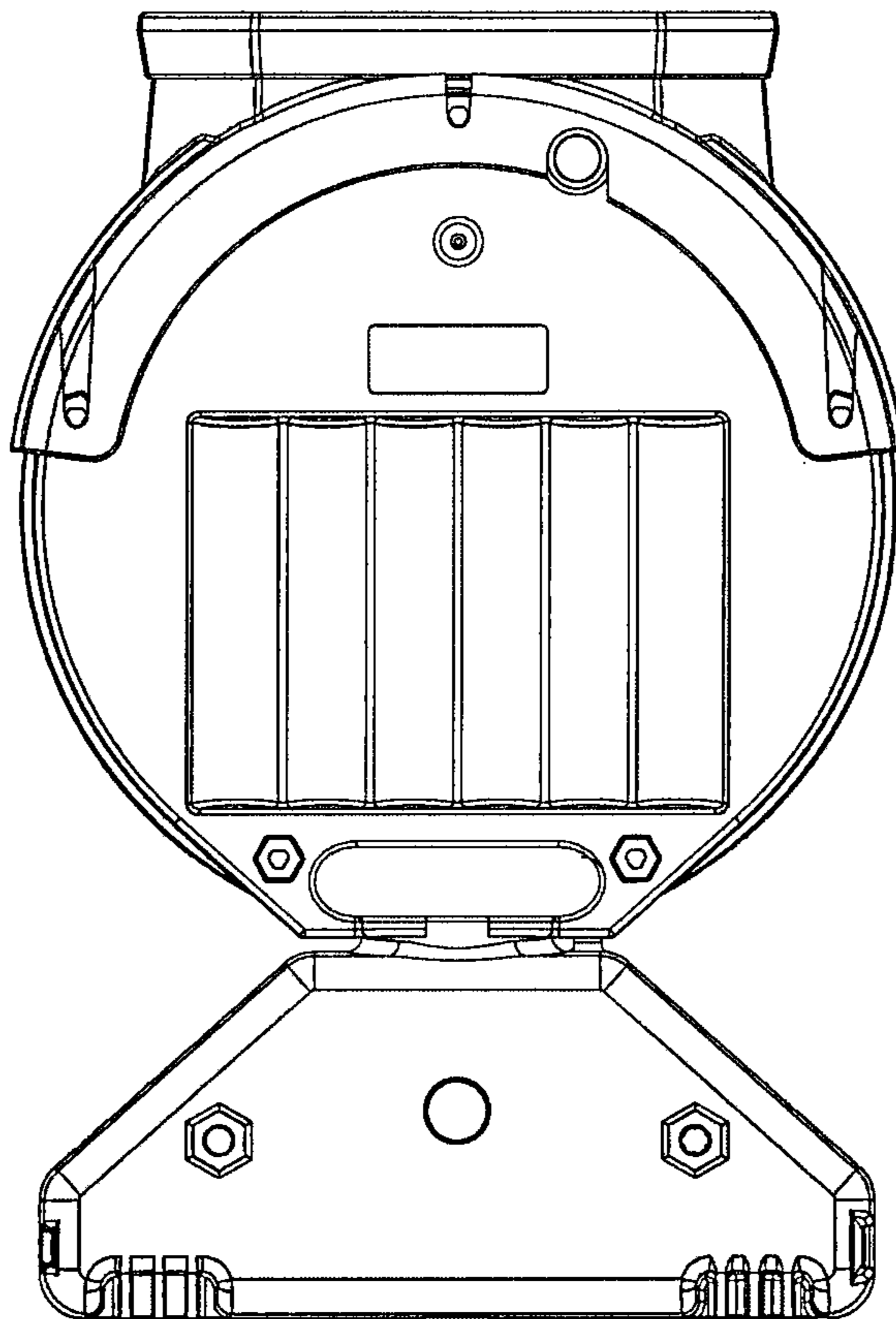


FIG. 3

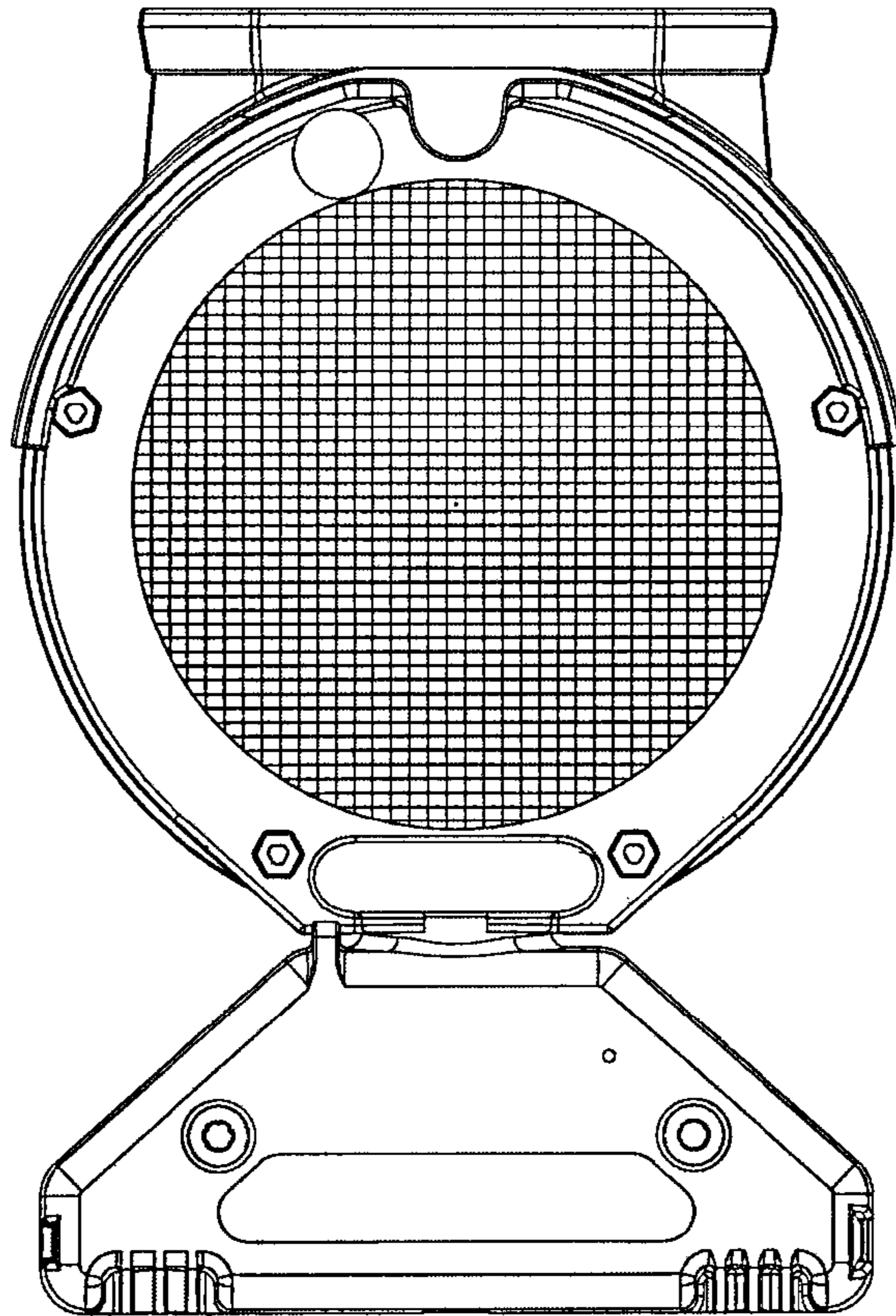


FIG. 5

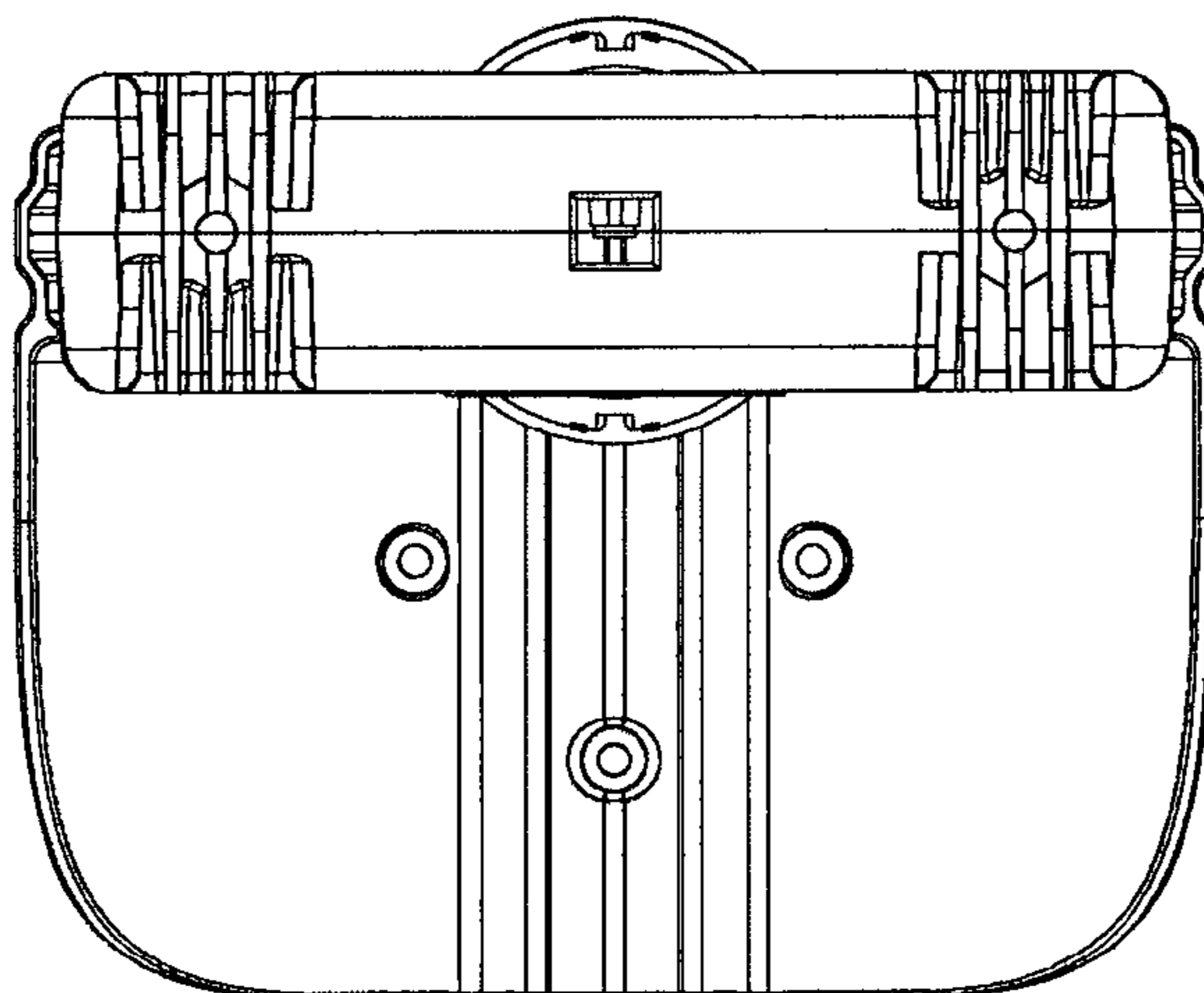


FIG. 6

FIG. 7

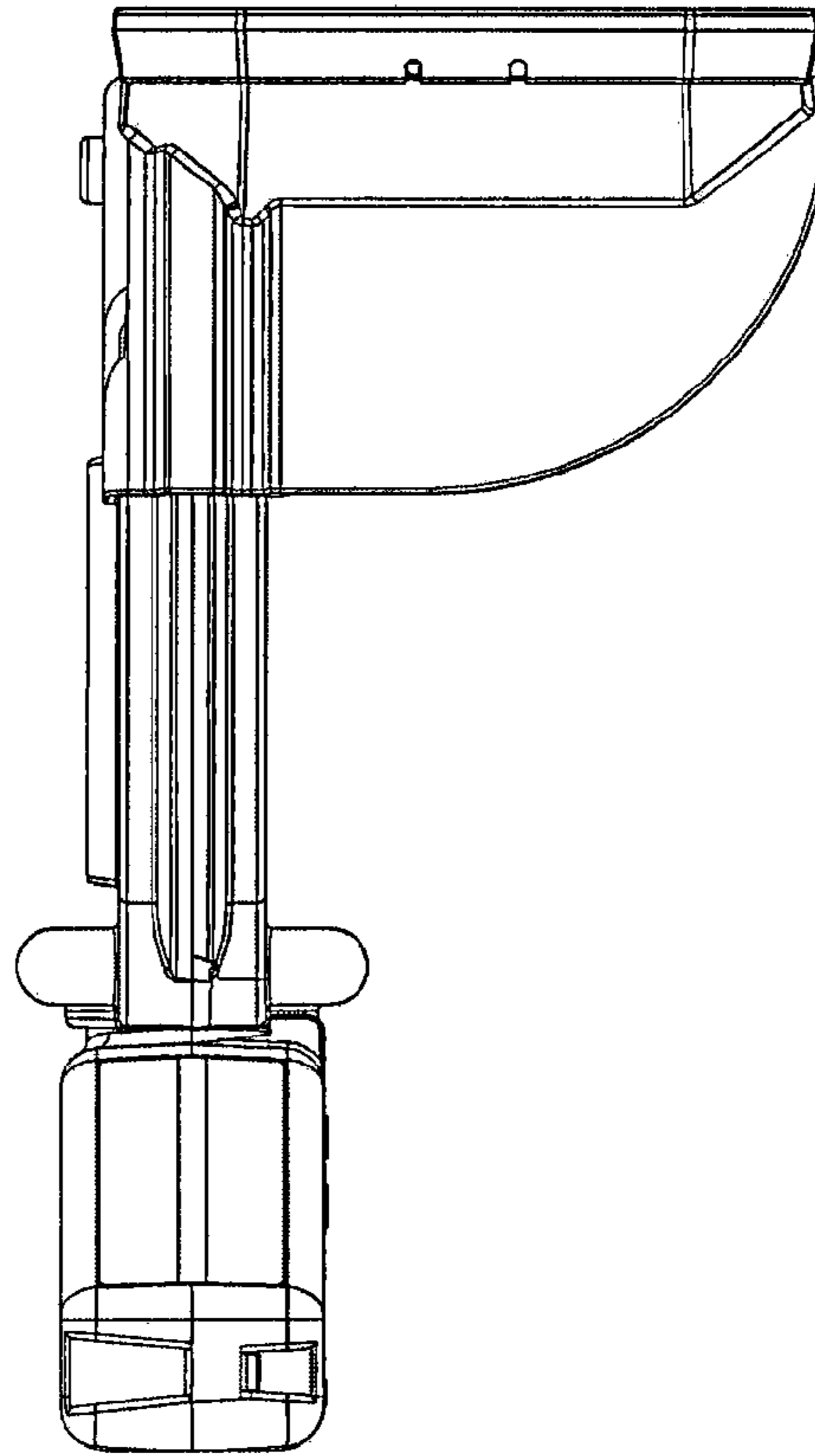
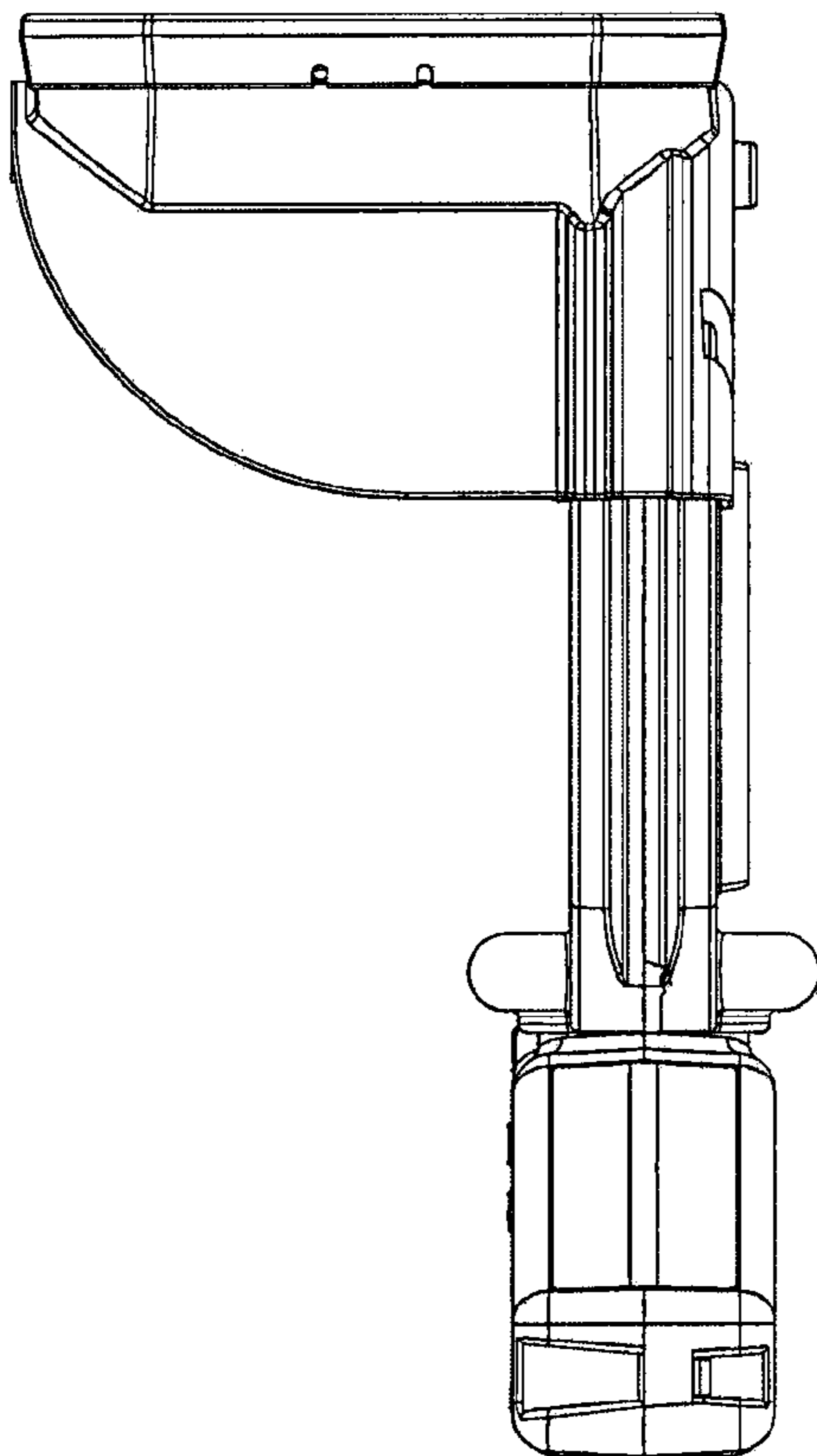


FIG. 8



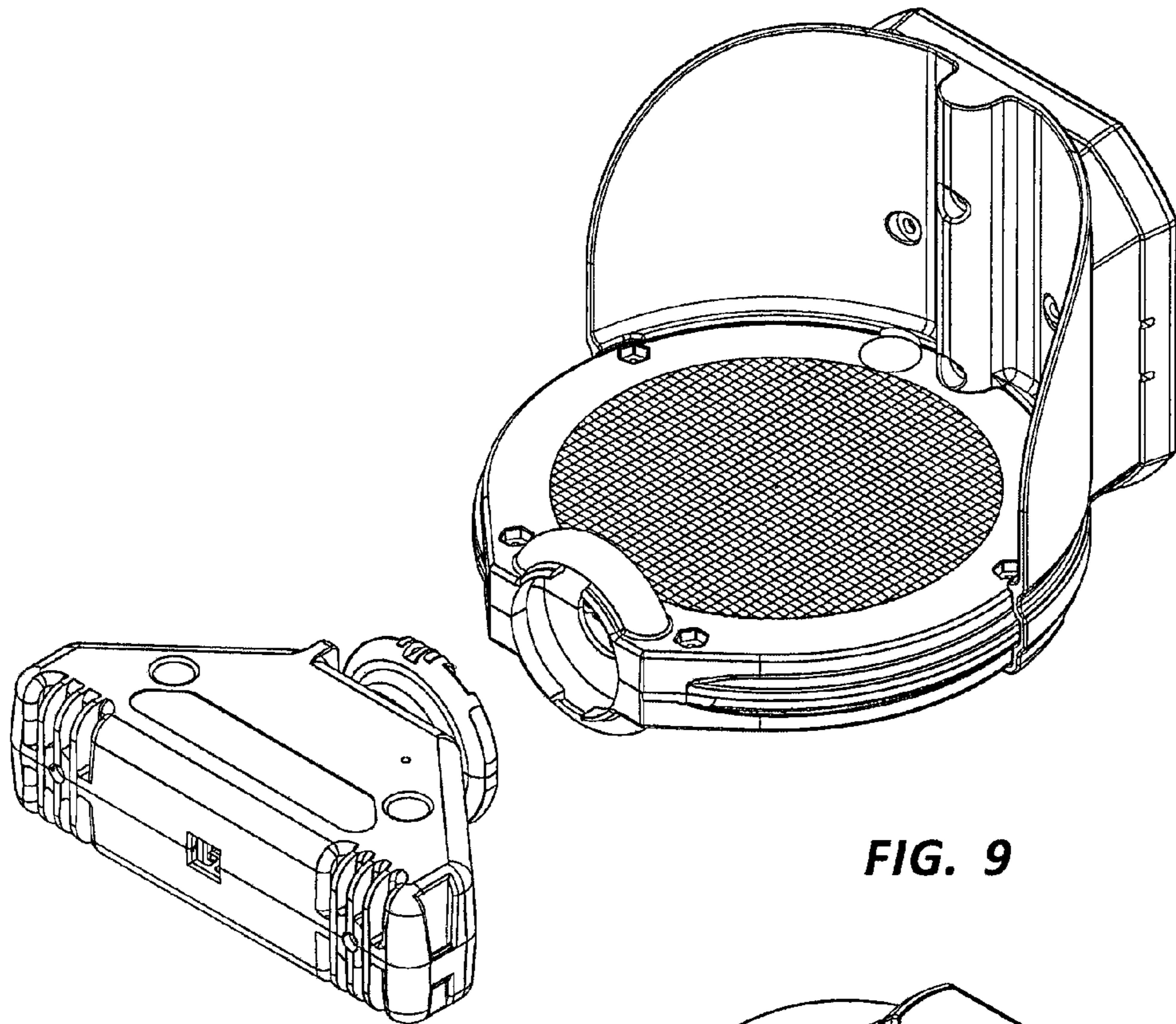


FIG. 9

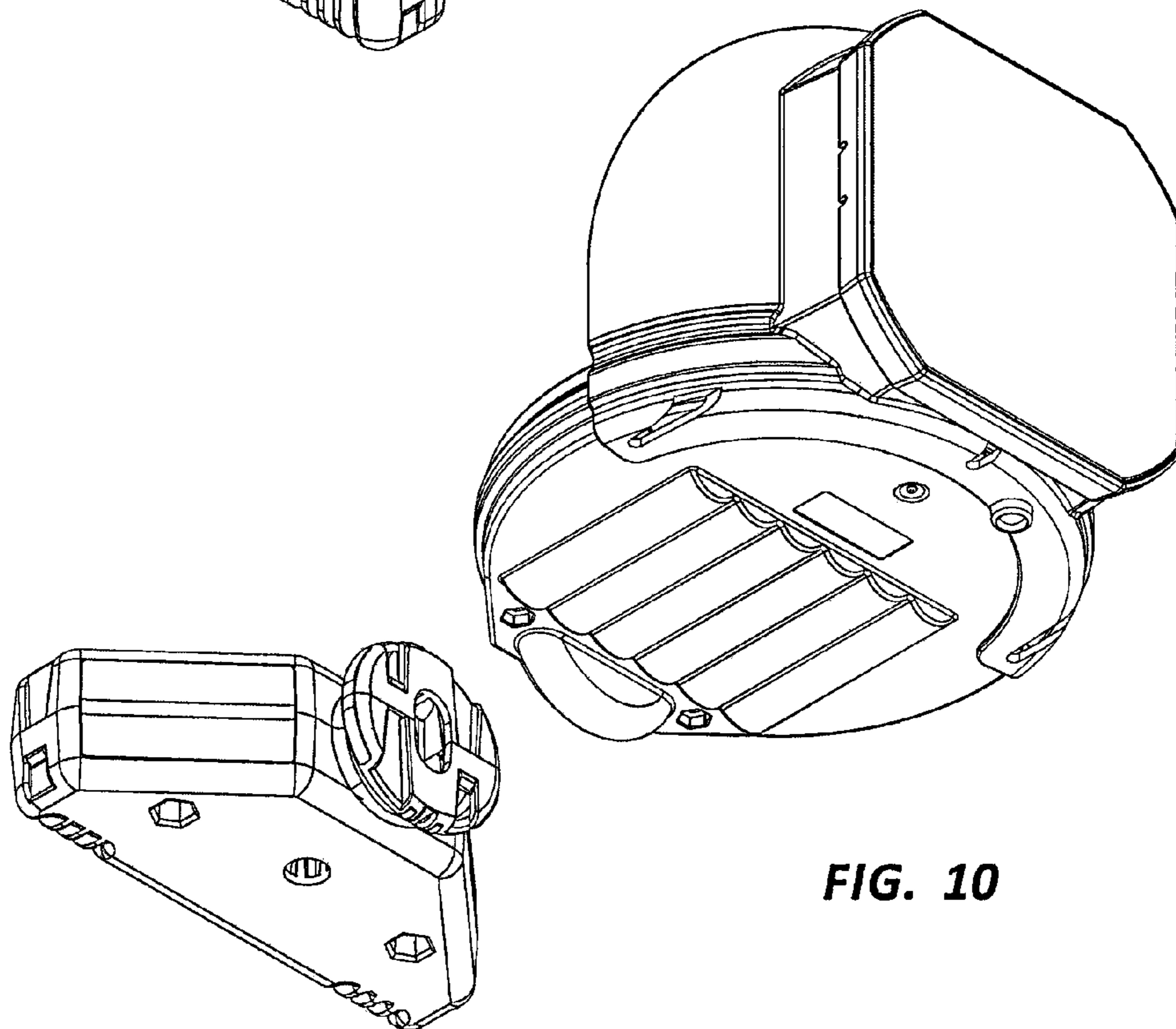


FIG. 10