



US00D684074S

(12) **United States Design Patent**  
**Wei**

(10) **Patent No.:** **US D684,074 S**  
(45) **Date of Patent:** **\*\* Jun. 11, 2013**

(54) **CLAMP METER**

(75) Inventor: **Huang Wei**, Shanghai (CN)

(73) Assignee: **Fluke Corporation**, Everett, WA (US)

(\*\*) Term: **14 Years**

(21) Appl. No.: **29/413,119**

(22) Filed: **Feb. 10, 2012**

(30) **Foreign Application Priority Data**

Feb. 7, 2012 (CN) ..... 2012 3 0023479

(51) **LOC (9) Cl.** ..... **10-04**

(52) **U.S. Cl.**  
USPC ..... **D10/79**

(58) **Field of Classification Search**  
USPC ..... D10/79; 324/72.5, 556, 133, 149,  
324/503, 543, 555, 66, 72, 754, 115, 141,  
324/116, 126, 127, 156; 340/635, 687; 439/822,  
439/858

See application file for complete search history.

(56) **References Cited**

**U.S. PATENT DOCUMENTS**

D457,451 S \* 5/2002 Chen ..... D10/79  
D467,190 S \* 12/2002 Ikeda et al. .... D10/79

(Continued)

*Primary Examiner* — Antoine D Davis

(74) *Attorney, Agent, or Firm* — Perkins Coie LLP

(57) **CLAIM**

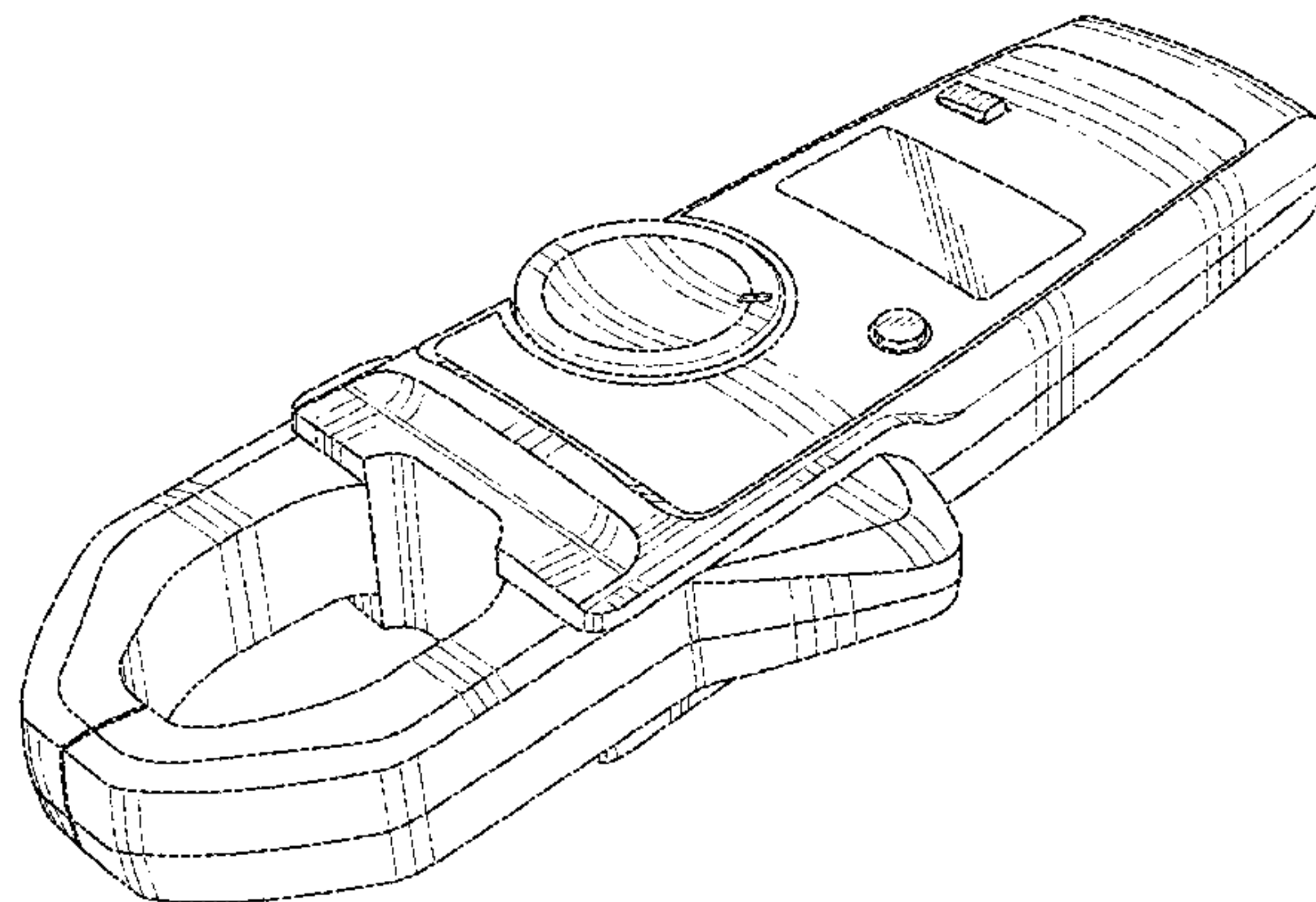
The ornamental design for a clamp meter, as shown.

**DESCRIPTION**

FIG. 1 is a perspective view of a clamp meter.  
FIG. 2 is a front plan view thereof.  
FIG. 3 is a back plan view thereof.  
FIG. 4 is a left view thereof.  
FIG. 5 is a right view thereof.

FIG. 6 is a top view thereof.  
FIG. 7 is a bottom view thereof.  
FIG. 8 is a perspective view of a second embodiment of a clamp meter.  
FIG. 9 is a front plan view thereof.  
FIG. 10 is a back plan view thereof.  
FIG. 11 is a left view thereof.  
FIG. 12 is a right view thereof.  
FIG. 13 is a top view thereof.  
FIG. 14 is a bottom view thereof.  
FIG. 15 is a perspective view of a third embodiment of a clamp meter.  
FIG. 16 is a front plan view thereof.  
FIG. 17 is a back plan view thereof.  
FIG. 18 is a left view thereof.  
FIG. 19 is a right view thereof.  
FIG. 20 is a top view thereof.  
FIG. 21 is a bottom view thereof.  
FIG. 22 is a perspective view of a fourth embodiment of a clamp meter.  
FIG. 23 is a front plan view thereof.  
FIG. 24 is a back plan view thereof.  
FIG. 25 is a left view thereof.  
FIG. 26 is a right view thereof.  
FIG. 27 is a top view thereof.  
FIG. 28 is a bottom view thereof.  
FIG. 29 is a perspective view of a fifth embodiment of a clamp meter.  
FIG. 30 is a front plan view thereof.  
FIG. 31 is a back plan view thereof.  
FIG. 32 is a left view thereof.  
FIG. 33 is a right view thereof.  
FIG. 34 is a top view thereof.  
FIG. 35 is a bottom view thereof.  
FIG. 36 is a perspective view of a sixth embodiment of a clamp meter.  
FIG. 37 is a front plan view thereof.  
FIG. 38 is a back plan view thereof.  
FIG. 39 is a left view thereof.  
FIG. 40 is a right view thereof.  
FIG. 41 is a top view thereof; and,  
FIG. 42 is a bottom view thereof.  
The broken lines form no part of the claimed design.

**1 Claim, 24 Drawing Sheets**



# US D684,074 S

Page 2

---

## U.S. PATENT DOCUMENTS

D567,687 S *	4/2008	Elrod .....	D10/79	D642,945 S *	8/2011	Marzynski et al. ....	D10/79
D585,316 S *	1/2009	Chang .....	D10/79	8,159,211 B2 *	4/2012	Wang et al. ....	324/127
D640,152 S *	6/2011	Laurino et al. ....	D10/79	8,330,449 B2 *	12/2012	Greenberg .....	324/127

\* cited by examiner

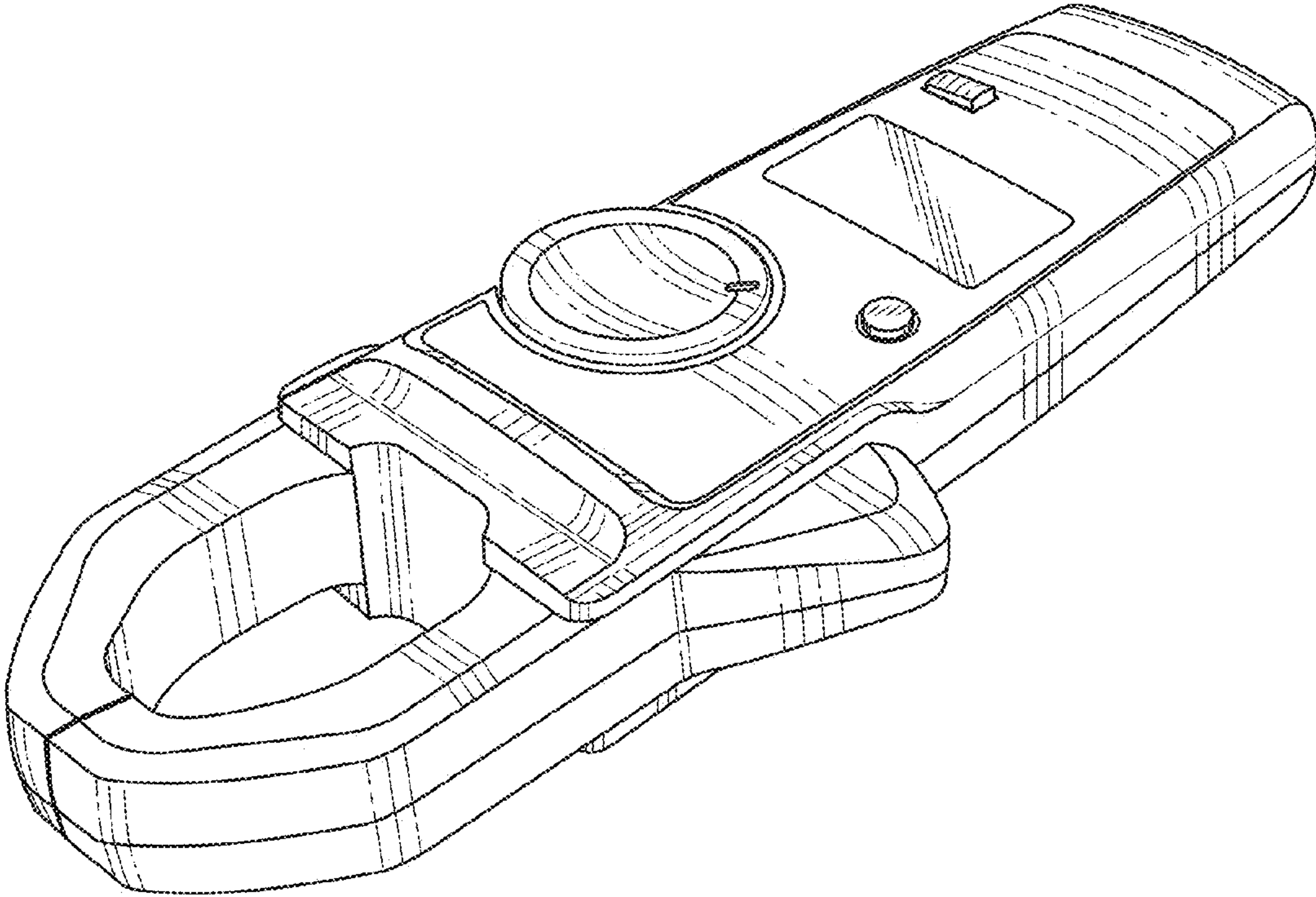


FIG. 1

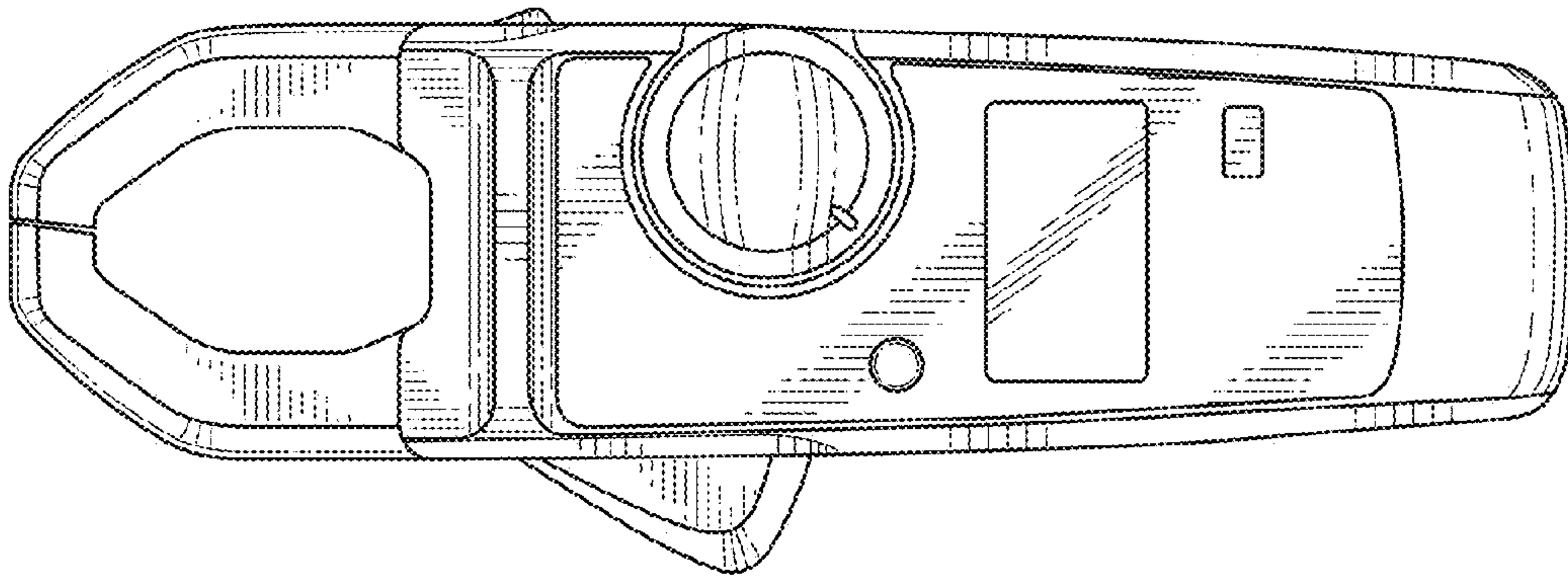


FIG. 2

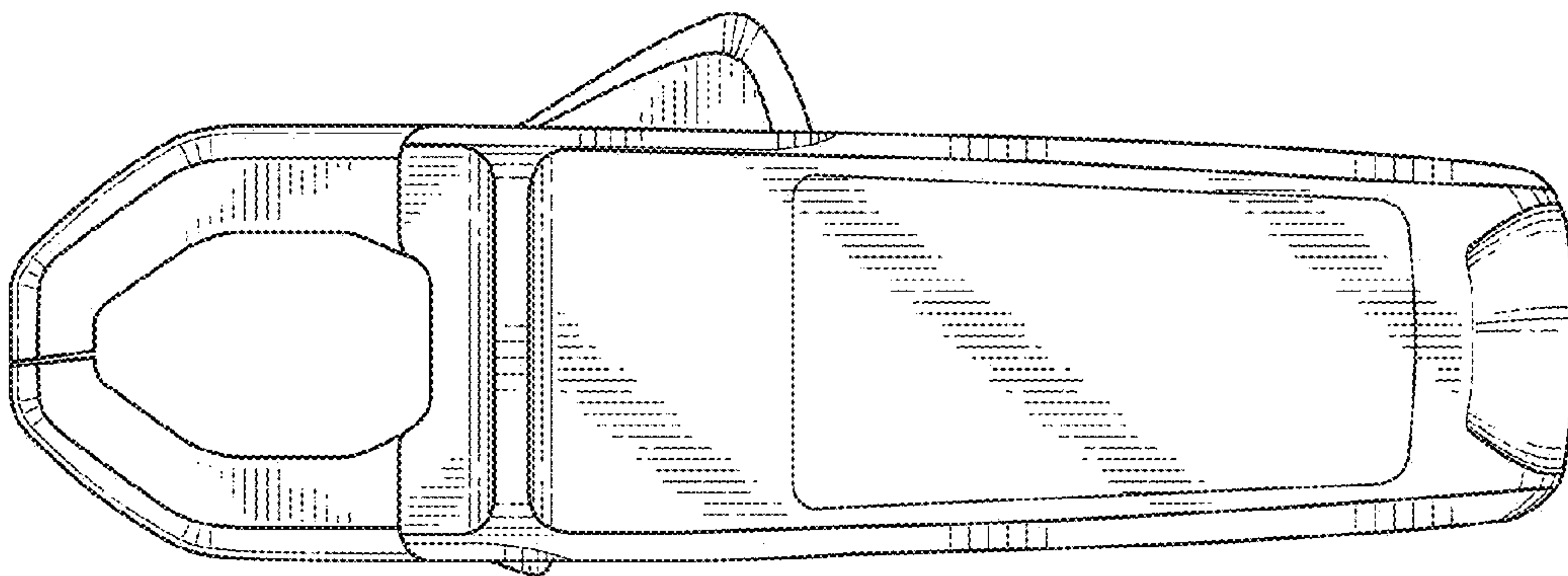


FIG. 3



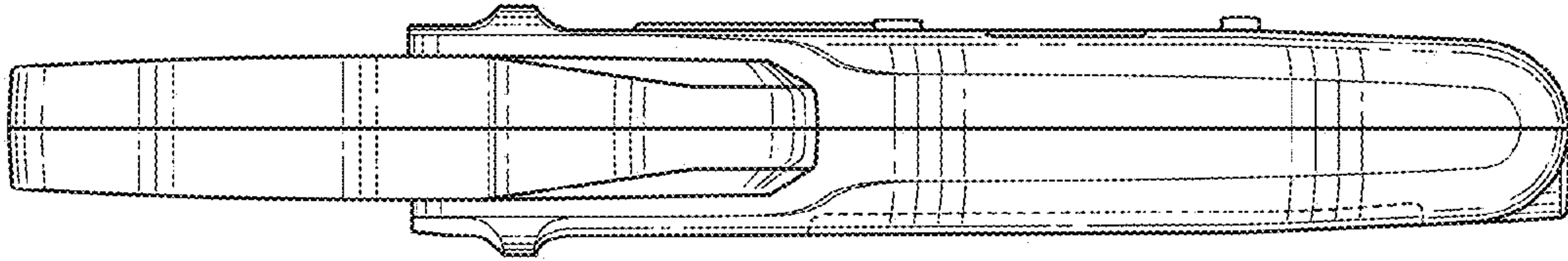


FIG. 4

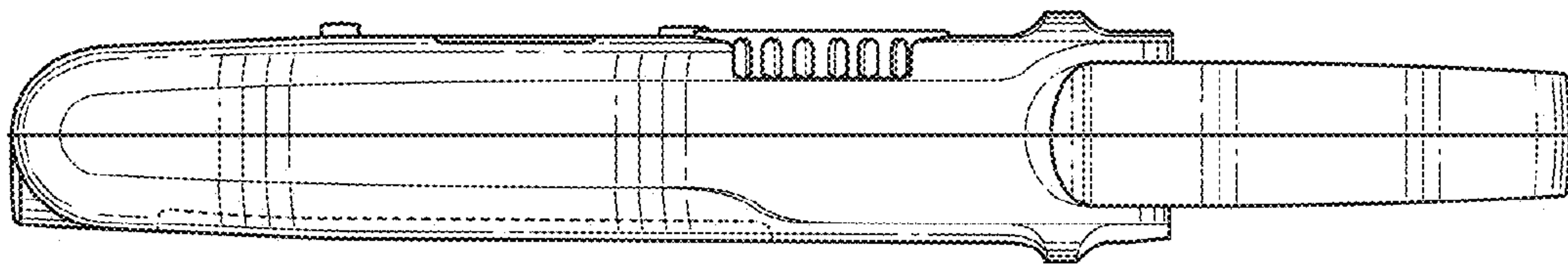


FIG. 5

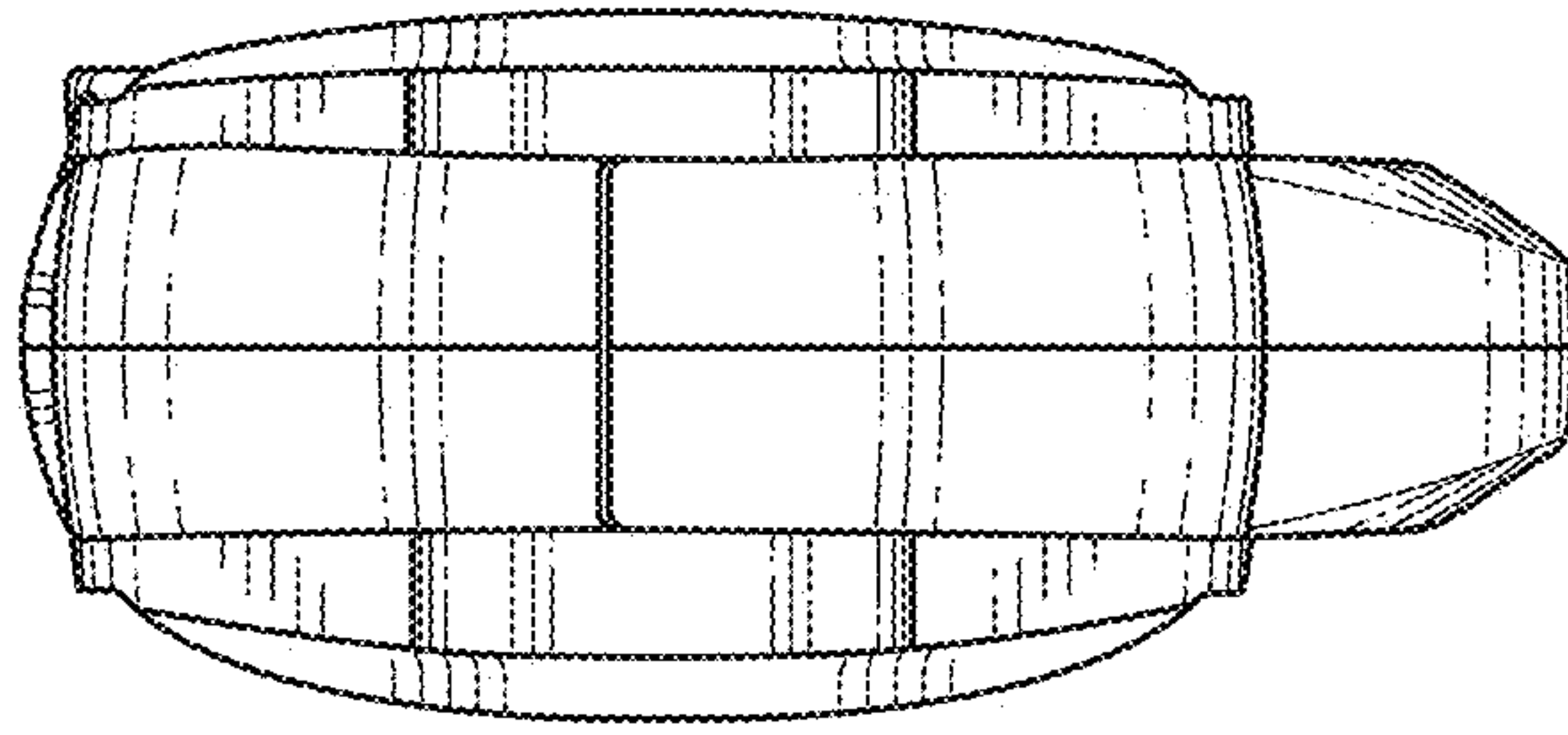


FIG. 6

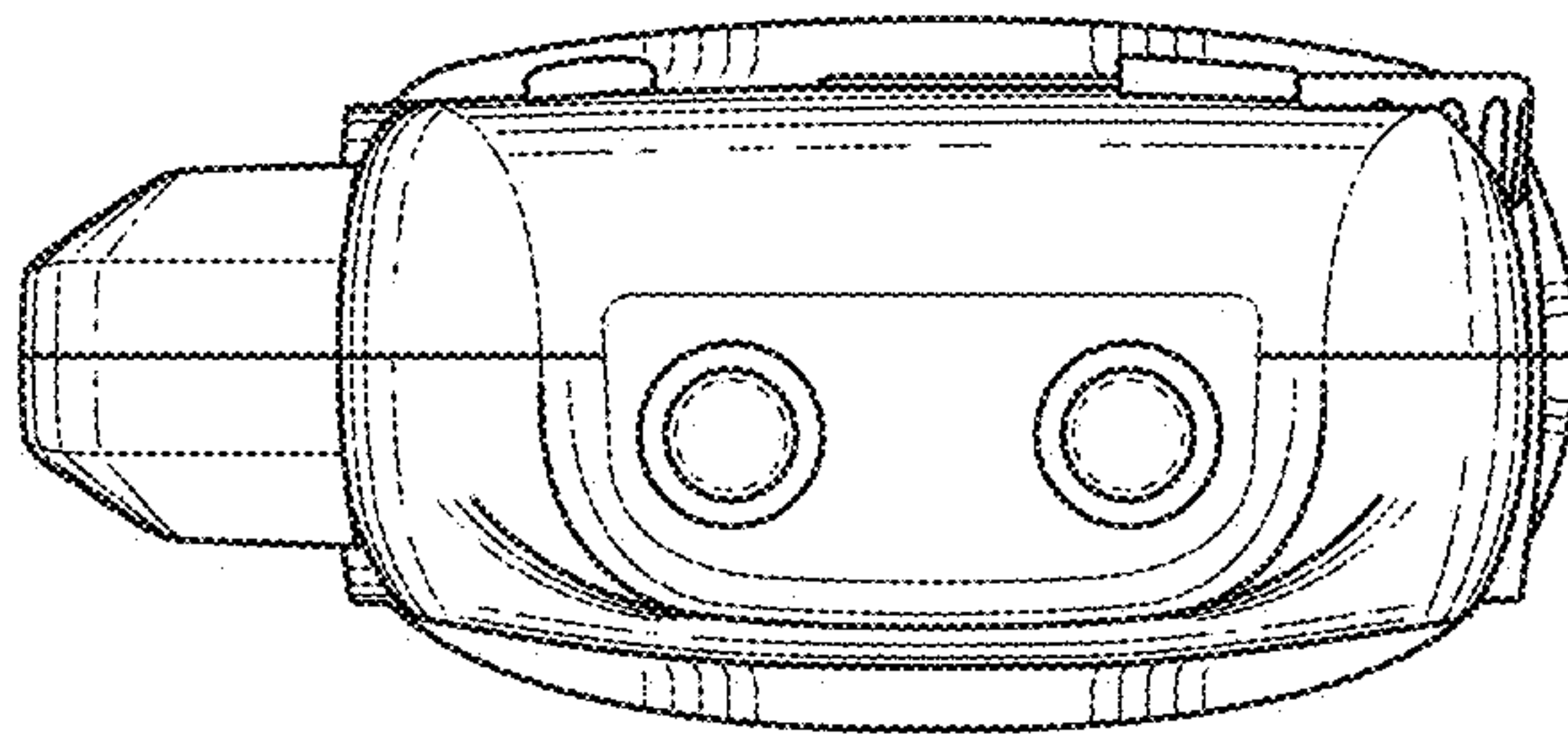


FIG. 7

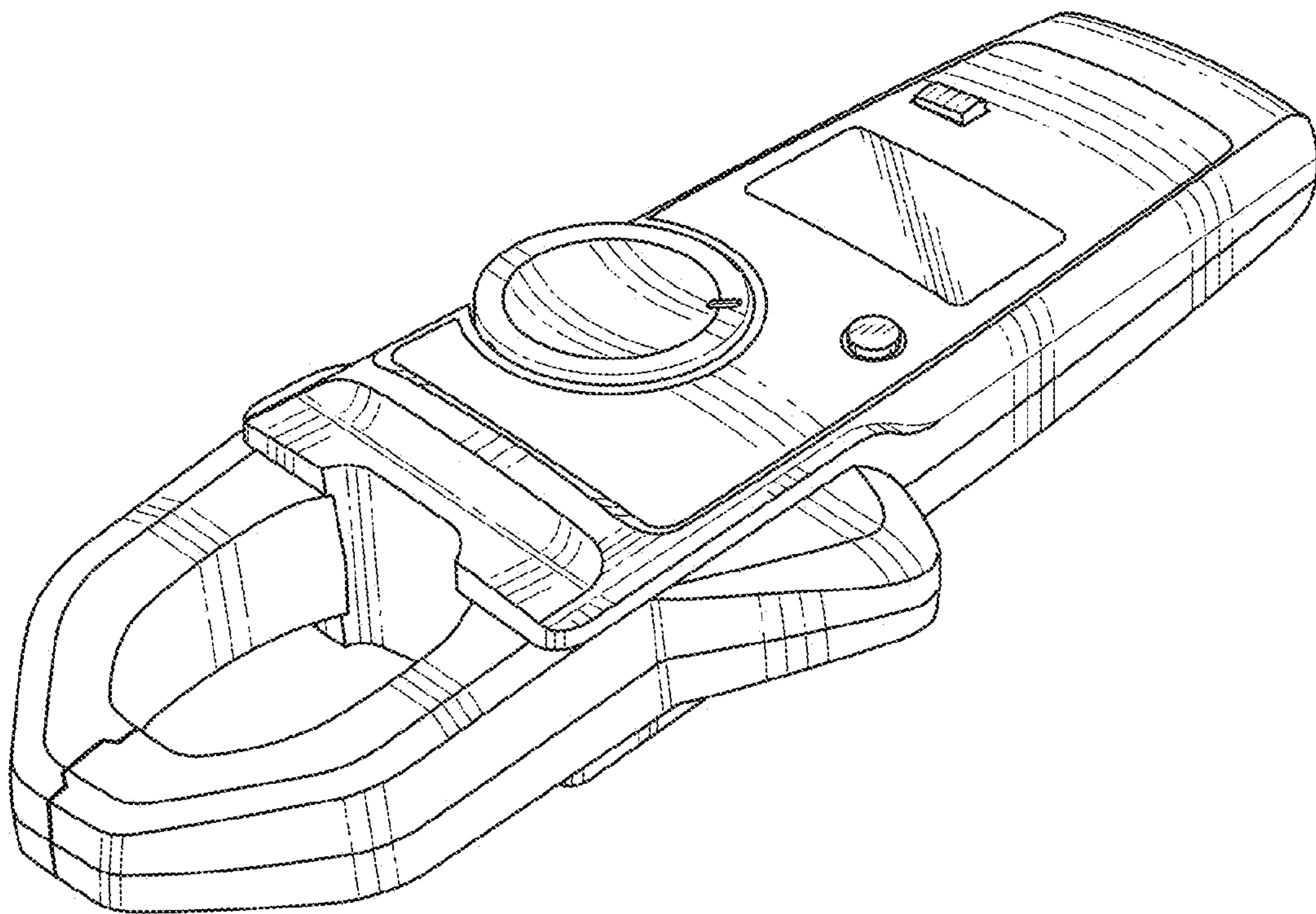


FIG. 8

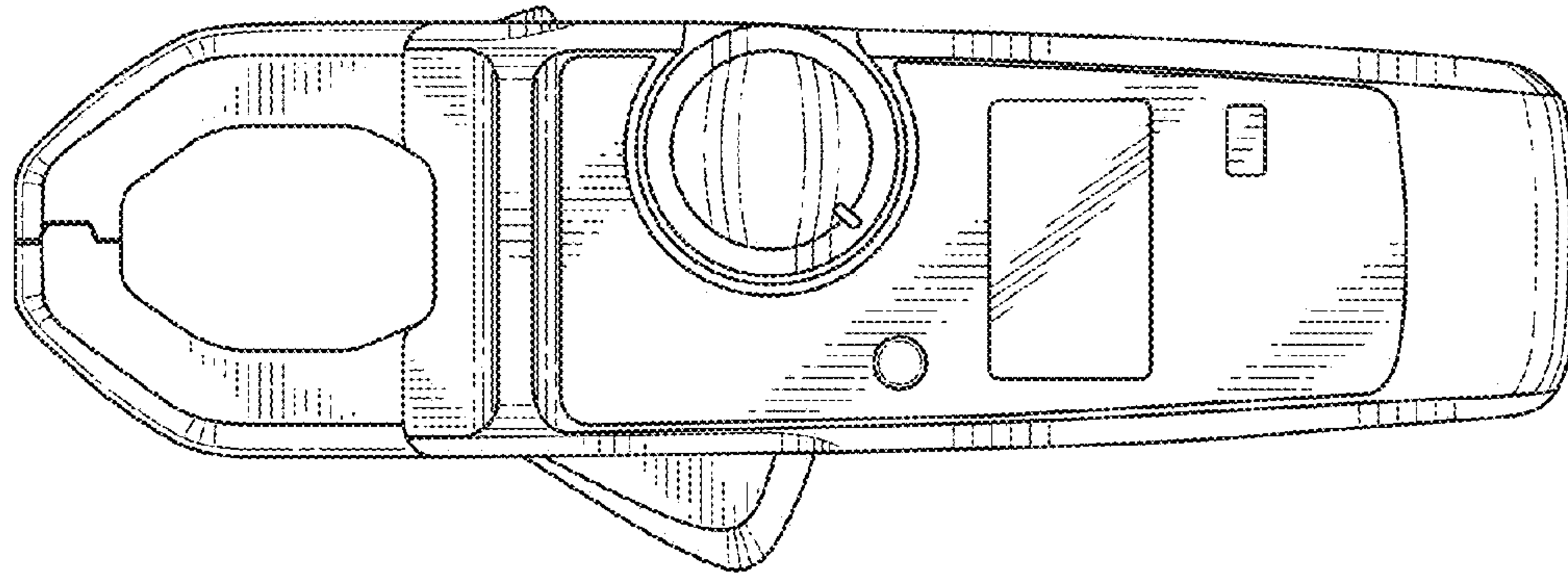


FIG. 9

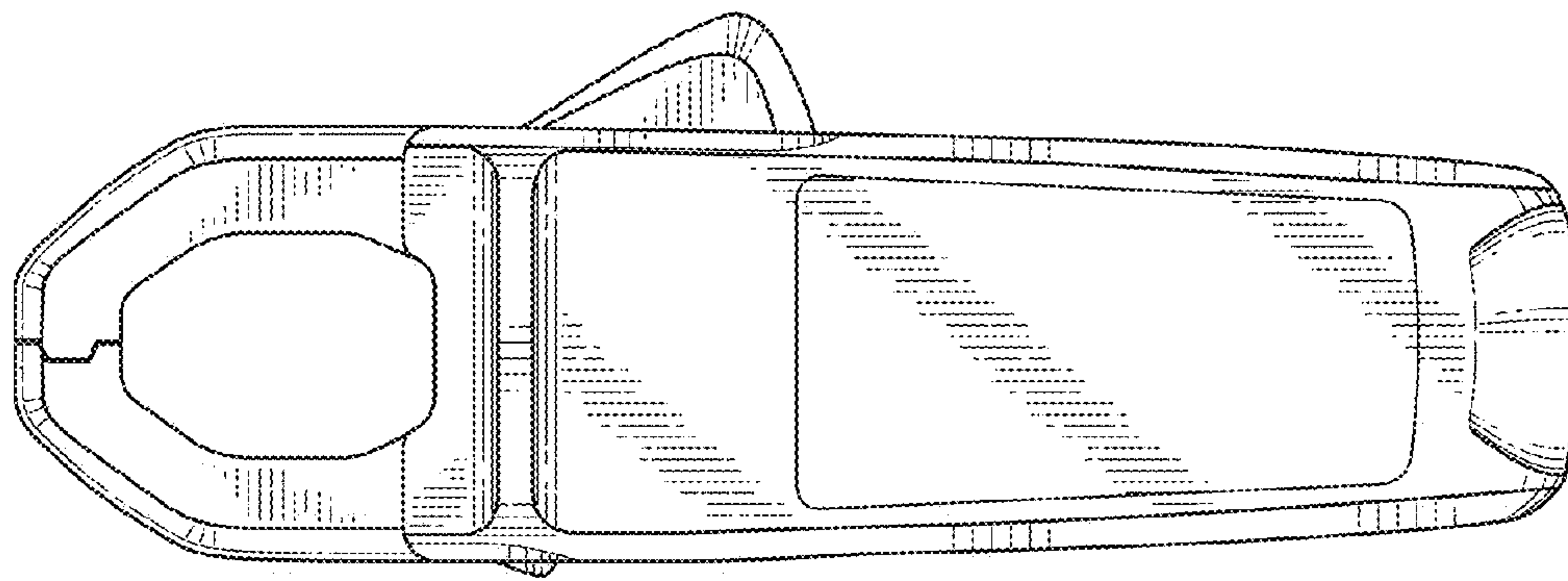


FIG. 10



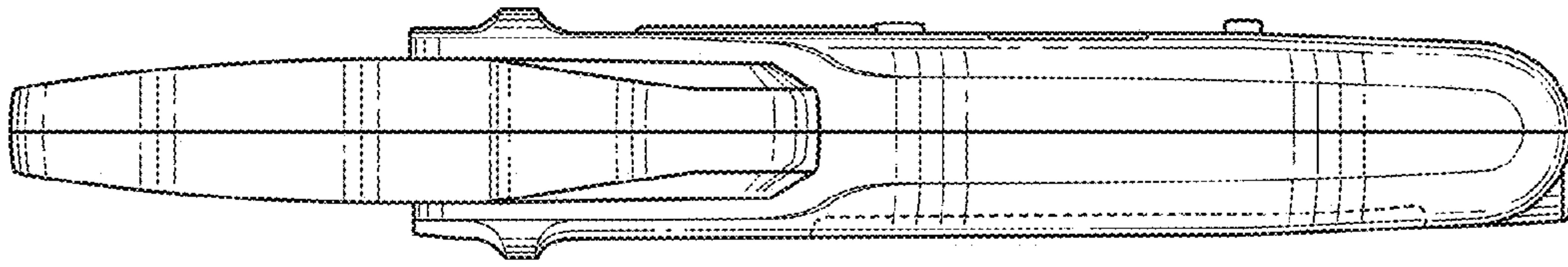


FIG. 11

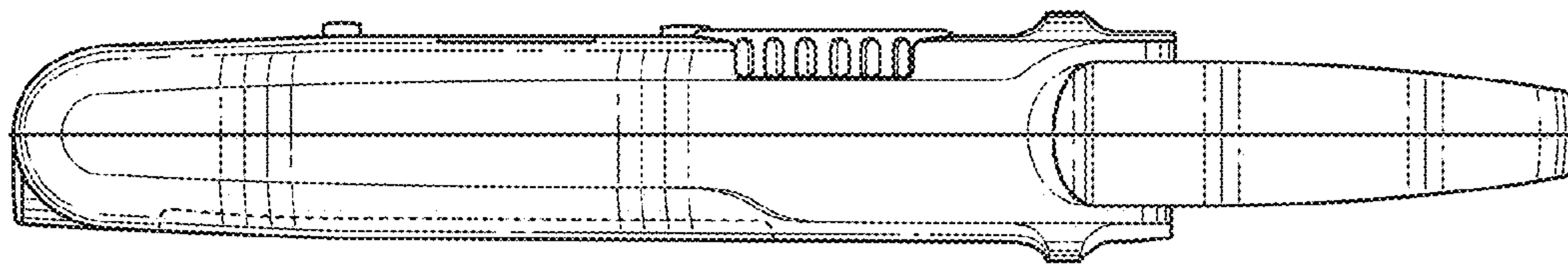


FIG. 12

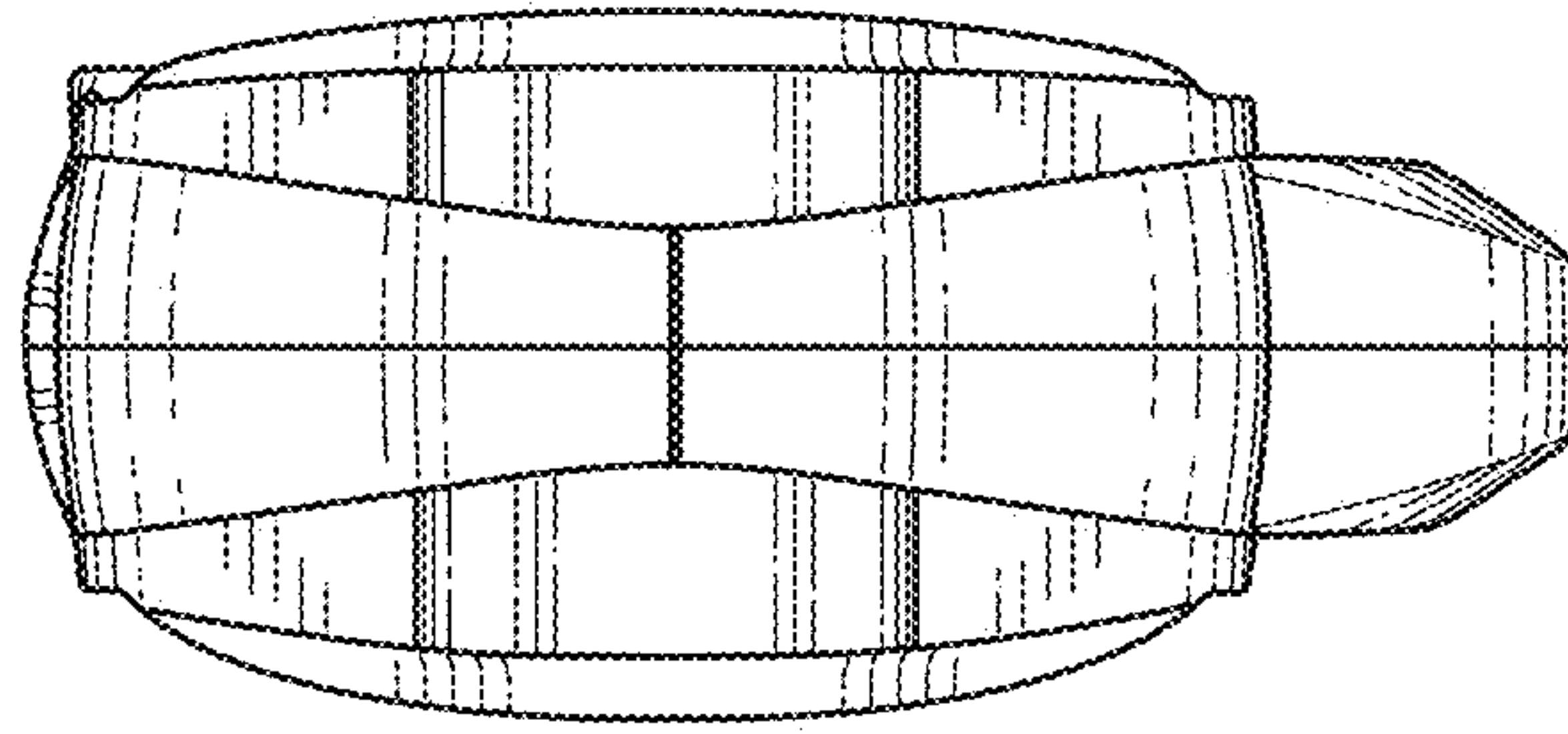


FIG. 13

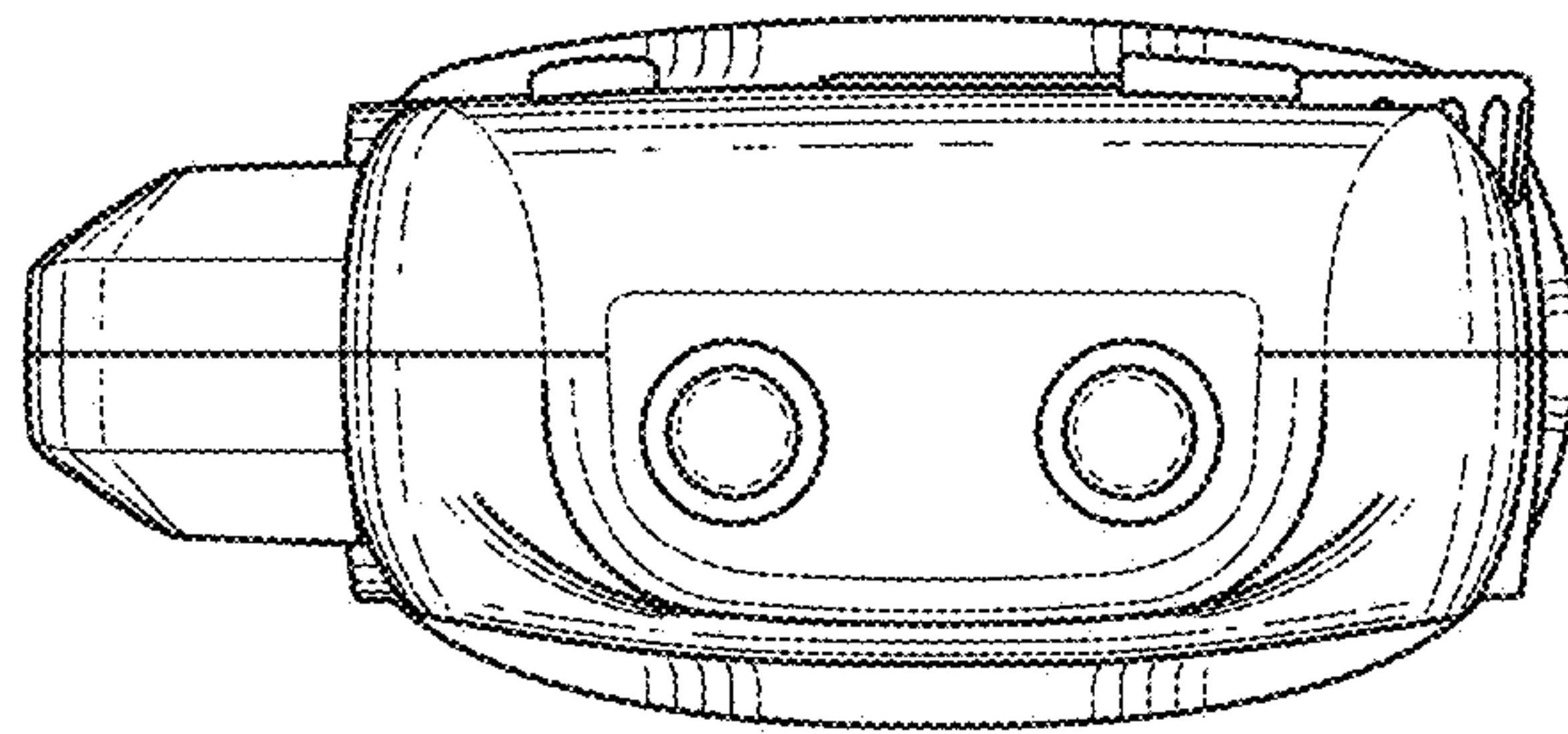


FIG. 14

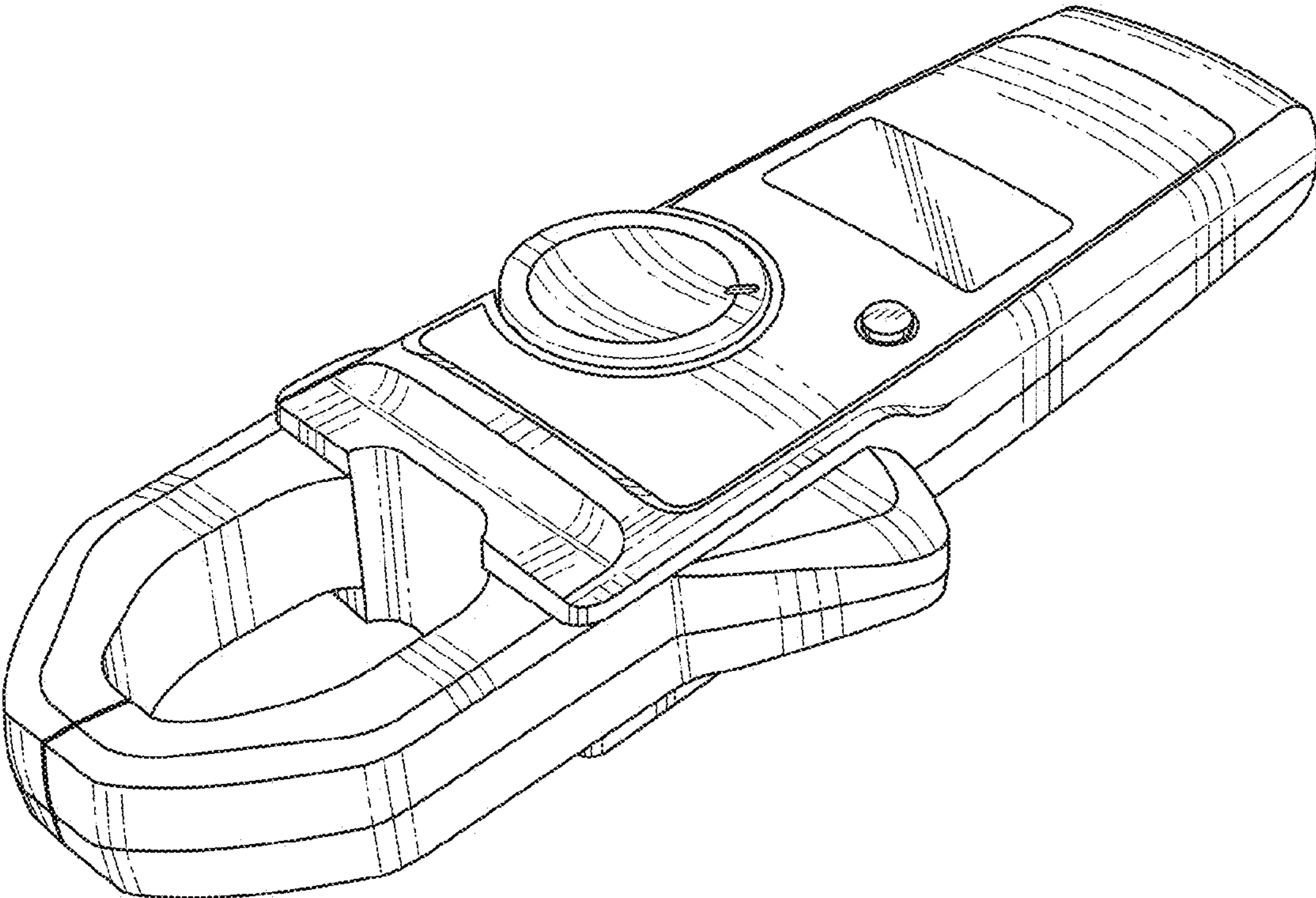


FIG. 15

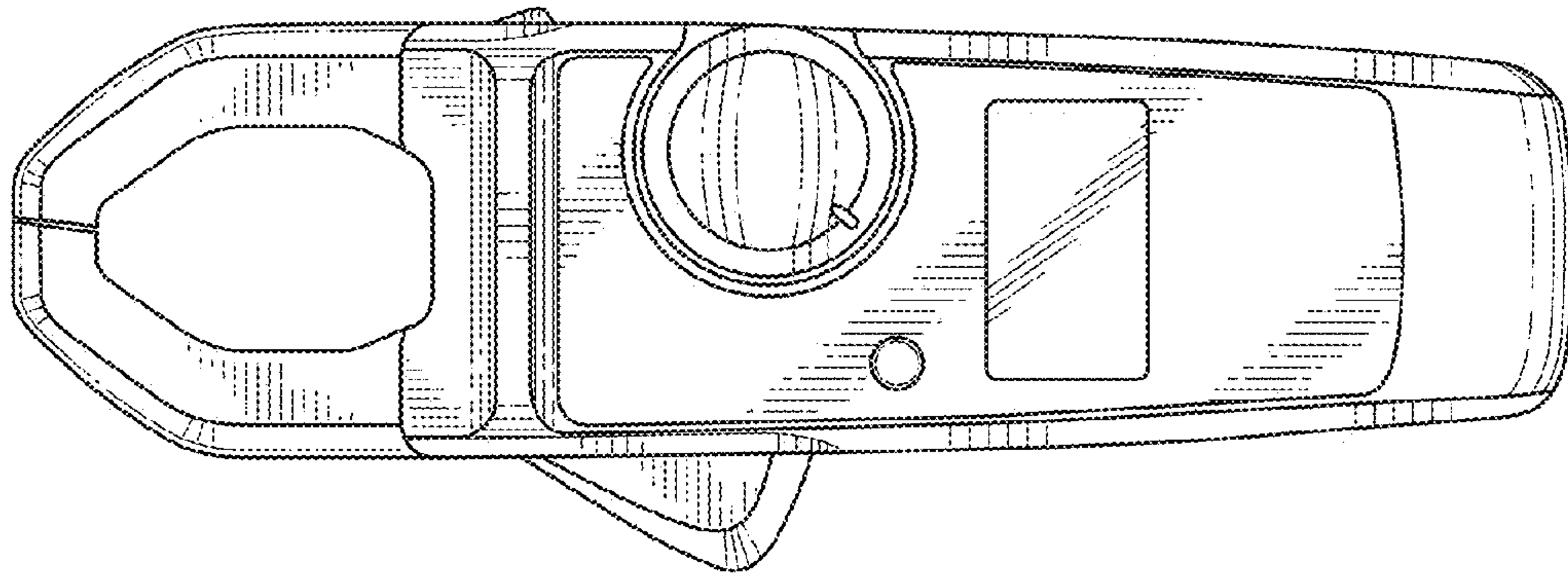


FIG. 16

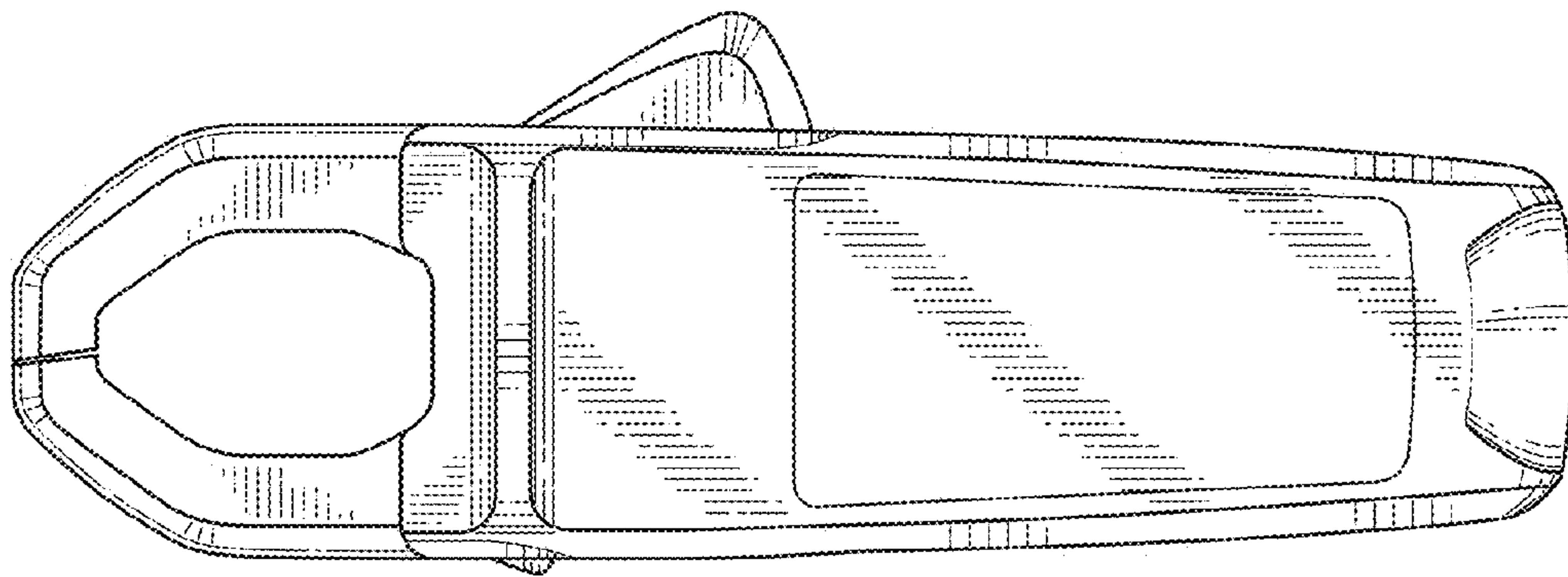


FIG. 17

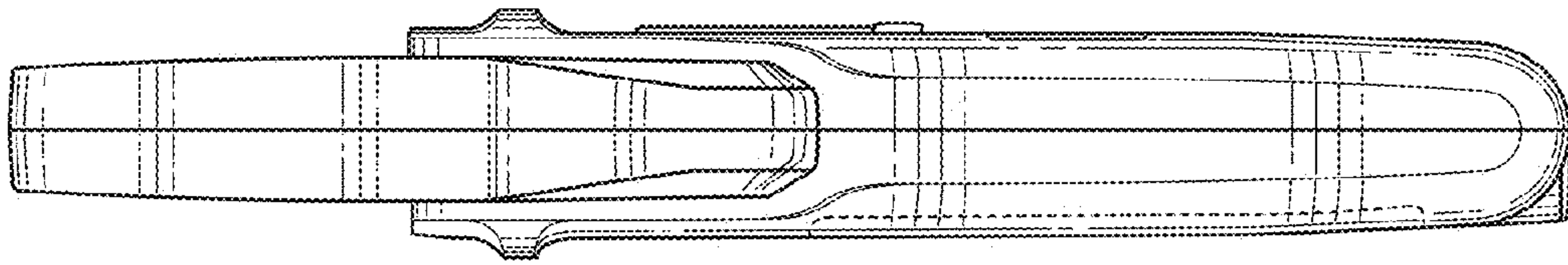


FIG. 18

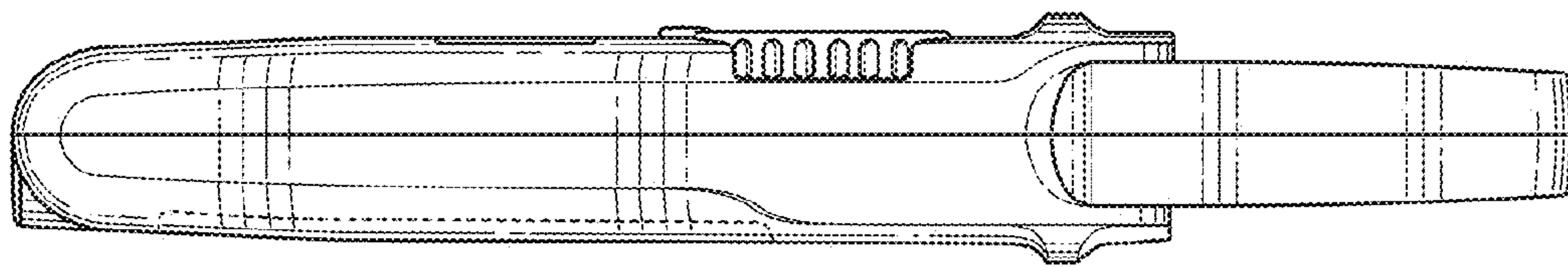


FIG. 19



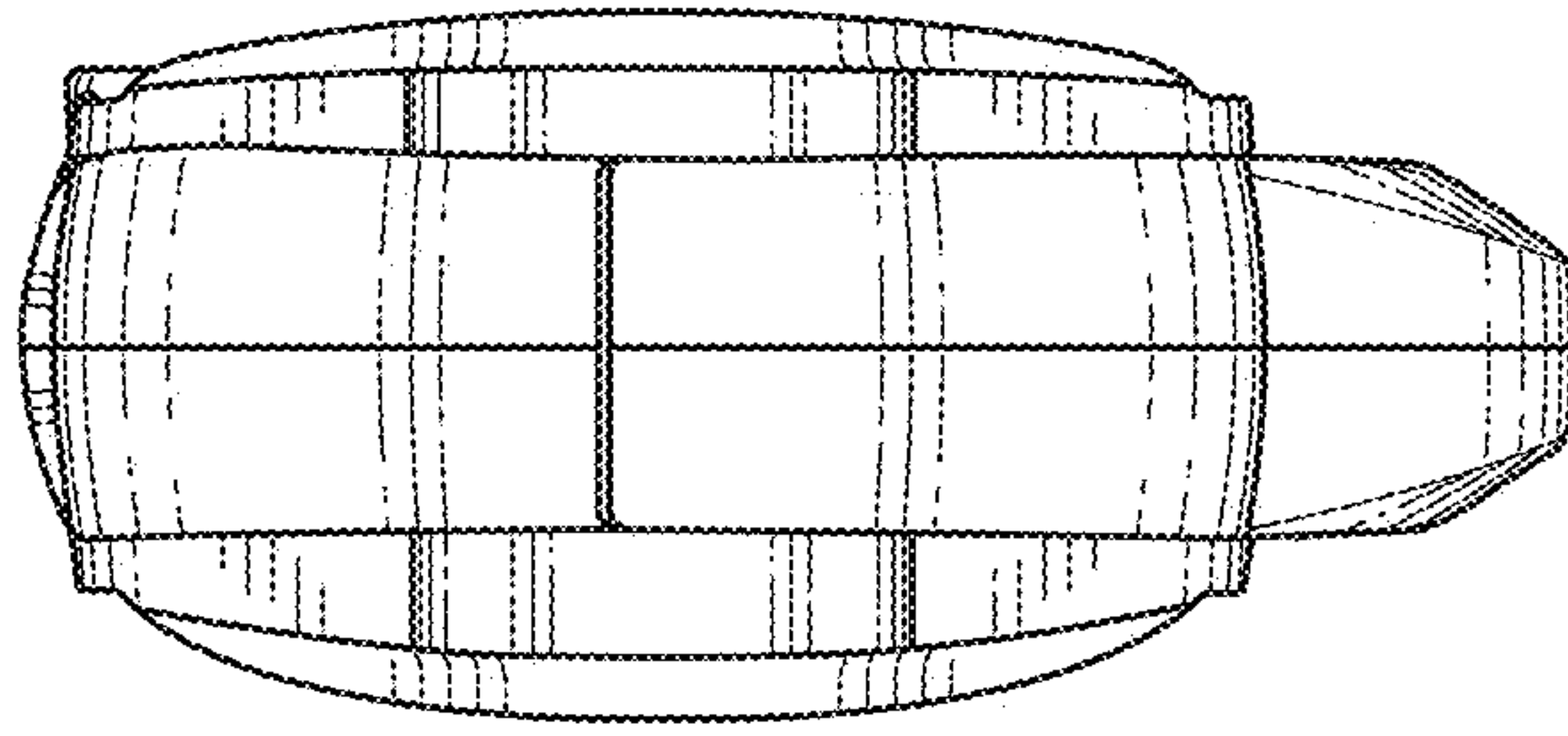


FIG. 20

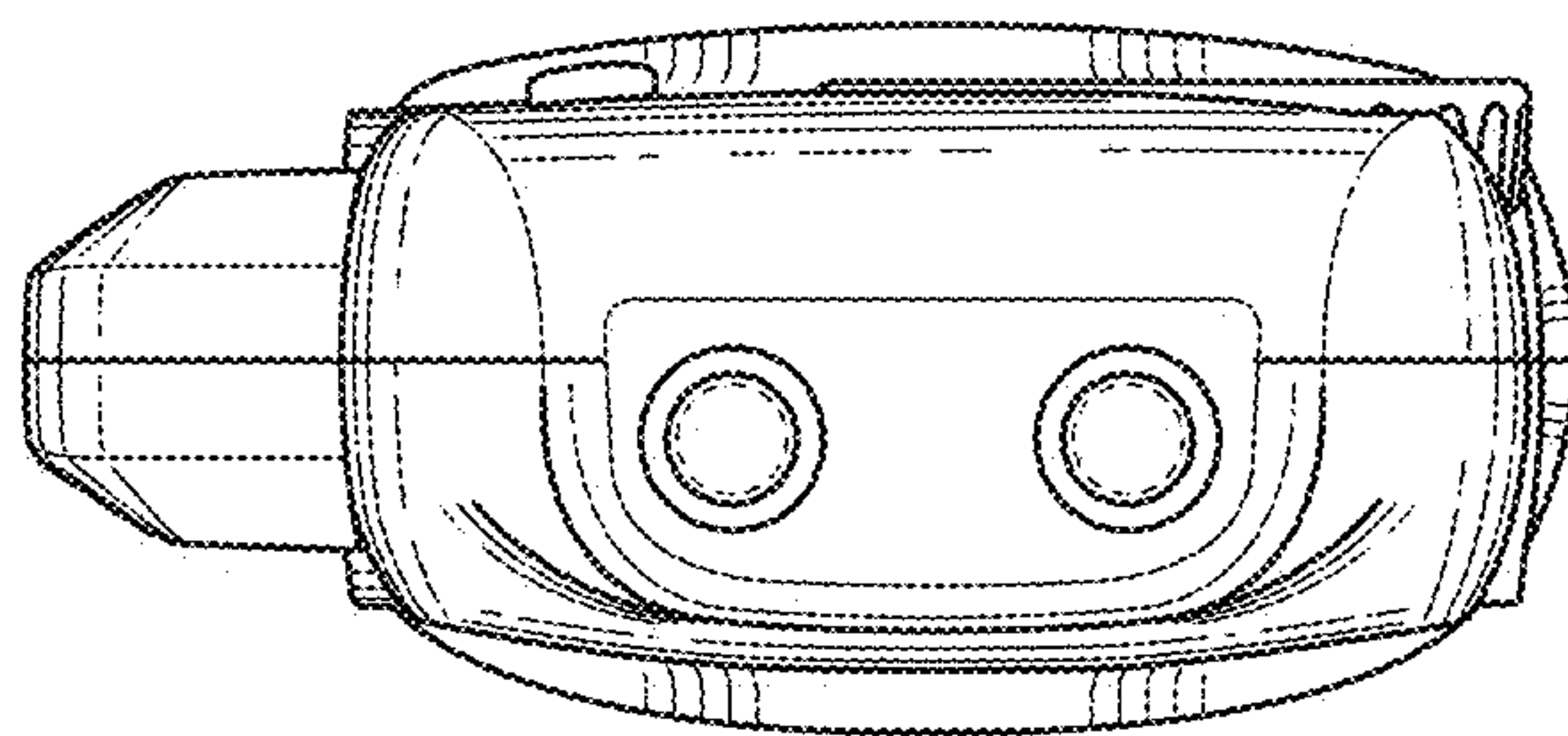


FIG. 21

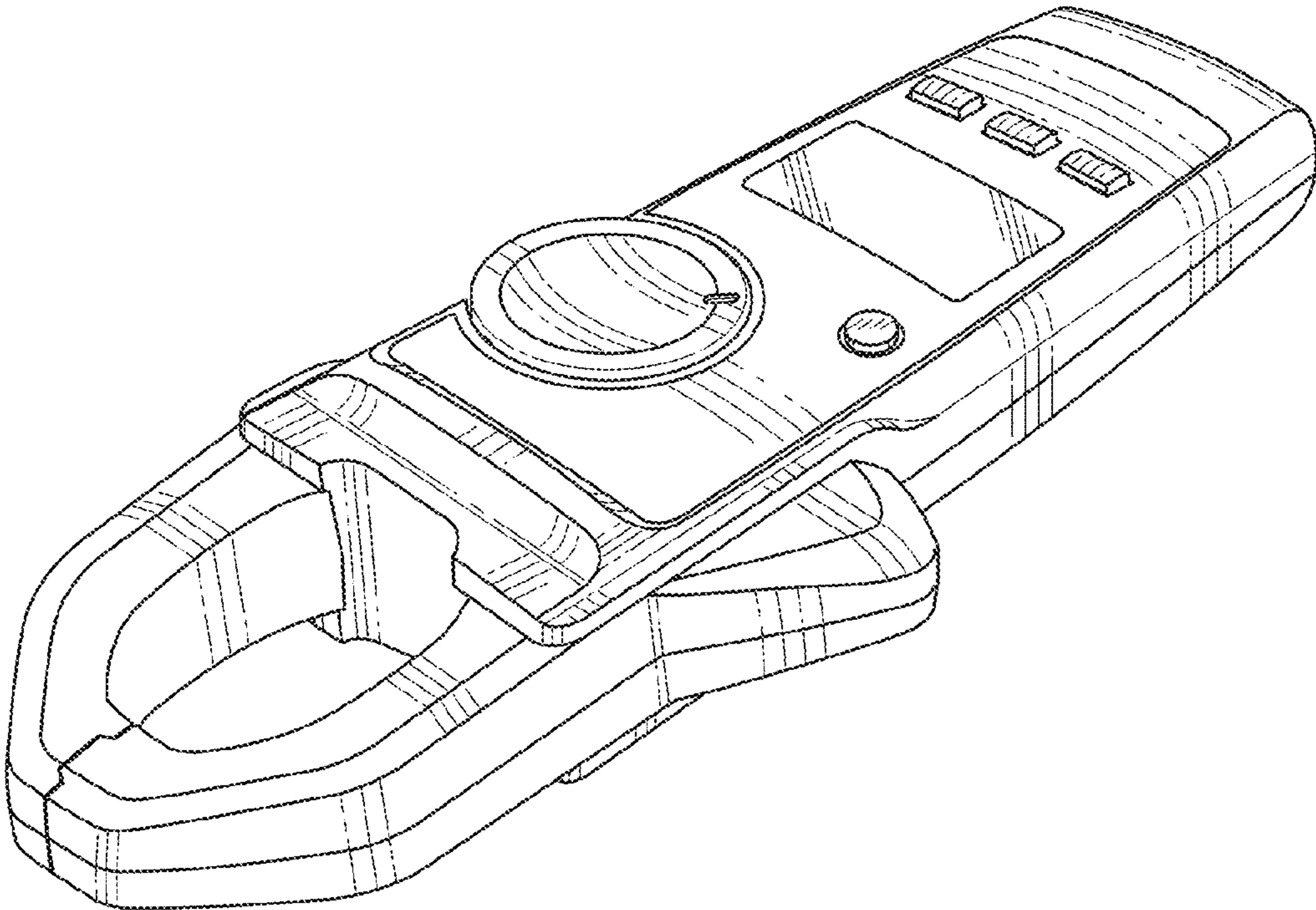


FIG. 22

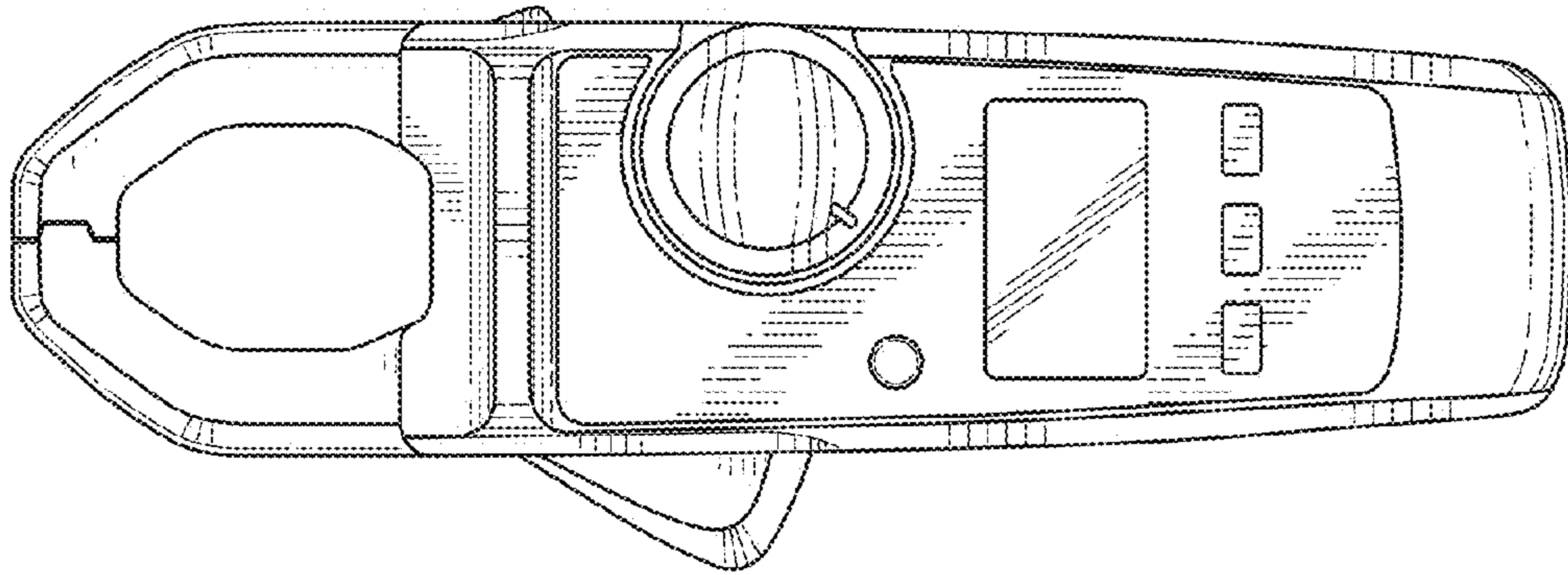


FIG. 23

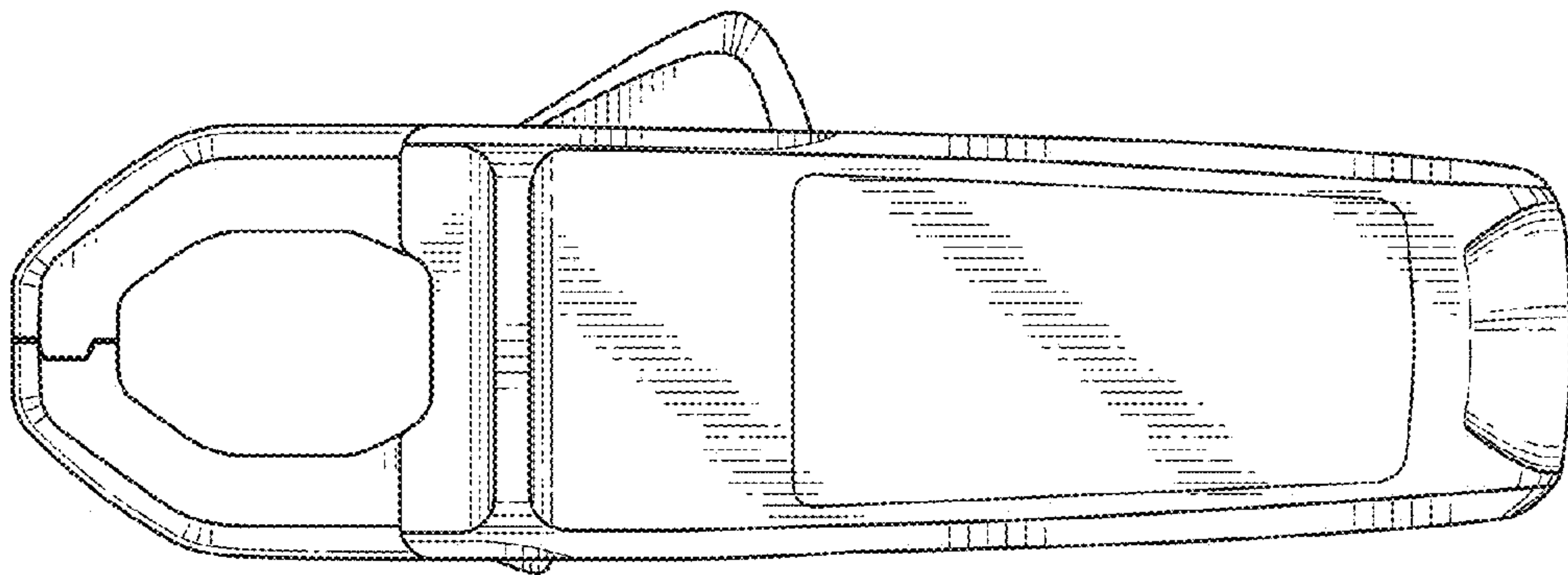


FIG. 24

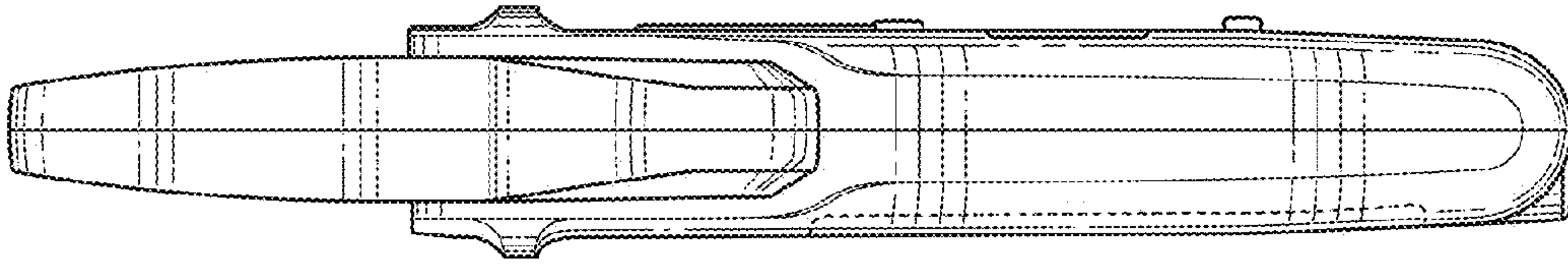


FIG. 25

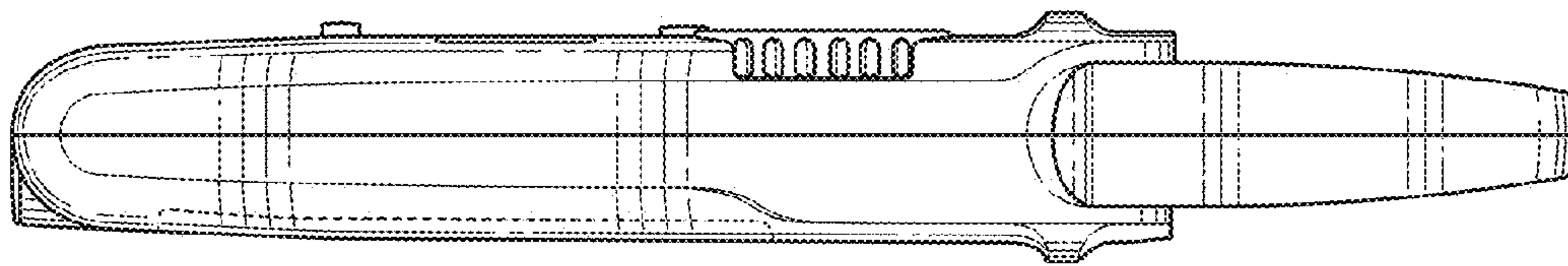


FIG. 26

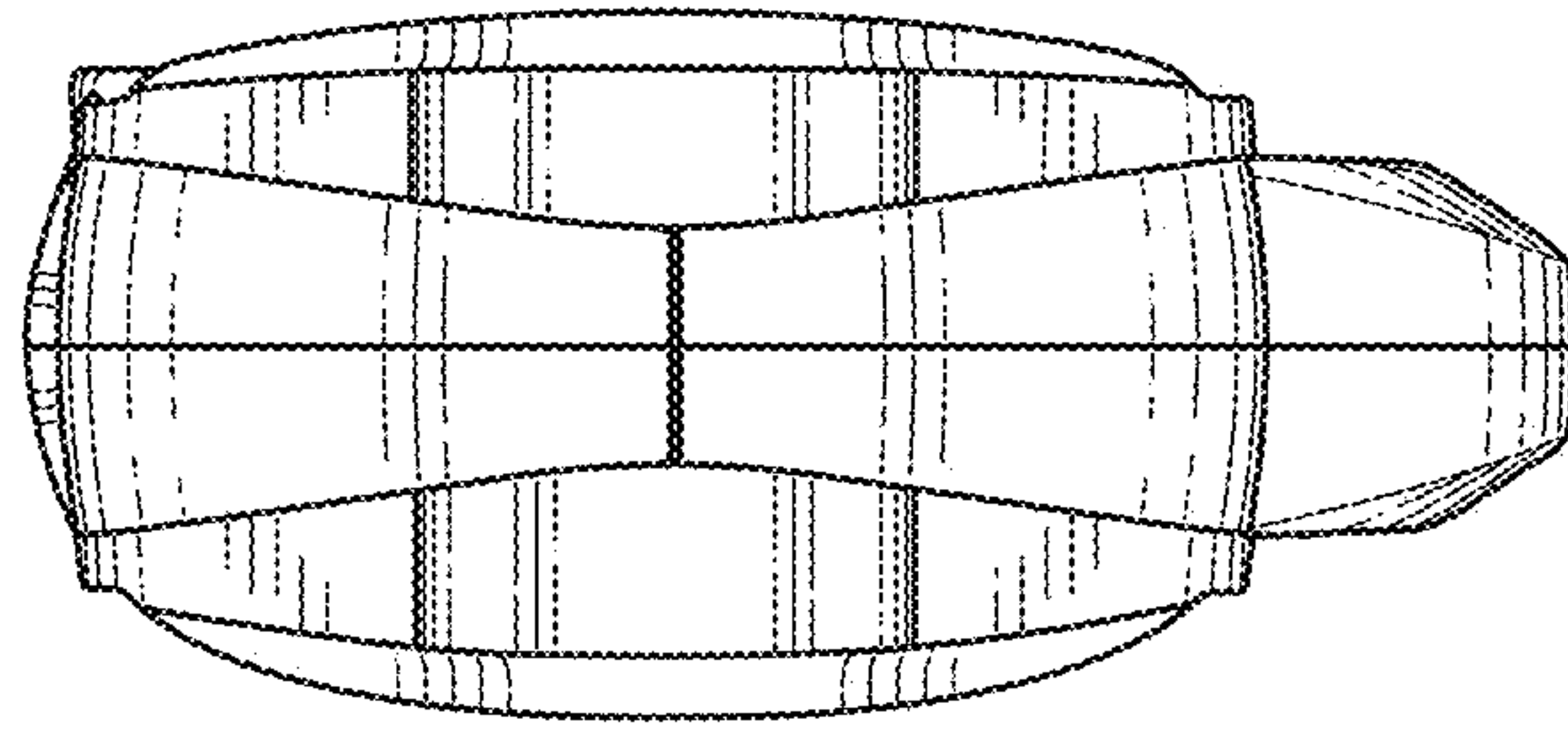


FIG. 27

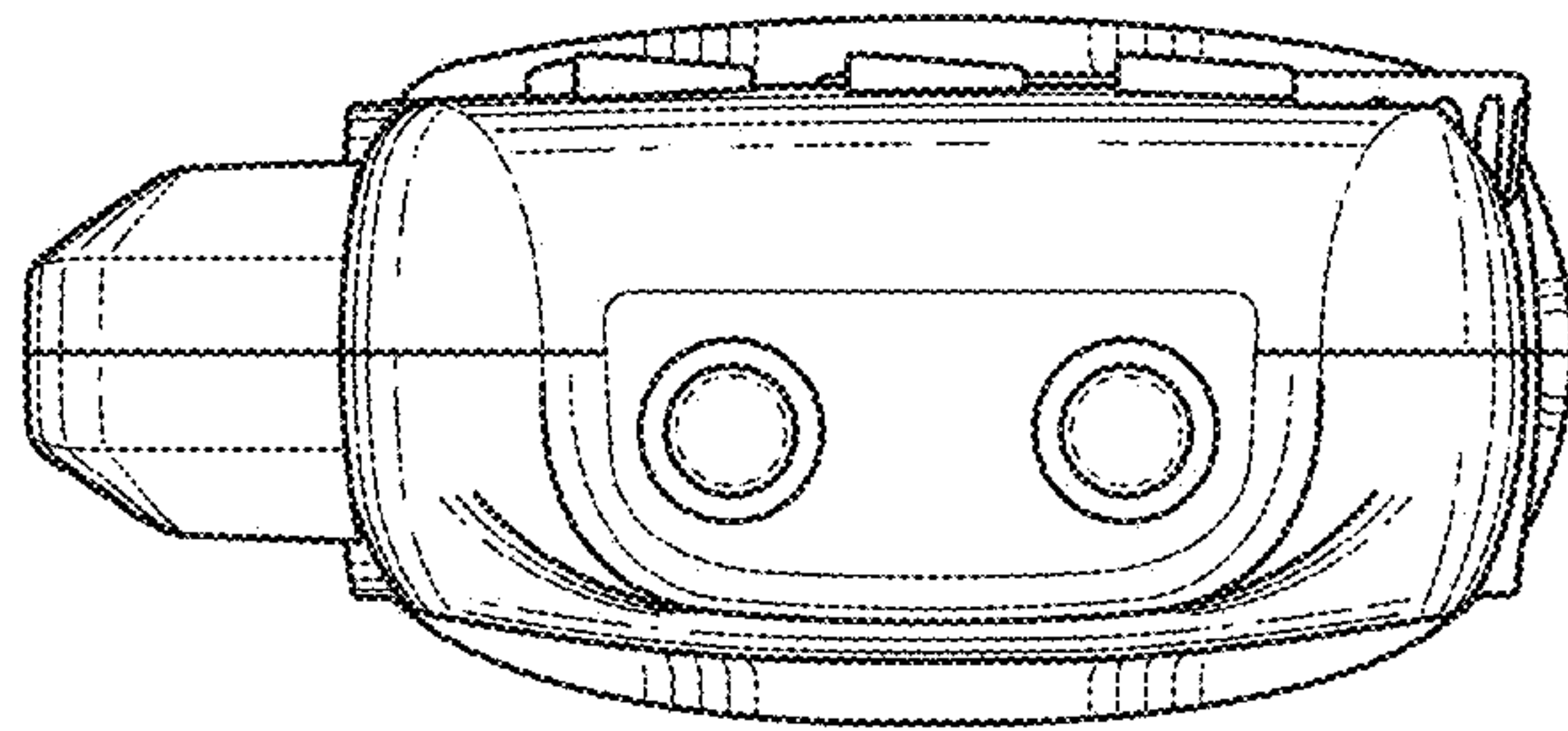


FIG. 28



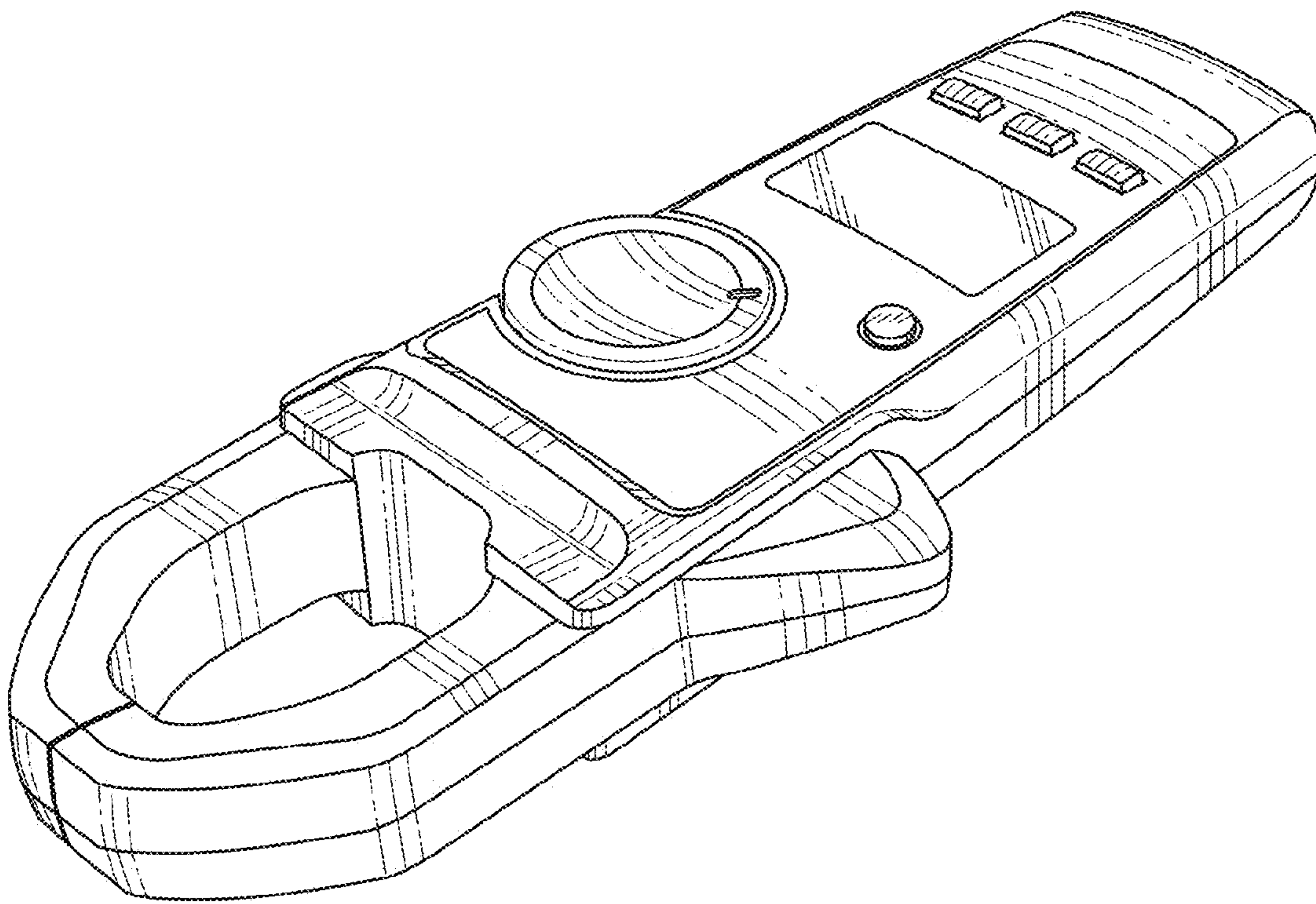


FIG. 29

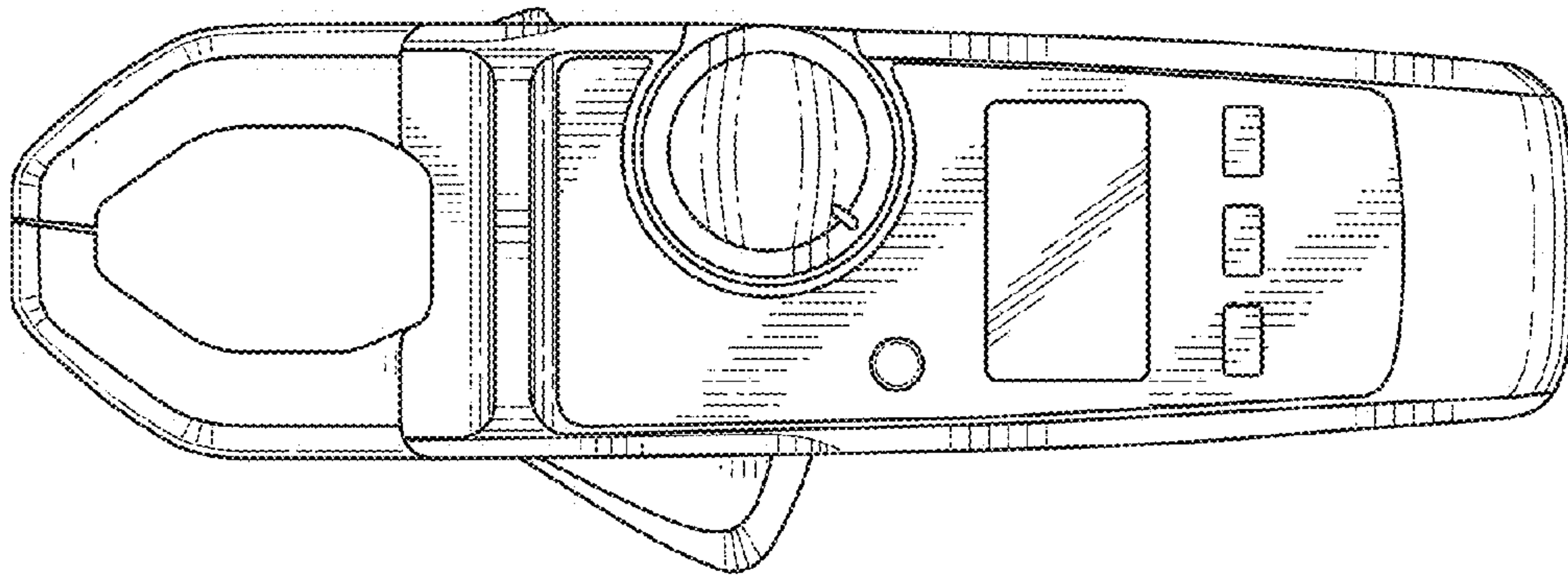


FIG. 30

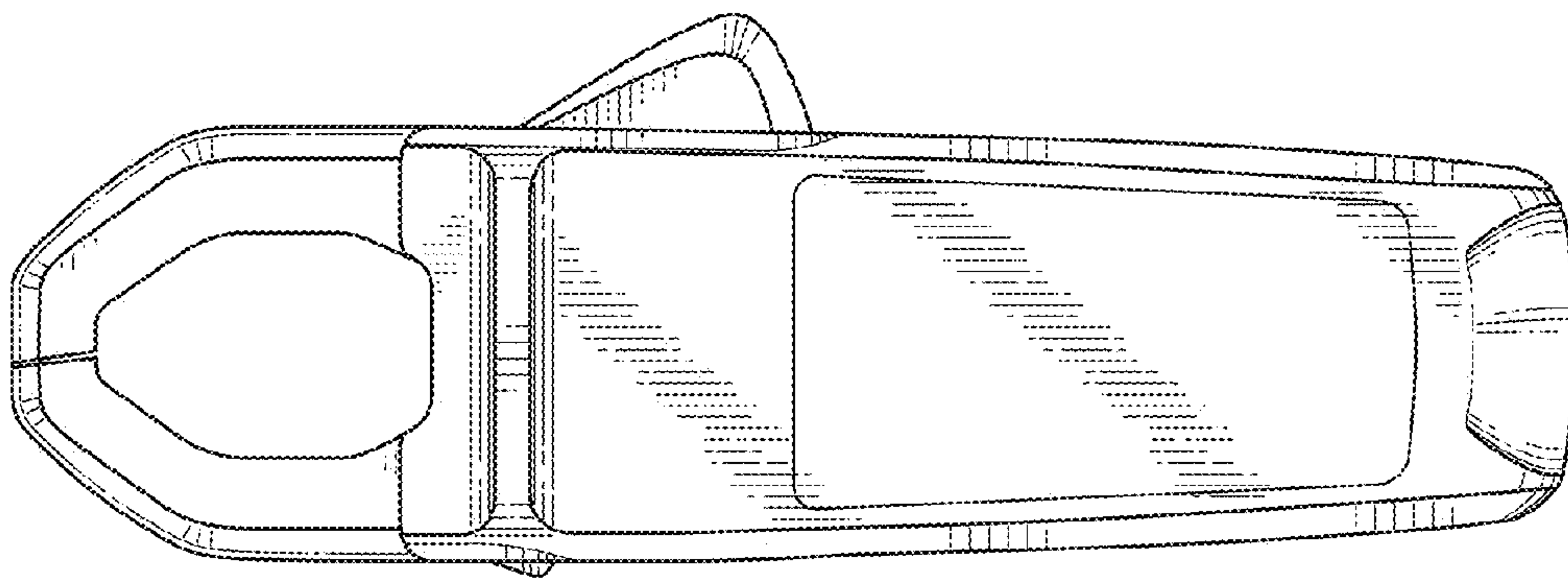


FIG. 31

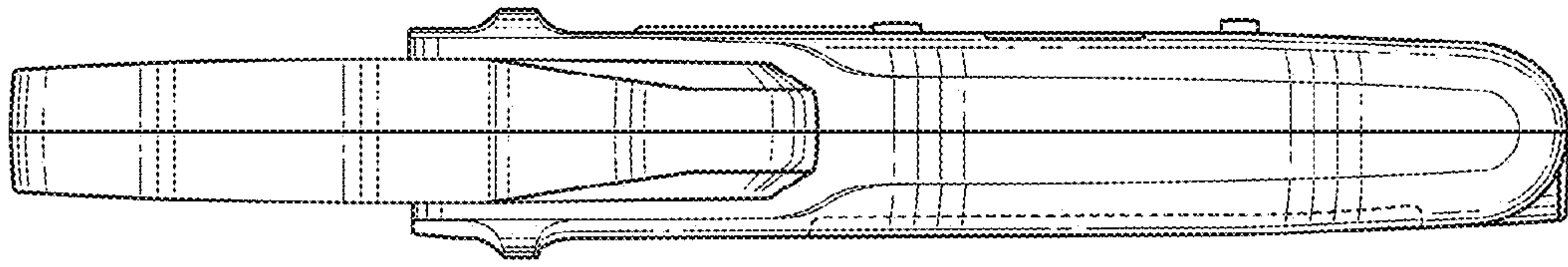


FIG. 32

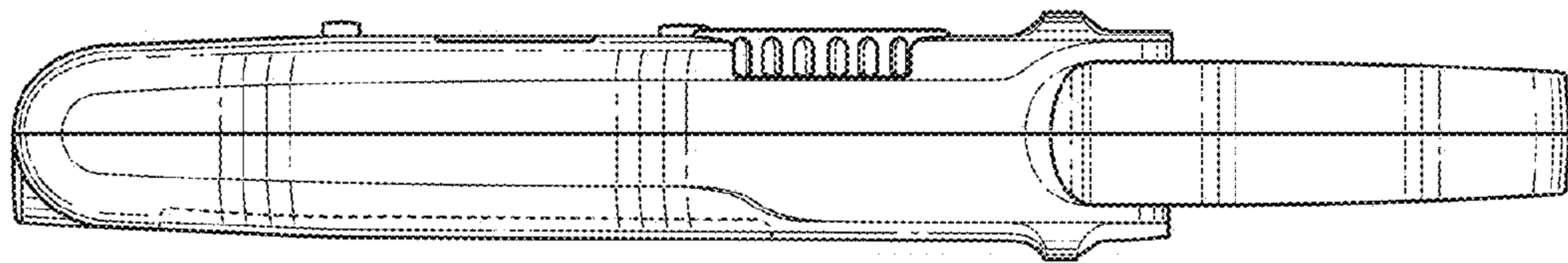


FIG. 33

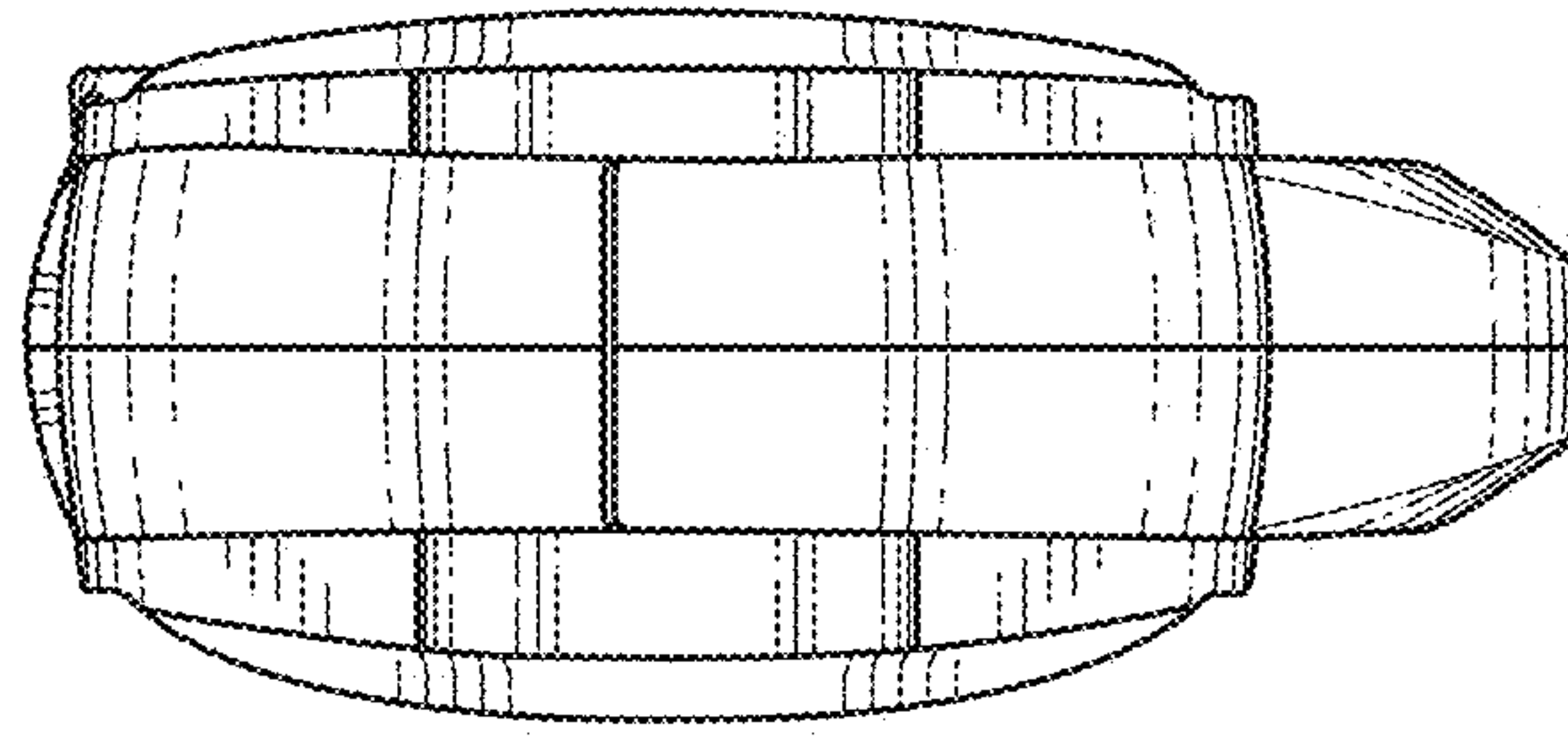


FIG. 34

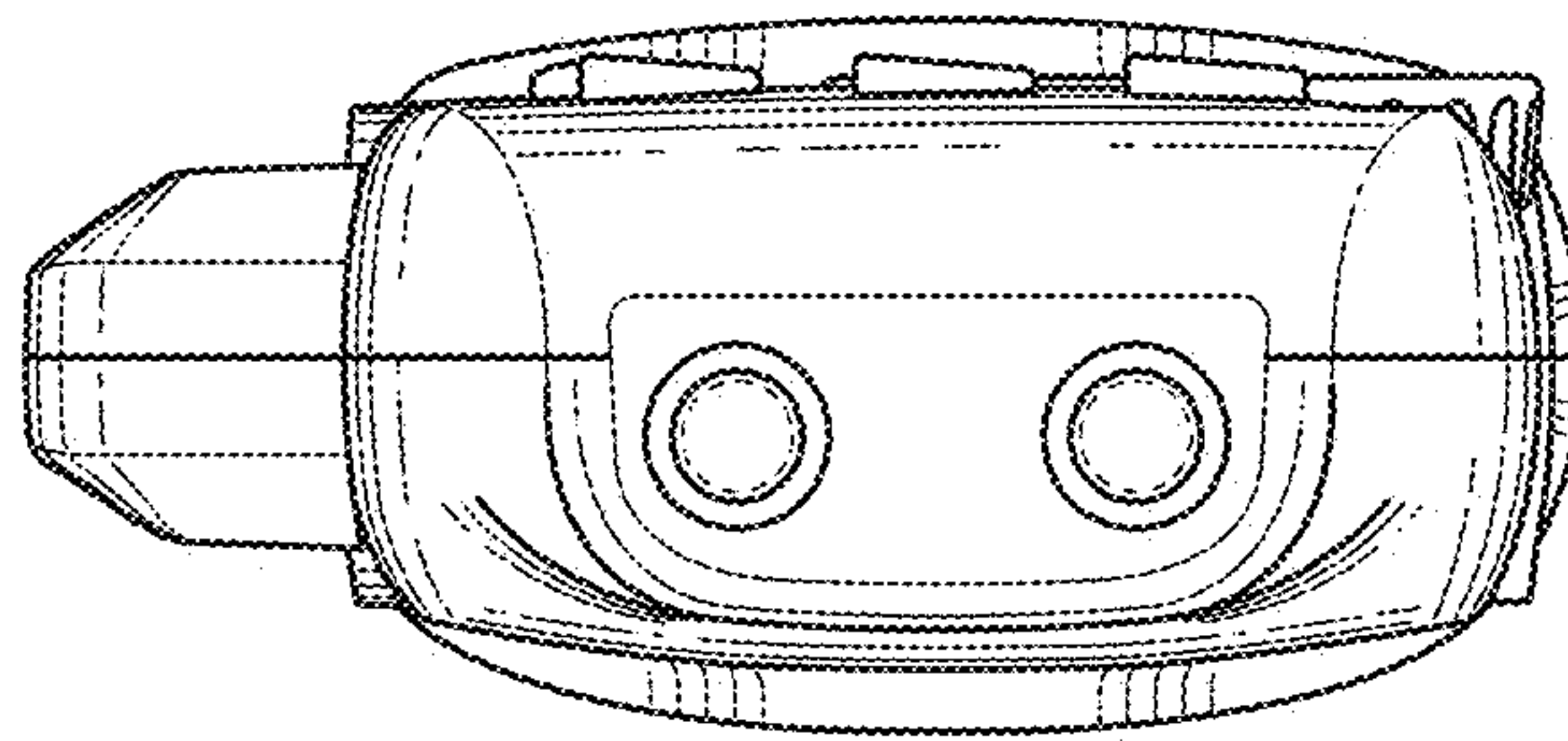


FIG. 35

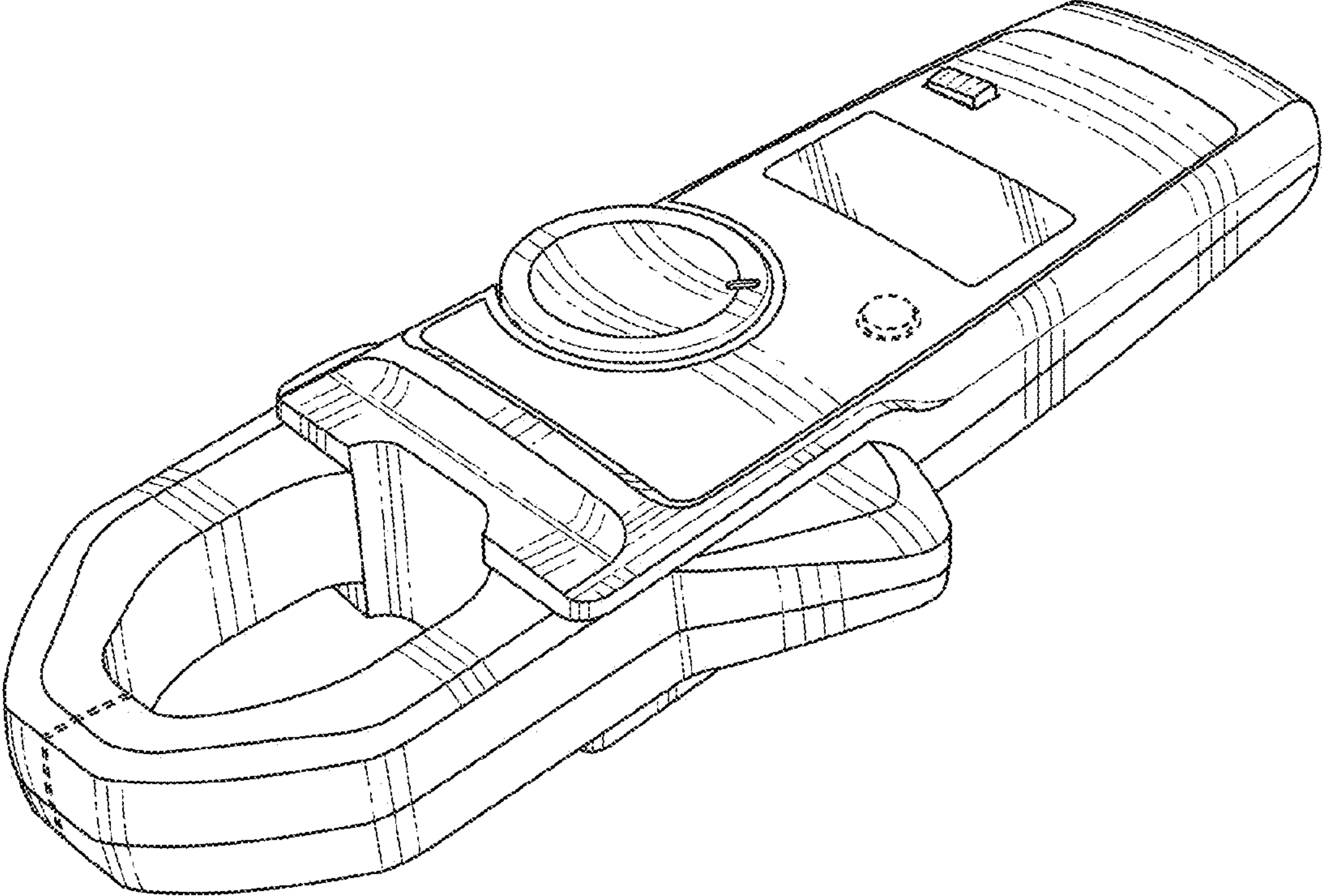


FIG. 36



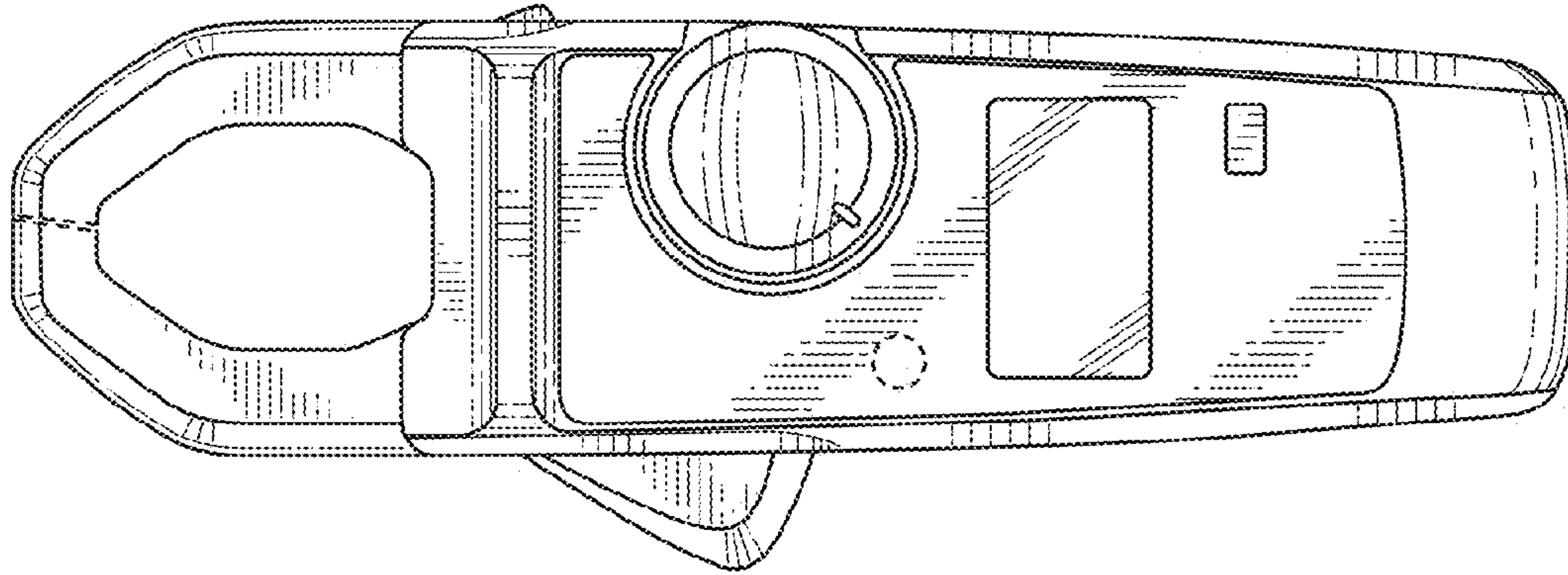


FIG. 37

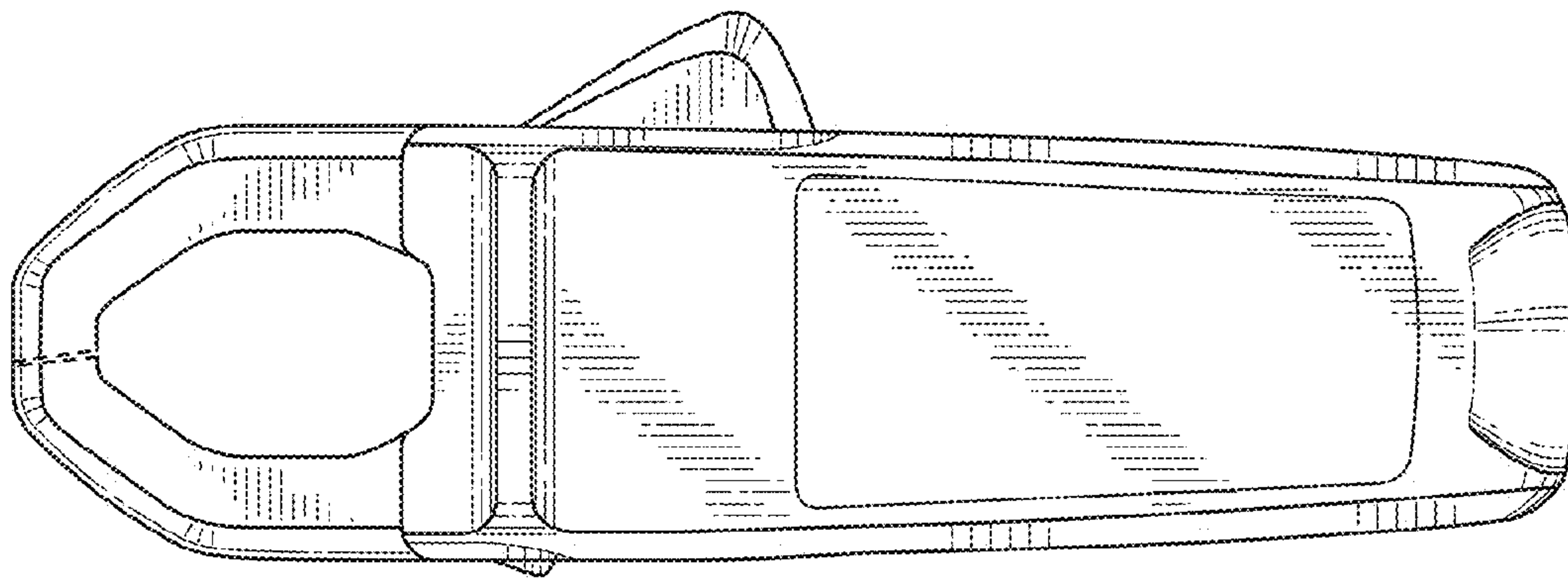


FIG. 38

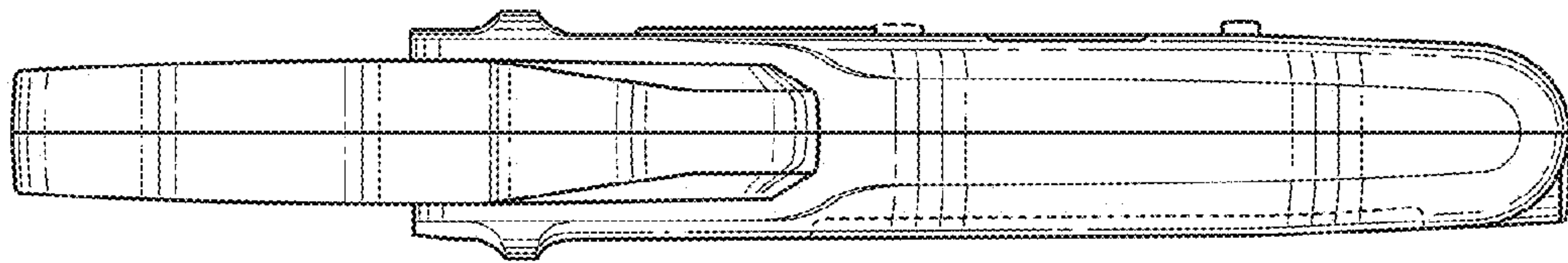


FIG. 39

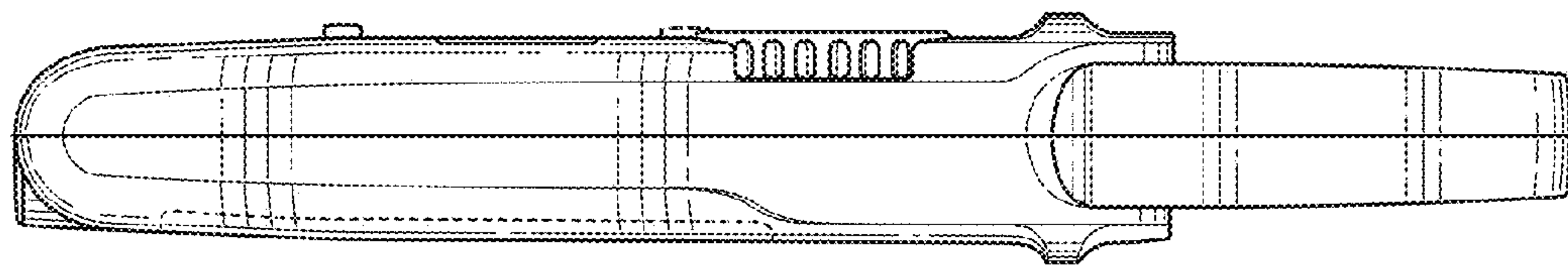


FIG. 40

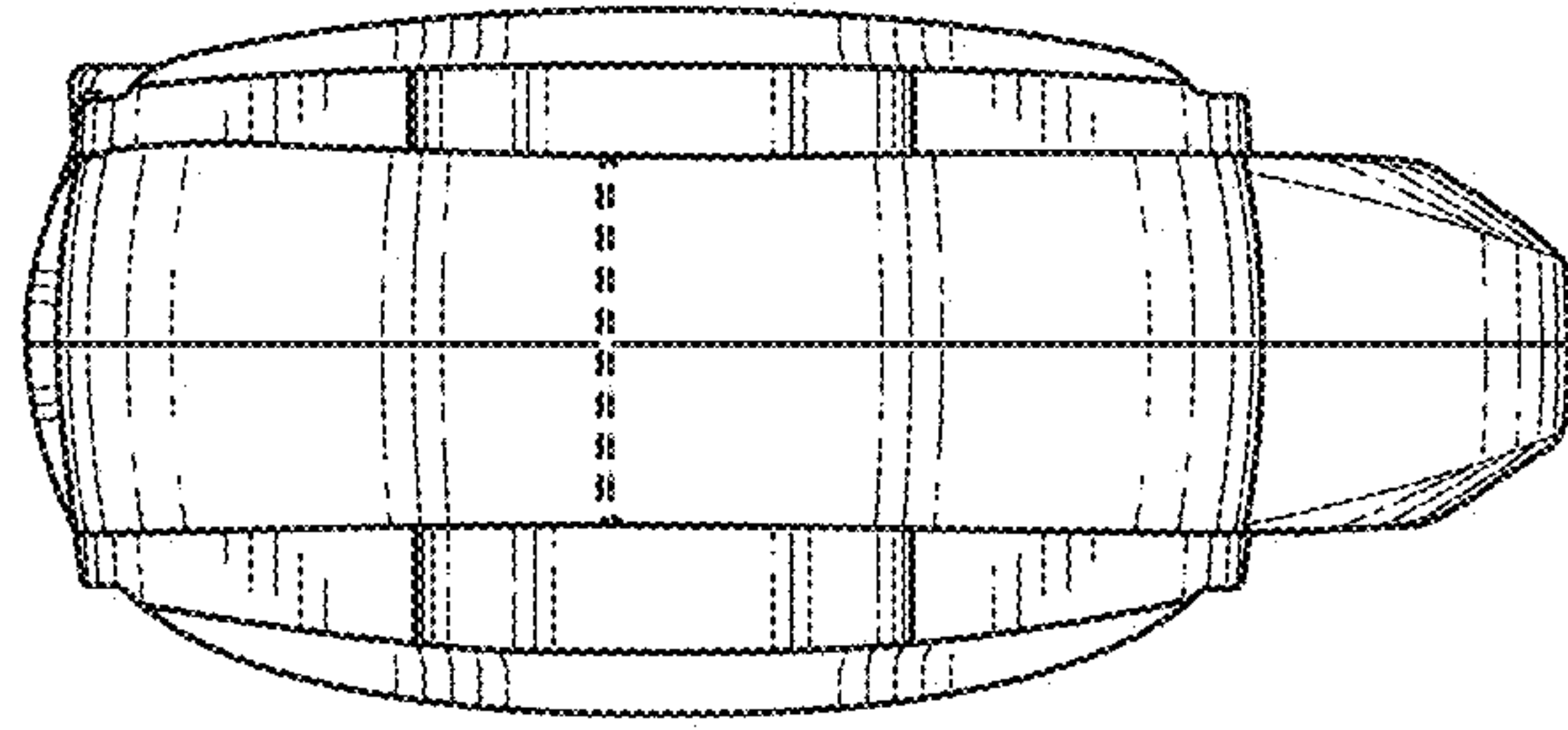


FIG. 41

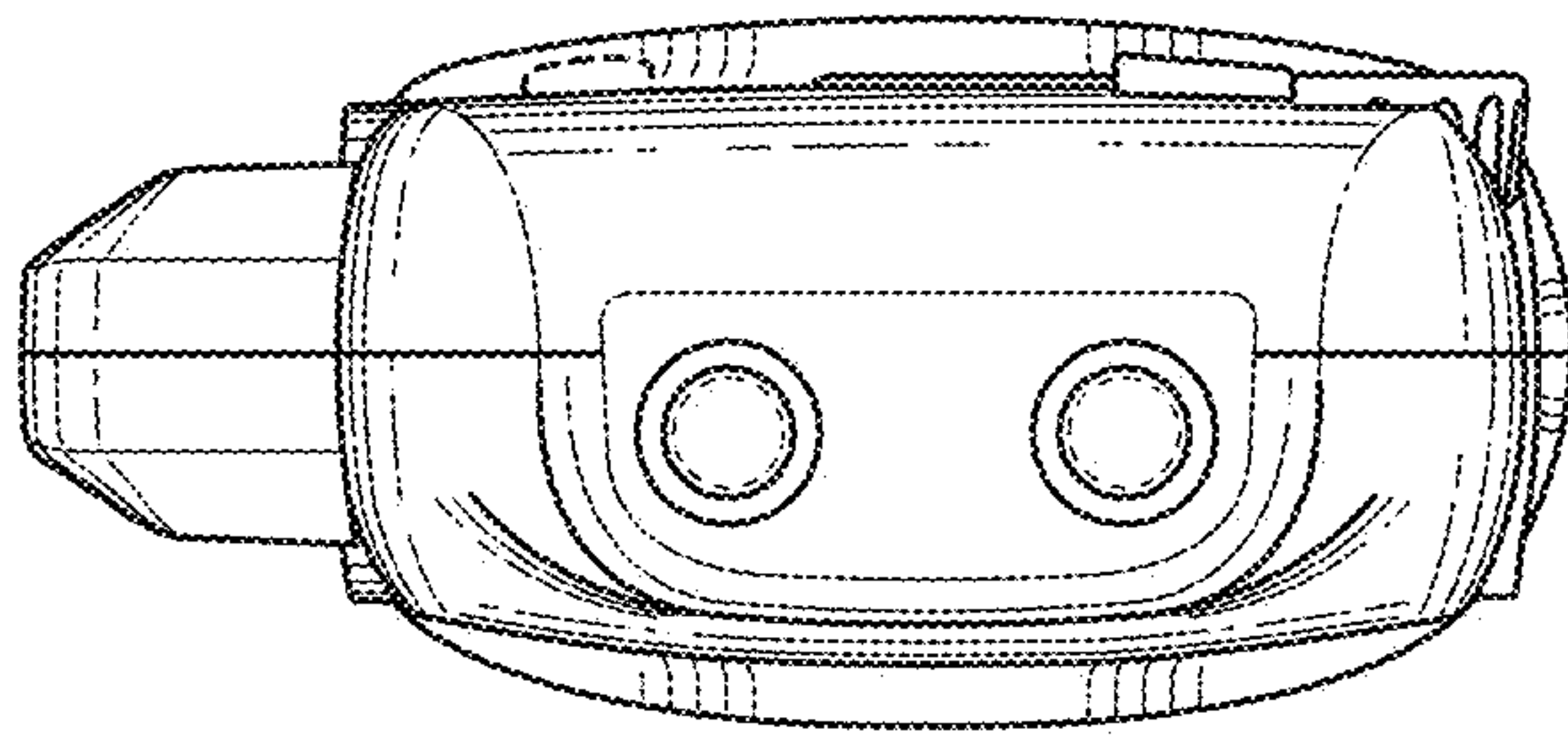


FIG. 42