



US00D684073S

(12) **United States Design Patent**  
**Elrod et al.**

(10) **Patent No.:** **US D684,073 S**  
(45) **Date of Patent:** **\*\* Jun. 11, 2013**

- (54) **DIGITAL MULTIMETER WITH WIRELESS TRANSMITTER**
- (75) Inventors: **Jeffrey Elrod**, Seattle, WA (US); **Brian S. Aikins**, Everett, WA (US)
- (73) Assignee: **Fluke Corporation**, Everett, WA (US)
- (\*\*) Term: **14 Years**
- (21) Appl. No.: **29/412,006**
- (22) Filed: **Jan. 27, 2012**
- (51) **LOC (9) Cl.** ..... **10-04**
- (52) **U.S. Cl.**  
USPC ..... **D10/78**
- (58) **Field of Classification Search**  
USPC ..... D10/78; 324/66, 67, 158 P, 539–542, 324/72.5, 556, 133, 149, 503, 543, 555, 72, 324/754, 115, 141, 114, 145, 156, 508; 379/21, 379/60, 66, 96, 106.01–106.11; 340/635, 340/687, 654; 73/866.5  
See application file for complete search history.

(56) **References Cited**

U.S. PATENT DOCUMENTS

D308,832	S	*	6/1990	Shields et al.	.....	D10/78
D361,949	S	*	9/1995	Kim	.....	D10/78
D365,031	S	*	12/1995	Kim	.....	D10/78
5,619,129	A	*	4/1997	Kamiya	.....	324/115
D381,280	S	*	7/1997	Tomiyama et al.	.....	D10/78
D385,808	S	*	11/1997	Kim	.....	D10/78
D401,521	S	*	11/1998	Wrisley et al.	.....	D10/78
D414,125	S	*	9/1999	Chen	.....	D10/78
D419,464	S	*	1/2000	Chang	.....	D10/78
D419,466	S	*	1/2000	McCain	.....	D10/78
D428,349	S	*	7/2000	Pagliara	.....	D10/78
D446,463	S	*	8/2001	Chang	.....	D10/78
D446,735	S	*	8/2001	McCain	.....	D10/78
D458,551	S	*	6/2002	Malawista	.....	D10/78
D472,828	S	*	4/2003	Chang	.....	D10/78
D515,952	S	*	2/2006	Chang	.....	D10/78
7,056,012	B2	*	6/2006	Blakeley, III	.....	374/120
7,109,700	B2	*	9/2006	Fazzina	.....	324/115
D555,525	S	*	11/2007	Chong et al.	.....	D10/78
7,654,857	B2	*	2/2010	Morey et al.	.....	439/489

8,004,272	B2	*	8/2011	Jamieson et al.	.....	324/115
8,013,594	B2	*	9/2011	Worones	.....	324/115
8,093,516	B2	*	1/2012	Worones et al.	.....	200/11 DA
2009/0102455	A1	*	4/2009	Worones	.....	324/114
2010/0181990	A1	*	7/2010	Hudson et al.	.....	324/115
2011/0074395	A1	*	3/2011	Marzynski et al.	.....	324/114

\* cited by examiner

*Primary Examiner* — Antoine D Davis

(74) *Attorney, Agent, or Firm* — Perkins Coie LLP

(57) **CLAIM**

The ornamental design for a digital multimeter with wireless transmitter, as shown.

**DESCRIPTION**

FIG. 1 is a front perspective view of a digital multimeter with wireless transmitter.

FIG. 2 is a first back perspective view thereof.

FIG. 3 is a second back perspective view thereof.

FIG. 4 is a front plan view thereof.

FIG. 5 is a back plan view thereof.

FIG. 6 is a left view thereof.

FIG. 7 is a right view thereof.

FIG. 8 is a top view thereof.

FIG. 9 is a bottom view thereof.

FIG. 10 is a front perspective view of a second embodiment of a digital multimeter with wireless transmitter.

FIG. 11 is a first back perspective view thereof.

FIG. 12 is a second back perspective view thereof.

FIG. 13 is a front plan view thereof.

FIG. 14 is a back plan view thereof.

FIG. 15 is a left view thereof.

FIG. 16 is a right view thereof.

FIG. 17 is a top view thereof.

FIG. 18 is a bottom view thereof.

FIG. 19 is a front perspective view of a third embodiment of a digital multimeter with wireless transmitter.

FIG. 20 is a first back perspective view thereof.

FIG. 21 is a second back perspective view thereof.

FIG. 22 is a front plan view thereof.

FIG. 23 is a back plan view thereof.

FIG. 24 is a left view thereof.

FIG. 25 is a right view thereof.

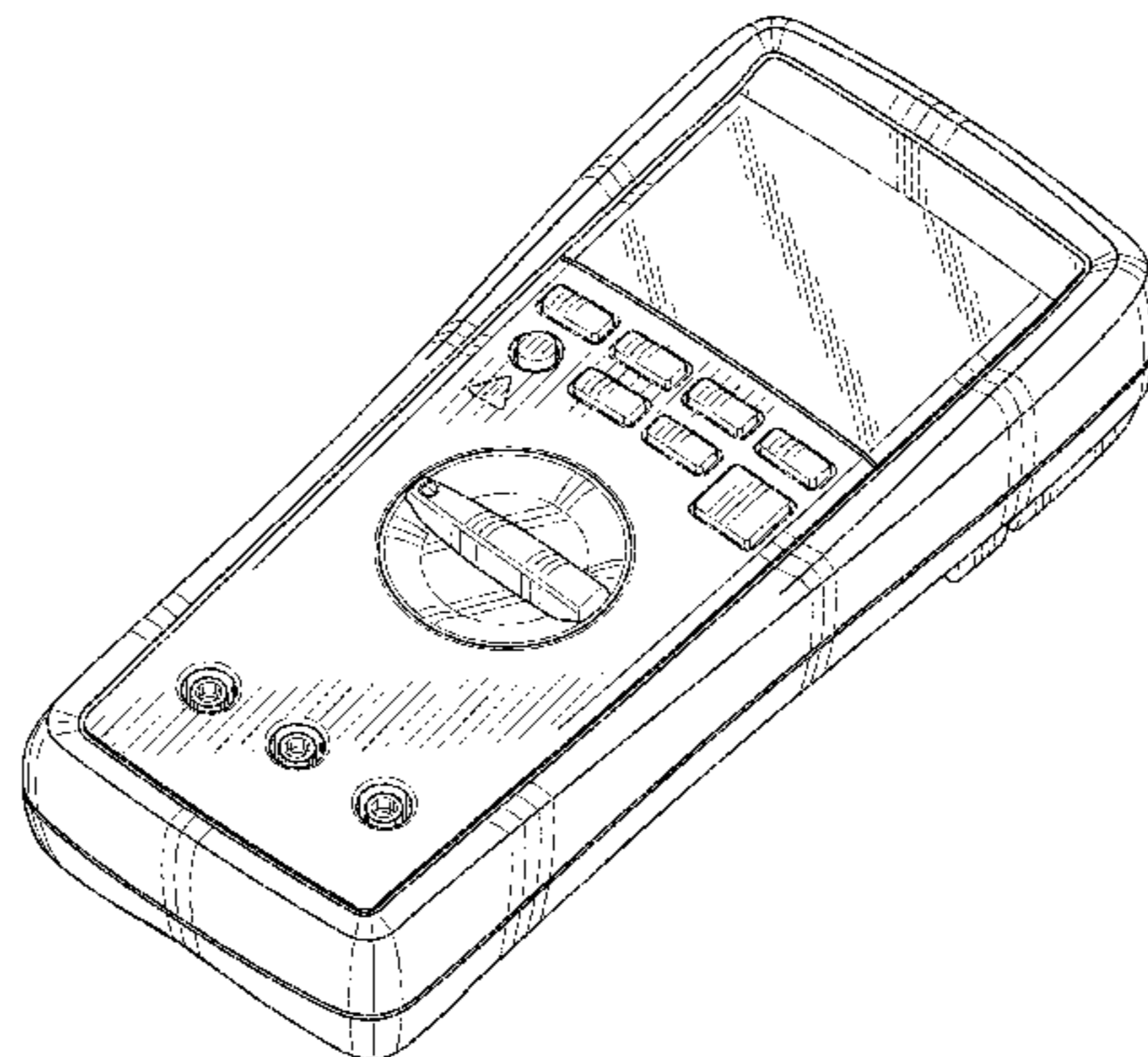


FIG. 26 is a top view thereof.  
FIG. 27 is a bottom view thereof.  
FIG. 28 is a front perspective view of a fourth embodiment of a digital multimeter with wireless transmitter.  
FIG. 29 is a first back perspective view thereof.  
FIG. 30 is a second back perspective view thereof.  
FIG. 31 is a front plan view thereof.  
FIG. 32 is a back plan view thereof.  
FIG. 33 is a left view thereof.  
FIG. 34 is a right view thereof.  
FIG. 35 is a top view thereof.  
FIG. 36 is a bottom view thereof.  
FIG. 37 is a front perspective view of a fifth embodiment of a digital multimeter with wireless transmitter.  
FIG. 38 is a back perspective view thereof.  
FIG. 39 is a front plan view thereof.

FIG. 40 is a back plan view thereof.  
FIG. 41 is a left view thereof.  
FIG. 42 is a right view thereof.  
FIG. 43 is a top view thereof.  
FIG. 44 is a bottom view thereof.  
FIG. 45 is a front perspective view of a sixth embodiment of a digital multimeter with wireless transmitter.  
FIG. 46 is a back perspective view thereof.  
FIG. 47 is a front plan view thereof.  
FIG. 48 is a back plan view thereof.  
FIG. 49 is a left view thereof.  
FIG. 50 is a right view thereof.  
FIG. 51 is a top view thereof; and,  
FIG. 52 is a bottom view thereof.  
The broken lines form no part of the claimed design.

**1 Claim, 46 Drawing Sheets**

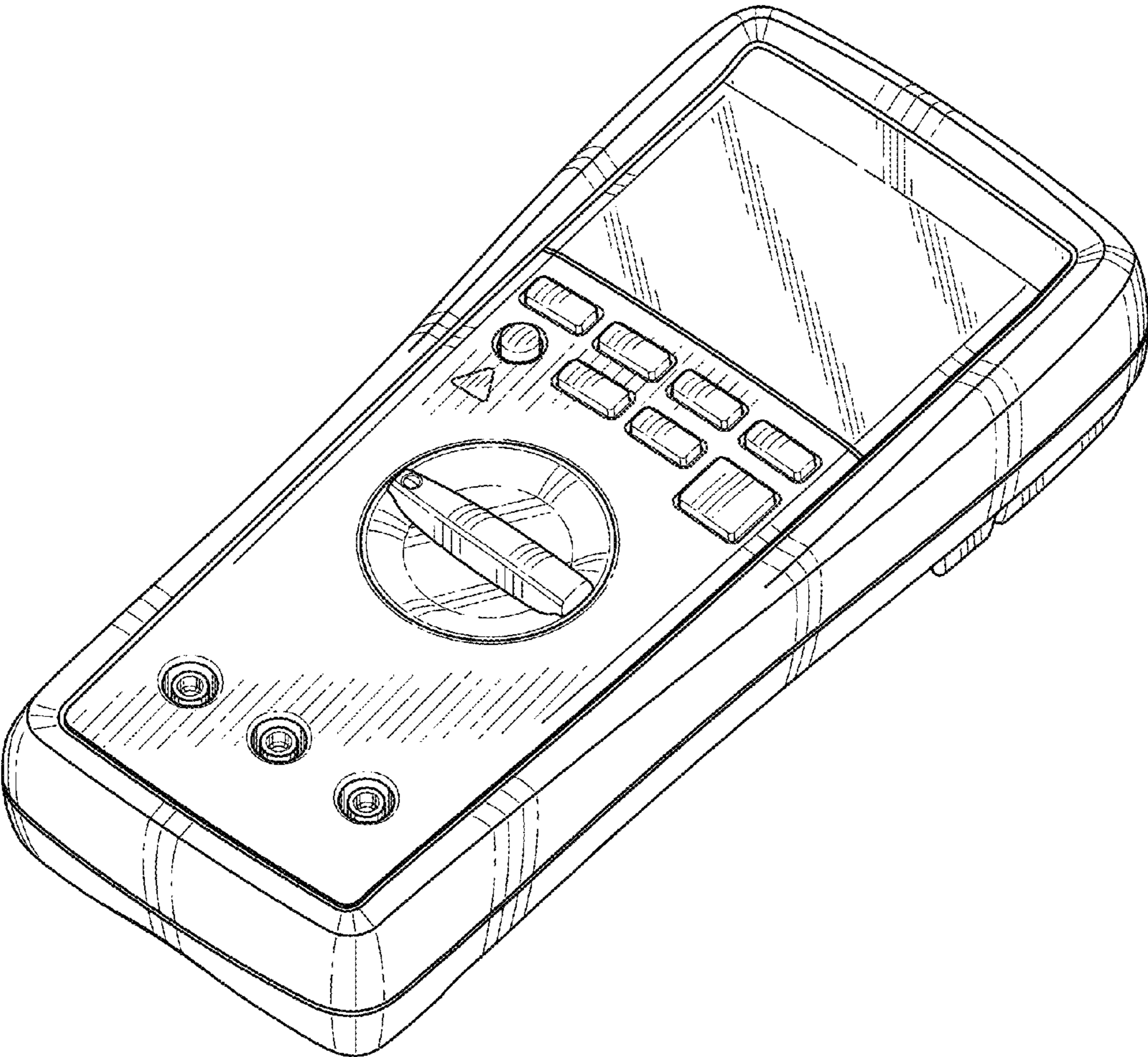


FIG. 1

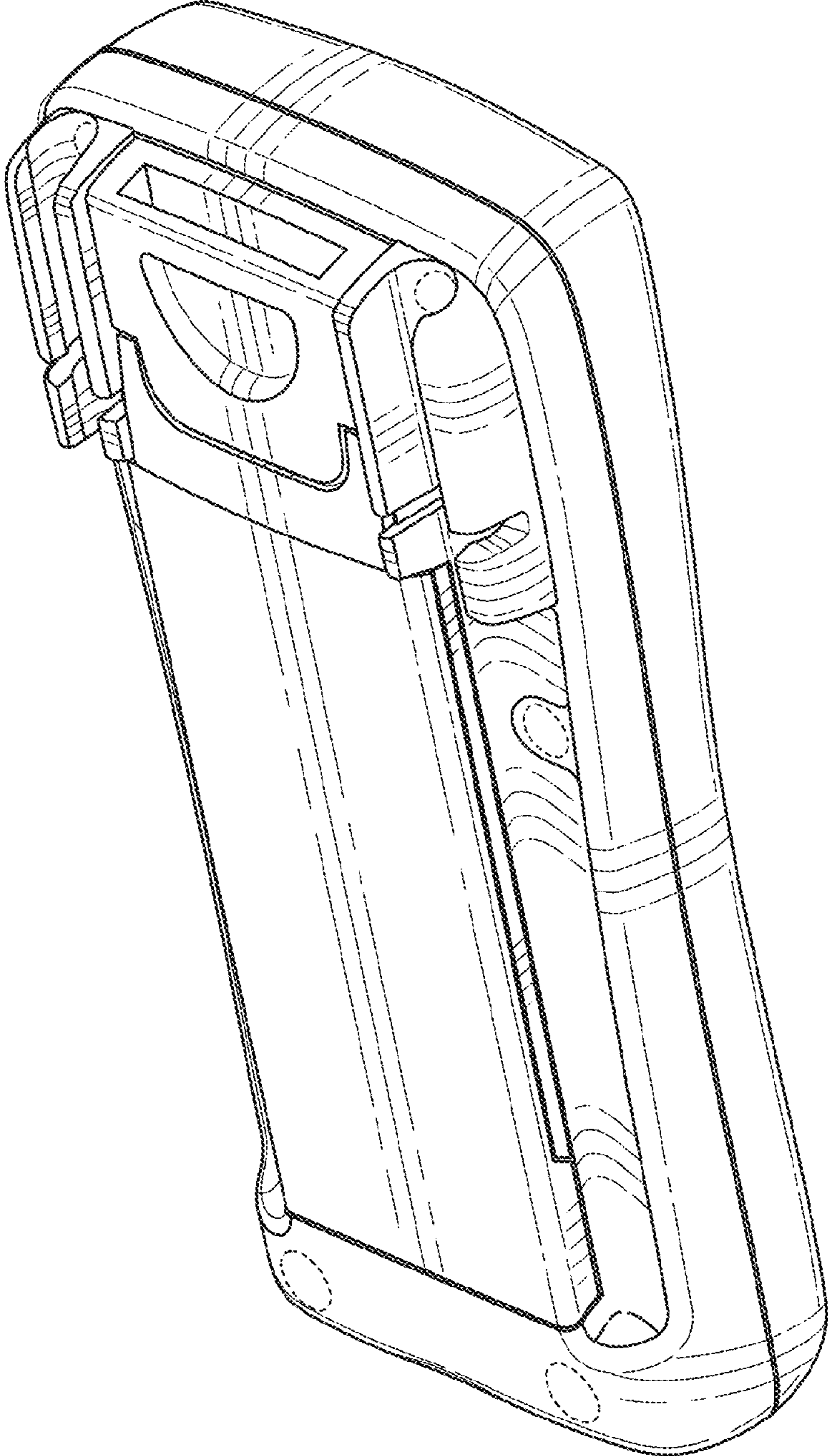


FIG. 2

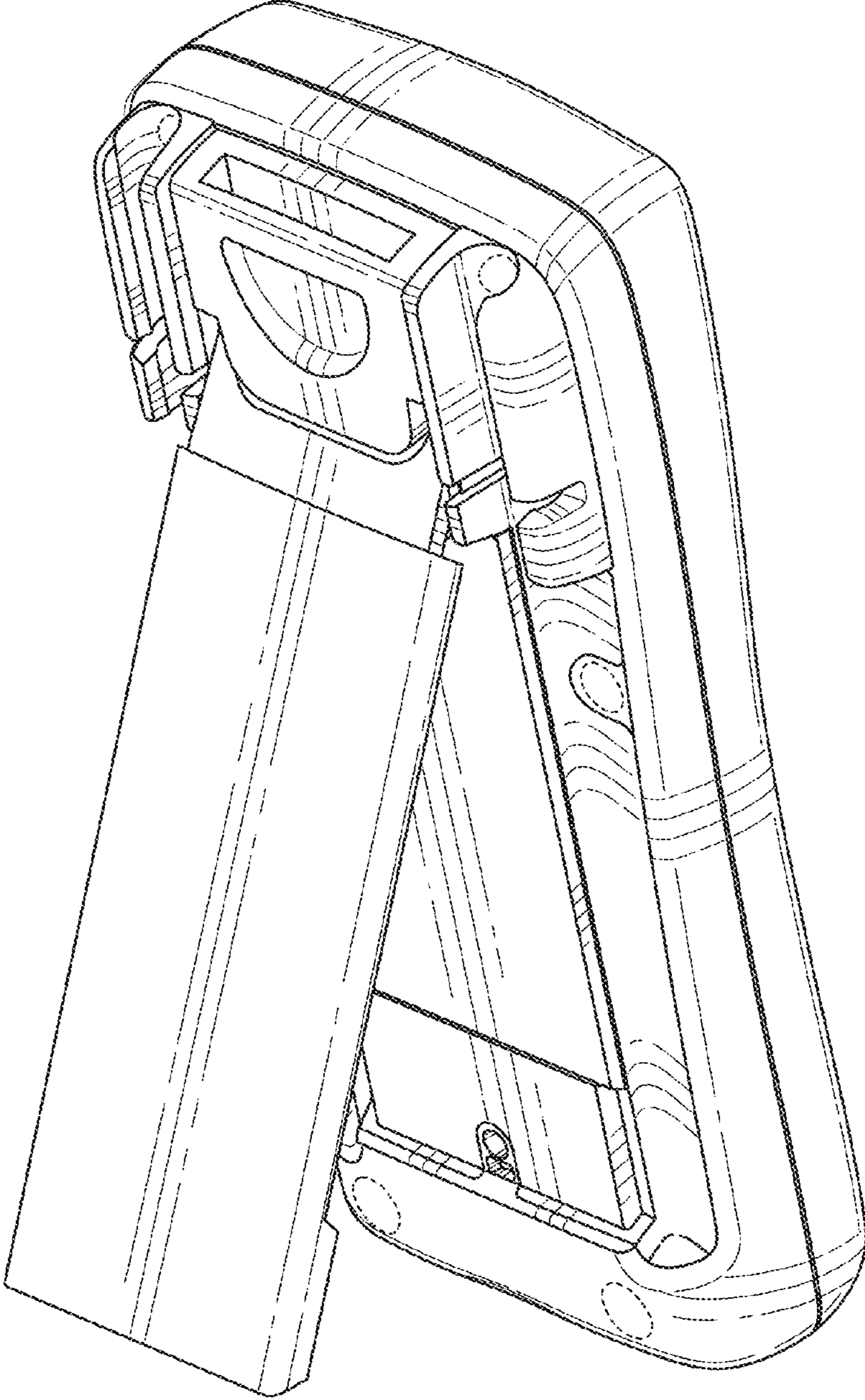


FIG. 3

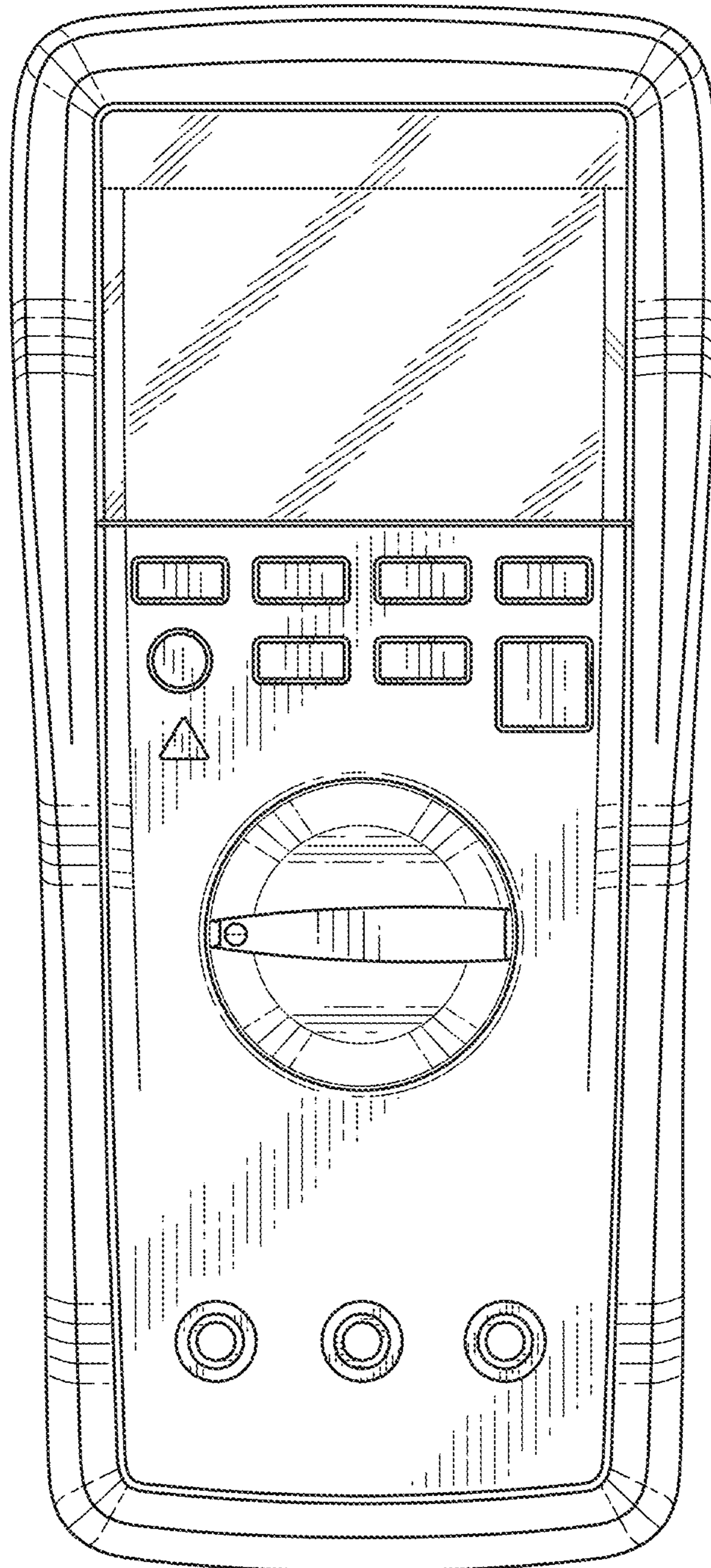


FIG. 4

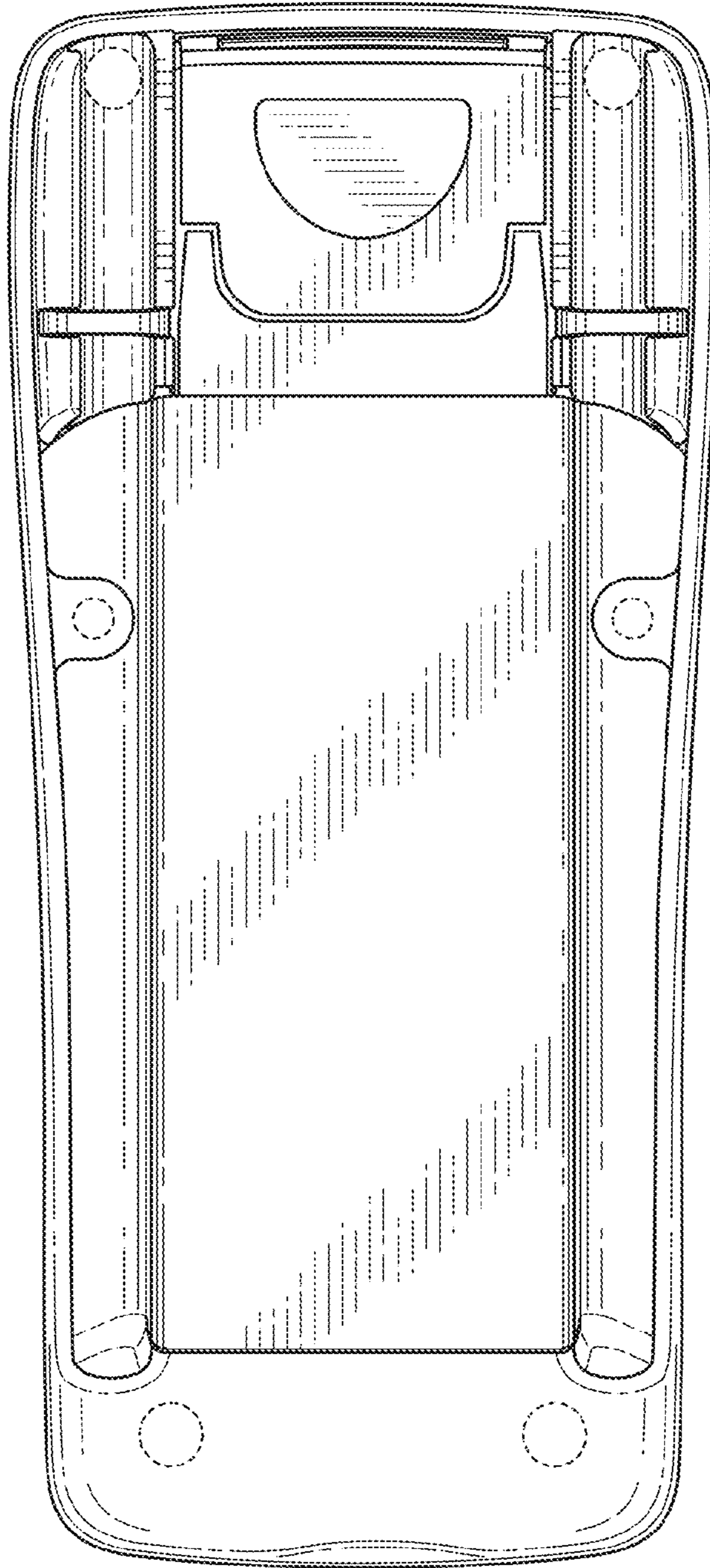


FIG. 5

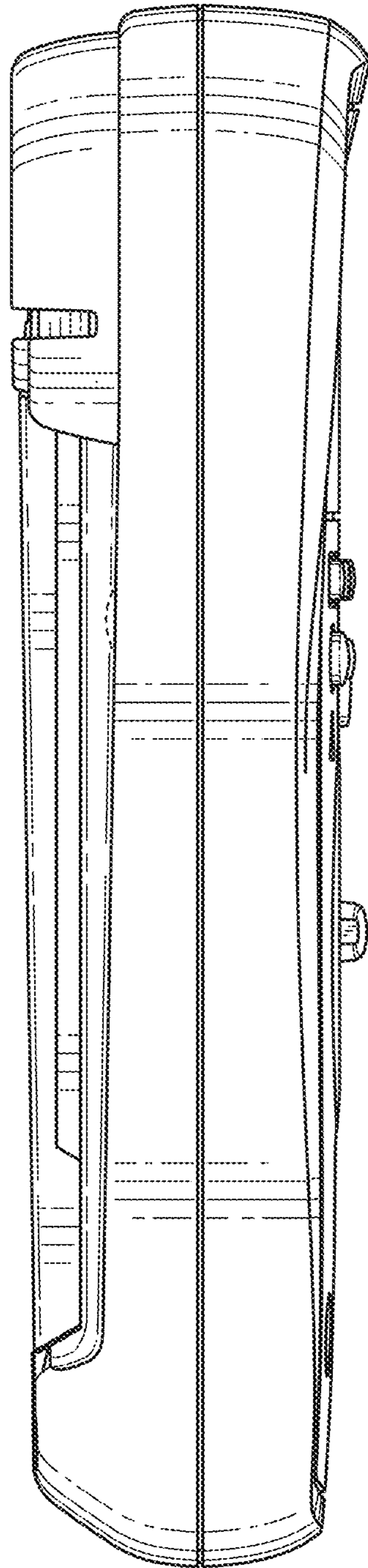


FIG. 6



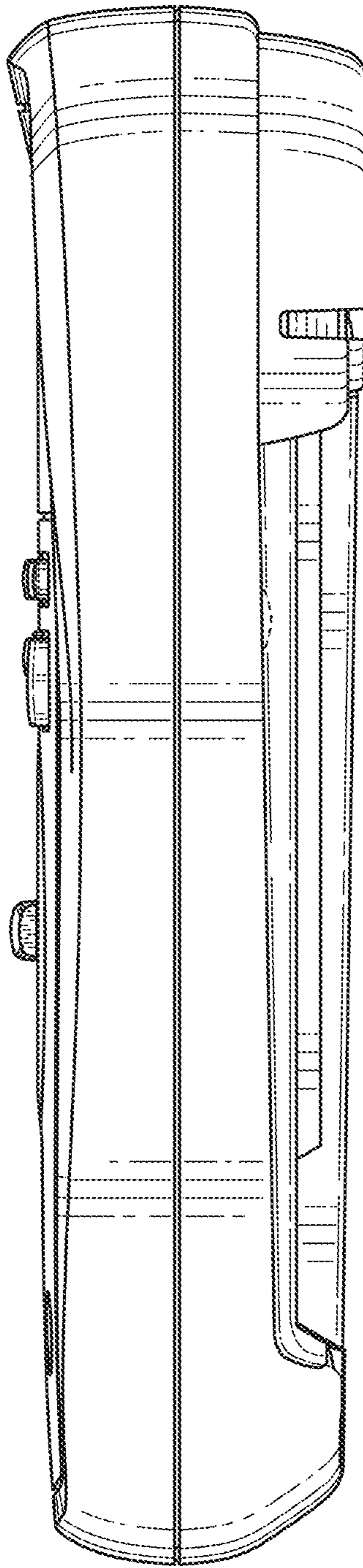


FIG. 7

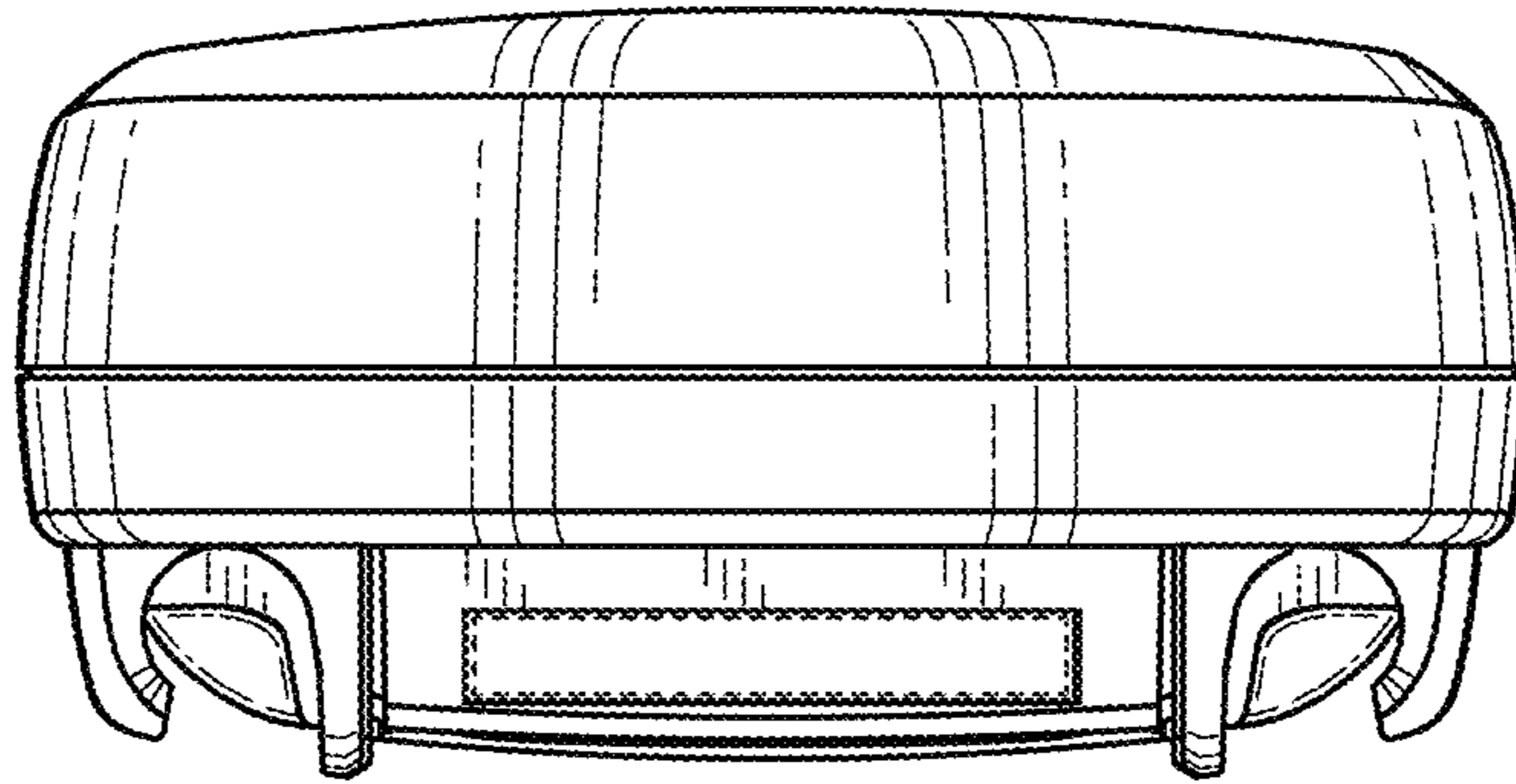


FIG. 8

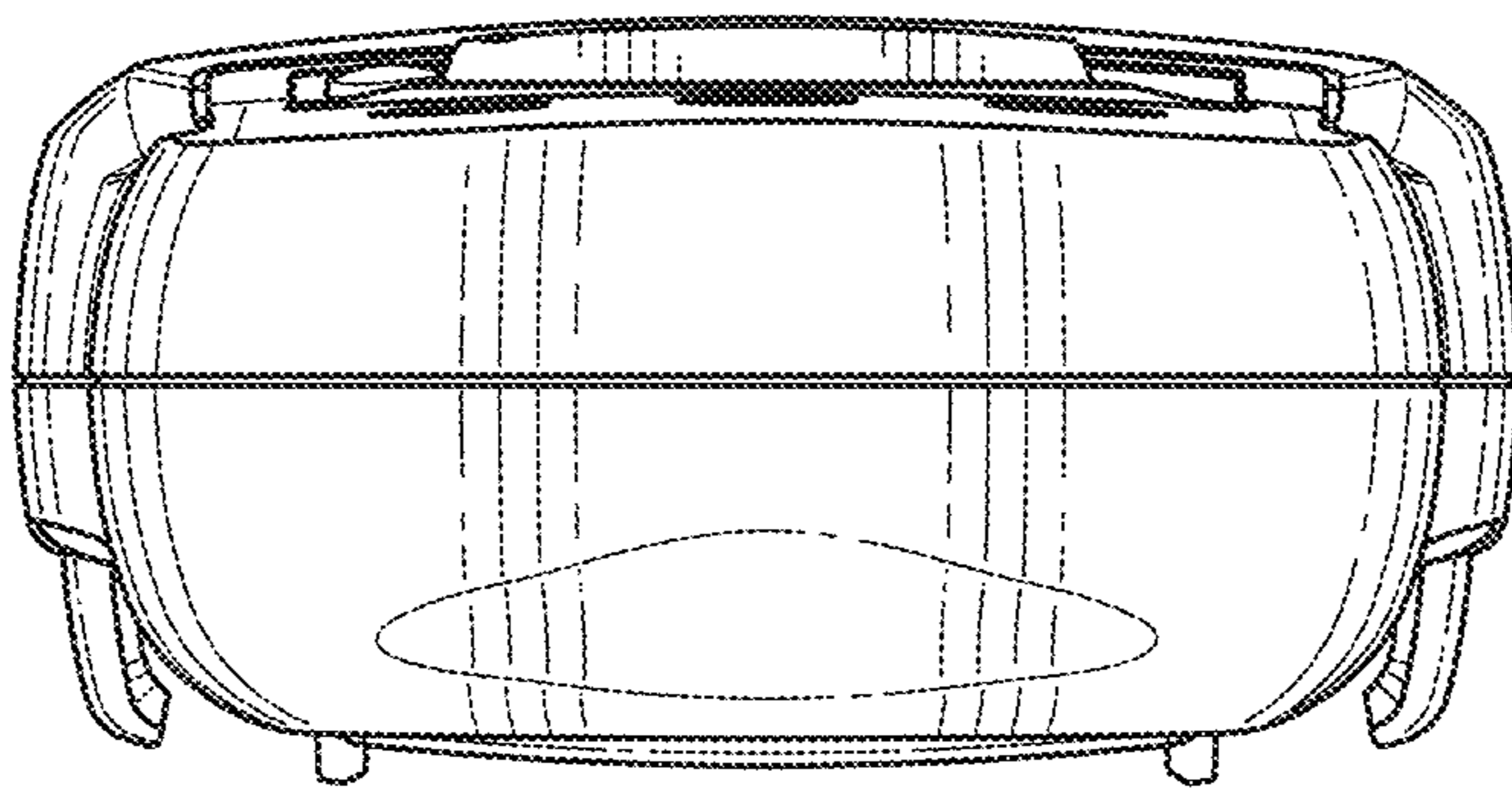


FIG. 9

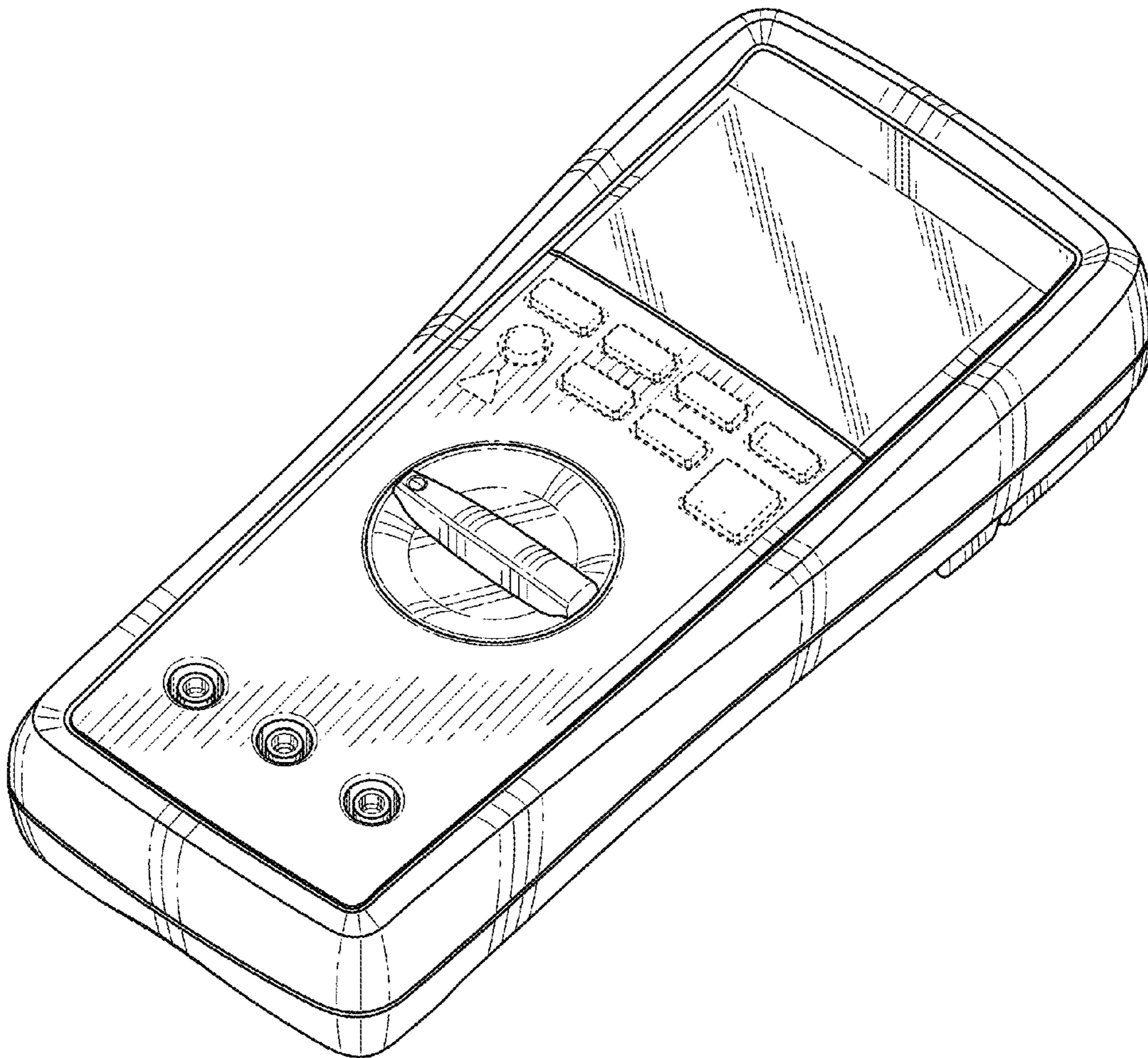


FIG. 10

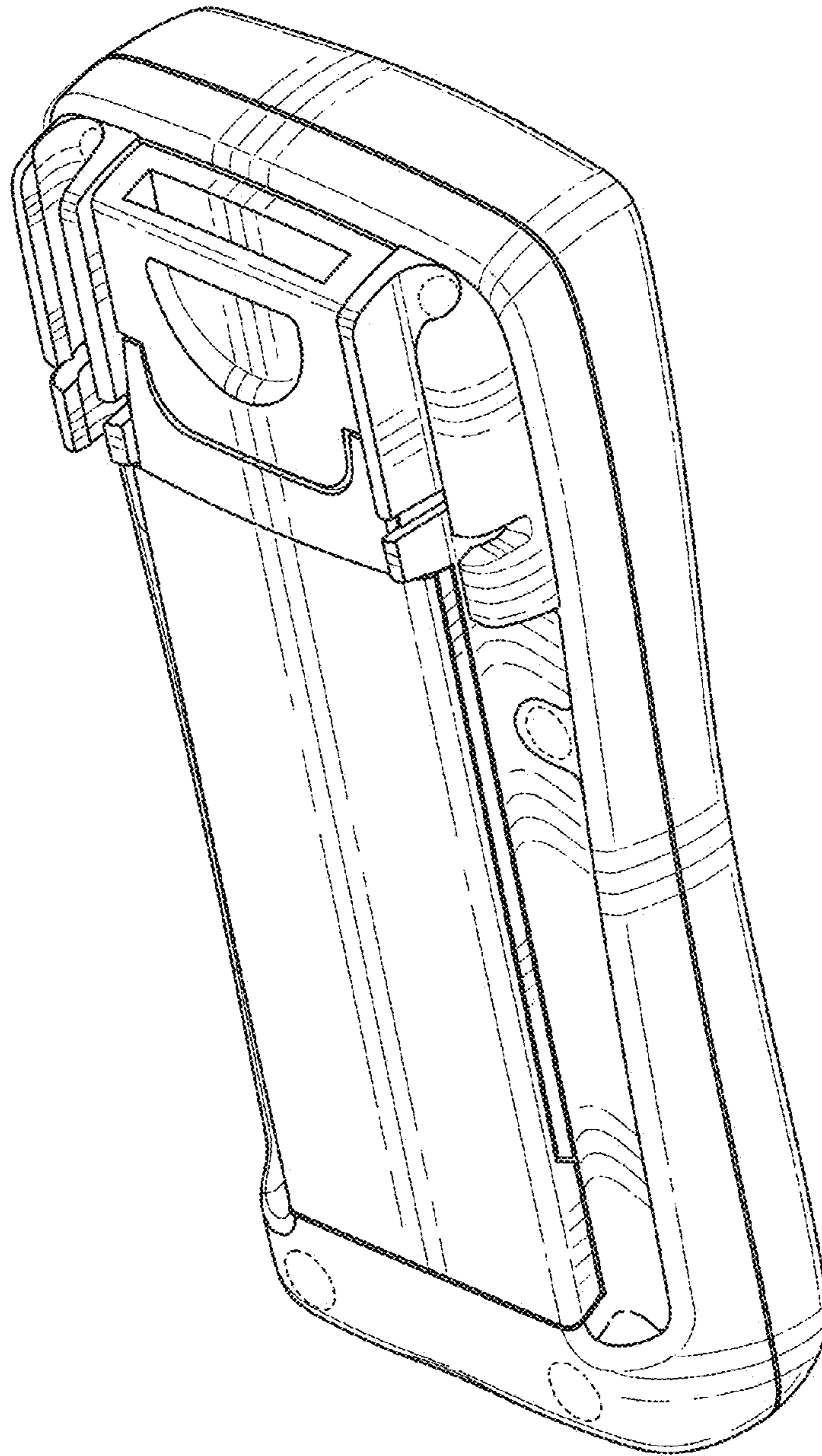


FIG. 11

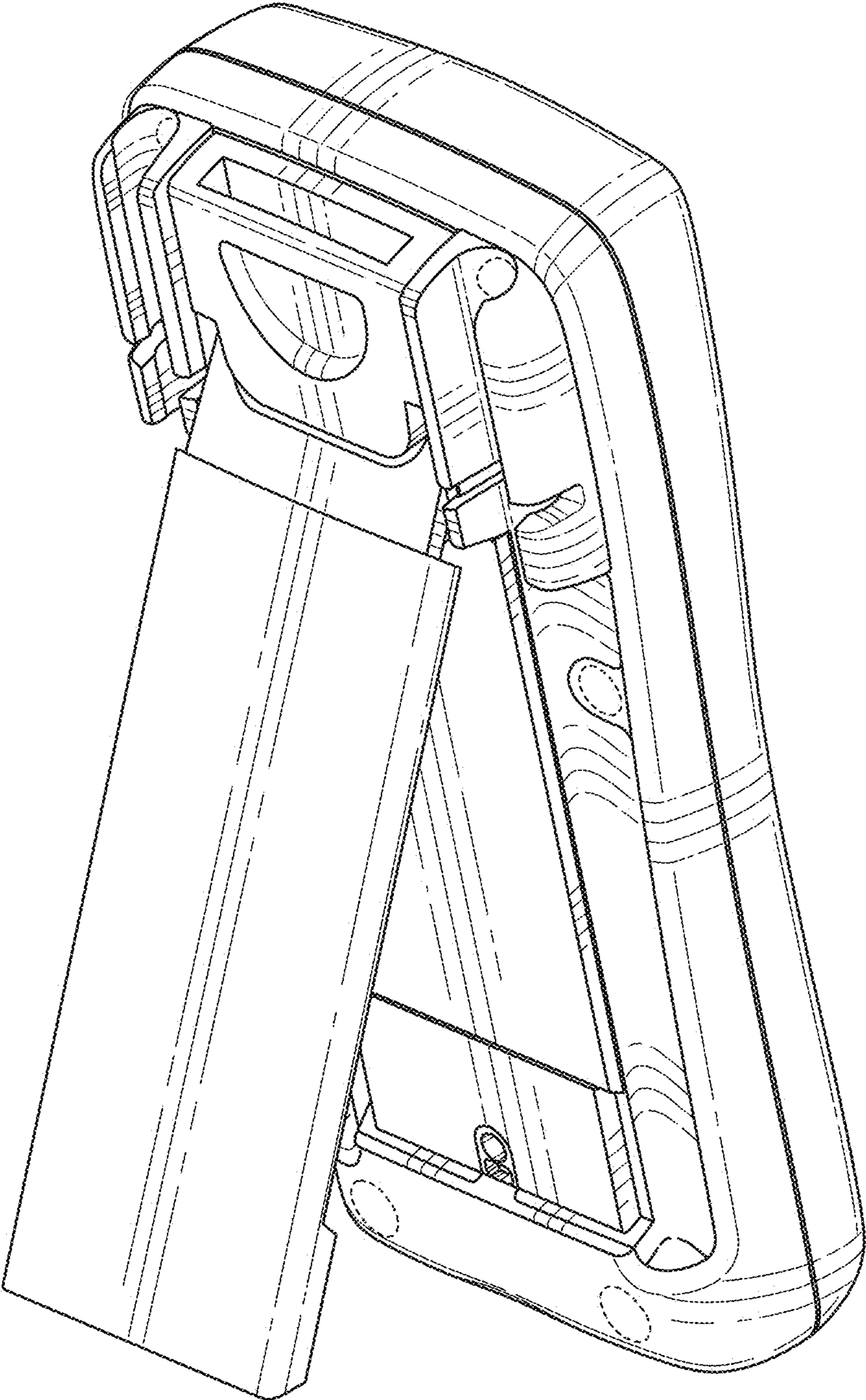


FIG. 12

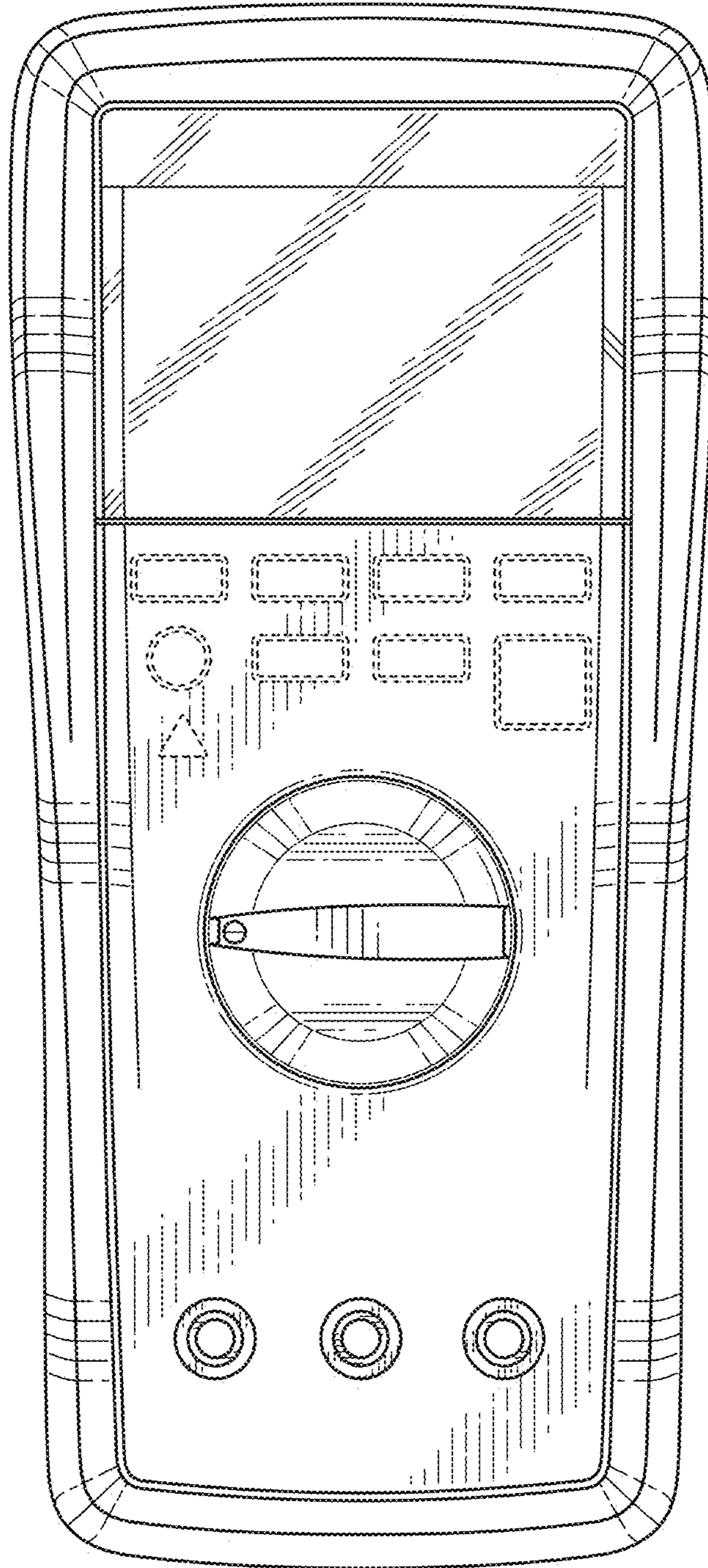


FIG. 13

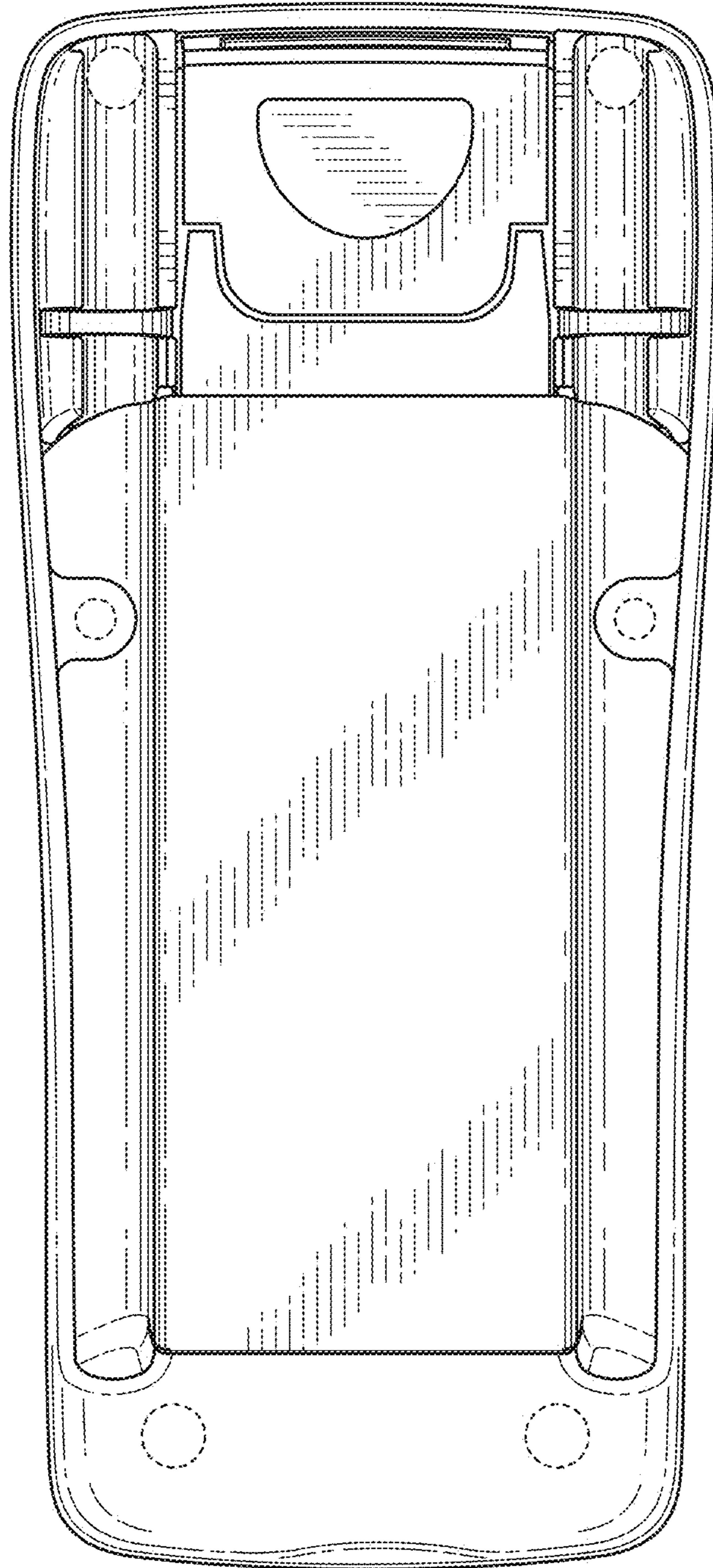


FIG. 14

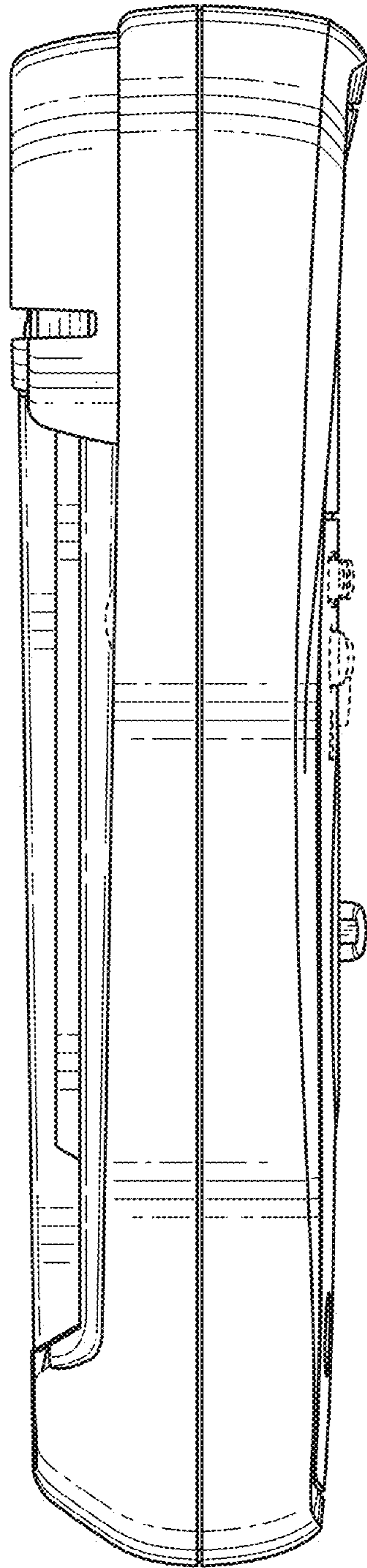


FIG. 15



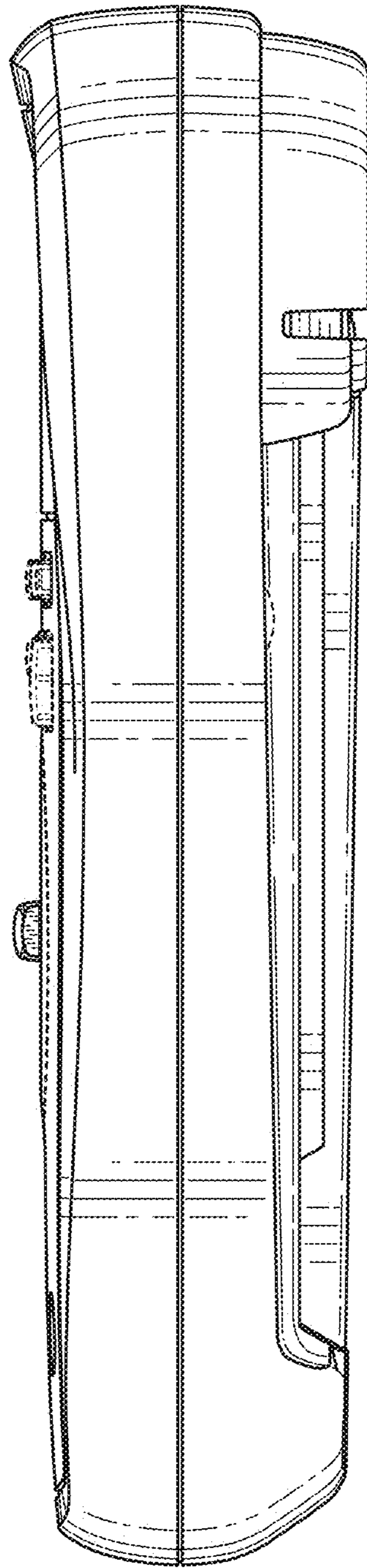


FIG. 16

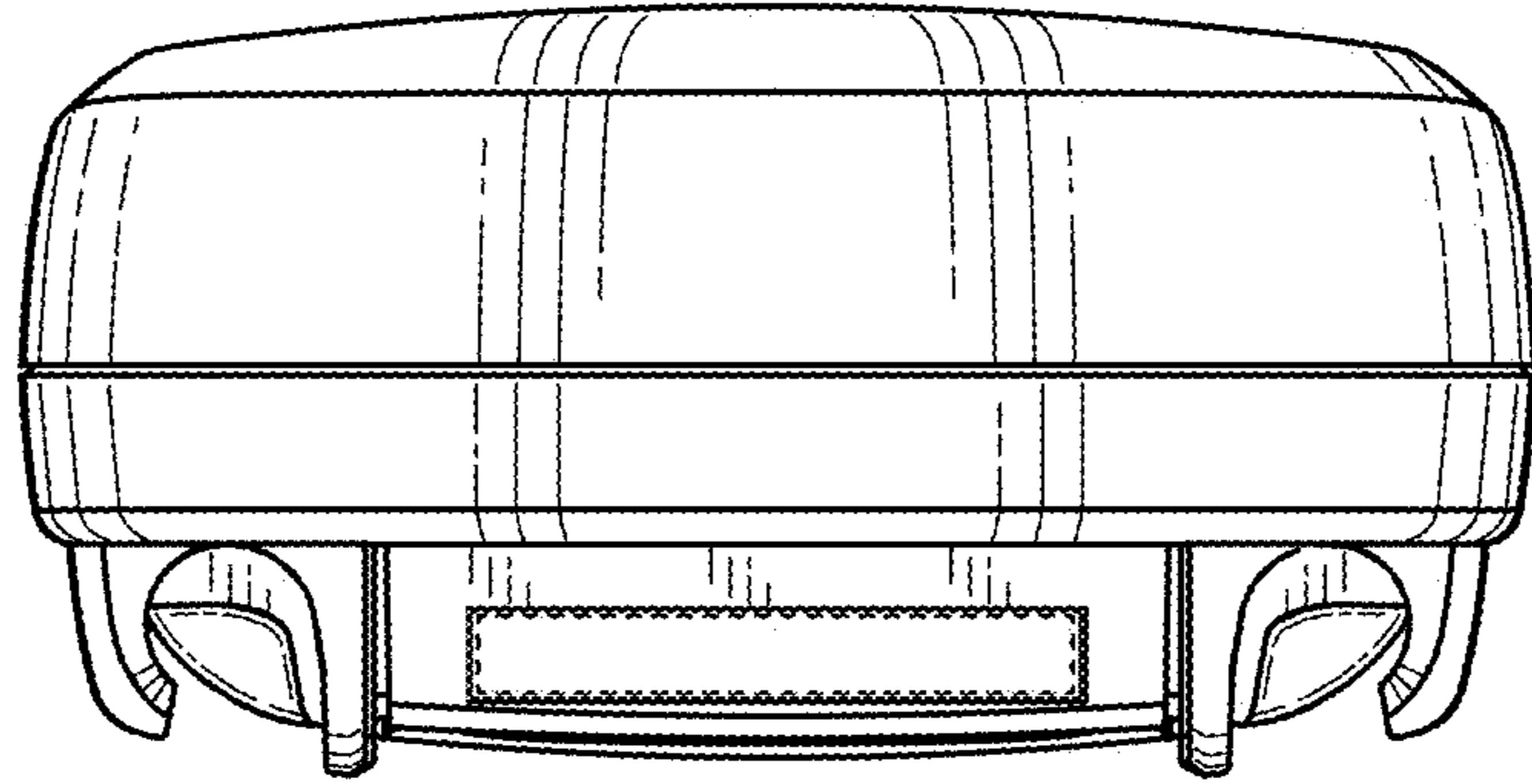


FIG. 17

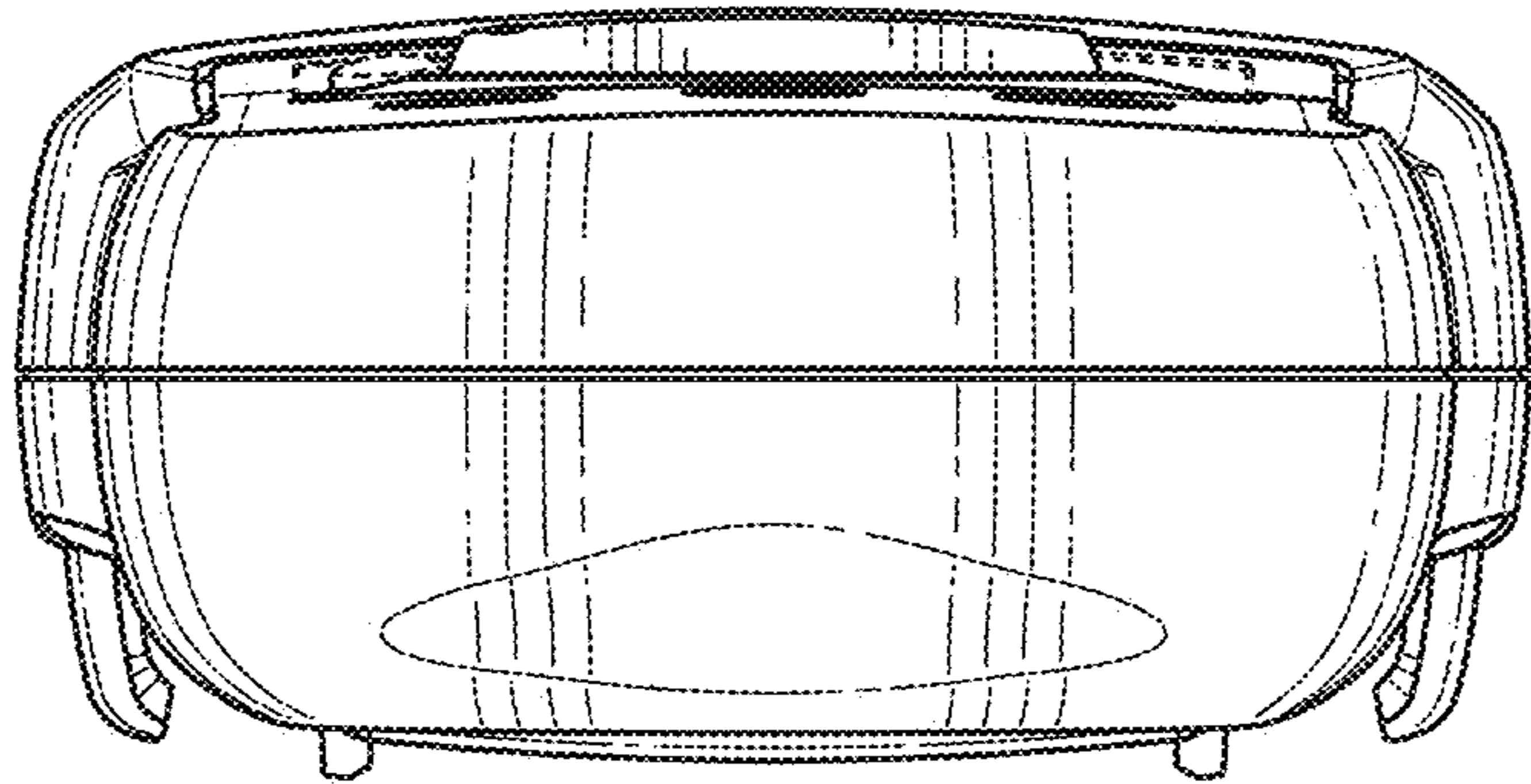


FIG. 18

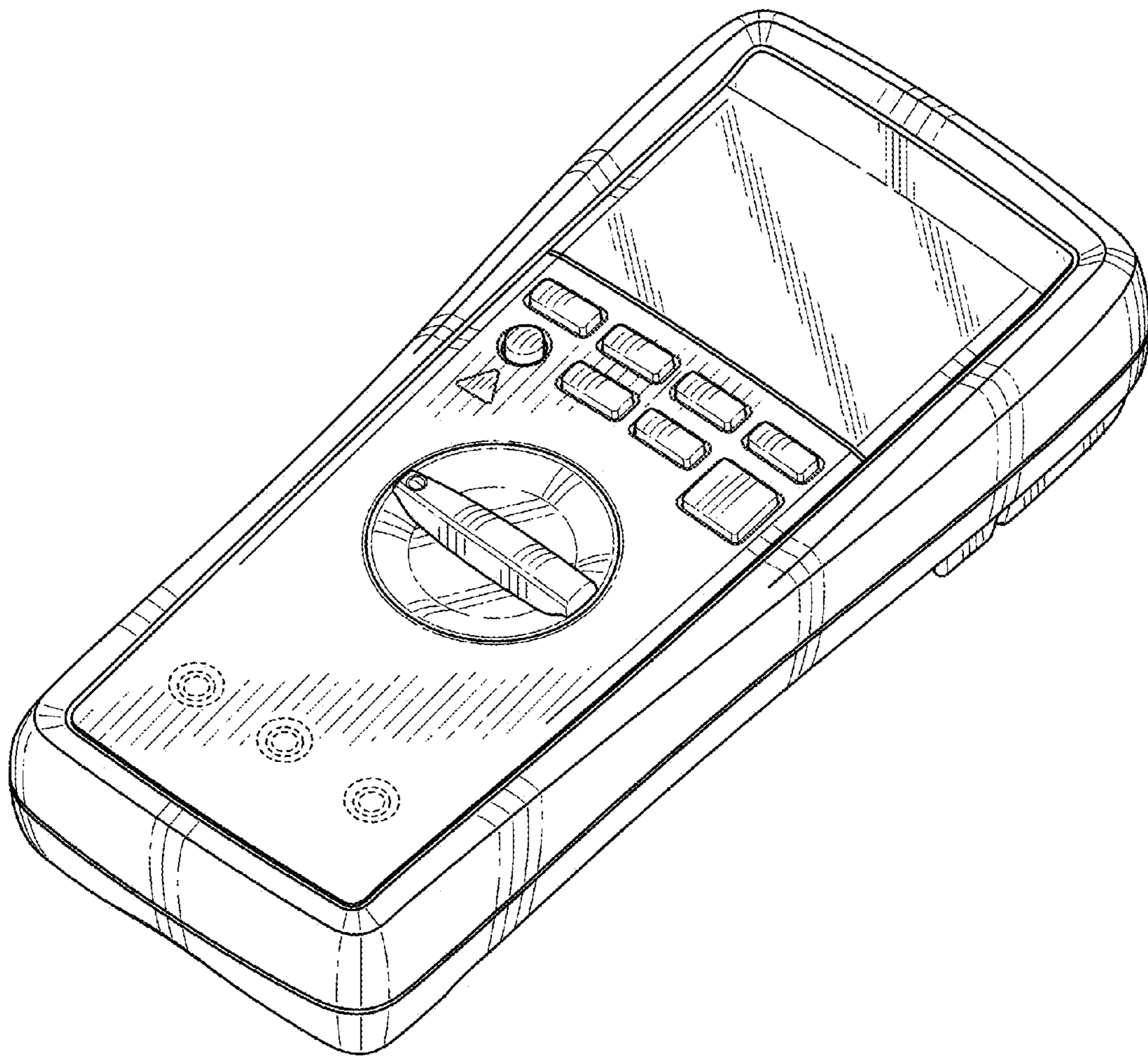


FIG. 19

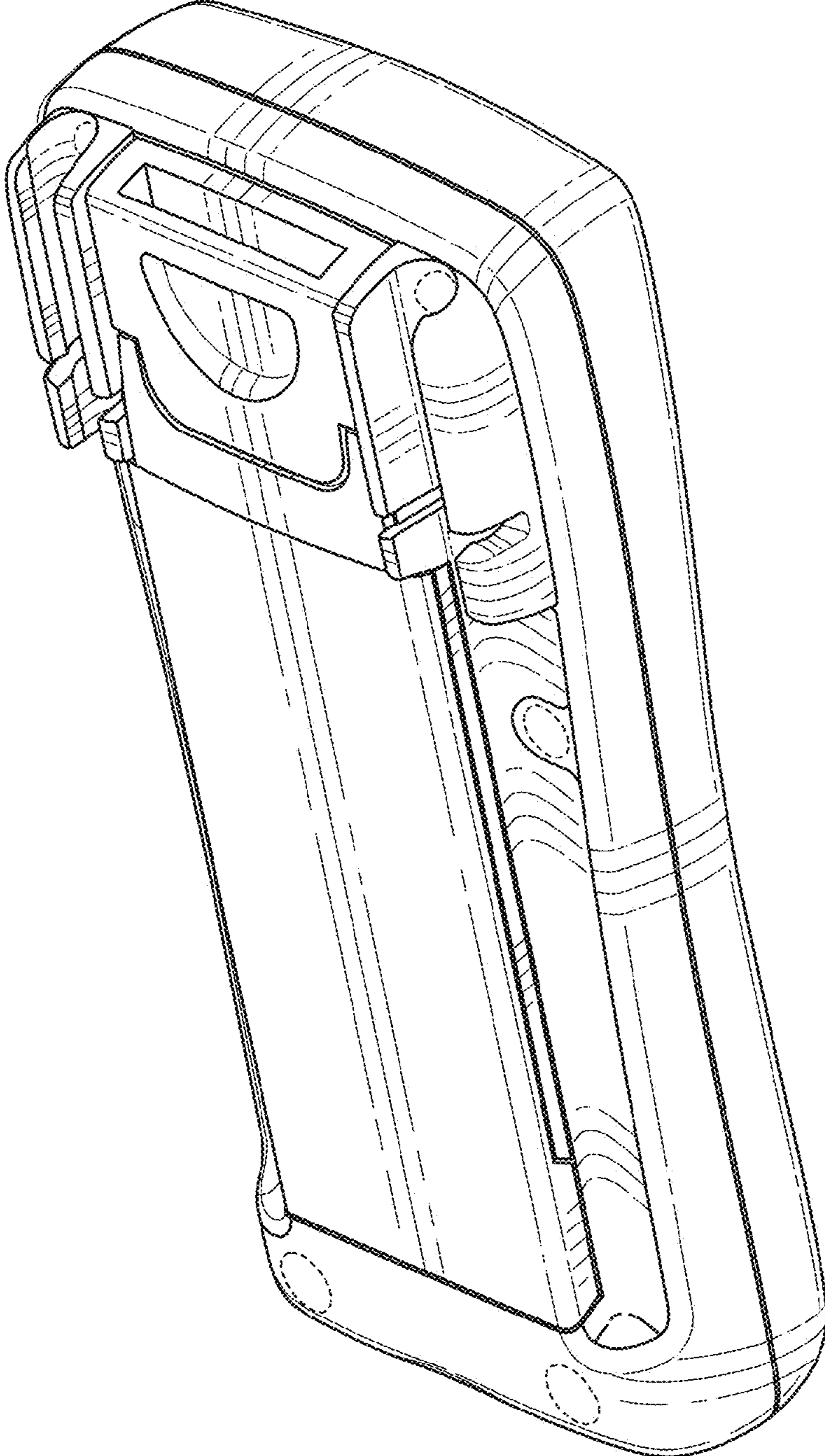


FIG. 20

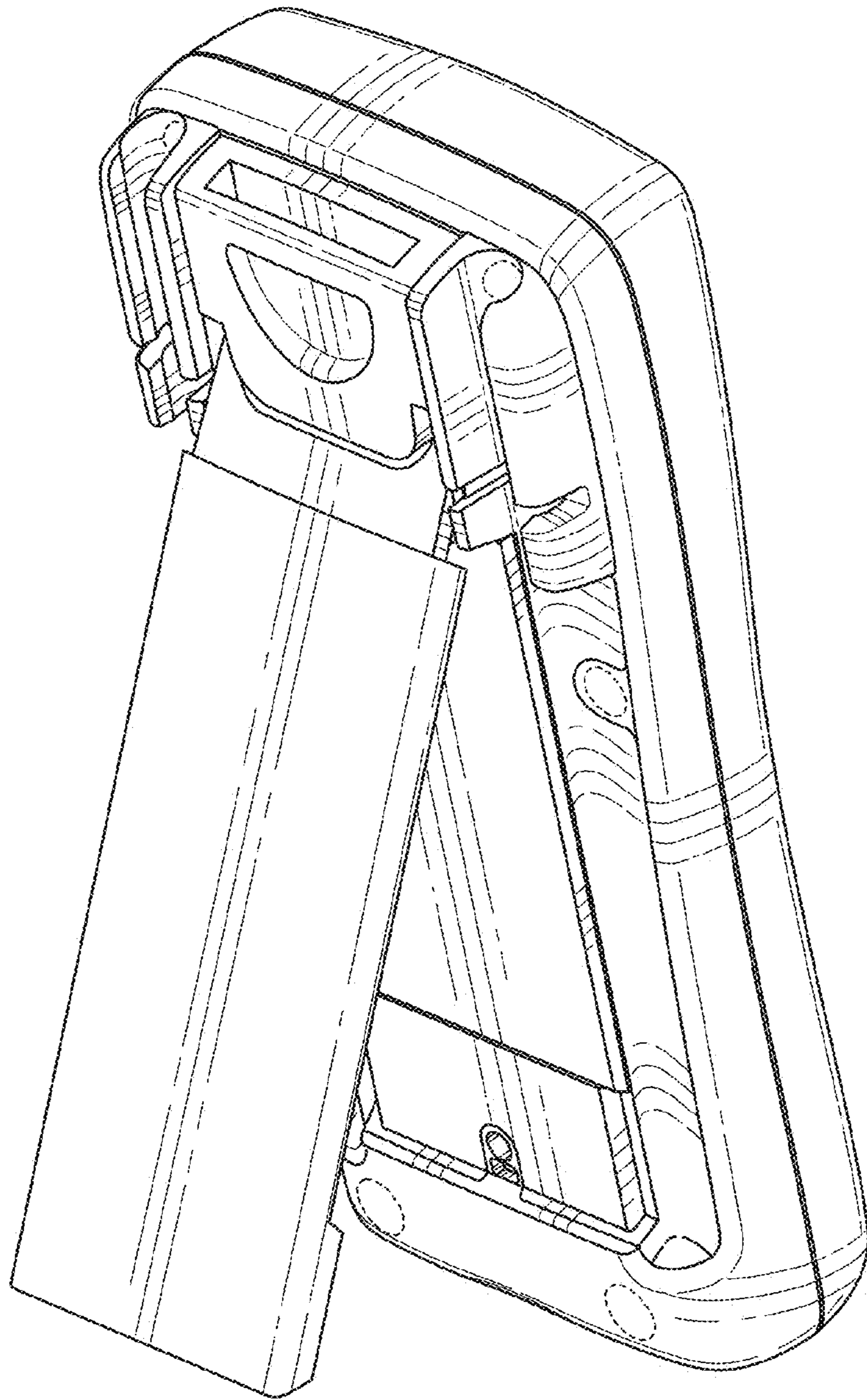


FIG. 21

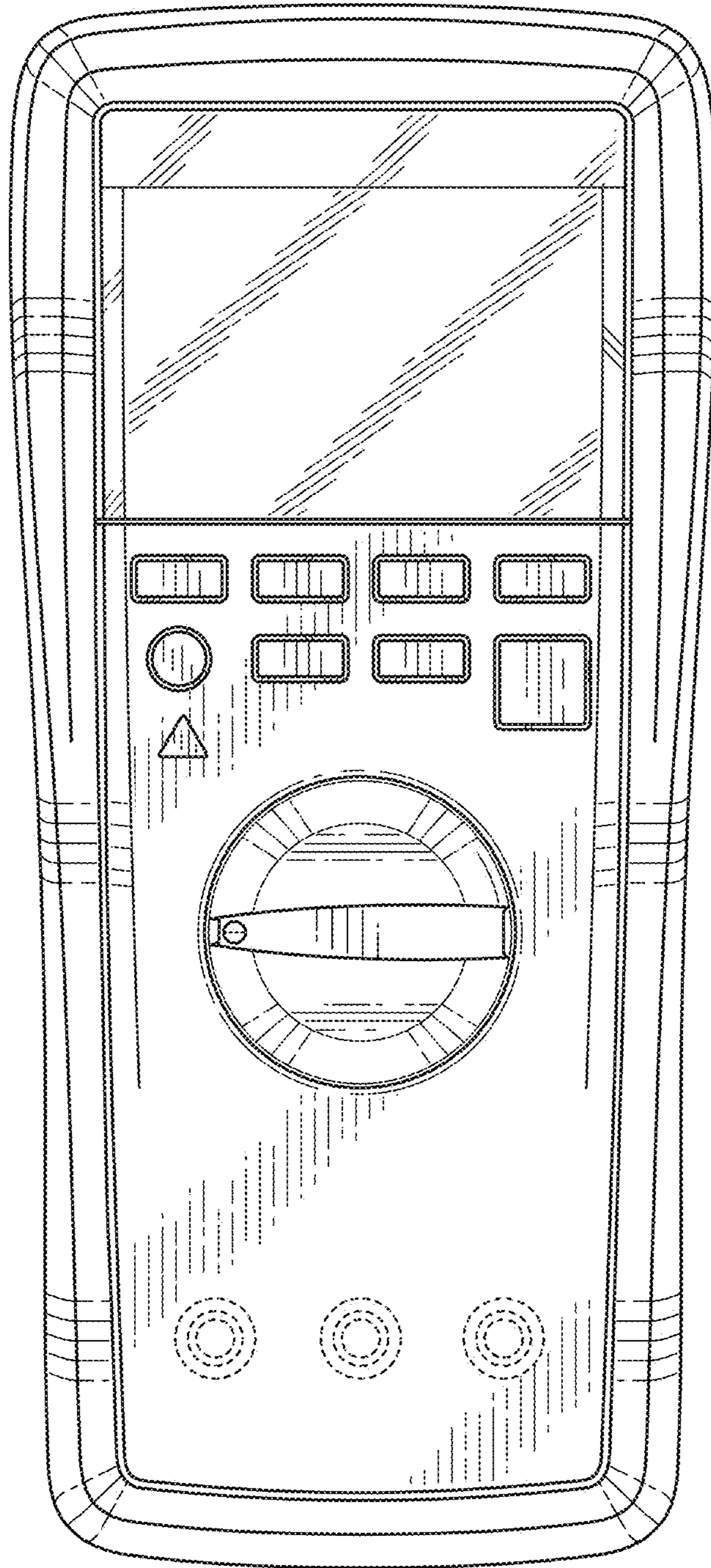


FIG. 22

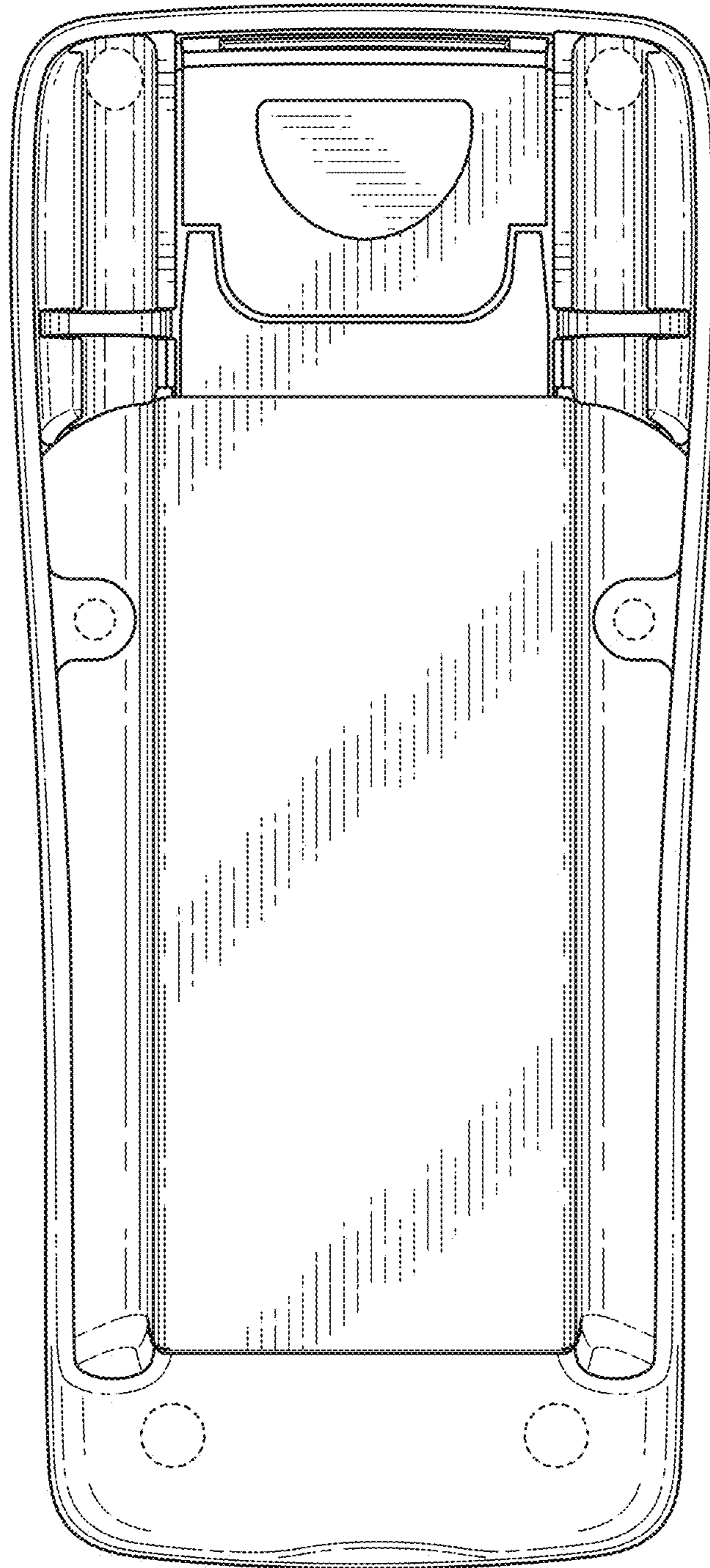


FIG. 23

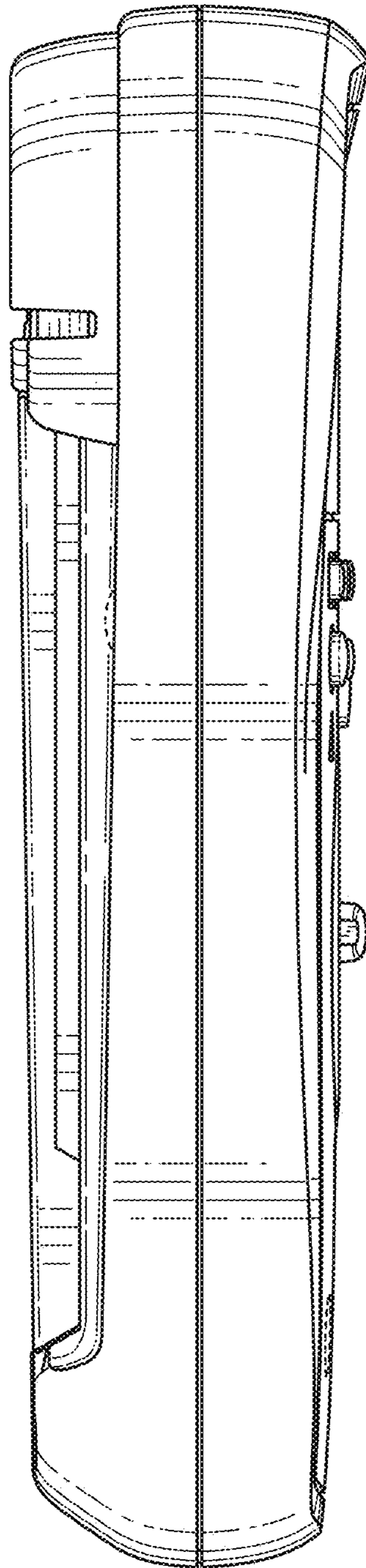


FIG. 24



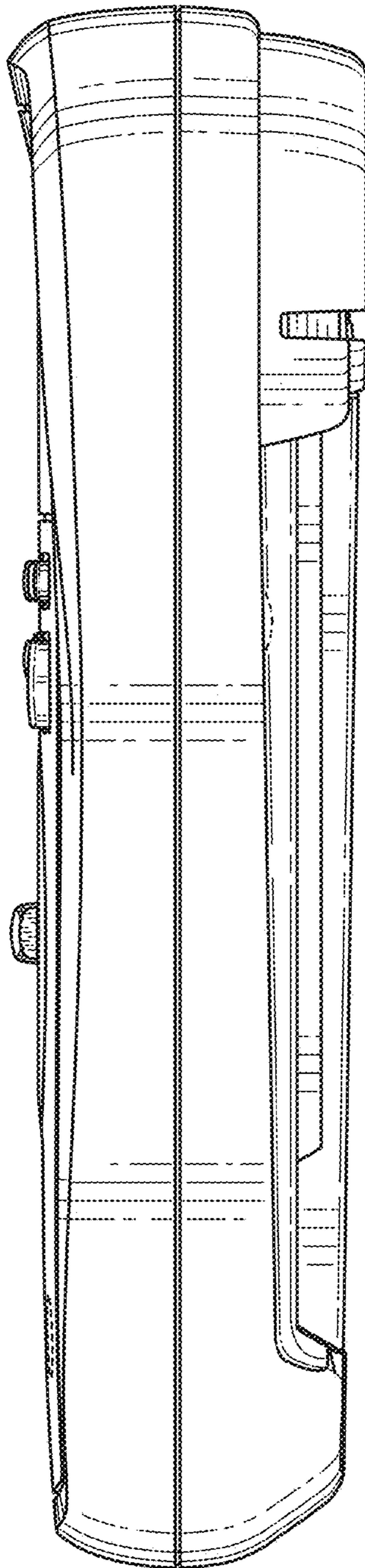


FIG. 25

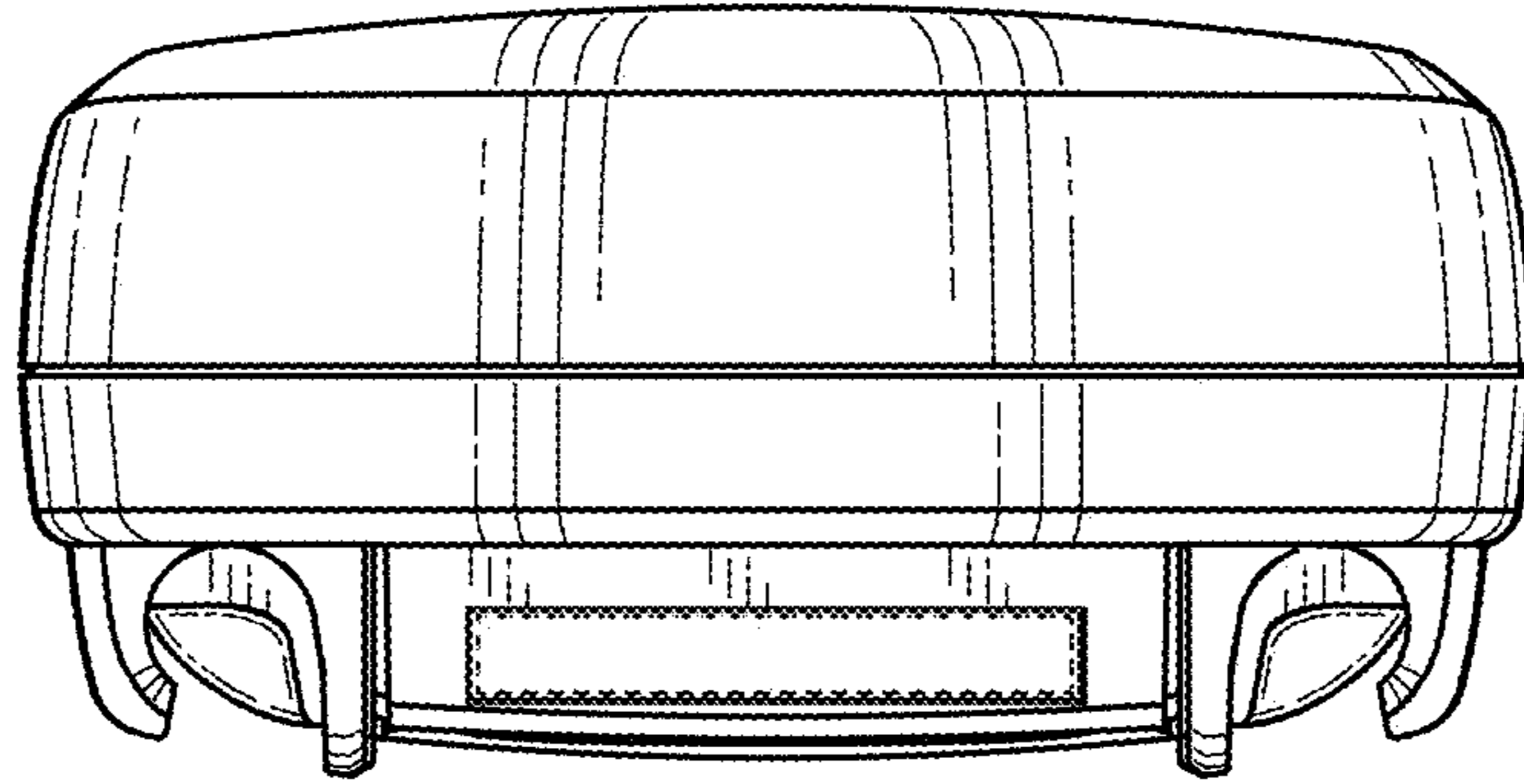


FIG. 26

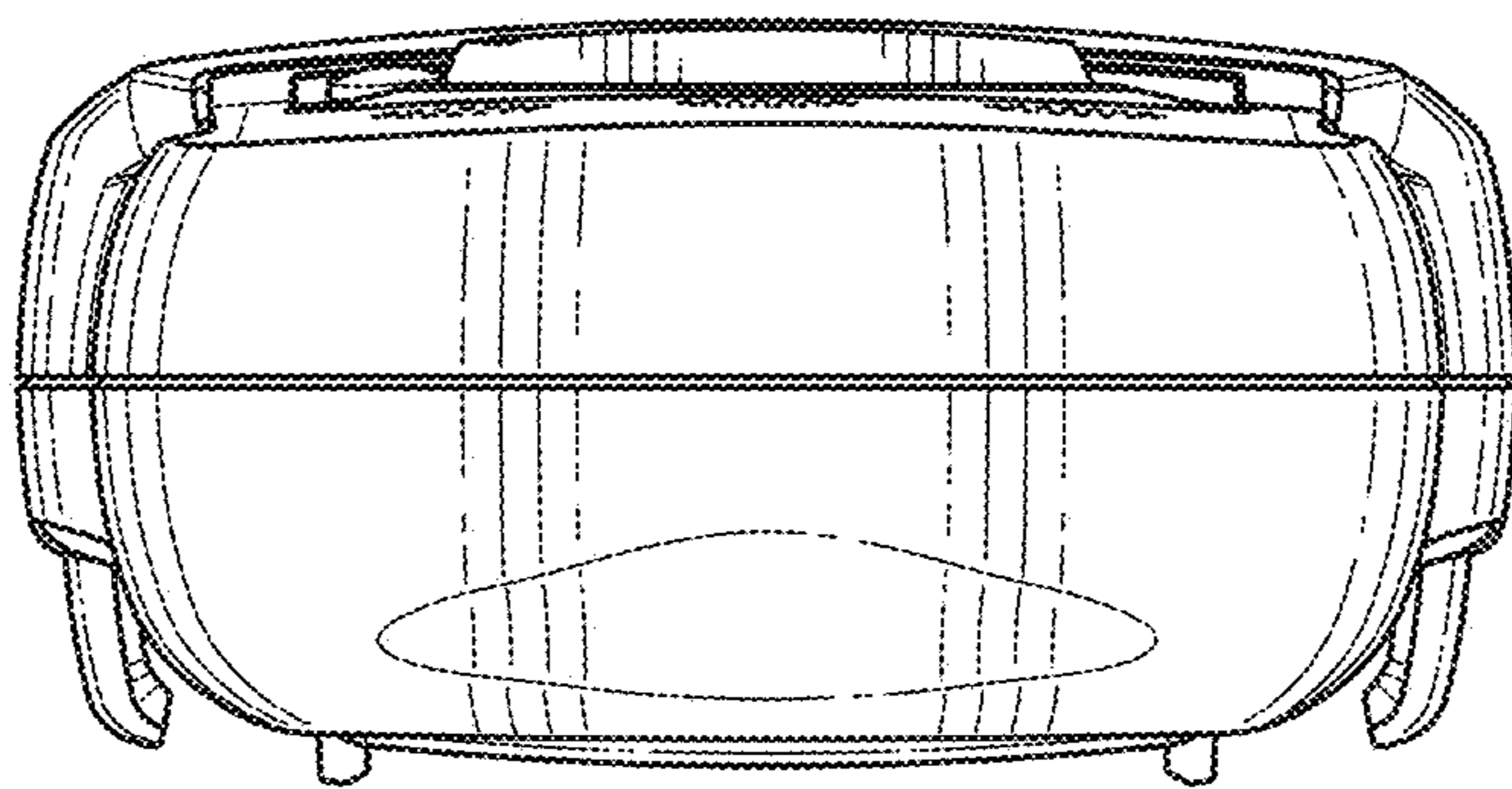


FIG. 27

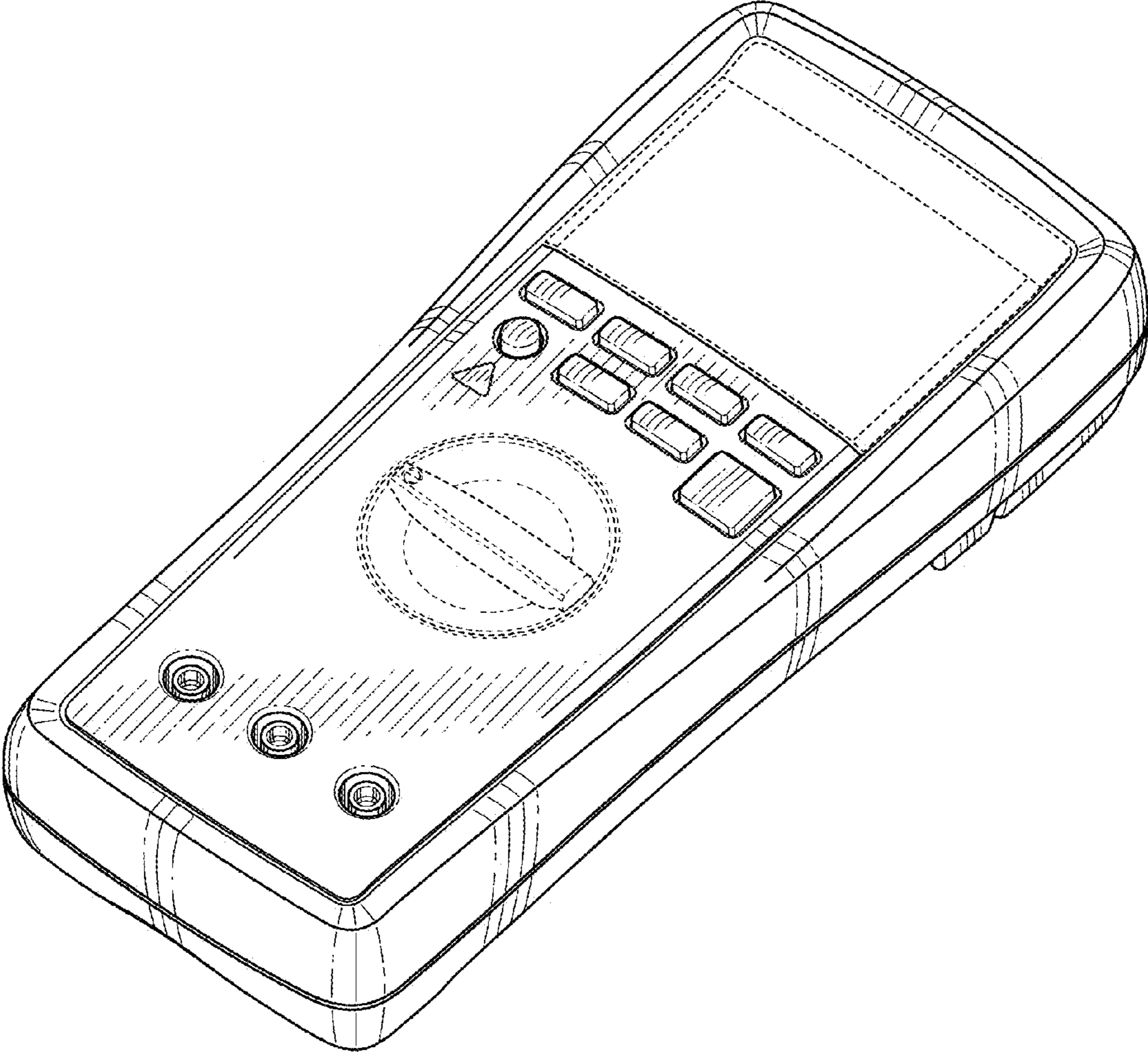


FIG. 28

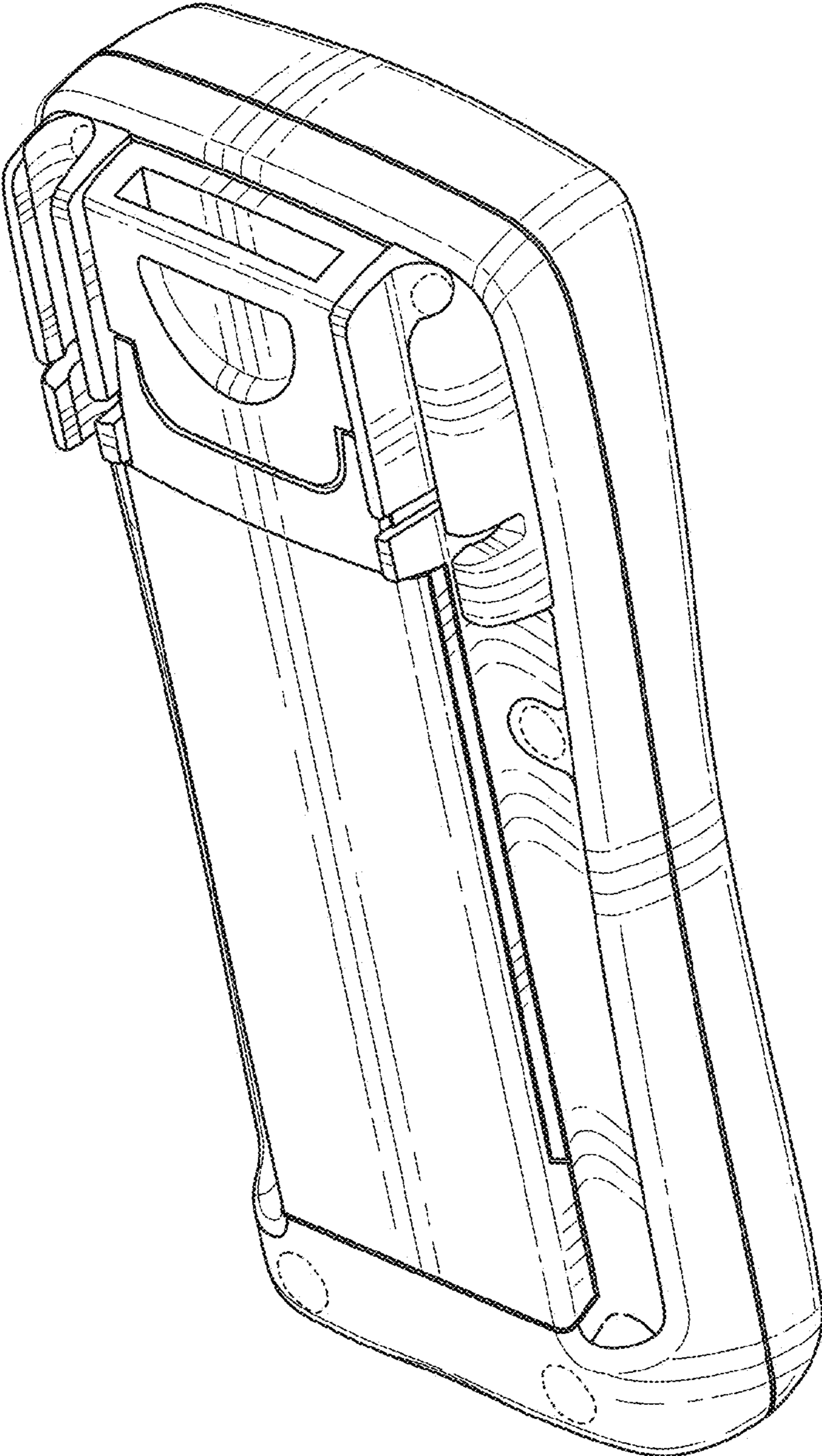


FIG. 29

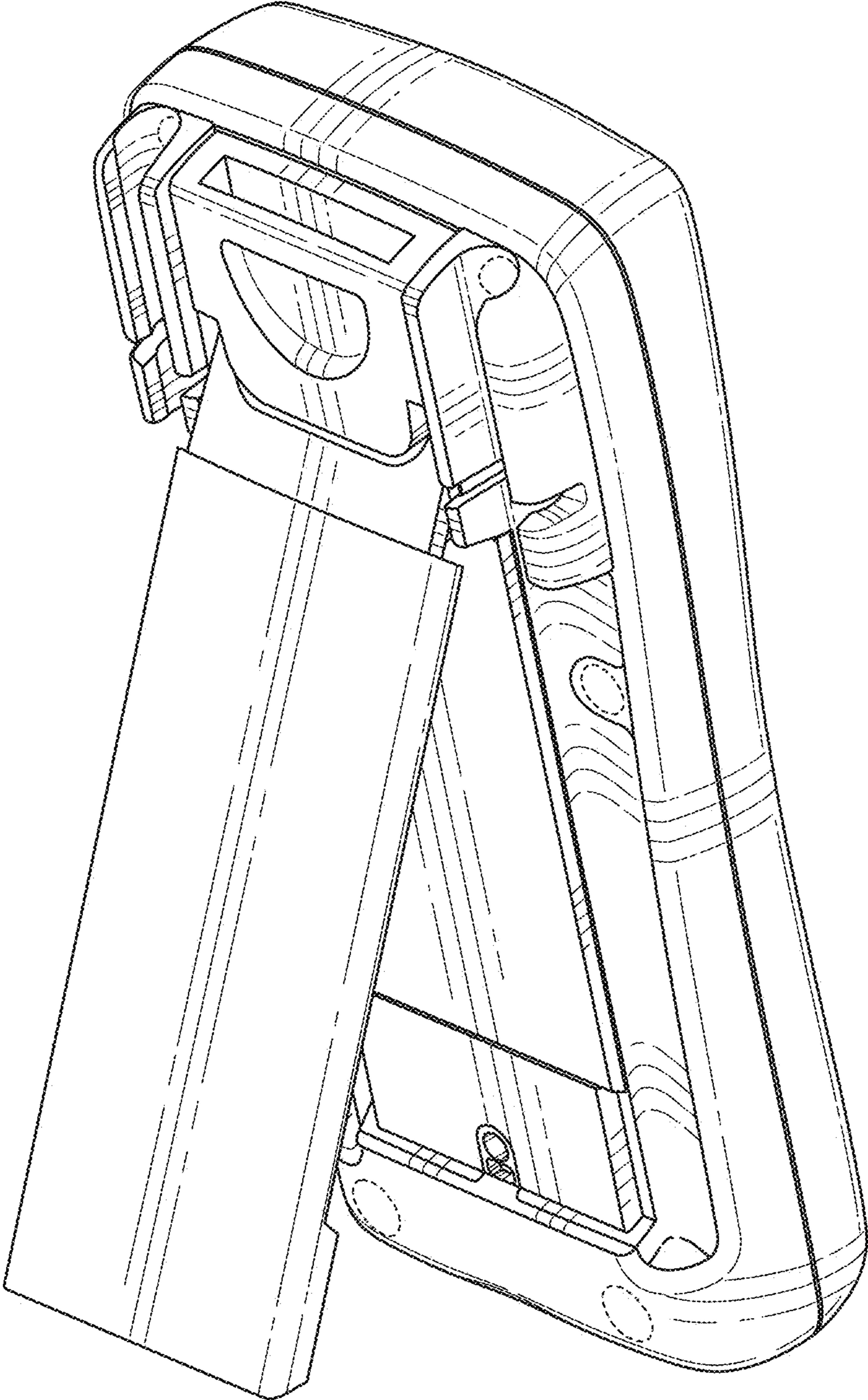


FIG. 30

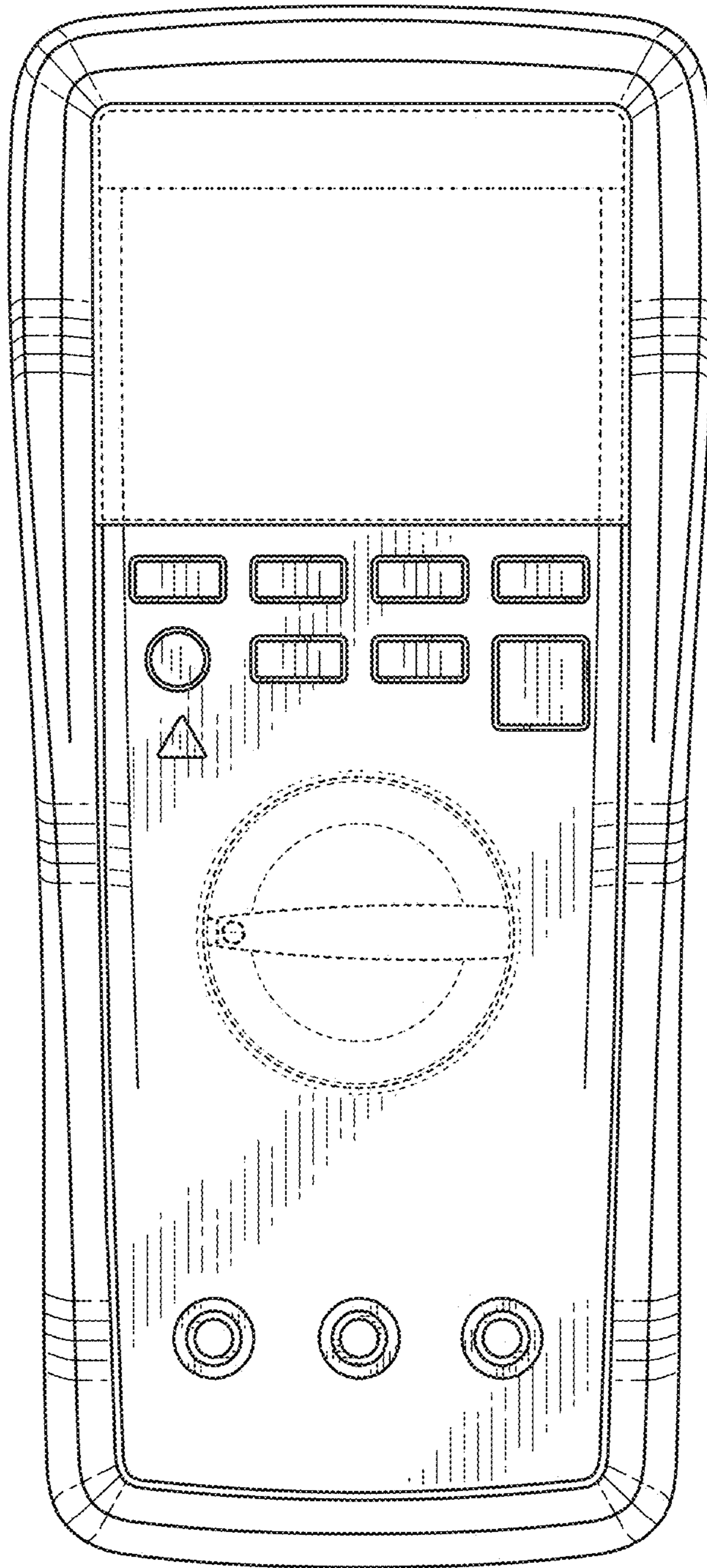


FIG. 31

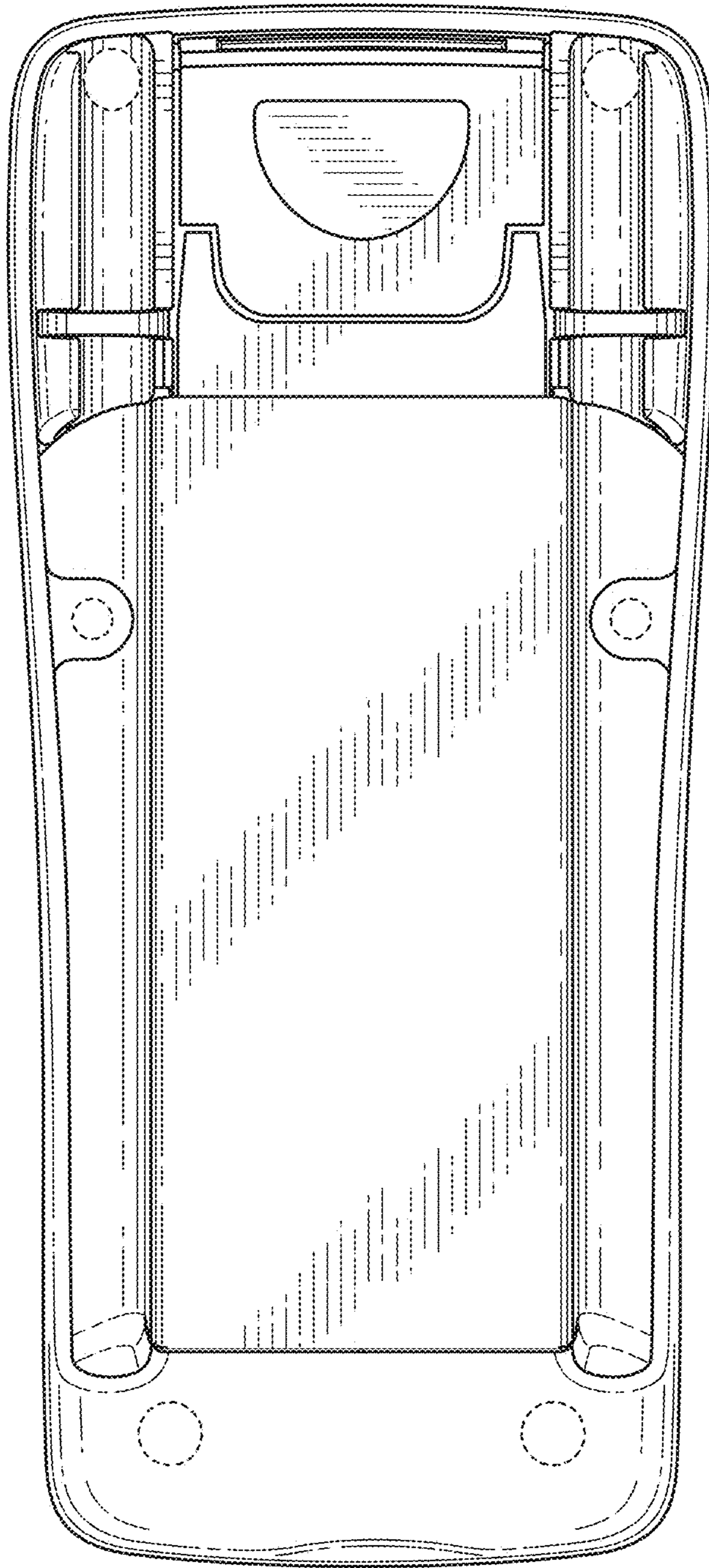


FIG. 32

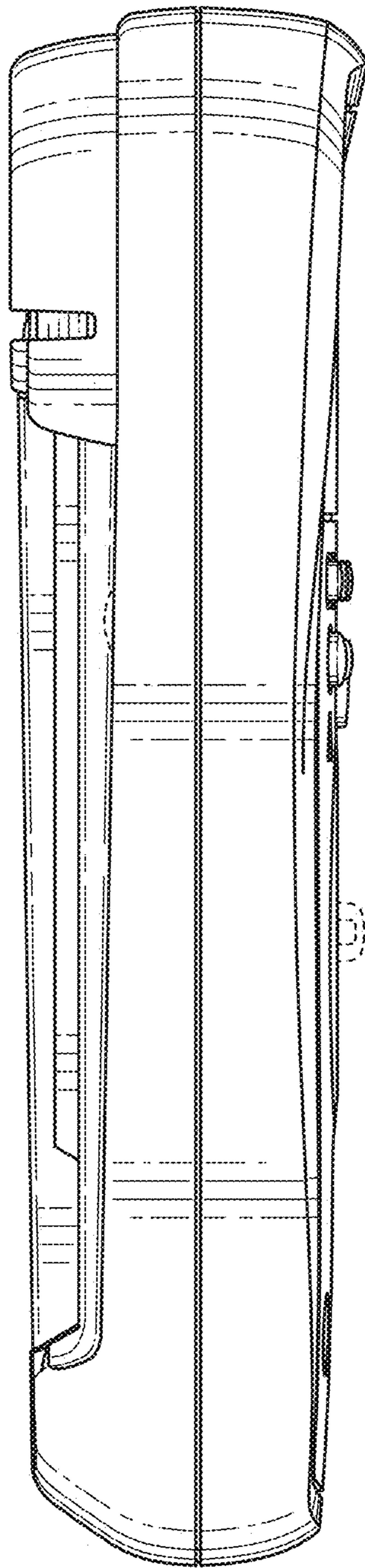


FIG. 33



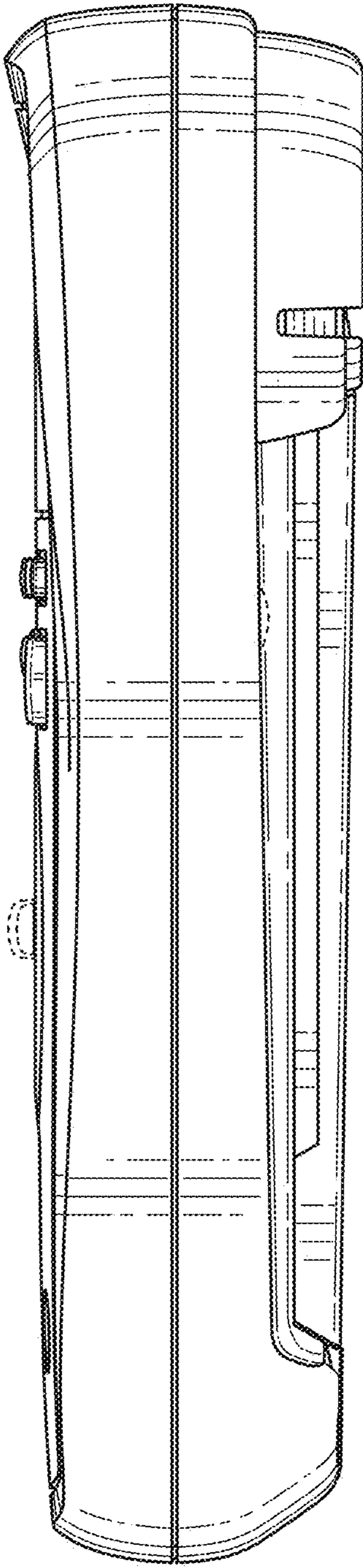


FIG. 34

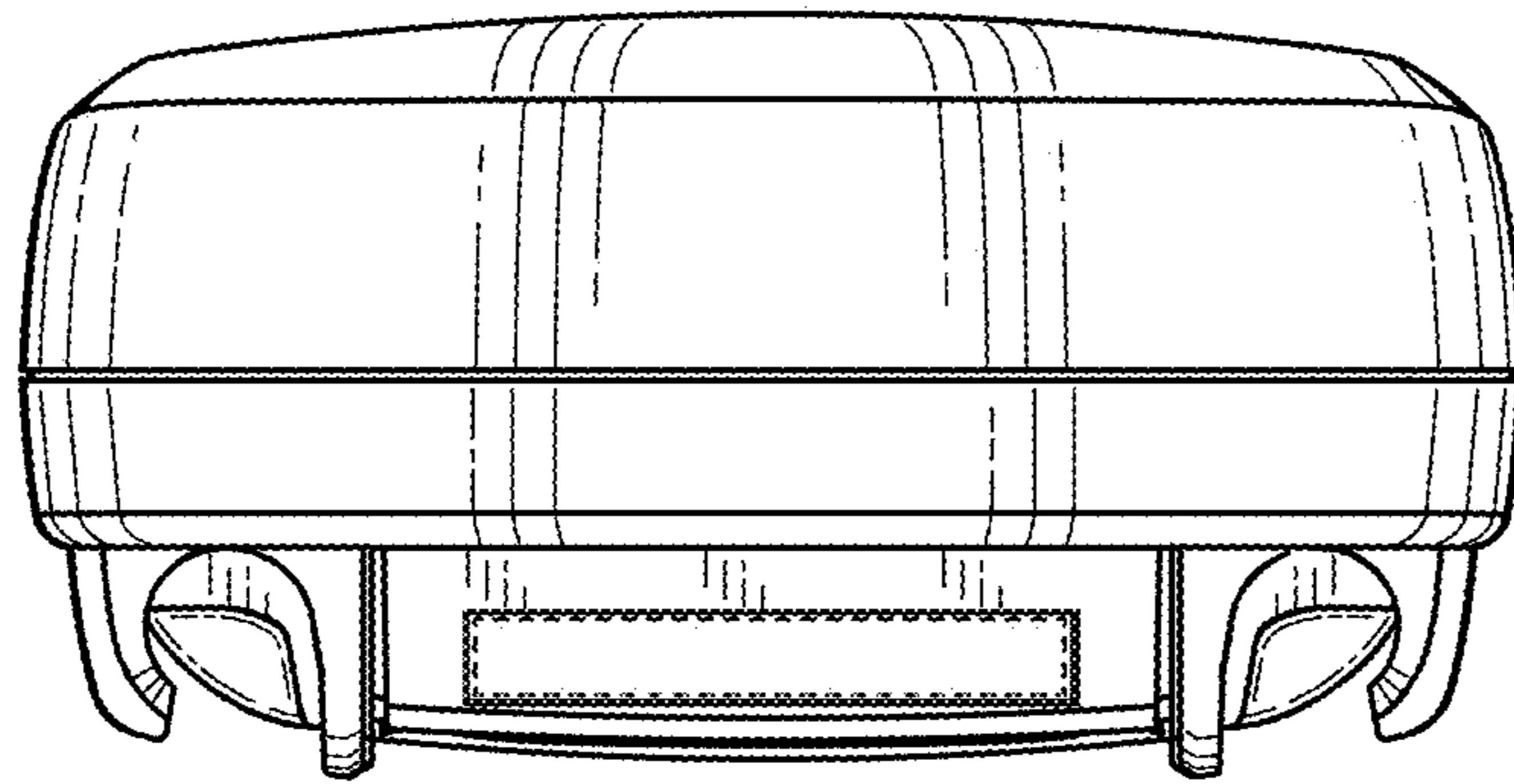


FIG. 35

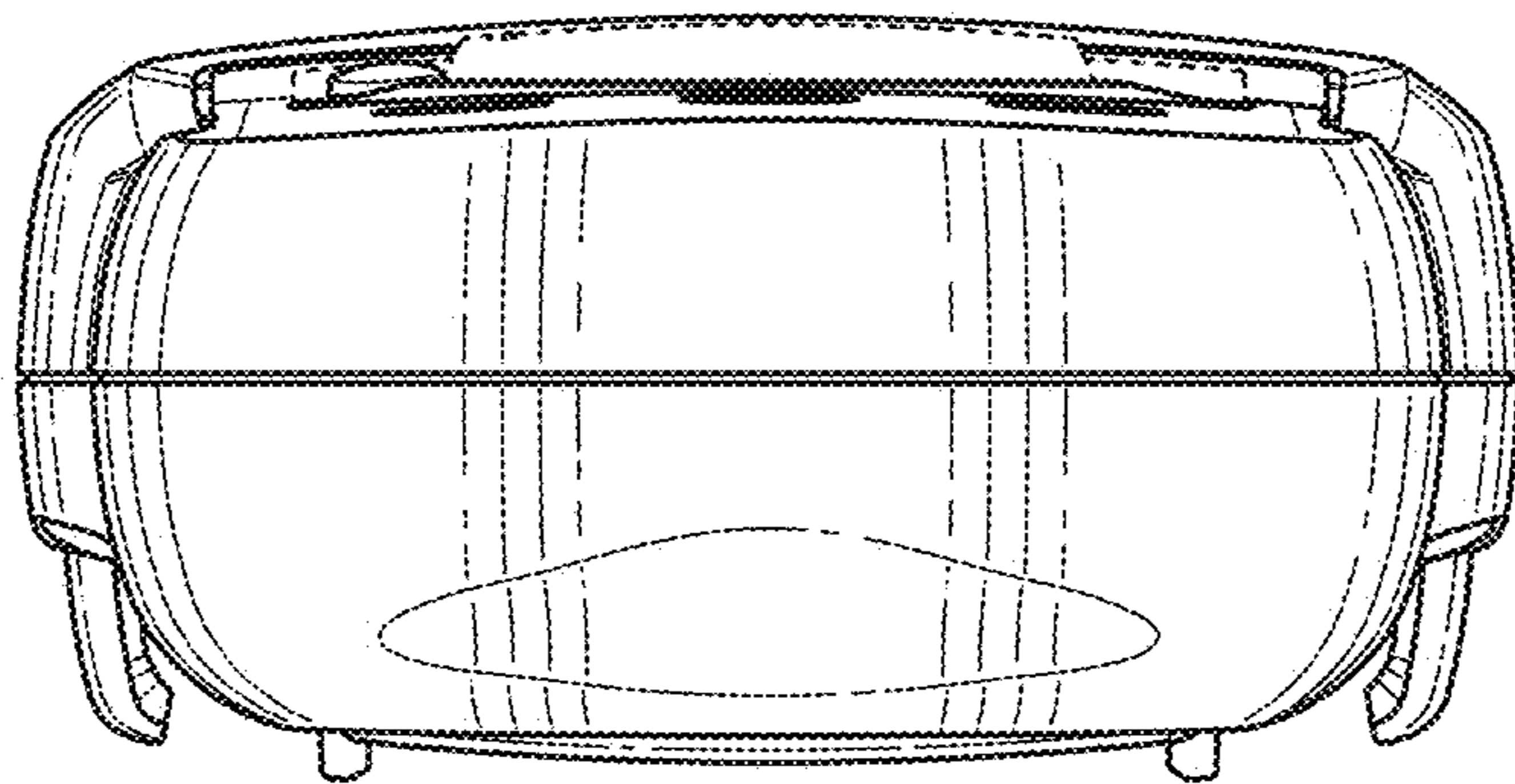


FIG. 36

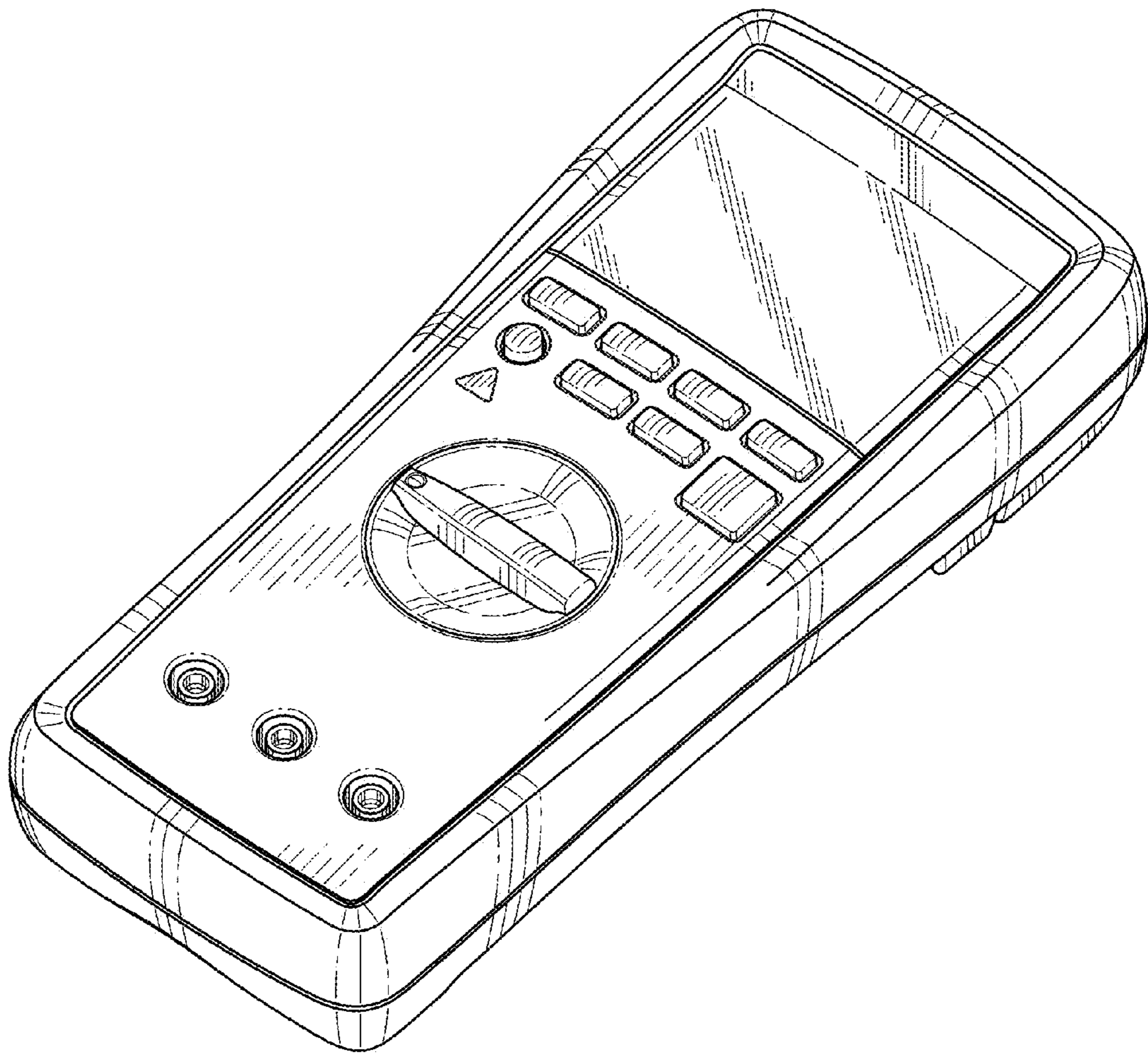


FIG. 37

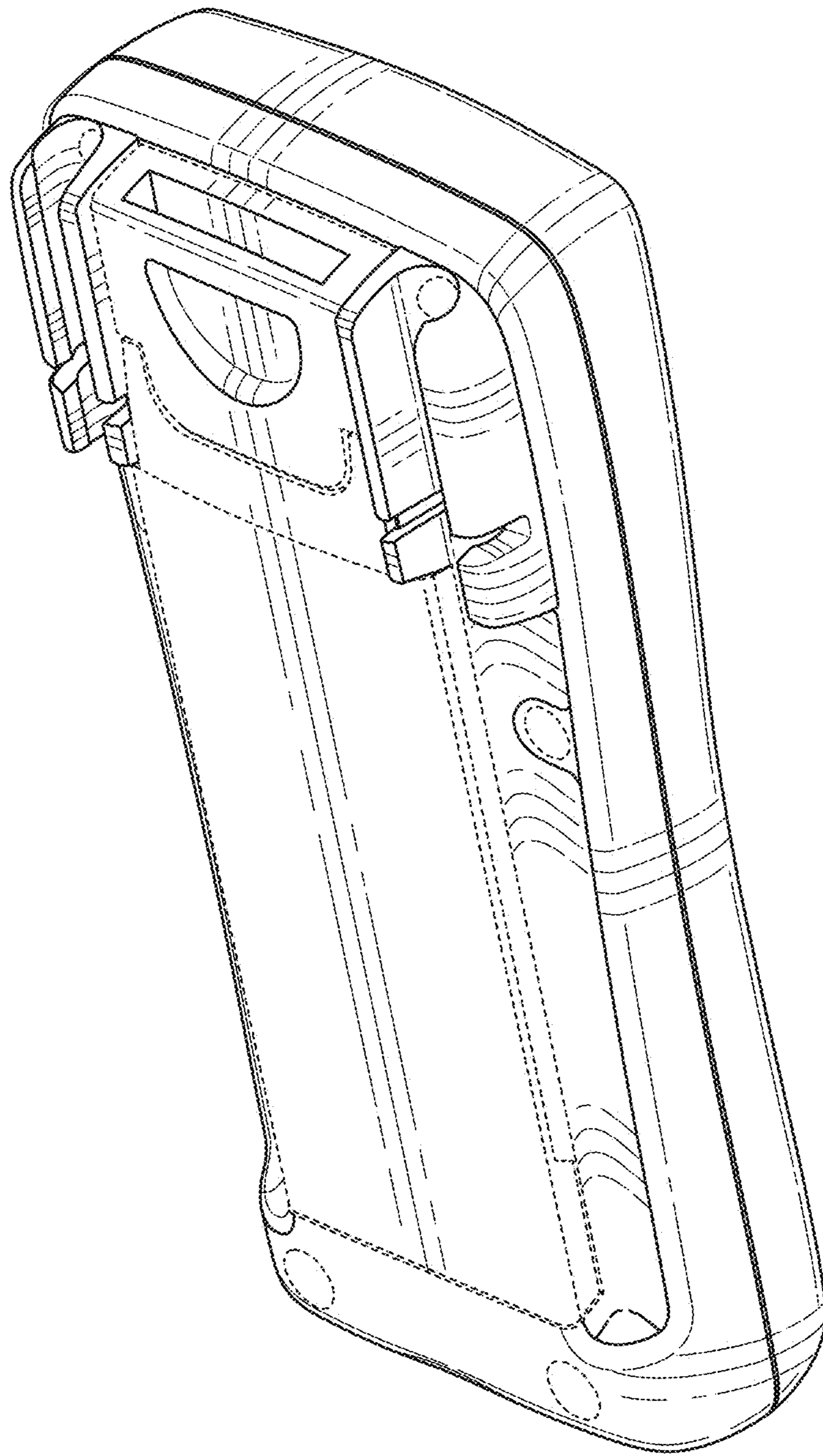


FIG. 38

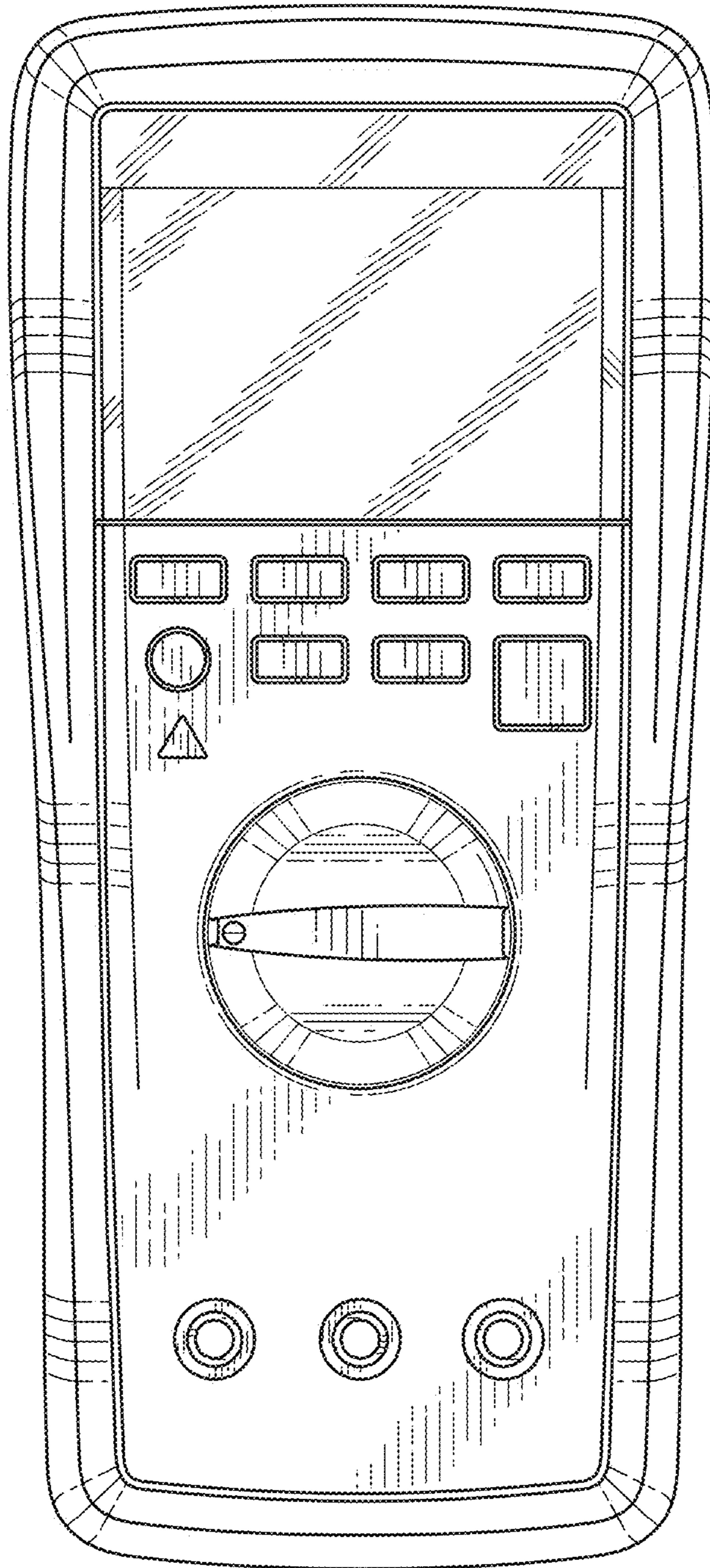


FIG. 39

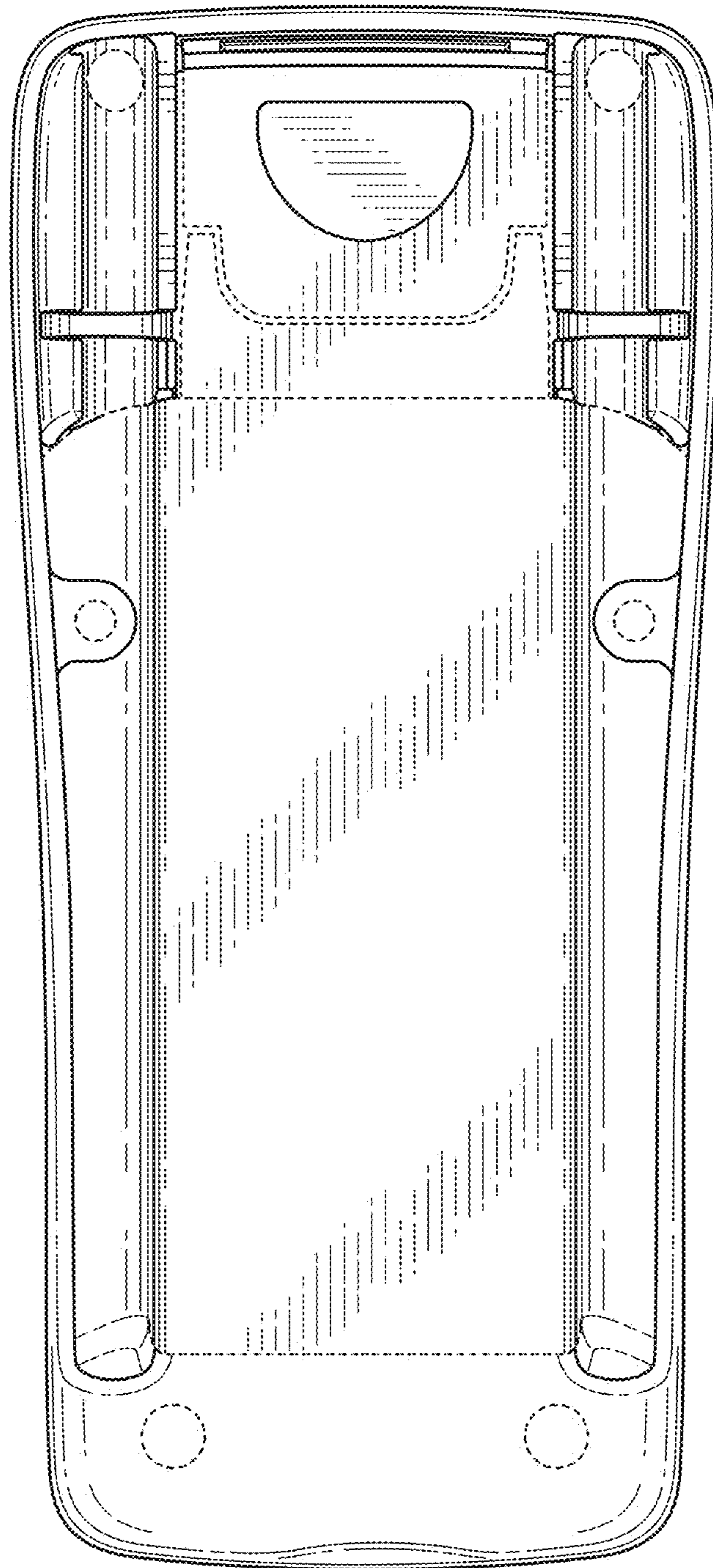


FIG. 40

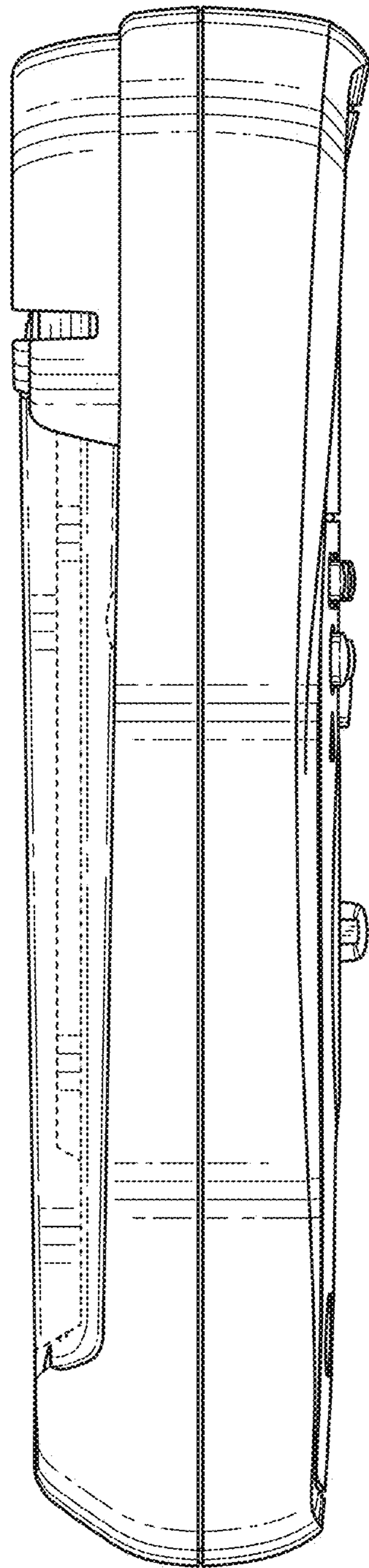


FIG. 41

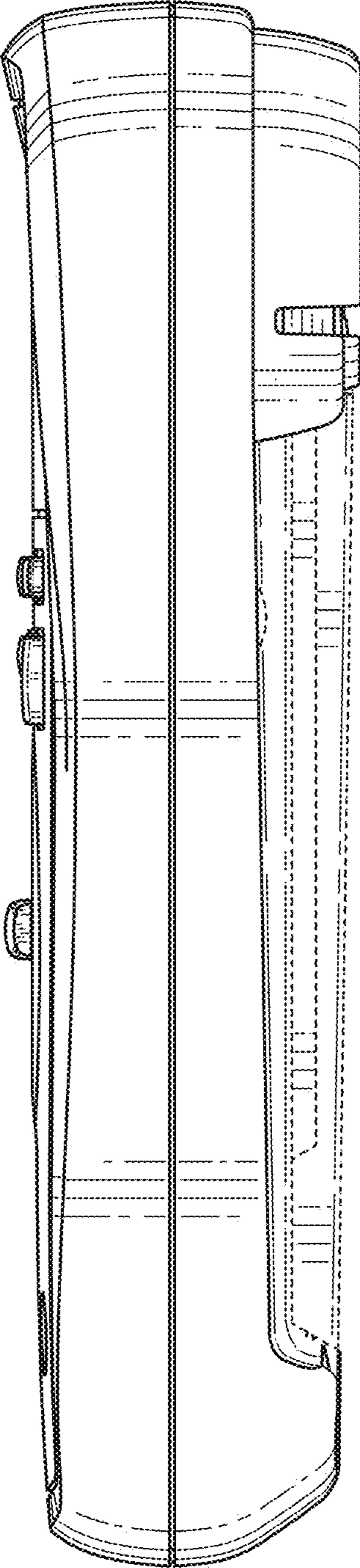


FIG. 42



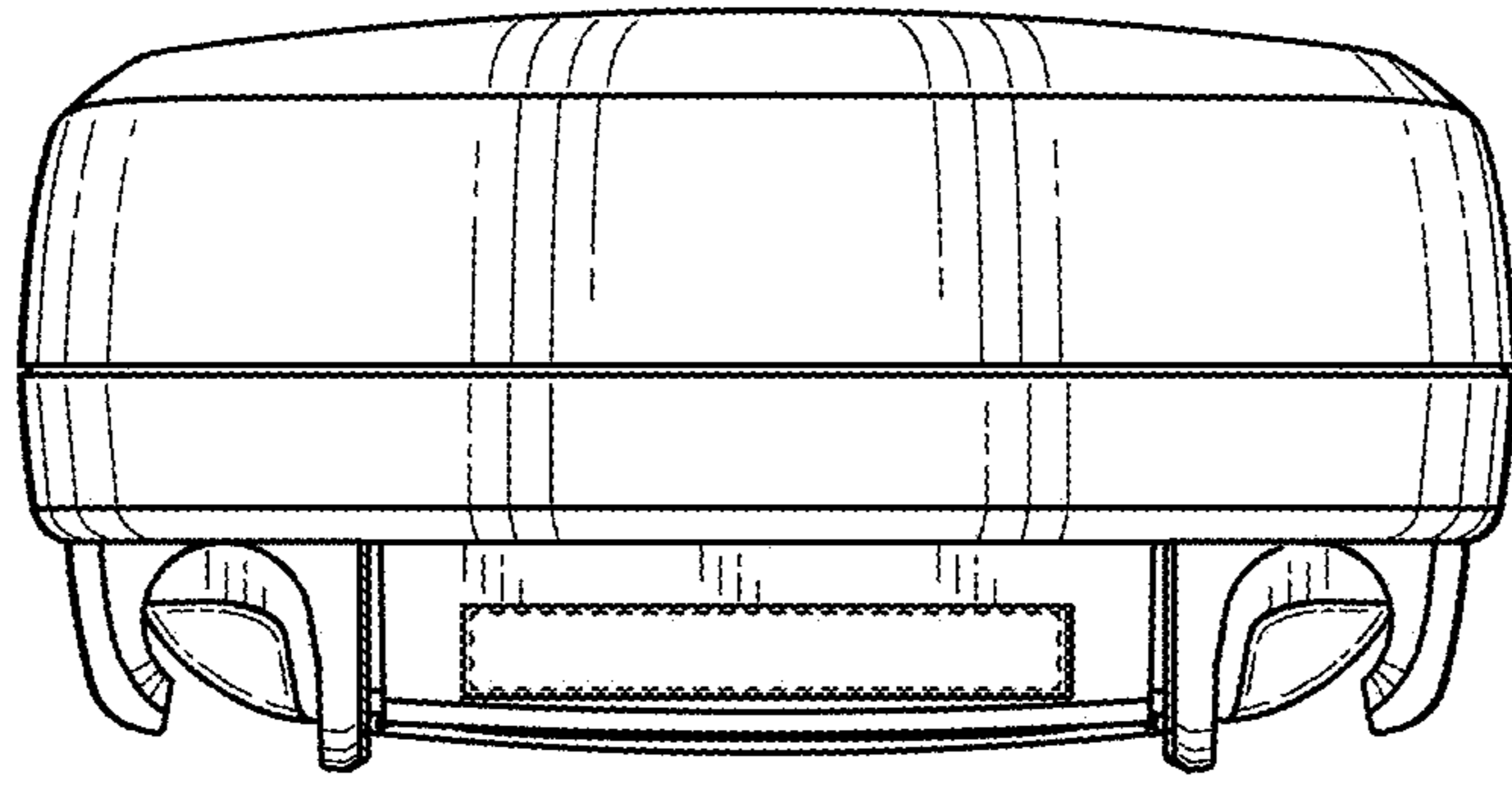


FIG. 43

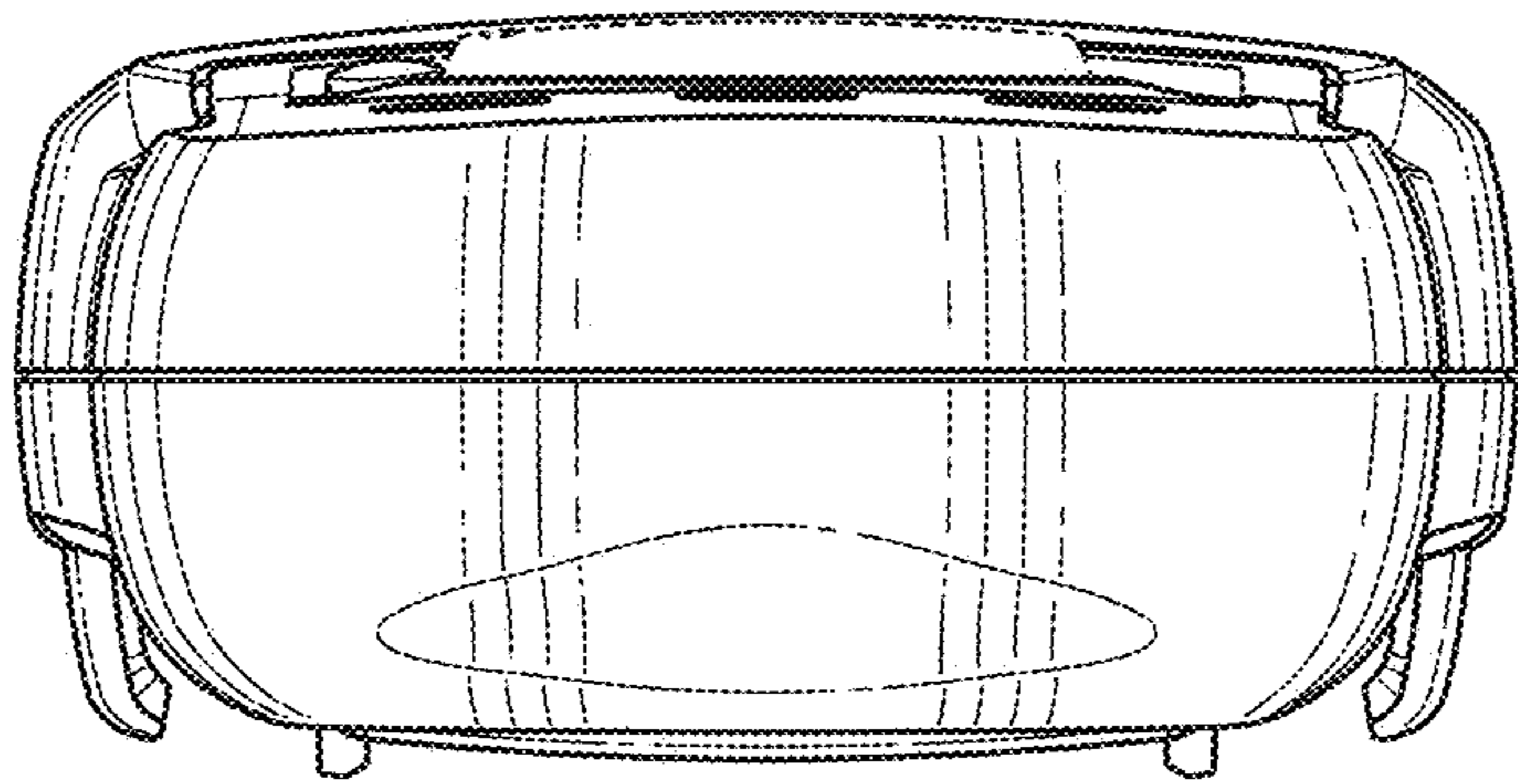


FIG. 44

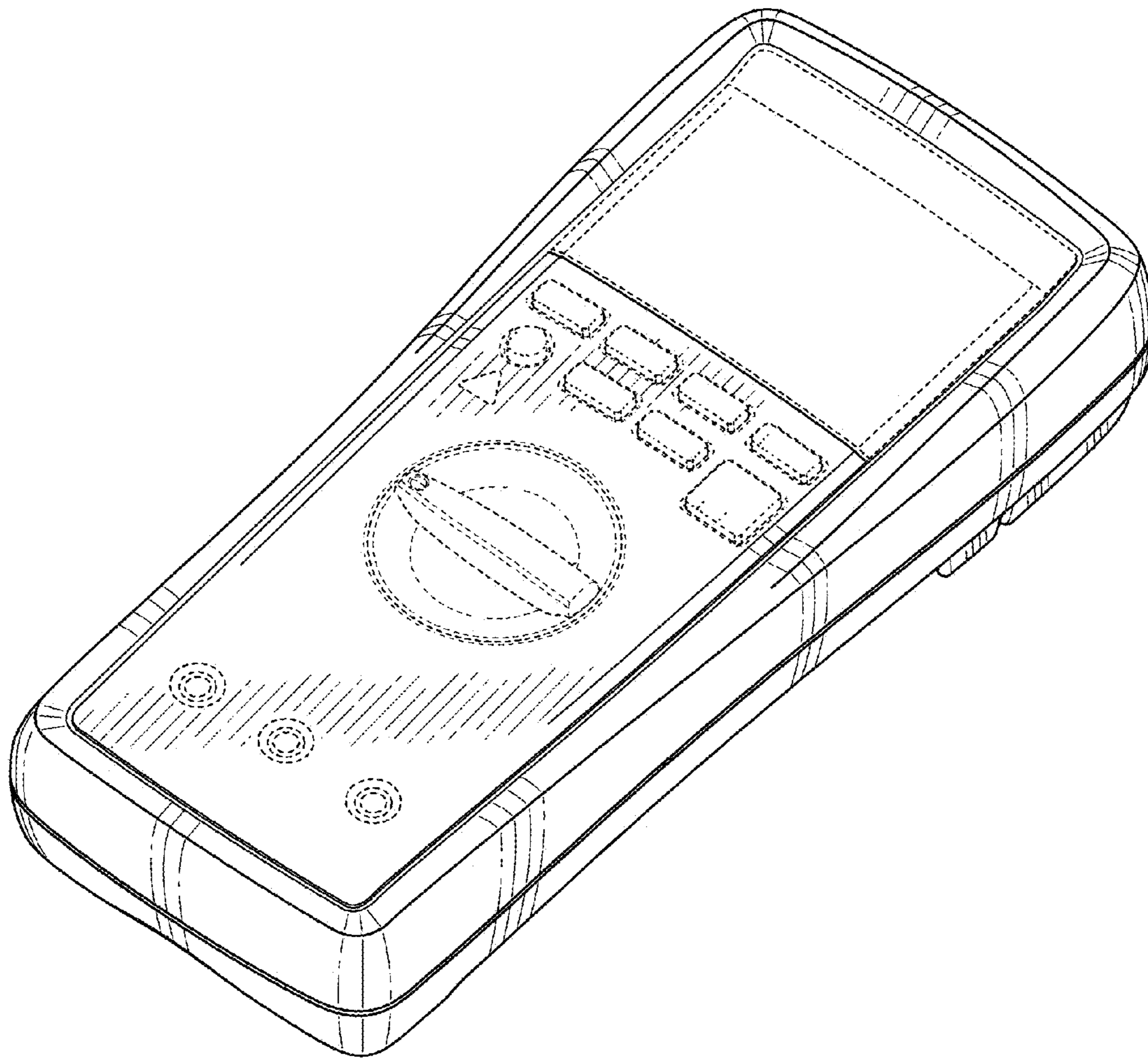


FIG. 45

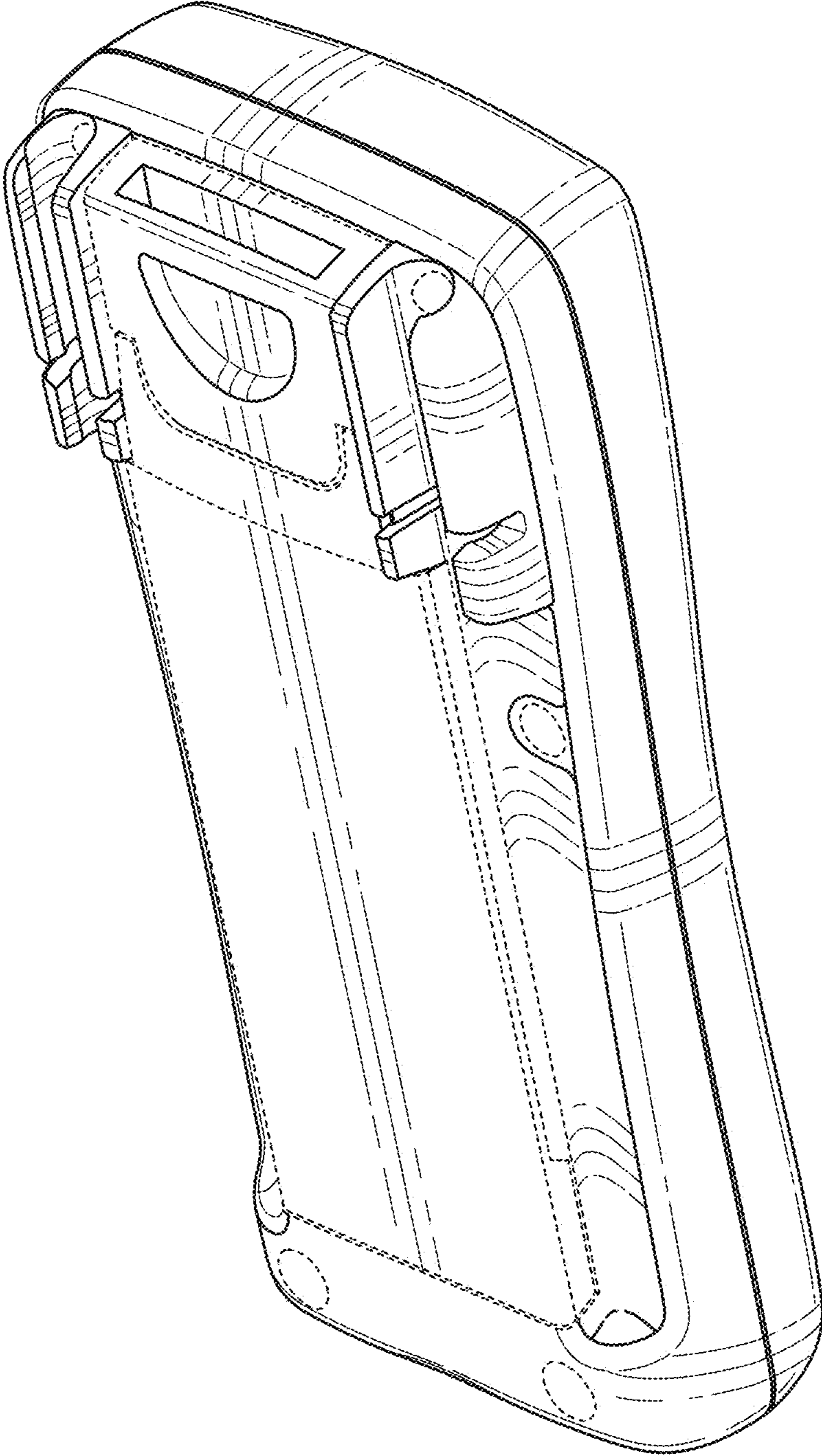


FIG. 46

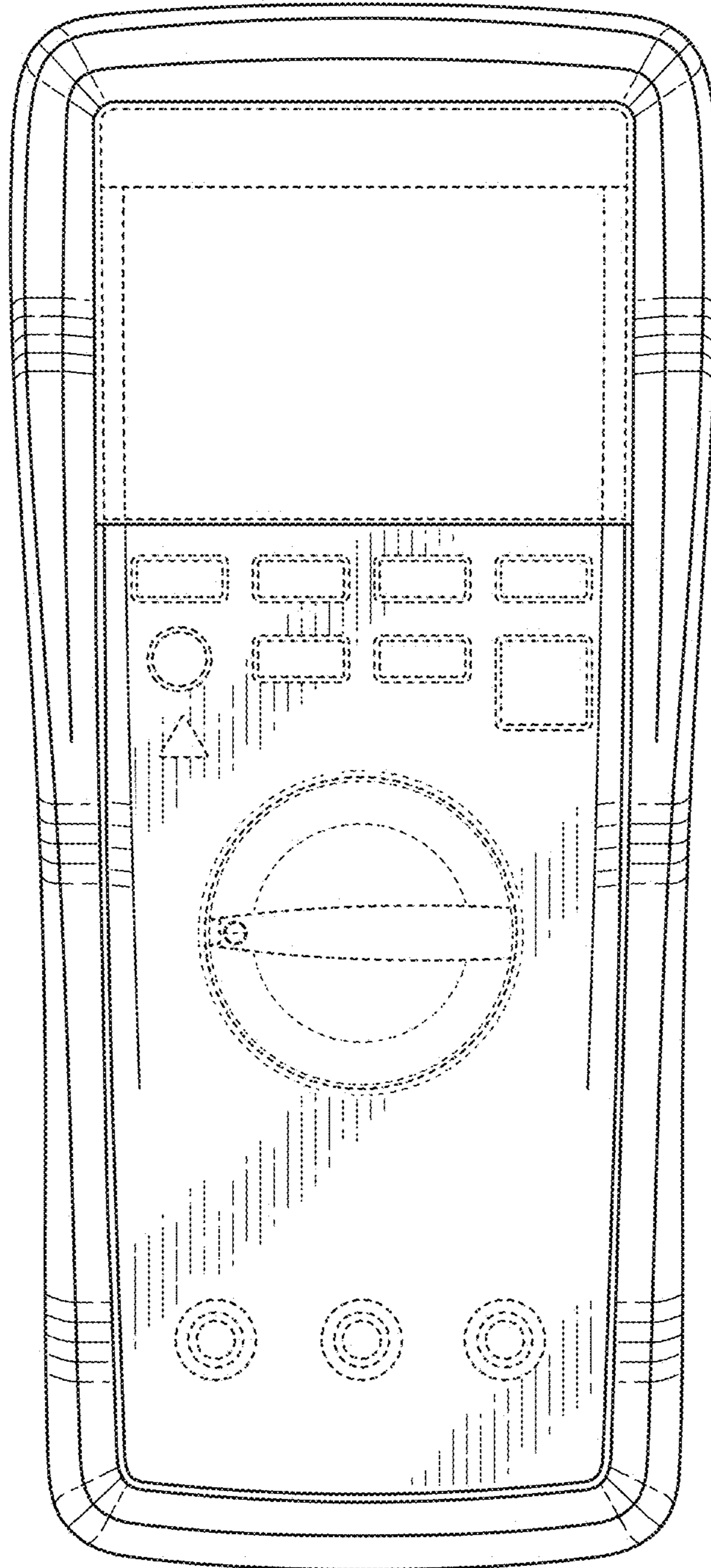


FIG. 47

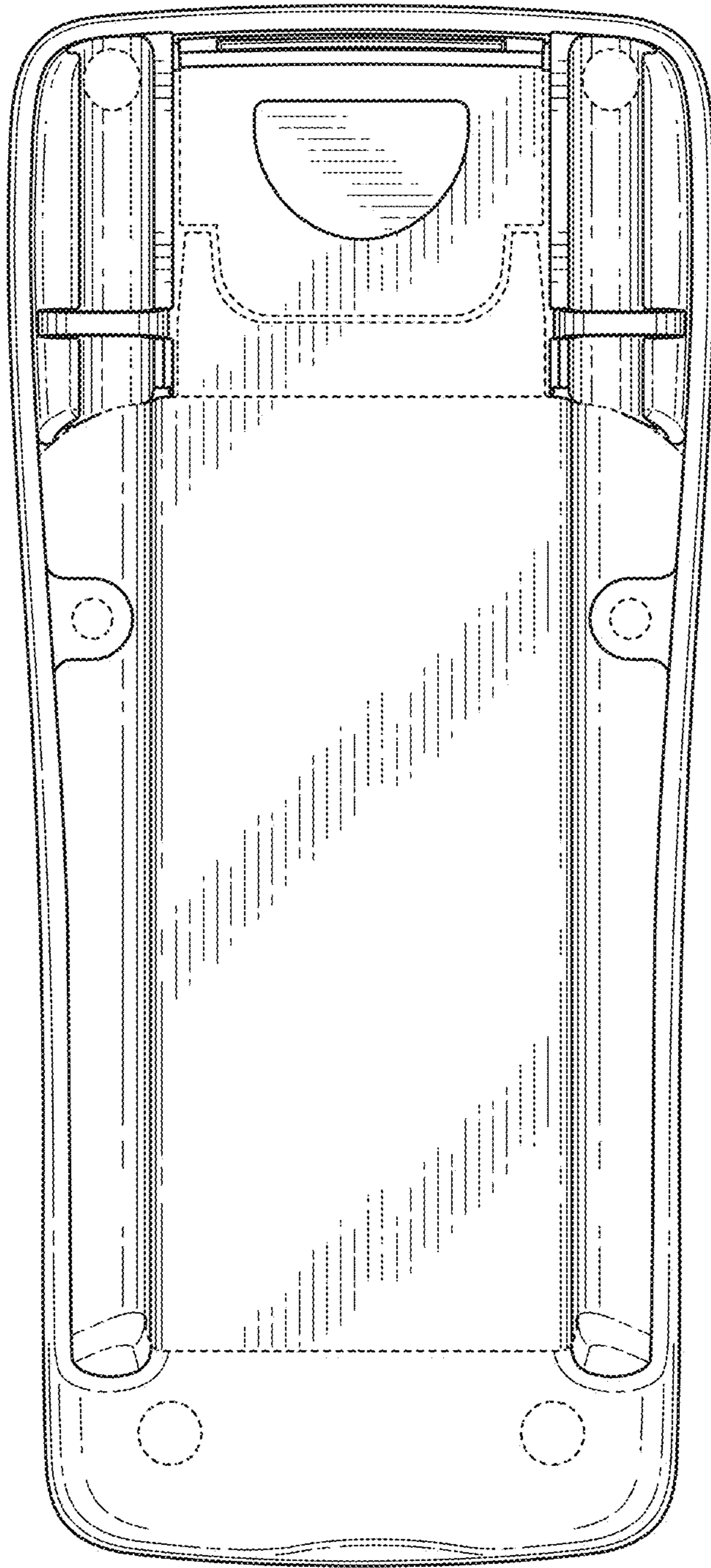


FIG. 48

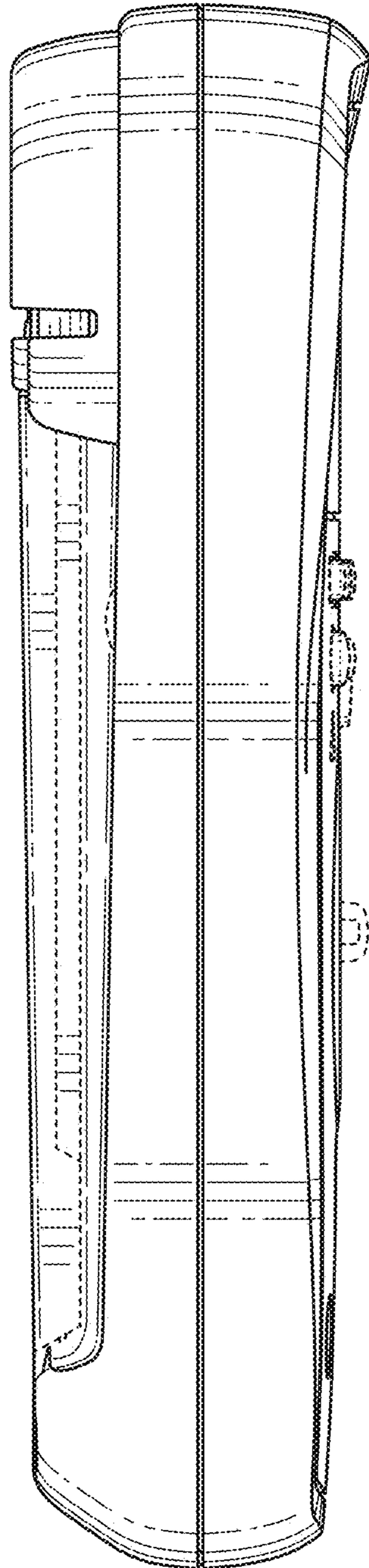


FIG. 49

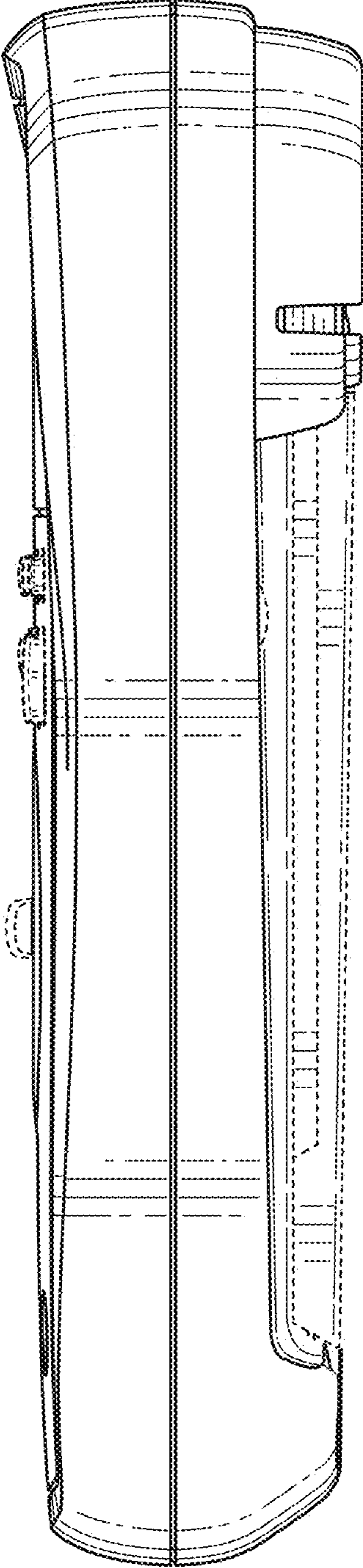


FIG. 50

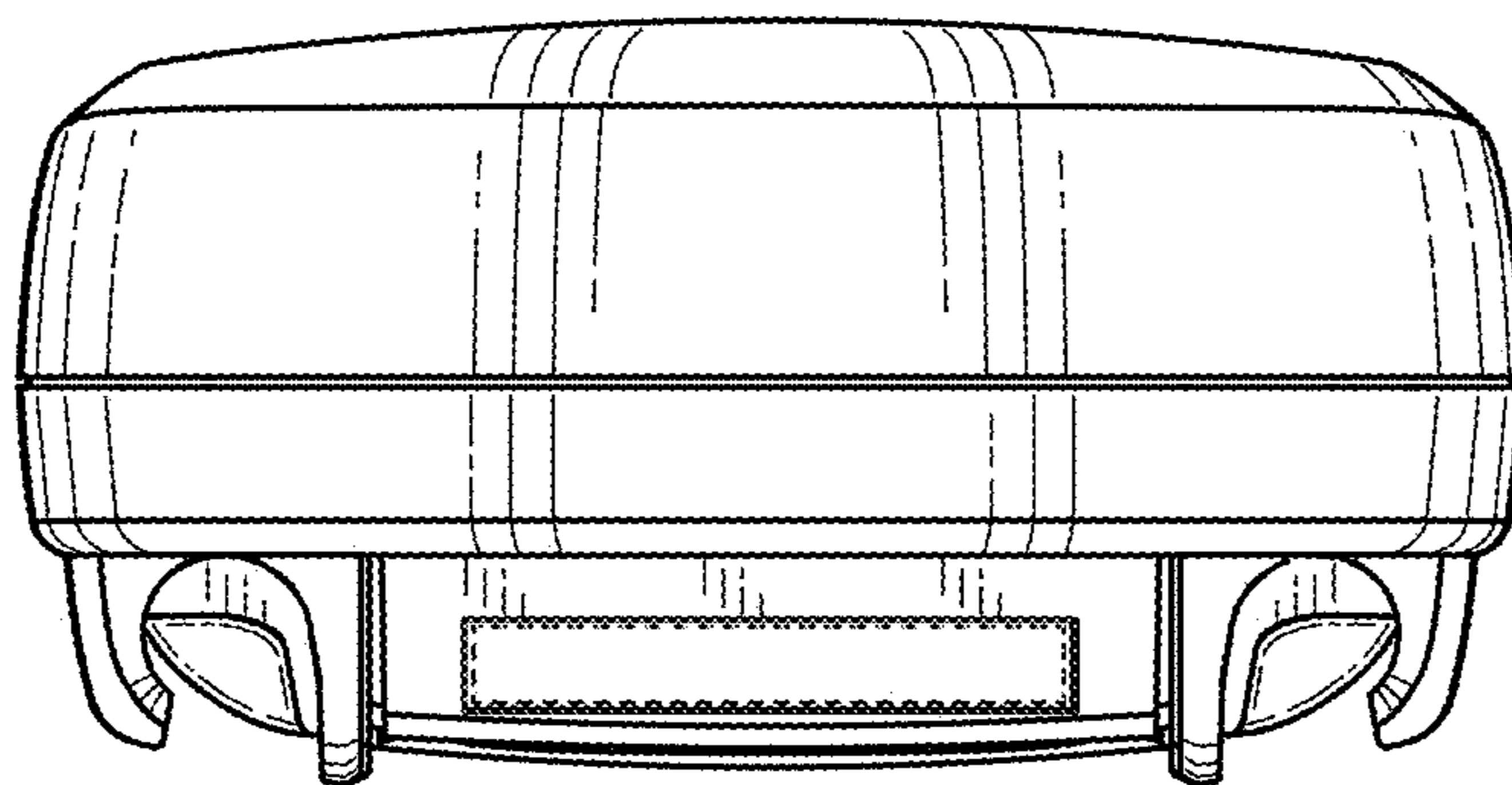


FIG. 51

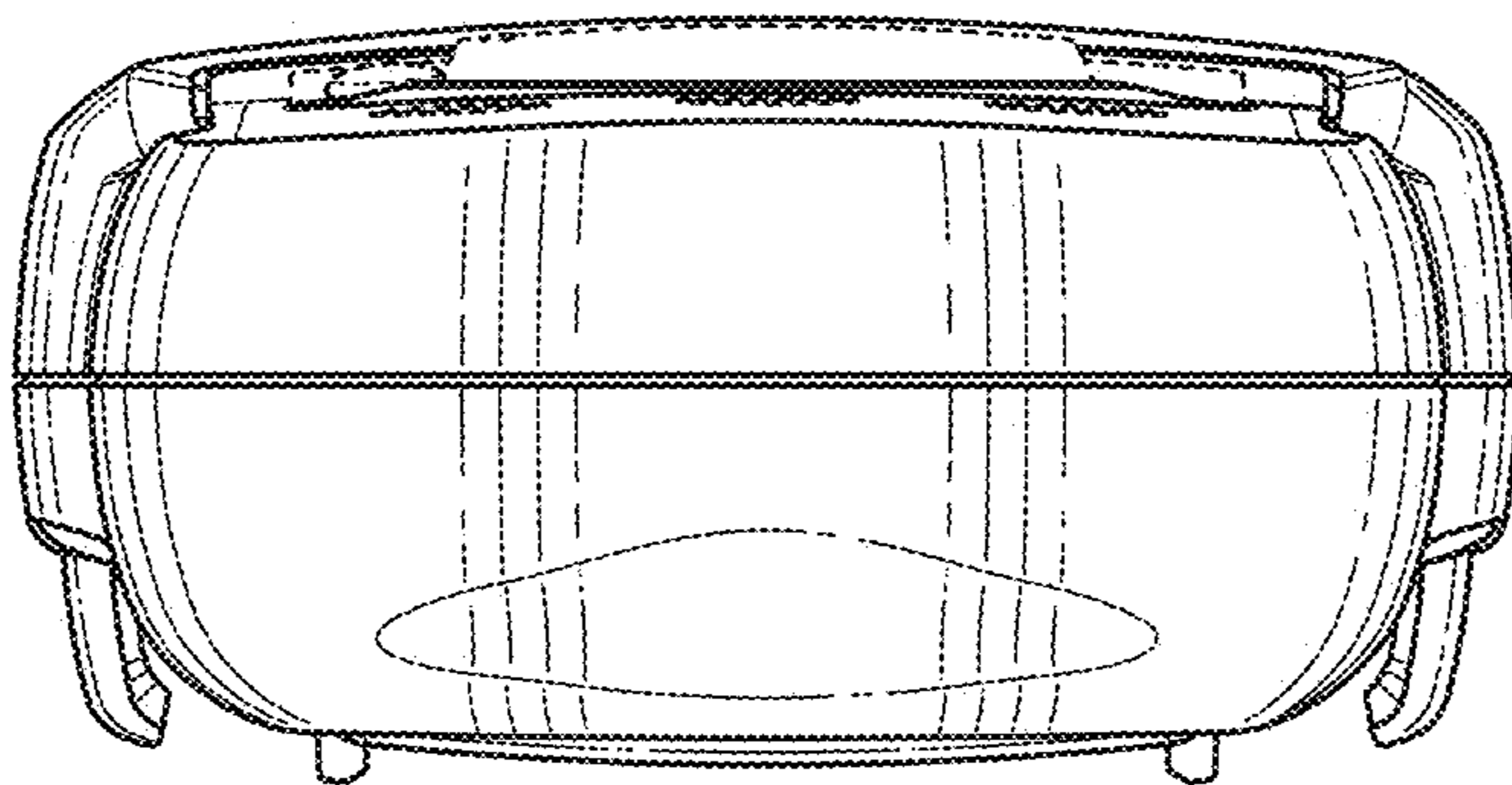


FIG. 52