



US00D684072S

(12) **United States Design Patent**  
**Volkert et al.**

(10) **Patent No.:** **US D684,072 S**  
(45) **Date of Patent:** **\*\* Jun. 11, 2013**

(54) **PORTABLE ELECTRONIC SENSOR**

(75) Inventors: **Erich Scott Volkert**, Carlsbad, CA (US);  
**Luong Hin**, San Diego, CA (US); **James Steven Skeoch**, San Diego, CA (US);  
**Gioia Messinger**, Encinitas, CA (US);  
**Charles Curbbun**, Encinitas, CA (US);  
**Dale Johnson**, San Diego, CA (US);  
**Andrew Zoolakis**, Carlsbad, CA (US)

(73) Assignee: **Avaak, Inc.**, San Diego, CA (US)

(\*\*) Term: **14 Years**

(21) Appl. No.: **29/416,149**

(22) Filed: **Mar. 19, 2012**

(51) **LOC (9) Cl.** ..... **10-04**

(52) **U.S. Cl.**  
USPC ..... **D10/70**

(58) **Field of Classification Search**  
USPC ..... D10/70, 104; 250/221, 338.3, 340,  
250/239, 342, 341, DIG. 1, 353; 307/116,  
307/117; 340/500–530, 539.22–539.32,  
540–545.9, 550–693.12; 315/159  
See application file for complete search history.

(56) **References Cited**

U.S. PATENT DOCUMENTS

D504,627	S	*	5/2005	Harju	.....	D10/70
D656,047	S	*	3/2012	Dyer	.....	D10/70
D656,848	S	*	4/2012	Mosher	.....	D10/70
8,258,949	B1	*	9/2012	Jaynes	.....	340/541

\* cited by examiner

*Primary Examiner* — Antoine D Davis

(74) *Attorney, Agent, or Firm* — Manuel de la Cerra

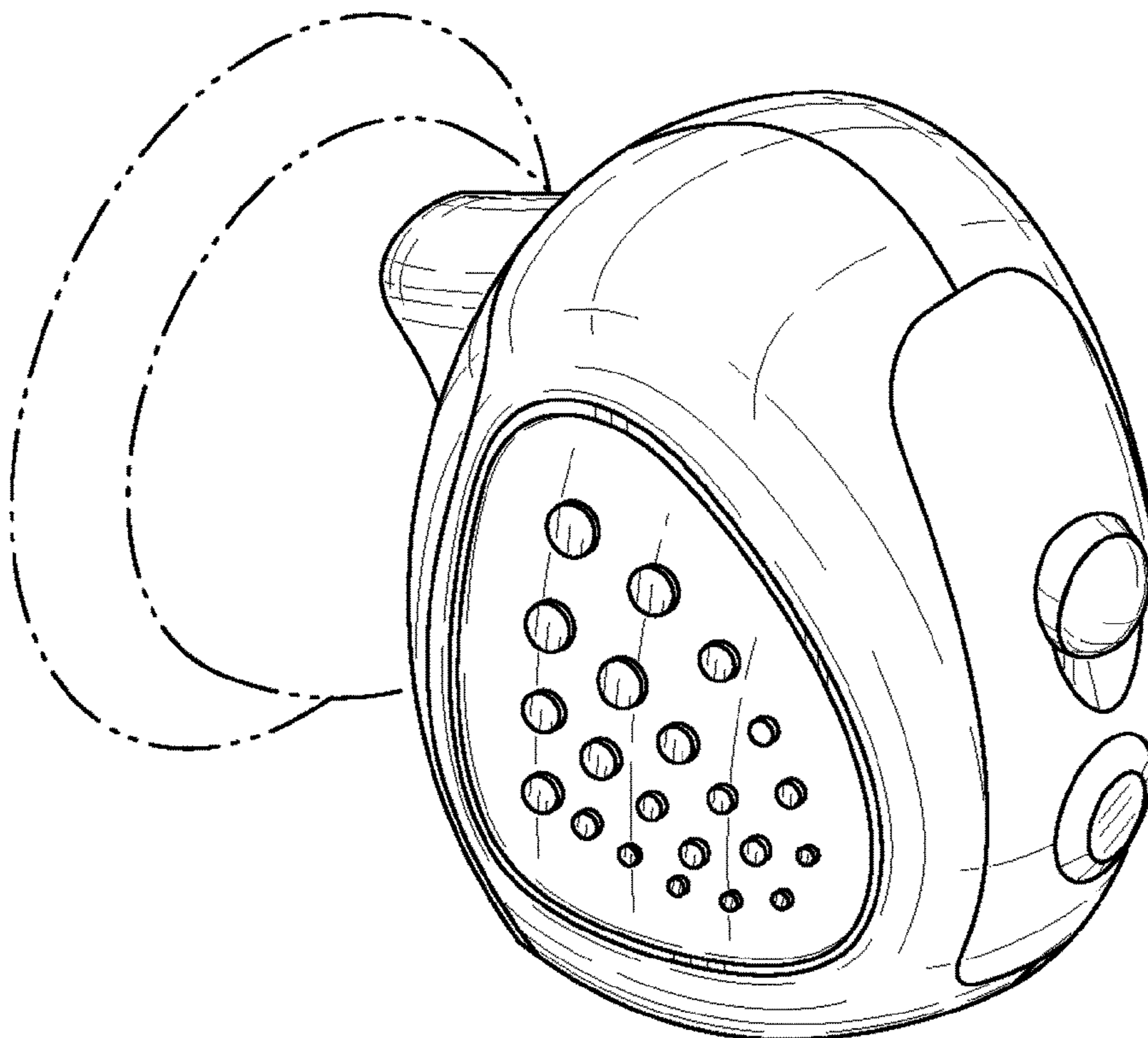
(57) **CLAIM**

The ornamental design for a portable electronic sensor, as shown and described.

**DESCRIPTION**

FIG. 1 is a perspective front view from above of the portable electronic sensor, mounted to a mount.  
FIG. 2 is a perspective rear view from below of the sensor.  
FIG. 3 is a front view of the sensor.  
FIG. 4 is a rear view of the sensor.  
FIG. 5 is a top view of the sensor.  
FIG. 6 is a bottom view of the sensor; and,  
FIG. 7 is a side view of the sensor.  
The broken line showing of parts of the drawings is included for the purpose of illustrating use and environment and forms no part of the claimed design.

**1 Claim, 5 Drawing Sheets**



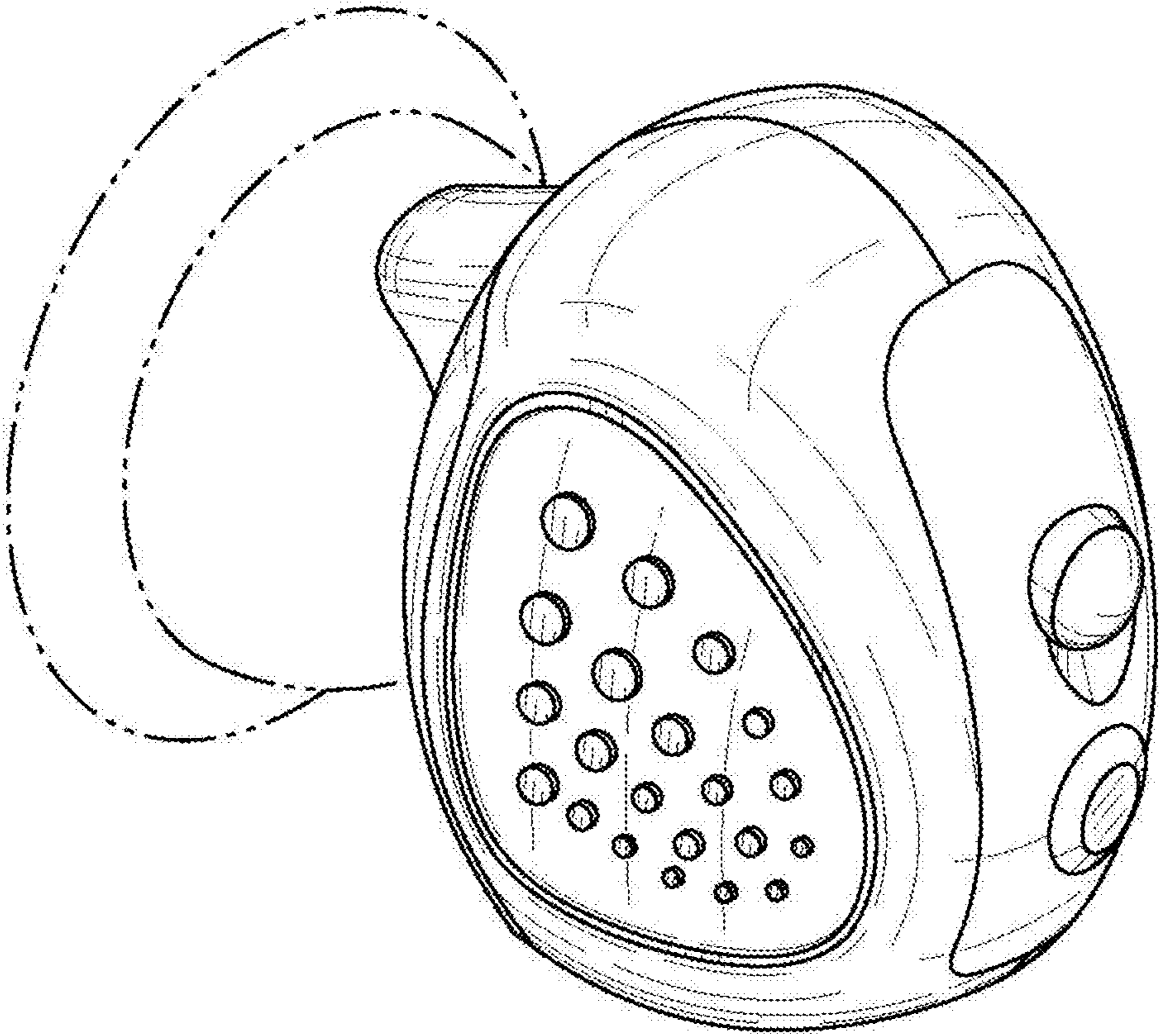


Fig. 1

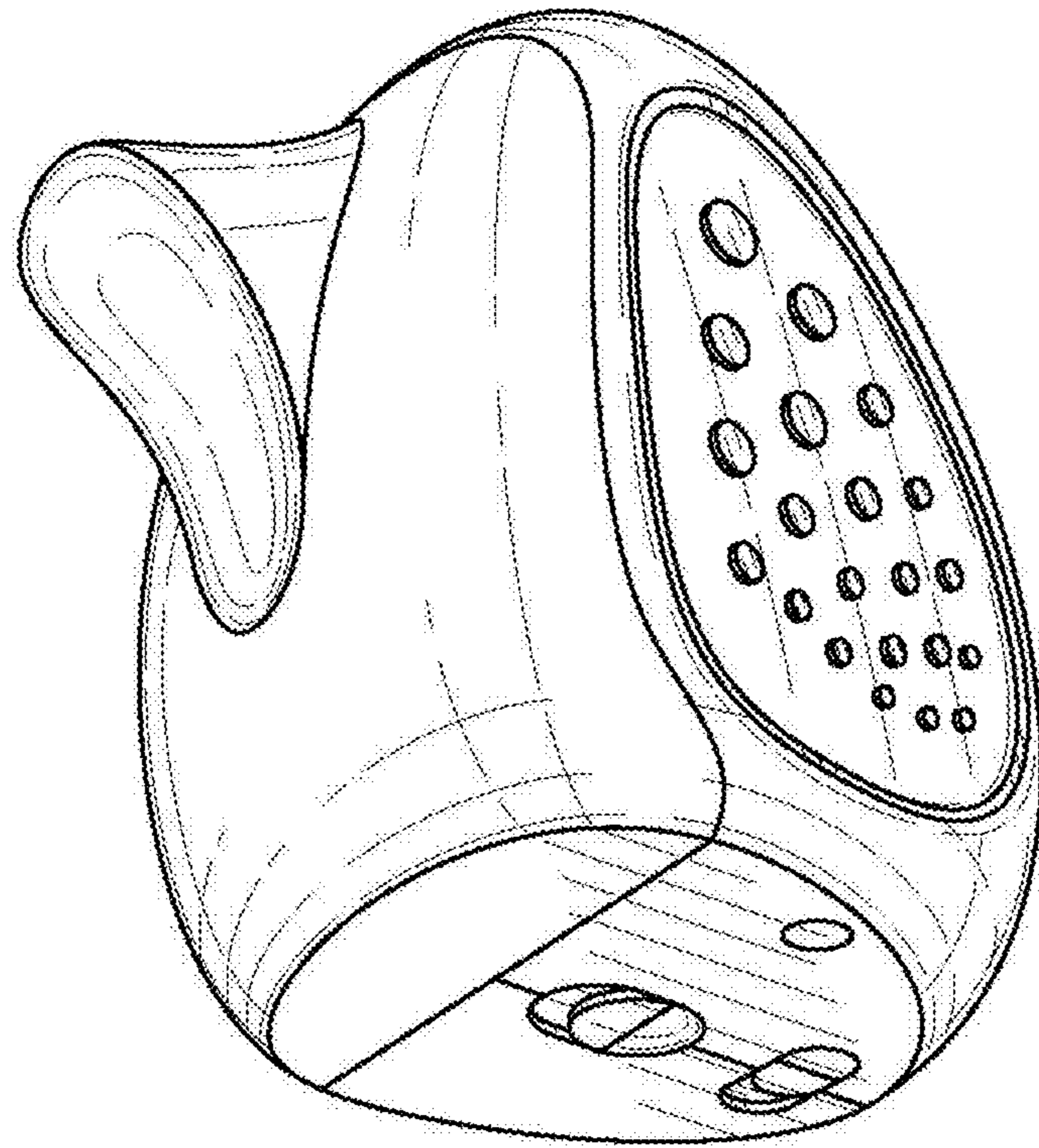
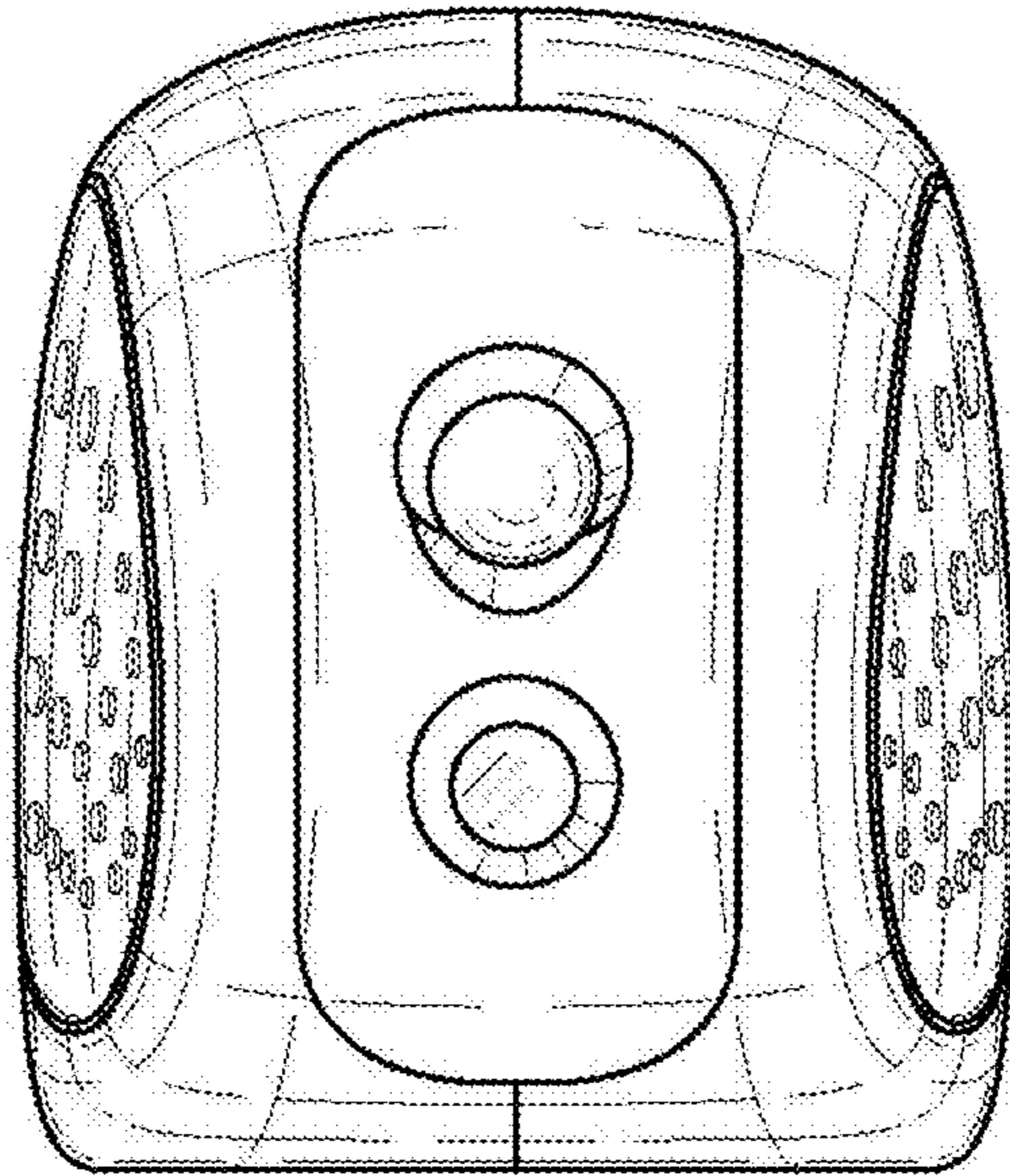
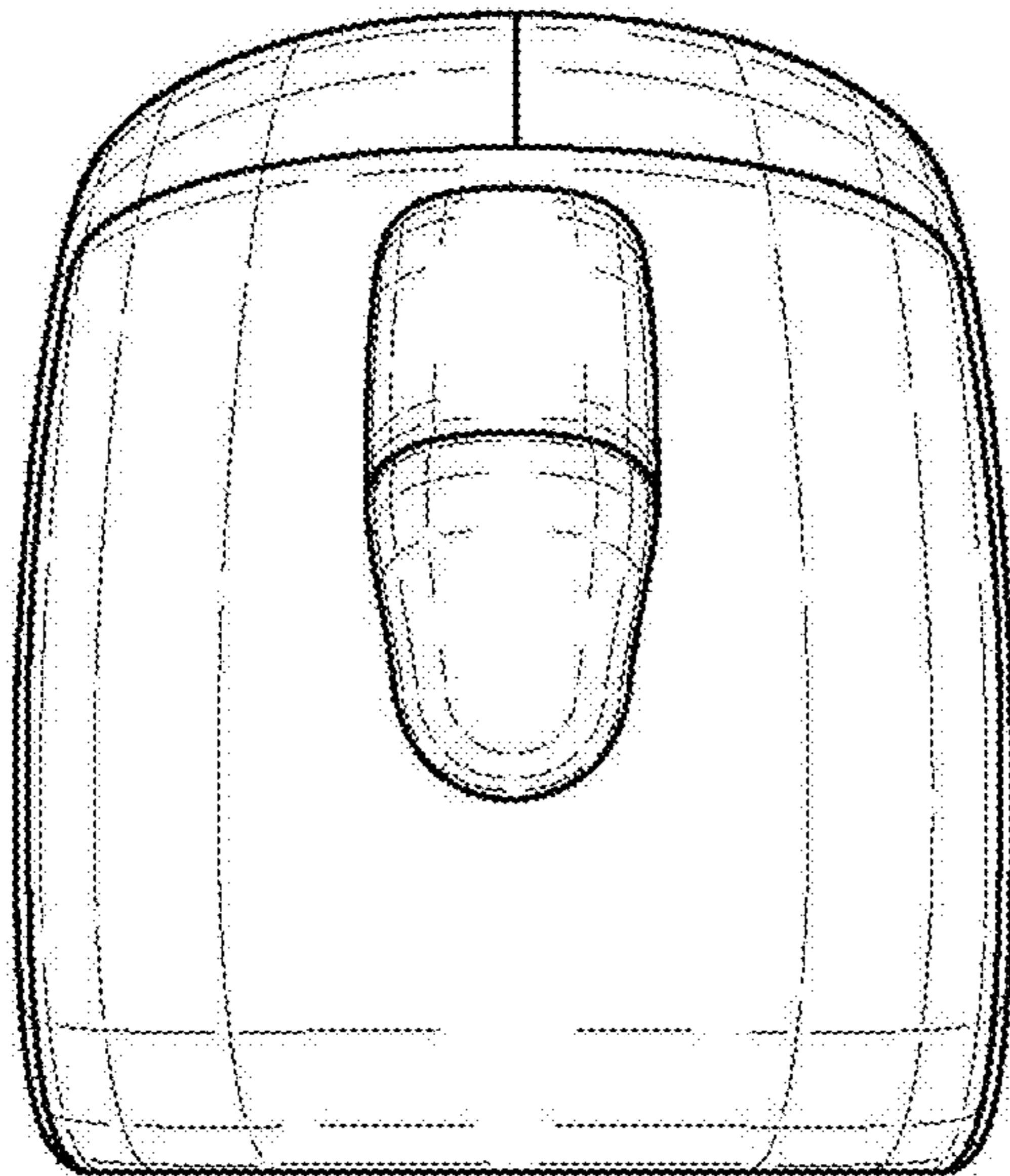


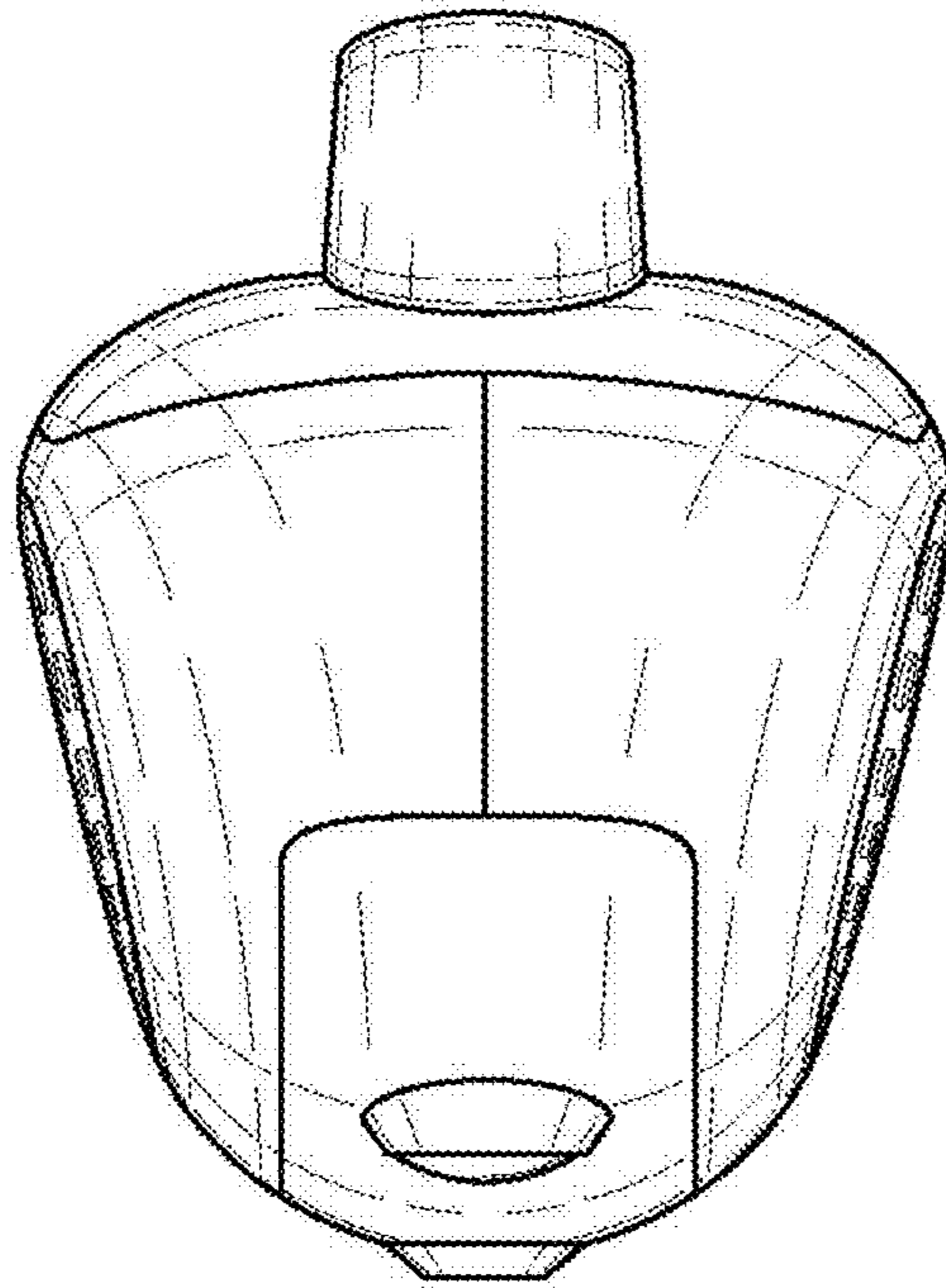
Fig. 2



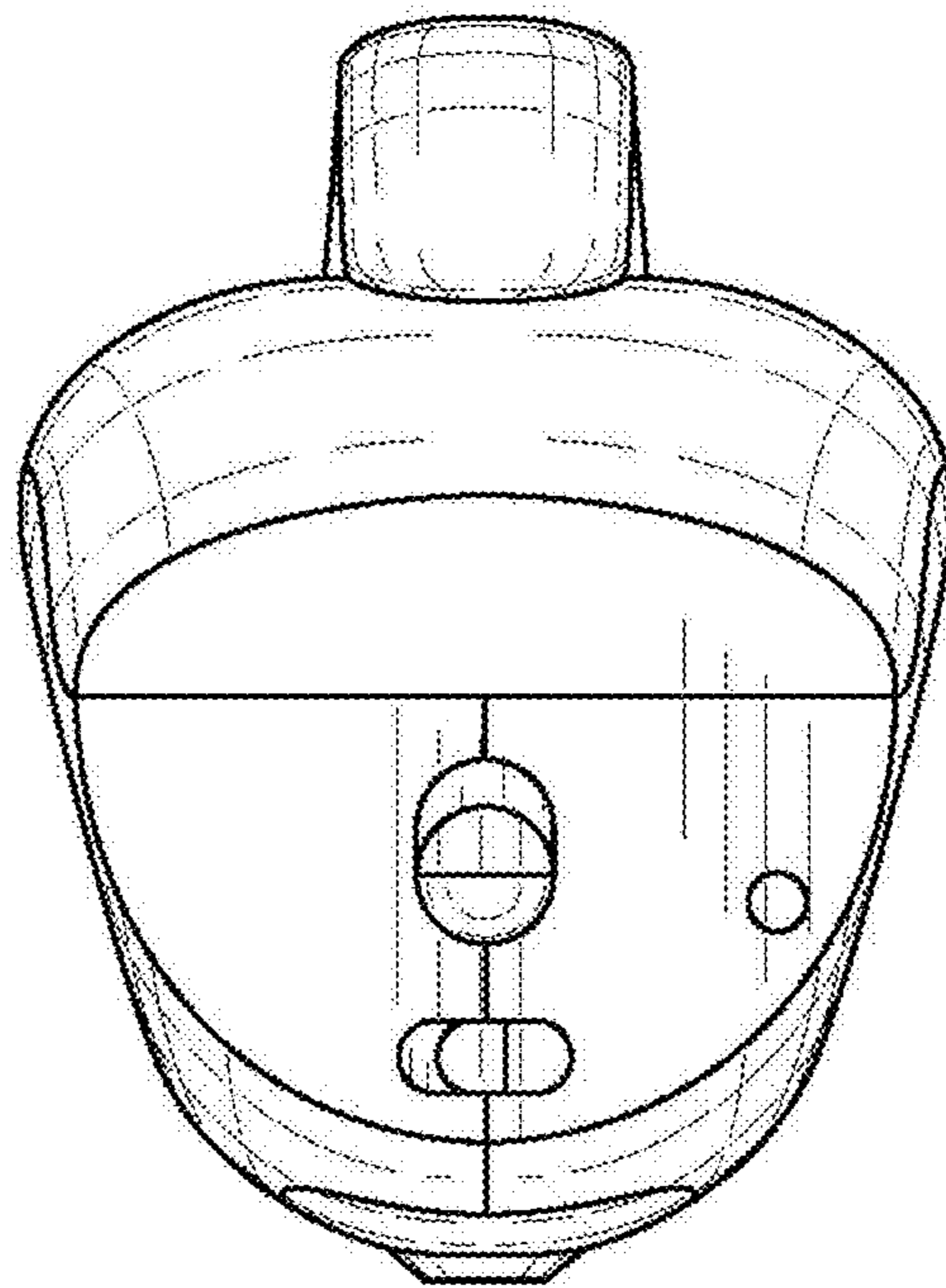
*Fig. 3*



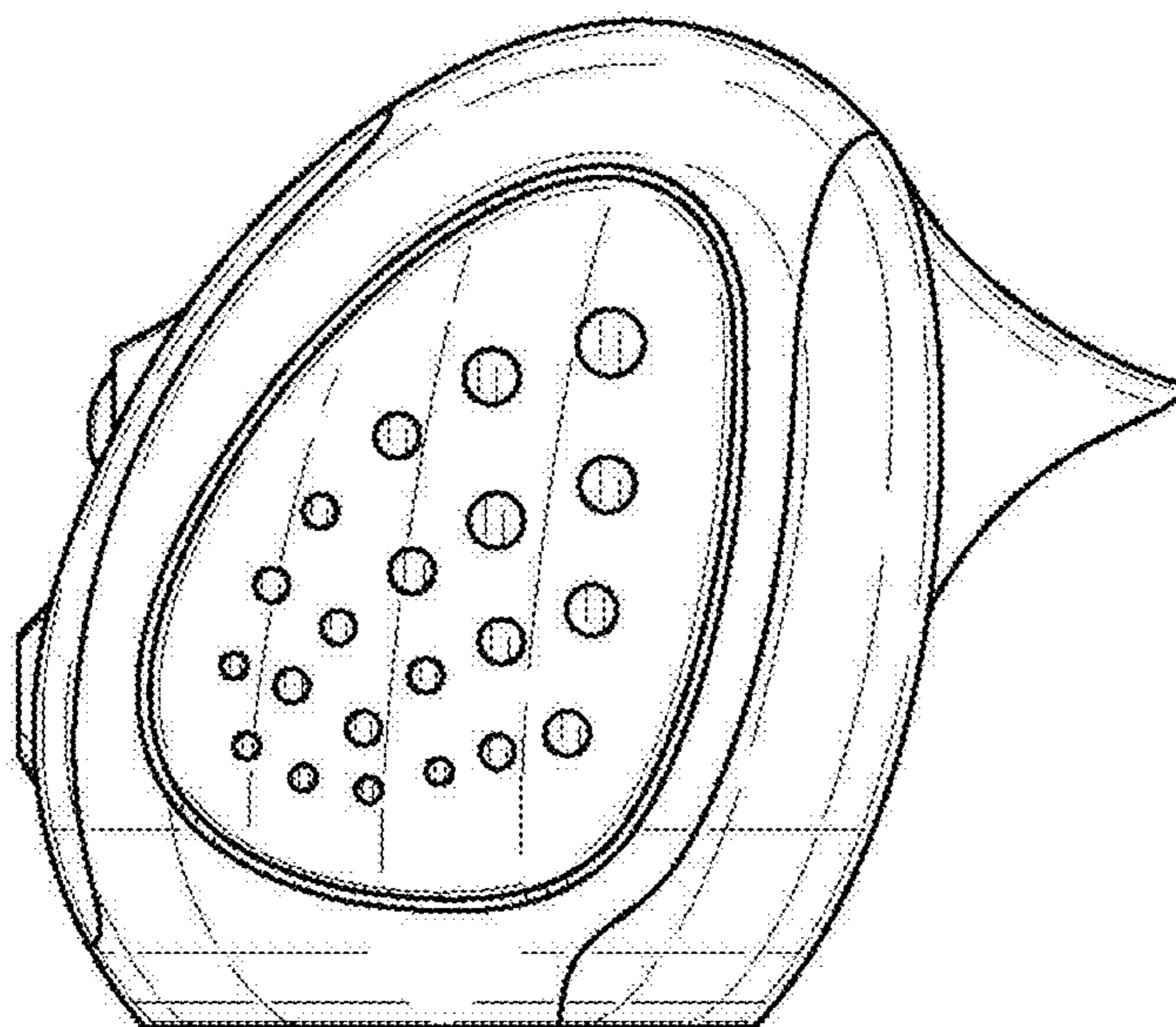
*Fig. 4*



*Fig. 5*



*Fig. 6*



*Fig. 7*